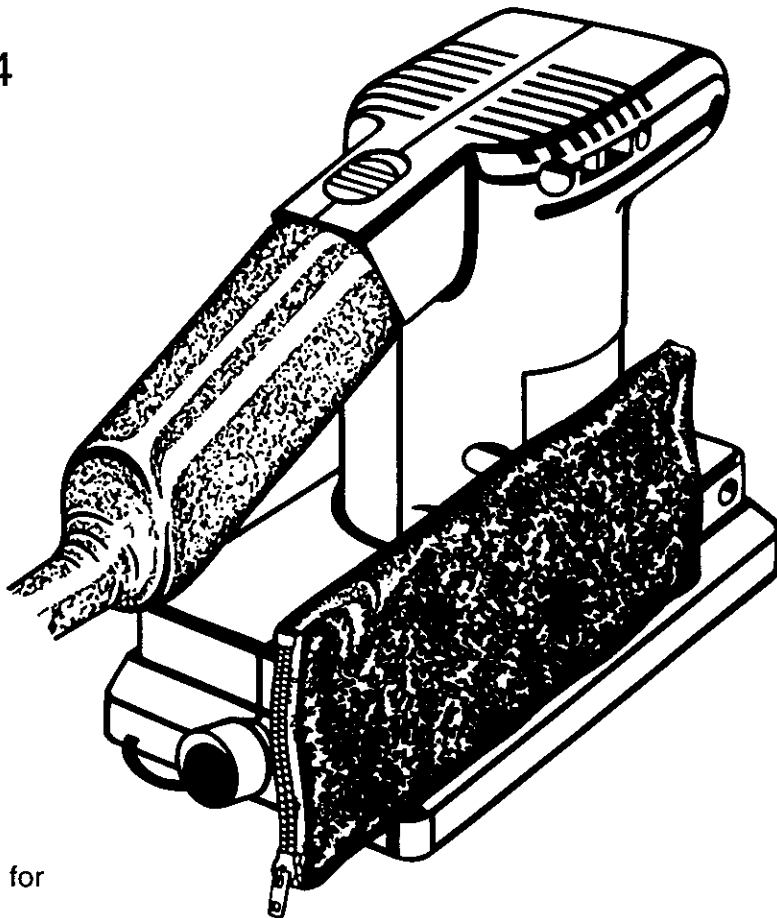


Owner's Manual

CRAFTSMAN®

Dustless Dual Motion Sander Double Insulated

Model No.
315.116164



Save this manual for
future reference

⚠ CAUTION: Read and follow all Safety Rules and Operating Instructions before first use of this product.

Customer Help Line: 1-800-932-3188

Sears, Roebuck and Co., Hoffman Estates, IL 60179 USA
Visit the Craftsman web page: www.sears.com/craftsman

972000-854

8-01

- Safety
- Features
- Operation
- Maintenance
- Parts List



TABLE OF CONTENTS

■ Table Of Contents	2
■ Warranty	2
■ Introduction	2
■ Rules for Safe Operation	3-4
■ Product Specifications	5
■ Unpacking	5
■ Accessories	5
■ Features	6
■ Operation	6-10
■ Maintenance	11
■ Exploded View and Repair Parts List	12-13
■ Parts Ordering / Service	14

WARRANTY

FULL ONE YEAR WARRANTY ON CRAFTSMAN SANDER

If this **CRAFTSMAN** Sander fails to give complete satisfaction within one year from the date of purchase, **RETURN IT TO THE NEAREST SEARS STORE IN THE UNITED STATES**, and Sears will repair it, free of charge.

If this **CRAFTSMAN** Sander is used for commercial or rental purposes, this warranty applies for only 90 days from the date of purchase.

This warranty gives you specific legal rights, and you may also have other rights which vary from state to state.

Sears, Roebuck and Co., Dept. 817WA, Hoffman Estates, IL 60179

INTRODUCTION

Your sander has many features for making sanding operations more pleasant and enjoyable. Safety, performance and dependability have been given top priority in the design of this sander making it easy to maintain and operate.

CAUTION: Carefully read through this entire owner's manual before using your new sander. Pay close attention to the Rules for Safe Operation, Warnings and Cautions. If you use your sander properly and only for what it is intended, you will enjoy years of safe, reliable service.

! Look for this symbol to point out important safety precautions. It means attention!!! Your safety is involved.

! WARNING:



The operation of any sander can result in foreign objects being thrown into your eyes, which can result in severe eye damage. Before beginning power tool operation, always wear safety goggles or safety glasses with side shields and a full face shield when needed. We recommend Wide Vision Safety Mask for use over eyeglasses or standard safety glasses with side shields, available at Sears Retail Stores. Always wear eye protection which is marked to comply with ANSI Z87.1

RULES FOR SAFE OPERATION

The purpose of safety symbols is to attract your attention to possible dangers. The safety symbols, and the explanations with them, deserve your careful attention and understanding. The safety warnings do not by themselves eliminate any danger. The instructions or warnings they give are not substitutes for proper accident prevention measures.

SYMBOL MEANING



SAFETY ALERT SYMBOL:

Indicates danger, warning, or caution. May be used in conjunction with other symbols or pictographs.



DANGER: Failure to obey a safety warning will result in serious injury to yourself or to others. Always follow the safety precautions to reduce the risk of fire, electric shock and personal injury.



WARNING: Failure to obey a safety warning can result in serious injury to yourself or to others. Always follow the safety precautions to reduce the risk of fire, electric shock and personal injury.



CAUTION: Failure to obey a safety warning may result in property damage or personal injury to yourself or to others. Always follow the safety precautions to reduce the risk of fire, electric shock and personal injury.

NOTE: Advises you of information or instructions vital to the operation or maintenance of the equipment.

DOUBLE INSULATION

Double insulation is a concept in safety, in electric power tools, which eliminates the need for the usual three-wire grounded power cord. All exposed metal parts are isolated from internal metal motor components with protecting insulation. Double insulated tools do not need to be grounded.

WARNING: Do not attempt to operate this tool until you have read thoroughly and understand completely all instructions, safety rules, etc. contained in this manual. Failure to comply can result in accidents involving fire, electric shock, or serious personal injury. Save owner's manual and review frequently for continuing safe operation, and instructing others who may use this tool.

READ ALL INSTRUCTIONS

- **KNOW YOUR POWER TOOL.** Read owner's manual carefully. Learn its applications and limitations as well as the specific potential hazards related to this tool.
- **GUARD AGAINST ELECTRICAL SHOCK BY PREVENTING BODY CONTACT WITH GROUNDED SURFACES.** For example; pipes, radiators, ranges, refrigerator enclosures.
- **KEEP GUARDS IN PLACE AND IN WORKING ORDER.**
- **KEEP WORK AREA CLEAN.** Cluttered areas and benches invite accidents.

IMPORTANT

Servicing of a tool with double insulation requires extreme care and knowledge of the system and should be performed only by a qualified service technician. For service we suggest you return the tool to your nearest Sears Store for repair. Always use original factory replacement parts when servicing.

- **AVOID DANGEROUS ENVIRONMENT.** Do not use power tools in damp or wet locations or expose to rain. Keep work area well lit.
- **KEEP CHILDREN AND VISITORS AWAY.** All visitors should wear safety glasses and be kept a safe distance from work area. Do not let visitors contact tool or extension cord.
- **STORE IDLE TOOLS.** When not in use, tools should be stored in a dry and high or locked-up place – out of the reach of children.
- **DO NOT FORCE TOOL.** It will do the job better and safer at the rate for which it was designed.
- **USE RIGHT TOOL.** Don't force small tool or attachment to do the job of a heavy duty tool. Do not use tool for purpose not intended-for example-don't use a circular saw for cutting tree limbs or logs.
- **WEAR PROPER APPAREL.** Do not wear loose clothing or jewelry that can get caught in tool's moving parts and cause personal injury. Rubber gloves and nonskid footwear are recommended when working outdoors. Wear protective hair

RULES FOR SAFE OPERATION (Continued)

covering to contain long hair and keep it from being drawn into nearby air vents.

- **ALWAYS WEAR SAFETY GLASSES.** Everyday eyeglasses have only impact-resistant lenses; they are **not** safety glasses.
- **PROTECT YOUR LUNGS.** Wear a face or dust mask if the operation is dusty.
- **PROTECT YOUR HEARING.** Wear hearing protection during extended periods of operation.
- **DO NOT ABUSE CORD.** Never carry tool by cord or yank it to disconnect from receptacle. Keep cord from heat, oil, and sharp edges.
- **SECURE WORK.** Use clamps or a vise to hold work. It is safer than using your hand and it frees both hands to operate tool.
- **DO NOT OVERREACH.** Keep proper footing and balance at all times. Do not use on a ladder or unstable support. Secure tools when working at elevated positions.
- **MAINTAIN TOOLS WITH CARE.** Keep tools sharp and clean for best and safest performance. Follow instructions for lubricating and changing accessories.
- **DISCONNECT TOOLS.** When not in use, before servicing, or when changing attachments, tools should be disconnected from power supply.
- **REMOVE ADJUSTING KEYS AND WRENCHES.** Form habit of checking to see that keys and adjusting wrenches are removed from tool before turning it on.
- **AVOID ACCIDENTAL STARTING.** Do not carry plugged-in tool with finger on switch. Be sure switch is off when plugging in.
- **MAKE SURE YOUR EXTENSION CORD IS IN GOOD CONDITION.** When using an extension cord, be sure to use one heavy enough to carry the current your product will draw. An undersized cord will cause a drop in line voltage resulting in loss of power and overheating. A wire gage size (A.W.G.) of at least **16** is recommended for an extension cord 100 feet or less in length. A cord exceeding 100 feet is not recommended. If in doubt, use the next heavier gage. The smaller the gage number, the heavier the cord.
- **OUTDOOR USE EXTENSION CORDS.** When tool is used outdoors, use only extension cords suitable for use outdoors. Outdoor approved cords are marked with the suffix **W-A**, for example – **SJTW-A** or **SJOW-A**.
- **NEVER USE THIS OR ANY POWER SANDER FOR WET SANDING OR LIQUID POLISHING.** Failure to comply can result in electrical shock causing serious injury or worse.
- **KEEP HANDS AWAY FROM SANDING AREA.**
- **NEVER USE IN AN EXPLOSIVE ATMOSPHERE.** Normal sparking of the motor could ignite fumes.
- **INSPECT TOOL CORDS PERIODICALLY** and if damaged, have repaired by authorized service facility. Stay constantly aware of cord location.
- **INSPECT EXTENSION CORDS PERIODICALLY** and replace if damaged.
- **KEEP HANDLES DRY, CLEAN, AND FREE FROM OIL AND GREASE.** Always use a clean cloth when cleaning. Never use brake fluids, gasoline, petroleum-based products, or any strong solvents to clean your tool.
- **STAY ALERT AND EXERCISE CONTROL.** Watch what you are doing and use common sense. Do not operate tool when you are tired. Do not rush.
- **CHECK DAMAGED PARTS.** Before further use of the tool, a guard or other part that is damaged should be carefully checked to determine that it will operate properly and perform its intended function. Check for alignment of moving parts, binding of moving parts, breakage of parts, mounting and any other conditions that may affect its operation. A guard or other part that is damaged should be properly repaired or replaced by an authorized service center.
- **DO NOT USE TOOL IF SWITCH DOES NOT TURN IT ON AND OFF.** Have defective switches replaced by an authorized service center.
- **INSPECT FOR** and remove all nails from lumber before sanding.
- **DO NOT** operate this tool while under the influence of drugs, alcohol, or any medication.
- **POLARIZED PLUGS.** To reduce the risk of electric shock, this tool has a polarized plug (one blade is wider than the other). This plug will fit in a polarized outlet only one way. If the plug does not fit fully in the outlet, reverse the plug. If it still does not fit, contact a qualified electrician to install the proper outlet. Do not change the plug in any way.
- **WHEN SERVICING USE ONLY IDENTICAL CRAFTSMAN REPLACEMENT PARTS.**
- **SAVE THESE INSTRUCTIONS.** Refer to them frequently and use them to instruct others who may use this tool. If you loan someone this tool, loan them these instructions also.

SAVE THESE INSTRUCTIONS

RULES FOR SAFE OPERATION

⚠ WARNING: Some dust created by power sanding, sawing, grinding, drilling, and other construction activities contains chemicals known to cause cancer, birth defects or other reproductive harm. Some examples of these chemicals are:

- lead from lead-based paints,
- crystalline silica from bricks and cement and other masonry products, and

- arsenic and chromium from chemically-treated lumber.

Your risk from these exposures varies, depending on how often you do this type of work. To reduce your exposure to these chemicals: work in a well ventilated area, and work with approved safety equipment, such as those dust masks that are specially designed to filter out microscopic particles.

PRODUCT SPECIFICATIONS

Sanding Pad	1/2 sheet	Rating	120 Volts, 60 Hz, AC
No Load Speed	4,000 opm	Input	4.0 Amperes
Motion	Dual	Paper Type	Non-Adhesive Sandpaper Adhesive Sandpaper

UNPACKING

Your sander has been shipped completely assembled except for the dust bag. Inspect it carefully to make sure no breakage or damage has occurred during shipping. If any parts are damaged or missing, contact your nearest Sears Retail Store to obtain replacement parts before attempting to operate sander. The dust bag and this owner's manual are also included in the box.

⚠ WARNING: If any parts are missing, do not operate this tool until the missing parts are replaced. Failure to do so could result in possible serious personal injury.

ACCESSORIES

The following recommended accessories are currently available at Sears Retail Stores.

NO-FIL ALUMINUM OXIDE CUT SHEETS (4-1/2 in. x 11 in.)

- Item No. 9-28250 – Extra Fine
- Item No. 9-28251 – Fine
- Item No. 9-28252 – Medium
- Item No. 9-28253 – Coarse

NO-FIL ALUMINUM OXIDE PRESSURE-SENSITIVE ADHESIVE BACKED SHEETS (4-1/2 in. X 9-1/8 in.)

- Item No. 9-28255 – Extra Fine
- Item No. 9-28256 – Fine
- Item No. 9-28257 – Medium
- Item No. 9-28258 – Coarse

DUSTLESS SANDING ATTACHMENT

- Item No. 9-11766

⚠ WARNING: The use of attachments or accessories not listed might be hazardous.

SANDPAPER SELECTION

Selecting the correct size grit and type sandpaper is an extremely important step in achieving a high quality sanded finish. Aluminum oxide, silicon carbide, and other synthetic abrasives are best for power sanding. Natural abrasives, such as flint and garnet are too soft for economical use in power sanding.

In general, coarse grit will remove the most material and finer grit will produce the best finish in all sanding operations. The condition of the surface to be sanded will determine which grit will do the job. If the surface is rough, start with a coarse grit and sand until the surface is uniform. Medium grit may then be used to remove scratches left by the coarser grit and finer grit used for finishing of the surface. Always continue sanding with each grit until surface is uniform.

FEATURES

KNOW YOUR SANDER

See Figure 1.

Before attempting to use your sander, familiarize yourself with all operating features and safety requirements.

⚠ WARNING: If any parts are missing do not operate your sander until the missing parts are replaced. Failure to do so could result in possible serious injury.

Your sander is suitable for sanding with coarse, medium, and fine grit sandpaper. It will produce a fine scratch free finish when used to sand with the grain on wood surfaces. It has also been designed so that sanding flush to corners is possible.

SWITCH

This tool is equipped with a slide switch located on the rear handle of your sander. To turn sander **ON**, slide the switch forward as shown in Figure 1. Slide the switch back to turn your sander **OFF**. Be sure sander switch is in **OFF** position before connecting to power supply source.

ELECTRICAL CONNECTION

Your sander has a precision built electric motor. It should be connected to a **power supply that is 120 volts, 60 Hz, AC only (normal household current)**. Do not operate this tool on direct current (DC). A substantial voltage drop will cause a loss of power and the motor will overheat. If your tool does not operate when plugged into an outlet, double-check the power supply.

⚠ WARNING: Do not allow familiarity with your sander to make you careless. Remember that a careless fraction of a second is sufficient to inflict severe injury.

APPLICATIONS

(Use only for the purposes listed below)

- Sanding on wood surfaces.
- Removing rust from and sanding steel surfaces.

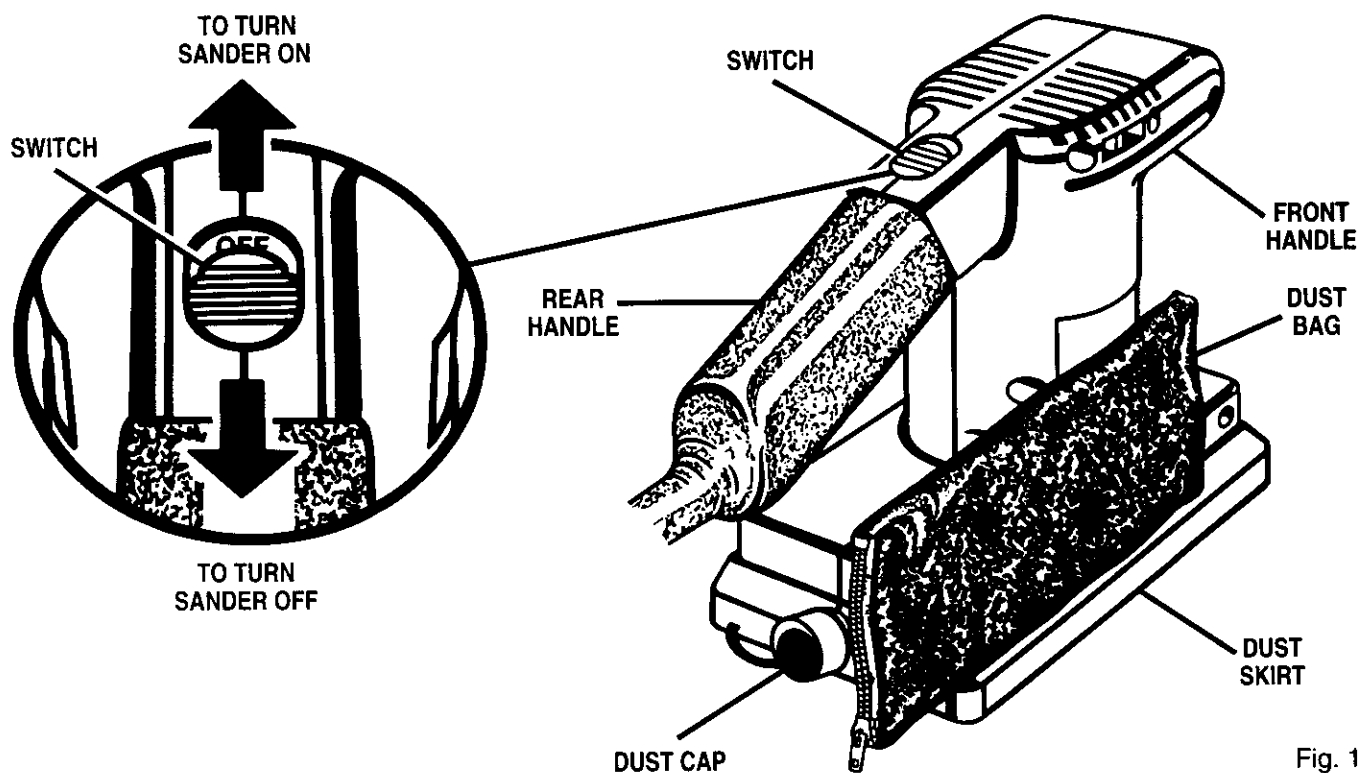


Fig. 1

OPERATION

⚠ WARNING: Your sander should never be connected to power supply when you are assembling parts, making adjustments, assembling or replacing sandpaper, cleaning, or when not in use. Disconnecting your sander will prevent accidental starting that could cause serious personal injury.

OPERATION

INSTALLING SANDPAPER

See Figures 2 and 3.

The cushion on your sander gives you the option of using either non-adhesive sandpaper that clamps to the platen; or adhesive backed sandpaper with pressure sensitive adhesive backing that sticks to the cushion.

INSTALLING NON-ADHESIVE SANDPAPER

See Figure 2.

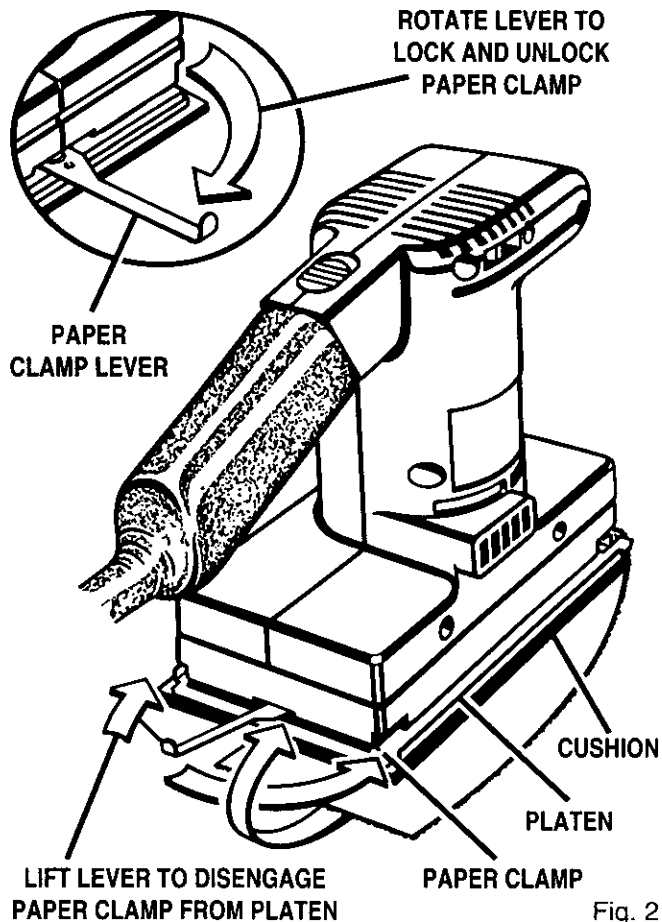


Fig. 2

- Unplug your sander.

⚠ WARNING: Failure to unplug your sander could result in accidental starting causing possible serious personal injury.

- Remove dust skirt. (See Removing Dust Skirt, page 9).
- Release paper clamp by rotating lever out as shown in figure 2 and lifting up, disengaging it from the platen.
- Insert end of new 1/2 sheet sandpaper approximately 1/2 in. under the paper clamp.
- Release lever and rotate into lock position. Apply downward pressure to conform sandpaper to cushion.

- Wrap sandpaper around cushion. Rotate lever on the opposite end of your sander out and lift up; insert loose end of sandpaper under the paper clamp; then release lever and rotate into lock position. **Note:** Fit sandpaper against cushion as tight as possible.

INSTALLING ADHESIVE SANDPAPER

See Figure 3.

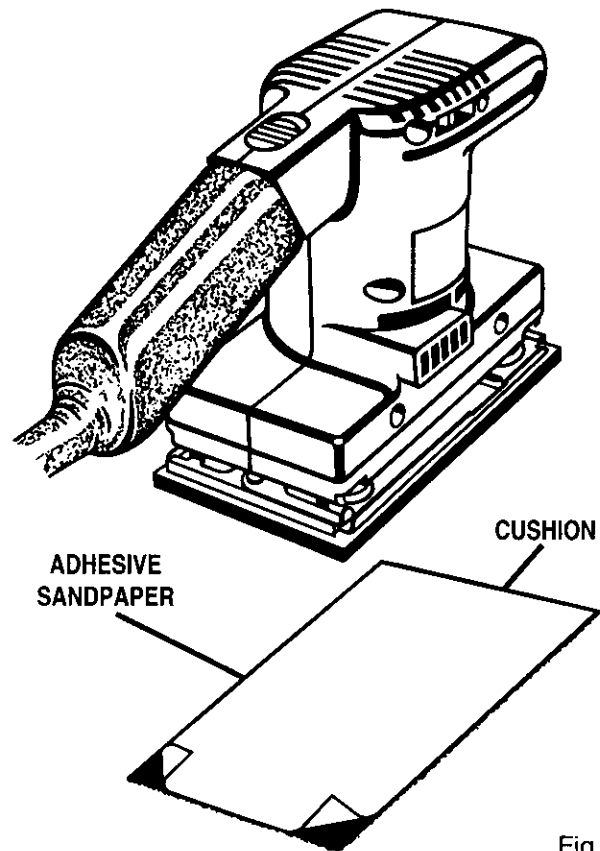


Fig. 3

- Unplug your sander.

⚠ WARNING: Failure to unplug your sander could result in accidental starting causing possible serious personal injury.

- If replacing adhesive sandpaper, remove old sandpaper by peeling it off cushion. If removing regular sandpaper, release paper clamp by rotating lever out and lifting up, disengaging it from the platen. Then remove non-adhesive paper, release lever, and rotate it to lock position.
- Carefully peel paper backing from new 1/2 sheet adhesive type sandpaper.
- Position sandpaper into place, then carefully press sticky side of sandpaper on cushion.

Note: It is recommended that you clean cushion occasionally by brushing lightly with a small brush. Dust build-up on cushion could cause sandpaper to not stick properly.

OPERATION

REMOVING SANDPAPER BEFORE STORAGE

Do not store your sander with pressure sensitive adhesive sandpaper installed. Heat generated from sanding causes the pressure sensitive adhesive to flow and form a tight bond between the cushion and sandpaper.

Removing the sandpaper soon after you have finished a sanding operation avoids letting the adhesive set up. If the sandpaper is left on the cushion for an extended period of time after use, the adhesive will set up and cause the sandpaper to become difficult to remove.

It may also tear when removing. When this situation occurs, it becomes difficult to clean the cushion for the next piece of sandpaper.

Note: If you forget to remove the sandpaper after a sanding operation, sand for a few minutes to soften the adhesive backing before attempting to remove sandpaper.

MOTION SELECTION

The dual motion feature of your sander provides required motion for any sanding application. The readily accessible slide lever makes motion setting changes quick and easy. See Figure 4.

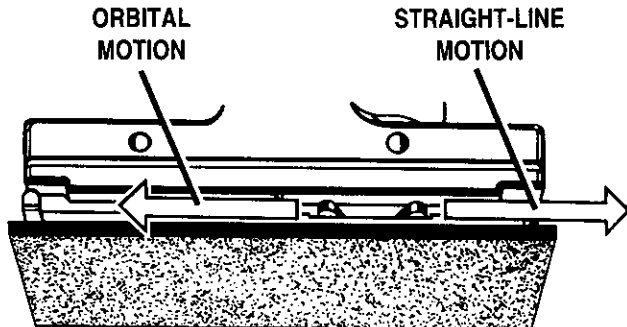


Fig. 4

If your particular requirement is fast cutting action for removing old finishes, smoothing rough wood, cutting stock down to required dimensions or for sanding of surfaces to be painted, orbital motion is best suited. See Figure 5.

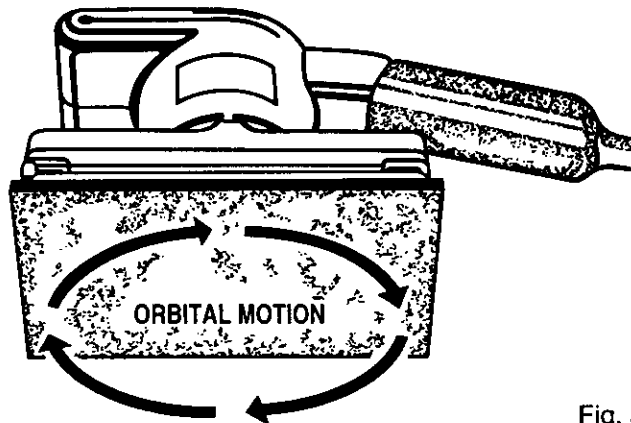


Fig. 5

For the finish sanding on work to be stained or varnished, straight-line motion is ideal. See Figure 6.

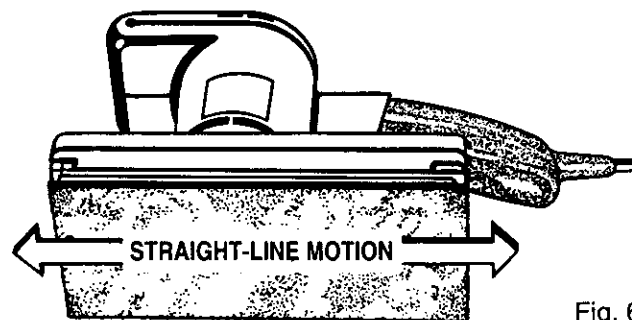


Fig. 6

SETTING MOTION

- Unplug your sander.

⚠ WARNING: Failure to unplug your sander could result in accidental starting causing possible serious personal injury.

- Do not change motion setting while you are operating your sander.
- For straight-line motion, slide lever forward as shown in Figure 4.
- For orbital motion, slide lever backwards as shown in Figure 4.

Note: There is a decal on the side of your sander which indicates correct motion settings.

OPERATION

ATTACHING DUST BAG

See Figure 7.

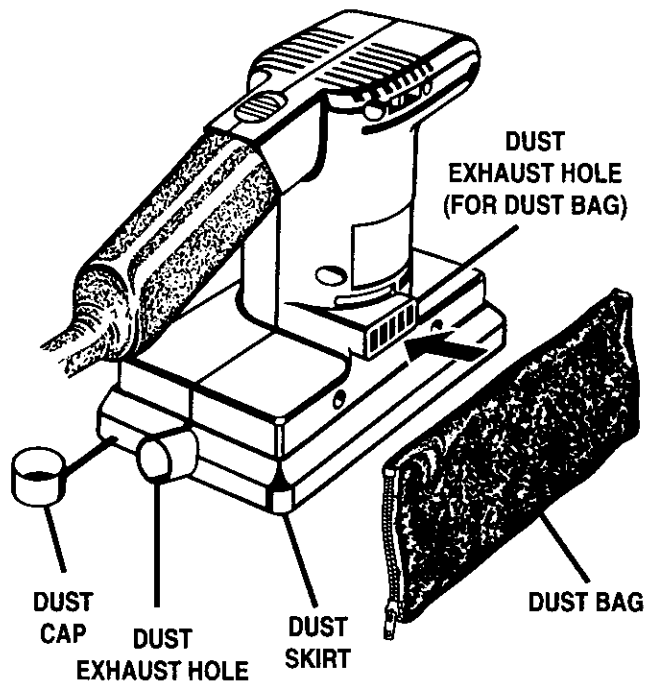


Fig. 7

WARNING: To prevent the possibility of sanding dust or foreign objects being thrown into your face or eyes, never attempt to use your sander without the dust bag properly installed. Sanding dust or foreign objects being thrown into your face could result in possible serious personal injury.

■ Unplug your sander.

WARNING: Failure to unplug your sander could result in accidental starting causing possible serious personal injury.

■ Place opening in dust bag retainer over dust exhaust hole and secure into position.
See Figure 7.

■ Your sander is now ready for operation using the built-in dust collection system. **Note:** For more efficient operation, empty dust bag when half full. This will permit the air to flow through the bag better.

■ To remove dust bag, simply grasp dust bag retainer and pull away from sander.

REMOVING DUST SKIRT

Your tool comes packed with the dust skirt installed. However, if desired, your sander can be operated without the dust skirt.

■ Unplug your sander.

WARNING: Failure to unplug your sander could result in accidental starting causing possible serious personal injury.

■ Remove dust bag from sander.

■ Remove dust cap from hole on rear of dust skirt.

■ Carefully spread dust skirt apart and remove from sander.

■ To replace, reverse the above procedure.

Note: Be sure to fit dust skirt in groove on motor housing and replace dust cap on rear of dust skirt.

A dustless Sanding Attachment Kit is available from your nearest Sears Catalog Order Store.

ATTACHING TO VACUUM CLEANER

■ Unplug your sander.

WARNING: Failure to unplug your sander could result in accidental starting causing possible serious personal injury.

■ Remove dust cap from hole on rear of dust skirt.
See Figure 7.

■ Snugly attach vacuum hose adapters to vacuum hose.

■ Connect the pickup adapter end of your hose to dust exhaust hole, located on rear of dust skirt.
See Figure 7.

■ Connect the vac adapter end of the hose to your vacuum cleaner.

WARNING: Before connecting your sander to power supply source, always check to be sure the switch is not in **ON** position. Failure to do so could result in accidental starting of your sander resulting in possible serious injury.

OPERATION

PREPARING FOR OPERATION

⚠ WARNING: Do not wear loose clothing or jewelry when operating sander. They could get caught in moving parts causing serious injury. Keep head away from sander and sanding area. Hair could be drawn into sander causing serious injury.

For ease of operation, your sander has both a front handle and rear handle. This provides for two-hand operation, which is necessary in order to maintain proper control of your sander and keep both hands clear of the sandpaper and sanding area. When operating your sander, always use both hands as shown in figure 8.

⚠ CAUTION: Be careful not to let your hand cover the air vents.

SANDING

See Figure 8.

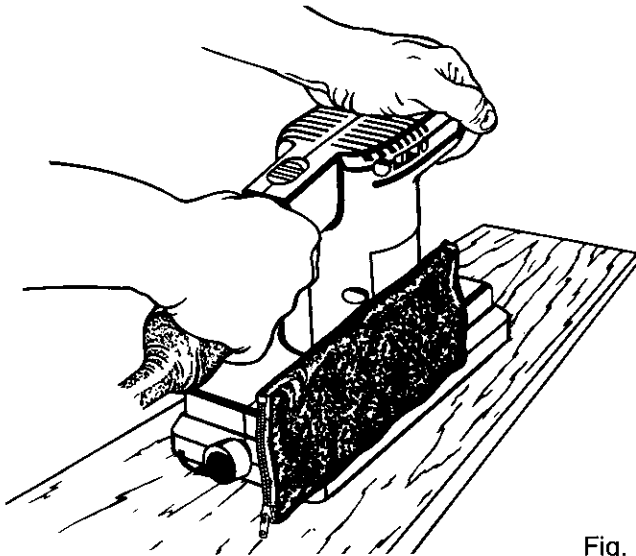


Fig. 8

Clamp or otherwise secure the work to prevent it from moving under your sander.

⚠ WARNING: Unsecured work could be thrown towards the operator causing injury.

Hold the tool in front and away from you, keeping your sander clear of the workpiece. Start your sander by sliding the switch to the **ON** position and let the motor build to its maximum speed. Gradually lower your sander on the work with a slight forward motion. See Figure 8. Move it slowly, using forward and backward strokes.

Do not force. The weight of the unit supplies adequate pressure, so let the sanding sheet and sander do the work. Applying additional pressure only slows the motor, rapidly wears sandpaper and greatly reduces sander speed. Excessive pressure will overload the motor causing possible damage from motor overheating and can result in inferior work. Any finish or resin on wood may soften from the frictional heat. Do not allow sanding on one spot too long as the sander's rapid action may remove too much material, making the surface uneven.

Flush sanding can be performed with your sander. Every side except the rear of your sander can be used when sanding in corners. Always remove sander from workpiece before turning your sander off.

MAINTENANCE

⚠ WARNING: When servicing use only identical Craftsman replacement parts. Use of any other parts may create a hazard or cause product damage.

GENERAL

Only the parts shown on parts list, page 13, are intended to be repaired or replaced by the customer. All other parts represent an important part of the double insulation system and should be serviced only by a qualified Sears service technician.

Avoid using solvents when cleaning plastic parts. Most plastics are susceptible to damage from various types of commercial solvents and may be damaged by their use. Use clean cloths to remove dirt, carbon dust, etc.

⚠ WARNING: Do not at any time let brake fluids, gasoline, petroleum-based products, penetrating oils, etc. come in contact with plastic parts. They contain chemicals that can damage, weaken, or destroy plastic.

It has been found that electric tools are subject to accelerated wear and possible premature failure when they are used on fiberglass boats, sports cars, wallboard, spackling compounds, or plaster. The chips and grindings from these materials are highly abrasive to electric tool parts such as bearings, brushes, commutators, etc. Consequently, it is not recommended that this tool be used for extended work on any fiberglass material, wallboard, spackling compounds, or plaster. During any use on these materials it is extremely important that the tool is cleaned frequently by blowing with an air jet.

EXTENSION CORDS

The use of any extension cord will cause some loss of power. To keep the loss to a minimum and to prevent tool from overheating, use an extension cord that is heavy enough to carry the current the tool will draw.

A wire gage size (A.W.G.) of at least **16** is recommended for an extension cord 100 feet or less in length. When working outdoors, use an extension cord that is suitable for outdoor use. The cord's jacket will be marked **WA**.

⚠ CAUTION: Keep extension cords away from the sanding area and position the cord so that it will not get caught on lumber, tools, etc., during sanding.

⚠ WARNING: Check extension cords before each use. If damaged replace immediately. Never use tool with a damaged cord since touching the damaged area could cause electrical shock resulting in serious injury.

Extension cords suitable for use with your sander are available at your nearest Sears Retail Store.

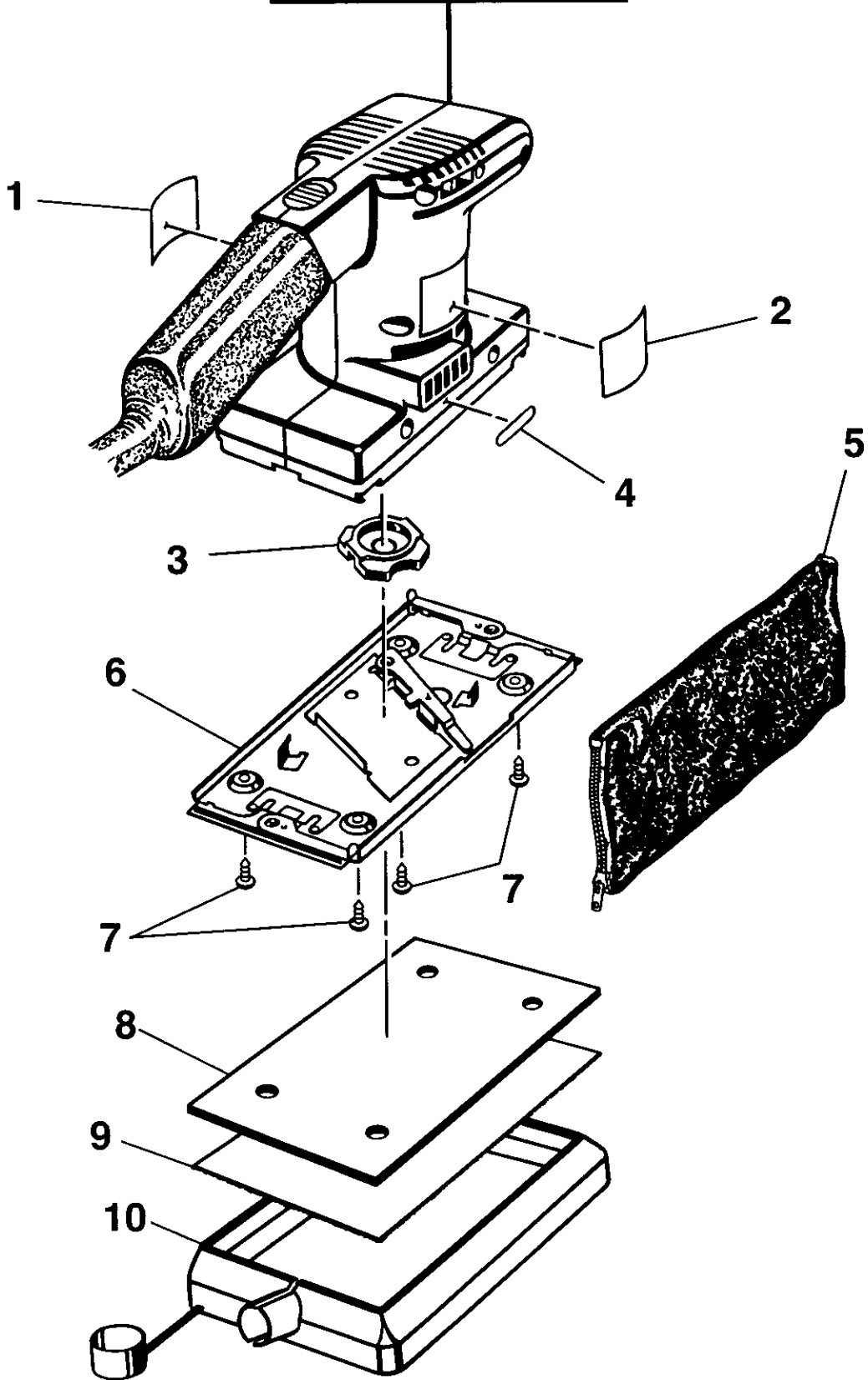
⚠ WARNING: Always wear safety goggles or safety glasses with side shields during power tool operation or when blowing dust. If operation is dusty, also wear a dust mask.

LUBRICATION

All of the bearings in this tool are lubricated with a sufficient amount of high grade lubricant for the life of the unit under normal operating conditions. Therefore, no further lubrication is required.

CRAFTSMAN SANDER – MODEL NUMBER 315.116164

SEE NOTE "A" PAGE 13



CRAFTSMAN SANDER – MODEL NO. 315.116164

The model number will be found on a plate attached to the motor housing. Always mention the model number in all correspondence regarding your **SANDER** or when ordering repair parts.

SEE BACK PAGE FOR PARTS ORDERING INSTRUCTIONS

PARTS LIST

Key No.	Part Number	Description	Quan.
1	981707-001	Logo Plate	1
2	982589-001	Data Plate	1
3	999160-001	Bearing Block	1
4	967302-001	Motion Selection Decal	1
5	979698-001	Dust Bag	1
6	968659-001	Platen Assembly	1
7	999162-001	* Screw (#10-32 x 3/8 in. Pan Hd.)	4
8	998911-002	Cushion	1
9	***	Sandpaper	1
10	999145-001	Dust Skirt	1
	972000-854	Owner's Manual	

NOTE: "A" – The assembly shown represents an important part of the Double Insulated System. To avoid the possibility of alteration or damage to the system, service should be performed by your nearest Sears Repair Center. Contact your nearest Sears Retail Store for Service Center information.

* Standard Hardware Item – May Be Purchased Locally

*** Complete Assortment Available At Your Nearest Sears Retail Store

Get it fixed, at your home or ours!

For repair of major brand appliances **in your own home...**
no matter who made it, no matter who sold it!

1-800-4-MY-HOMESM Anytime, day or night
(1-800-469-4663)

www.sears.com

To bring in products such as vacuums, lawn equipment and electronics
for repair, call for the location of your nearest **Sears Parts & Repair Center.**

1-800-488-1222 Anytime, day or night

www.sears.com

For the replacement parts, accessories and owner's manuals
that you need to do-it-yourself, call **Sears PartsDirectSM!**

1-800-366-PART 6 a.m. – 11 p.m. CST,
(1-800-366-7278) 7 days a week

www.sears.com/partsdirect

To purchase or inquire about a Sears Service Agreement:

1-800-827-6655

7 a.m. – 5 p.m. CST, Mon – Sat.

Para pedir servicio de reparación a domicilio,
y para ordenar piezas con entrega a domicilio:

1-888-SU-HOGARSM
(1-888-784-6427)

Au Canada pour service en français:

1-877-LE-FOYERSM
(1-877-533-6937)

