

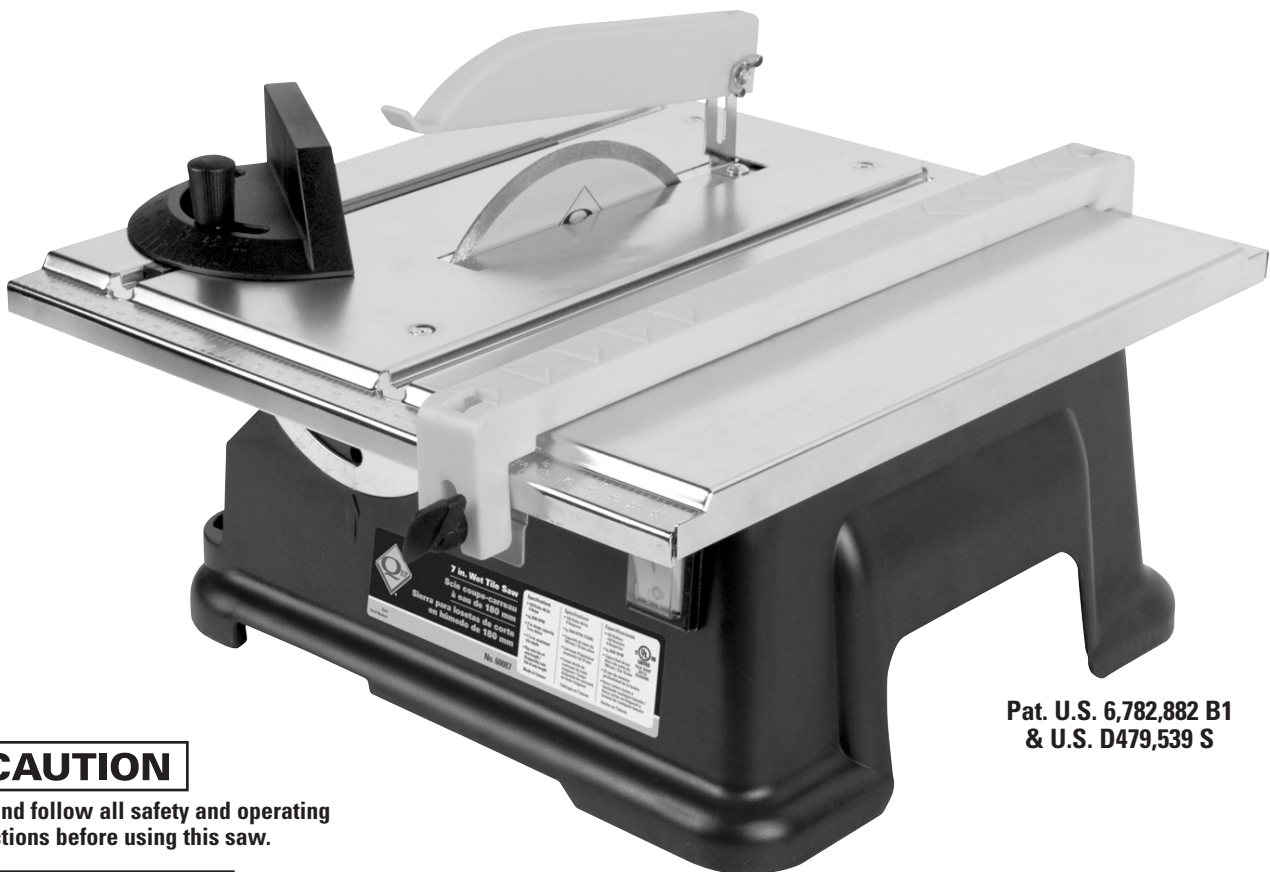


No. 60087

# 7 in. Wet Tile Saw **OWNER'S MANUAL**

## Scie coupe-carreau à eau de 180 mm **MANUEL D'UTILISATION**

## Sierra para losetas de corteen húmedo de 180 mm **MANUAL DE OPERACIÓN**



Pat. U.S. 6,782,882 B1  
& U.S. D479,539 S

### **CAUTION**

Read and follow all safety and operating instructions before using this saw.

### **ATTENTION**

Lire et suivre toutes les directives de sécurité et d'opération avant d'utiliser cette scie.

### **ATENCIÓN**

Lea y siga todas las instrucciones de funcionamiento y seguridad antes de usar esta sierra.





# 7 in. Wet Tile Saw

## Scie coupe-carreau à eau de 180 mm

### Sierra para losetas de corteen húmedo de 180

No. 60087

#### TABLE OF CONTENTS

Safety Instructions for Tile Saw.....3  
Warning.....4  
California Proposition 65.....4  
Electrical Requirements.....4  
Grounding Instructions.....5  
Safety Guidelines.....6  
Features of the Tile Saw.....7  
Assembly and Set Up.....7  
Electrical and Motor Specifications.....9  
Blade Removal Instructions.....9  
Troubleshooting.....9  
Parts List.....10  
Exploded View.....11

#### TABLE DES MATIÈRES

Instructions de sécurité pour les scies à carreaux.....12  
Avertissement.....13  
Proposition 65 de la Californie.....13  
Exigences électriques.....13  
Instructions de mise à la terre.....14  
Directives de sécurité.....15  
Caractéristiques de la scies à carreaux.....16  
Assemblage et installation.....16  
Spécifications – électrique et moteur ....18  
Instructions pour retirer la lame.....18  
Dépannages.....19  
Liste de pièces.....19  
Vue éclatée.....20

#### CONTENIDO

Instrucciones de seguridad de la sierra para losetas.....21  
Advertencia.....22  
Proposición 65 de California.....22  
Requerimientos eléctricos.....23  
Instrucciones para Conexión a tierra.....24  
Pautas de seguridad.....25  
Características de la sierra para losetas.....25  
Armado e instalación.....26  
Especificaciones eléctricas y del motor.....28  
Instrucciones para retirar el disco.....28  
Localización de averías.....28  
Lista de partes.....29  
Despiezado.....30

#### LIMITED WARRANTY

Refer to warranty card.

#### GARANTIE LIMITÉE

Faire référence à la carte de garantie.

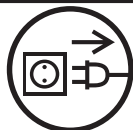
#### GARANTIA LIMITADA

Referirse a la tarjeta de garantia.

#### ! WARNING

For your own safety, read instruction manual before operating saw.

1. Always wear safety goggles when cutting.
2. Use splash hood for every operation for which it can be used.
3. Disconnect saw before cleaning or changing blade.
4. Do not use any cutting blade with openings and grooves. Use only continuous rim blades.
5. Replace damaged blade before operating.
6. Do not expose to rain or use in damp locations.



#### ! AVERTISSEMENT

Pour assurer votre sécurité, lisez le mode d'emploi avant d'utiliser le coupeur.

1. Toujours porter des lunettes protectrices pendant la coupe.
2. Utiliser le pare-éclaboussure pour chaque opération dont il peut être utilisé.
3. Débrancher l'outil avant de le nettoyer ou de changer les roues.
4. Ne pas utiliser des roues à couper avec des trous ou creux. Utiliser seulement des roues à couper lisses.
5. Remplacer les roues à couper endommagés avant de faire fonctionner l'outil.
6. Ne pas exposer à la pluie ou utiliser dans des endroits humides

#### ! ADVERTENCIA

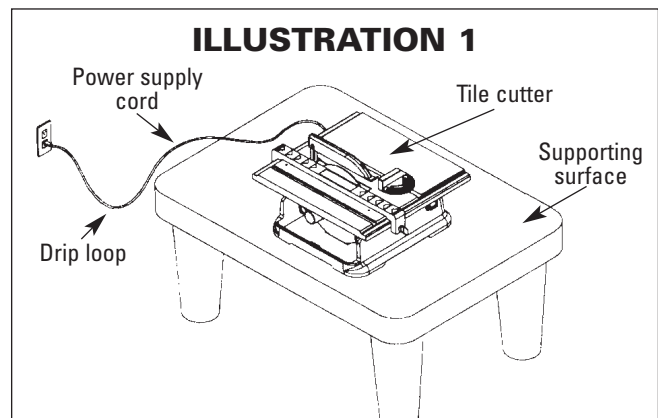
Lee esta instrucción manual antes de usar la sierra para tu bien.

1. Siempre utilice gafas de protección al cortar.
2. Utilice una capota de protección para cada operación en la cual la puede utilizar.
3. Desconectar la sierra antes de limpiarla o antes de cambiar el disco de corte.
4. No utilice ningún disco de corte que tenga aperturas o ranuras. Solamente utilice discos de corte lisos.
5. Reemplace el disco de corte cuando esté dañado.
6. No la exponga a la lluvia o no la utilice en áreas húmedas.

# SAFETY INSTRUCTIONS FOR TILE SAW

**⚠ WARNING** *READ THIS OWNER'S MANUAL COMPLETELY AND MAKE SURE YOU UNDERSTAND ALL OF IT'S SAFETY GUIDELINES.*

1. **KEEP GUARDS IN PLACE** and in working order.
2. **REMOVE ADJUSTING KEYS AND WRENCHES.** Form habit of checking to see that keys and adjusting wrenches are removed from tool before turning it on.
3. **KEEP WORK AREA CLEAN.** Cluttered areas and benches invite accidents.
4. **DON'T USE IN A DANGEROUS ENVIRONMENT.** Don't use power tools in damp or wet locations or expose them to rain. Keep work area well lighted.
5. **KEEP CHILDREN AWAY.** All visitors should remain at a safe distance from work area.
6. **MAKE WORKSHOP CHILD-PROOF** with padlocks, master switches or by removing starter keys.
7. **USE RIGHT TOOL.** Don't force tool or attachment to do a job for which it was not designed.
8. **DON'T FORCE TOOL.** It has been designed to operate at maximum safety and performance levels.
9. **WEAR PROPER APPAREL.** Do not wear loose clothing, neckties, rings, bracelets or other jewelry which may get caught in moving parts. Non-slip foot wear is recommended. Wear protective hair covering if you have long hair.
10. **ALWAYS USE SAFETY GLASSES.** Also use face or dust mask for commercial cutting operations. Everyday eyeglasses only have impact-resistant lenses, they are **NOT** safety glasses.
11. **SECURE WORK.** Use clamps or a vise instead of your hand to hold work when practical. This safety precaution allows for proper tool operation using both hands.
12. **DON'T OVERREACH.** Keep proper footing and balance at all times.
13. **MAINTAIN TOOLS WITH CARE.** Keep tools clean and in good working condition for maximum safety performance. Follow instructions for lubricating and changing accessories.
14. **DISCONNECT TOOLS BEFORE SERVICING** – when changing accessories, such as blades, bits, cutters, etc.
15. **REDUCE THE RISK OF UNINTENTIONAL STARTING.** Make sure switch is in OFF position before plugging in.
16. **USE RECOMMENDED ACCESSORIES.** Consult the owner's manual for recommended accessories. The use of improper accessories may increase risk of injury.
17. **NEVER STAND ON TOOL.** Serious injury could occur if the tile saw is tipped or if the cutting tool is unintentionally contacted.
18. **CHECK DAMAGED PARTS.** Before further use of the tool, damaged part(s), (i.e. guard) should be carefully checked to determine that it will operate properly and perform its intended function. Check for alignment of moving parts, binding of moving parts, breakage of parts, mounting and any other conditions that may affect the saw's operation. A guard or other part that is damaged should be properly repaired or replaced.
19. **DIRECTION OF FEED.** Feed work into the blade against the direction of rotation of the blade only.
20. **NEVER LEAVE TOOL RUNNING UNATTENDED.** TURN POWER OFF. Don't leave tool until it comes to a complete stop.
21. **POSITIONING OF TILE SAW** (See Illustration 1)
  - A. To avoid the possibility of the appliance plug or receptacle getting wet position the tile saw to one side of a wall-mounted receptacle to prevent water from dripping onto the receptacle or plug. The user should arrange a "drip loop" in the cord connecting the saw to a receptacle. The "drip loop" is that part of the cord below the level of the receptacle, or connector if an extension cord is used, to prevent water traveling along the cord and coming in contact with the receptacle.



B. If the plug or receptacle does get wet, **DO NOT** unplug the cord. Disconnect the fuse or circuit breaker that supplies power to the tool. Then, unplug and examine for presence of water in the receptacle.

---

**▲ WARNING** *FOR YOUR OWN SAFETY READ INSTRUCTION MANUAL BEFORE OPERATING SAW.*

- Wear eye protection.
  - Use splash hood for every operation for which it can be used.
  - Disconnect saw before servicing, when changing cutting wheels, and cleaning.
  - Use tool only with smooth edge cutting wheels free of openings and grooves.
  - Replace damaged cutting wheel before operating.
  - Do not fill water bath above water fill line.
- 

## **CALIFORNIA PROPOSITION 65**

**▲ WARNING** *SOME DUST CREATED BY POWER SANDING, SAWING, GRINDING, DRILLING AND OTHER CONSTRUCTION ACTIVITIES CONTAIN CHEMICALS KNOWN TO THE STATE OF CALIFORNIA TO CAUSE CANCER, BIRTH DEFECTS OR OTHER REPRODUCTIVE HARM.*

Some examples of these chemicals are:

- Lead from lead-based paints,
- Crystalline silica from bricks and cement and other masonry products, and,
- Arsenic and chromium from chemically-treated lumber.

Your risk from these exposures varies, depending on how often you do this type of work. To reduce your exposure to these chemicals: work in well ventilated area, and work with approved safety equipment, such as those dust masks that are specifically designed to filter out microscopic particles.

---

## **ELECTRICAL REQUIREMENTS**

### **CONNECTING TOOL TO POWER SOURCE OUTLET**

- This machine source must be grounded while in use to protect the operator from electrical shock.
- In the event of a malfunction or breakdown, grounding provides a path of least resistance for electrical current to reduce the risk of electrical shock. The tool is equipped with an electric cord having equipment grounding conductor and a grounding plug. The plug must be plugged into a matching outlet that is properly installed and grounded in accordance with all local codes and ordinances.
- Do not modify the plug provided if it will not fit the outlet. Have the proper outlet installed by a qualified electrician.
- Improper connection of the equipment-grounding conductor can result in a risk of electric shock. The conductor with insulation having an outer surface that is green (with or without yellow stripes) is the equipment – grounding conductor to a live terminal.
- Check with a qualified electrician or service personnel if the grounding instructions are not completely understood, or if in doubt as to whether the tool is properly grounded.
- Use only 3-wire extension cords that have 3-prong grounding plugs and 3-pole receptacles that accept the tool's plug.
- Repair or replace damaged or worn cord immediately.

- To avoid the possibility of the appliance plug or receptacle getting wet, position tile saw to one side of a wall mounted receptacle to prevent water from dripping onto the receptacle or plug. The user should arrange a “drip loop” in the cord connecting the saw to a receptacle. The “drip loop” is that part of the cord below the level of the receptacle, or the connector if an extension cord is used, to prevent water traveling along the cord and coming in contact with the receptacle.
- If the plug or receptacle does get wet, DO NOT unplug the cord. Disconnect the fuse or circuit breaker that supplies power to the tool. Then unplug and examine for presence of water in the receptacle.
- Only UL Listed extension cords should be used with this product.
- Improper use of extension cords may cause inefficient operation of your tool, which can result in overheating. Be sure your extension cord is rated to allow sufficient current flow to the motor. For the proper gauge for your tool, see chart.
- Do not let your fingers touch the terminals of plug when installing or removing the plug to or from the outlet.
- If not properly grounded, this power tool can incur the potential hazard of electrical shock particularly when used in damp locations or in proximity to plumbing. If an electrical shock occurs, there is the potential of secondary hazard such as your hands contacting the saw blade.

Extension cords

1. Use only extension cords that are intended for outdoor use. These extension cords are identified by a marking “Acceptable for use with outdoor appliances; store indoors while not in use.” Use only extension cords having an electrical rating not less than the rating of the product. Do not use damaged extension cords. Examine extension cord before using and replace if damaged. Do not abuse extension cords and do not yank on any cord to disconnect. Keep cord away from heat and sharp edges. Always disconnect the extension cord from the receptacle before disconnecting the product from the extension cord.
2. WARNING – to reduce the risk of electrocution, keep all connections dry and off the ground. Do not touch plug with wet hands.
3. Ground Fault Circuit Interrupter (GFCI) protection should be provided on the circuit(s) or outlet(s) to be used for the tile saw. Receptacles are available having built-in GFCI protection and may be used for this measure of safety.

**TABLE 1**

Ampere Rating		Volts		Total length of cord in feet		
		120 V 240 V	25 ft. 50 ft.	50 ft. 100 ft.	100 ft. 200 ft.	150 ft. 300 ft.
More Than	Not More Than	AWG				
0	6		18	16	16	14
6	10		18	16	14	12
10	12		16	16	14	12
12	16		14	12	Not Recommended	

Ground Fault Interrupter (GFCI) protection should be provided on the circuit(s) or outlet(s) to be used for the tile saw. Receptacles that have built-in GFCI protection are available; any may be used for this measure of safety.

## **GROUNDING INSTRUCTIONS**

### **ALL GROUNDED, CORD-CONNECTED TOOLS:**

In the event of a malfunction or breakdown, grounding provides a path of least resistance for electric current to reduce the risk of electric shock. This tool is equipped with an electric cord having an equipment-grounding conductor and grounding plug. The plug must be plugged into a matching outlet that is properly installed and grounded in accordance with all local codes and ordinances.

Do not modify the plug provided – if it will not fit the outlet, have the proper outlet installed by a qualified electrician.

Improper connection of the equipment-grounding conductor can result in a risk of electric shock. The conductor with insulation having an outer surface that is green with or without yellow stripes is the equipment-grounding conductor. If repair or replacement of the electric cord or plug is necessary, do not connect the equipment-grounding conductor to live terminal.

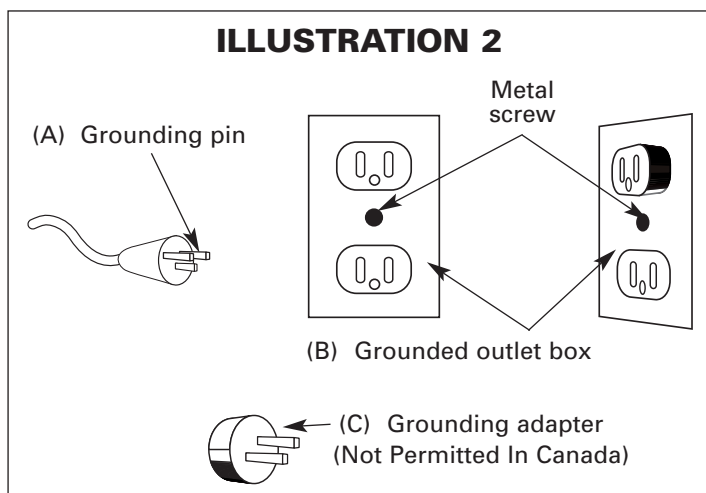
Check with a qualified electrician or service personnel if the grounding instructions are not completely understood, or if in doubt as to whether the tool is properly grounded.

Use only 3-wire extension cords that have 3-prong grounding plugs and 3-pole receptacles that accept the tool's plug.

Repair or replace damaged or worn cord immediately.

**GROUNDING, CORD-CONNECTED TOOLS INTENDED FOR USE ON A SUPPLY CIRCUIT HAVING A NOMINAL RATING LESS THAN 150 VOLTS:**

This tool is intended for use on a circuit that has an outlet that looks like the one shown in Illustration 2(A). The tool has a grounding plug that looks like the plug illustrated in Illustration 2(A). A temporary adapter, which looks like the adapter shown in Illustration 2(B), may be used to connect this plug to a 2-pole receptacle as shown in Illustration 2(B), if a properly grounded outlet is not available. The temporary adapter should be used only until a properly grounded outlet can be installed by a qualified electrician. The green-colored rigid ear, lug, and the like, extending from the adapter must be connected to a permanent ground such as a properly grounded outlet box.



## **SAFETY GUIDELINES**

***READ THIS OWNER'S MANUAL COMPLETELY AND MAKE SURE YOU UNDERSTAND ALL SAFETY GUIDELINES.***

- Make sure the power switch on your tile saw is in the "OFF" position before plugging it in.
- Do not leave the tile saw unattended while it is running. Always return the power to the "OFF" position when not in use.
- Always wear safety goggles, dust mask, and ear protection when operating the tile saw.
- Always remain alert when the tile saw is in use. Distractions on the part of the operator may lead to a serious injury.
- Keep children away. All visitors should be kept at a safe distance from work area.
- Always keep the blade guard in the down position while operating the tile saw.
- Disconnect the unit from its power source before installing or changing blades and before cleaning or servicing the tile saw.
- Be careful. Serious injuries could occur if the tool is tipped, falls or if the blade is unintentionally contacted.
- Do not directly wash the bottom of the motor.
- Do not force the material being cut. Always let the blade cut at its own speed.
- Do not force a tool to do a job it isn't designed to do.
- Make sure you use the correct blade for the job you are doing.
- This tile saw is equipped with a three-prong electrical plug. Do not alter the plug or use a two-prong receptacle.
- Keep your work space clear and free of all debris.
- Keep the tile saw clean and maintained to achieve the safest and highest performance for each job.

## FEATURES OF THE TILE SAW

- Direct drive motor.
- Wet cutting.
- Water reservoir completely separated from all electrical components.
- 7 in. continuous rim wet diamond blade included for cutting tile and other materials.\*
- Adjustable chrome table for precision miter cuts ( $0^{\circ}$ – $45^{\circ}$  degrees).

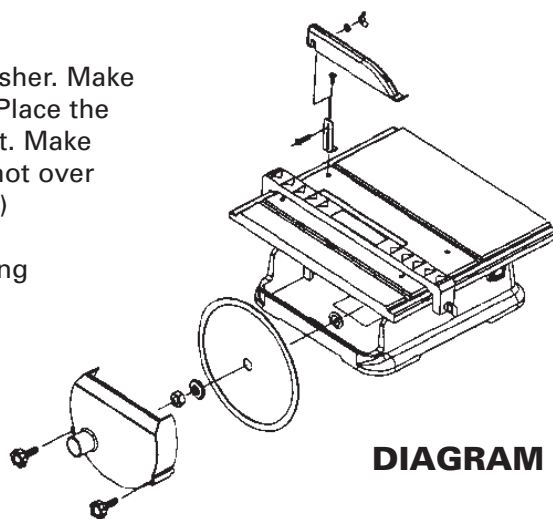
\*This saw comes with a diamond blade that is ideal for cutting ceramic tile. If your project requires the cutting of other substrates, including porcelain, it is recommended that you use the specific type of blade for the material being cut.

## ASSEMBLY AND SET UP

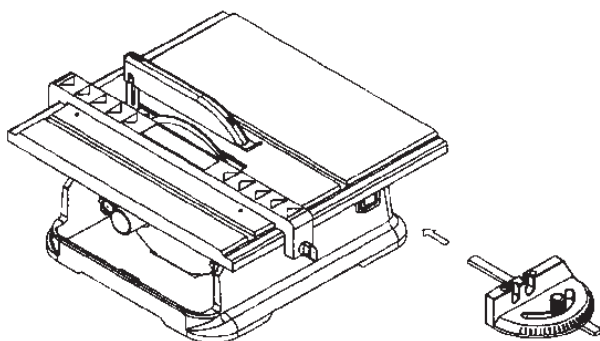
**▲ CAUTION** FOLLOW ALL OF THE ASSEMBLY AND INSTALLATION INSTRUCTIONS COMPLETELY BEFORE CONNECTING THE TILE SAW TO A POWER SOURCE OR TURNING THE MOTOR ON.

The contents of the box are as follows

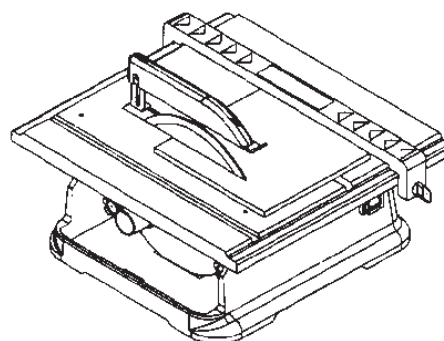
- 7 in. Diamond Blade
  - Blade Guard
  - Rip Guide
  - Owner's Manual
  - Miter Guide
  - Blade Wrench
- Place the blade onto the shaft, pushing it up against the inner washer. Make sure the directional arrows on the blade are facing towards you. Place the outer washer and blade shaft nut, then tighten the blade shaft nut. Make certain the nut is firmly tightened with the wrench provided. Do not over tighten! Place dustcover and tighten with screws. (See diagram 1)
  - Place the Rip Guide on the top of the cutting table and tighten wing screw into its support nut. The guide is marked in both inches and centimeters for accurate cutting. Rip guide can be used on either side of the cutting blade. (See diagram 2)
  - Place the Miter Guide onto its left or right track. (See diagram 2)
  - For straight cutting, after the rip guide is positioned for the desired cut, place the material flush against the rip guide then push the material towards the blade. (See diagram 3)



**DIAGRAM 1**

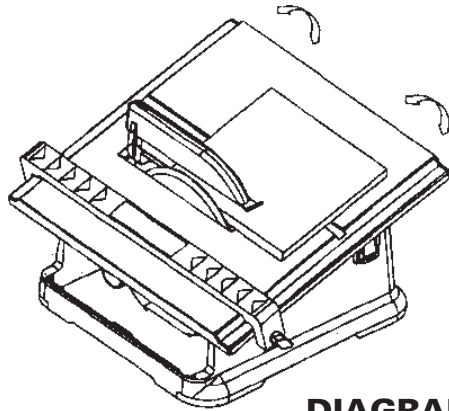


**DIAGRAM 2**

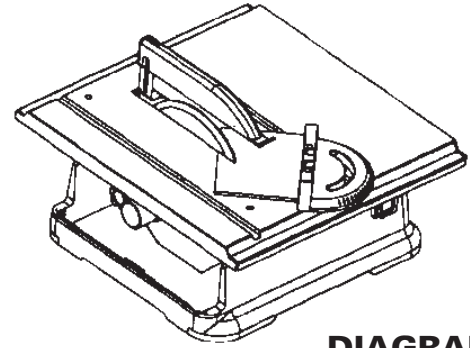


**DIAGRAM 3**

- For miter cutting, raise the tip-up cutting table to the desired angle, you can choose 0° - 45°. When proper angle is selected, tighten screws on both sides to hold the cutting table in place. Place the material onto the cutting table and you are ready to cut. (See diagram 4)
- For angle cutting, choose the degree you want and tighten the handle. Then push the miter guide and material together towards the blade to cut the material. (See diagram 5)



**DIAGRAM 4**



**DIAGRAM 5**

### **BLADE GUARD**

1. Attach the metal guard support (60087-6) to the blade guard (60087-4).
2. Screw the metal guard support (60087-6) from the top onto the cutting table.

### **RIP GUIDE**

1. Place the rip guide at either end of the cutting table and slide it onto the cutting table track.
2. Once you have positioned the rip guide at the desired location on the cutting table then tighten the wing screws into the square support brackets.
3. Make sure that the rip guide is parallel to the blade once you tighten it down.

### **WATER RESERVOIR**

The water reservoir is the open compartment located on the left side (blade side) of the tile saw. Fill the reservoir with water up to the spill edge. Do not allow the blade to run dry.

### **FOR LONGER LIFE AND BEST PERFORMANCE:**

- Always clean the tile saw after each use.
- Wipe off all exterior surfaces and keep the cutting table clean and free of all debris.
- Always let the blade cut at its own speed. Do not force the material being cut.
- Always check the blade for cracks or signs of damage.
- Always clean the reservoir thoroughly after use.
- Always store the electrical cord underneath the saw after use.
- Always keep water level at the recommended level. Do not allow the saw to run dry. Add water if you see dust come out from dust chute outlet or in the air.
- Never attempt to service the internal parts of the motor by yourself as this will void your guarantee.



## ELECTRICAL AND MOTOR SPECIFICATIONS

120 VOLT MOTOR SPECIFICATIONS	
Volts	120 V
Cycle	60 CYCLES
RPM	n <sub>0</sub> 3600 RPM
Amps	4 Amps

CONNECT TILE SAW AS CLOSE AS POSSIBLE TO POWER SOURCE.

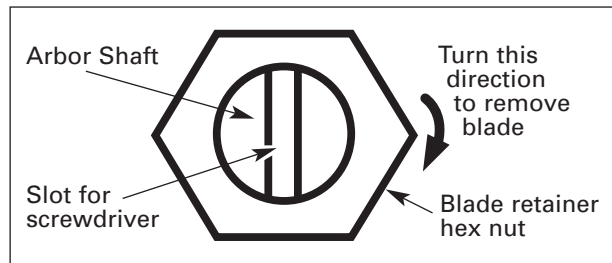
---

## BLADE REMOVAL INSTRUCTIONS

### TO REMOVE BLADE

1. Use flat blade screwdriver in slot to hold arbor shaft.
2. Use Hex Wrench (furnished) to remove hex nut blade retainer

**NOTE:** Turn hex nut **CLOCKWISE** to loosen nut.



## TROUBLESHOOTING

### OVERHEATING OF SAW:

- A. Turn saw off and let it rest until motor is cool to the touch.
- B. Check and clean the ventilation slots, removing blockage and dirt.

### THE SAW DOES NOT START:

- A. Check that power cord is properly plugged in.
- B. No power from outlet.
- C. Switch is damaged.

## 60087 PARTS LIST

	PARTS#	PARTS NAME	QTY.
1	60087-1	Rip Guide	1
1-1	60087-2	Wing Screw for Rip Guide	2
1-2	60087-3	Square Nut for Rip Guide	2
2	60087-4	Blade Guard	1
2-1	60087-5	Screw Set for Blade Guard	1
3	60087-6	Screw for Guard Support Set	1
4	60087-7	Angle Guide Set	1
5	60087-8	Cutting Table	1
5-1	60087-9	Screw Set for Cutting Table	4
6	60087-10	Wrench	1
7	60087-11	Square Support Set for Frame (w/ 3 screws)	1
8	60087-12	Frame	1
9	60087-13	Miter Guide Plate	2
9-1	60087-14	Screw for Miter Plate	2
9-2	60087-15	Angle Screw for Miter Plate	2
10	60087-16	Power Switch	1
10-1	60087-17	Power Switch Cover	1
11	60087-18	Motor Set (w/ 4 screws)	1
12	60087-19	Capacitor Set	1
13	60087-20	Rubber Base	4
14	60087-21	Screws for Dust Cover	2
15	60087-22	Dust Cover	1
16	60087-23	Blade Lock Nut	1
17	60087-24	Outer Washer	1
18	6-7003CR	7 in. Continuous Rim Blade	1
19	60087-25	Inner Washer	1
20	60087-26	Power Cord	1
20-1	60087-27	Strain Relief Bushing	1
21	60087-28	Base Plate Set (w/ 4 screws)	1

# EXPLODED VIEW

To assemble the tile guide  
and place into the cutting table

