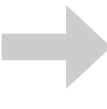




To obtain a full manual, including your warranty terms, scan the code or text the number on the Learn More label on the machine, or visit <https://www.simpsoncleaning.com>, or contact Customer Support at 1-877-362-4271 or email: [cservice@fna-group.com](mailto:cservice@fna-group.com)



SCAN QR CODE OR TEXT  
MODEL #  
TO 1 (888) 123-  
SAMPLE

## Notes:

1. This quick start guide is not a replacement for the owner's manual. **Be sure to download and read the owners manual before operating the machine for the first time.**
2. Read all the information in the safety section of this document and all related user manuals before operating the machine.
3. Perform the procedures outlined in this quick start guide before operating the machine.

## Contact Us:

If you have any questions regarding the unpacking, assembly, or use of your pressure washer, please have your model number and serial number ready, then contact customer support at **1-877-362-4271** or email [cservice@fna-group.com](mailto:cservice@fna-group.com).

## Disclaimers:

- All information in this guide was based on the latest product information available at the time of its printing.
- This guide may cover more than one machine. The drawings in this guide should be used for reference only. There may be differences between your product and the pictures, drawings, and / or diagrams used in this guide.
- In a continued commitment to improve quality, The manufacturer reserves the right to update, change, and / or improve the product(s) covered in this guide at any time, without notice, and without incurring any obligation. Therefore, the product(s) this guide covers may differ slightly those pictured.

**Safety:** **NOTE:** Be sure to read understand the safety information listed below. Each box contains one of three words: WARNING, CAUTION, or NOTICE each of these words indicates a different level of hazard severity and is followed by information about specific hazards, the consequences of the hazards, and instructions on how to avoid the hazards. Failure to heed these symbols and the information provided with them could result in property damage, injury, and/or death.

### **WARNING:**

Indicates a potentially hazardous situation which, if not avoided, could result in property damage, serious injury, and/ or death.

### **CAUTION:**

Indicates a hazardous situation, which if not avoided, could result in property damage and/or minor to moderate injury.

### **NOTICE**

Indicates information considered important but not directly hazard related.

### **WARNING:** OPERATION CHECKLIST

Attempting to start the engine incorrectly or using the pressure washer incorrectly can result in engine and/or pressure washer damage, and may cause serious injury or death. To avoid these hazards, be sure to read, understand, and follow the steps outlined in the OPERATING CHECKLIST section of the owner's manual before starting the engine, and follow all the guidelines for proper use of the pressure washer.

### **WARNING:** UNTRAINED OPERATION

Untrained persons, young children, and pets can be seriously injured or killed if allowed to incorrectly operate or play with a running pressure washer. To avoid these hazards, be sure anyone operating the pressure washer receives proper instructions, understands safe operation, and has read the owner's manual before operating this product. Do not let children operate the pressure washer without parental supervision. Keep young children and pets away from the pressure washer while it is running. Always turn off the pressure washer before leaving the area.

### **WARNING:** TRANSPORTATION

Transporting the pressure washer in an enclosed space on a transport vehicle where temperatures can rise may cause fuel to vaporize and leak. Gasoline is highly flammable and gasoline vapors are extremely explosive. Fire and explosions can cause severe burns and/or death. To avoid these hazards, secure the pressure washer in a well ventilated area out of direct sunlight and other heat sources and do not transport the pressure washer on rough roads unless the fuel has been drained beforehand.

### **WARNING:** MOVING PARTS

This product has many parts that move at high speeds. Moving parts can cause crushing injuries, broken bones, severe lacerations, and/or traumatic amputations. To prevent injury, never place fingers, hands, feet, or other body parts near running engine. Never operate product with covers, shrouds, or other guards removed. Do not wear loose-fitting clothing, dangling drawstrings, or any other hanging items that could become entangled in moving parts while operating. Tie up long hair and remove jewelry before operating.

### **WARNING:** REFUELING

Gasoline is highly flammable and gasoline vapors are extremely explosive. Fire and explosions can cause severe burns and/or death. Keep gasoline away from flames, sparks, and other ignition sources. Refuel outdoors in a well-ventilated area with the engine stopped and cool. Wipe up any spilled gasoline and allow engine to dry before starting. Keep a fire extinguisher handy while refueling. Do not operate engine with leaks in the fuel system. Do not store gasoline near other flammable materials.

### **WARNING:** VOLATILE LIQUIDS

Pressure washing with volatile, flammable, or corrosive liquids could cause pressure washer damage, fire, or explosion resulting in severe injury and/or death. To avoid these hazards, use only approved soaps and chemicals, do not attempt to pressure wash with volatile, flammable, or corrosive liquids, and NEVER use bleach.

### **WARNING:** INSPECT

Failure to inspect this product and before use could result in product damage, serious injury, and/or death. To avoid these hazards, inspect the pressure washer before each use. Check for loose or damaged parts, signs of oil or fuel leaks, missing guards, plugged cooling vents, or any other condition that may affect proper operation. Repair or replace all damaged or defective parts and keep all safety guards in place and in proper working order before using the pressure washer.

### **WARNING:** TOXIC FUMES

Engine exhaust contains carbon monoxide, an odorless, colorless, poisonous gas. Running an engine indoors will kill you in minutes. Never use this product inside a house, garage, or any other kind of enclosure even if doors and windows are open. Run engine outside at least 20 feet (6 meters) away from windows, doors, and vents. Carefully consider wind direction and air currents when using this product outside to avoid breathing in engine exhaust. Always use a carbon monoxide detector in any occupied buildings near the running engine.

### **WARNING:** INJECTION INJURY

The high pressures created by a pressure washer can cause fluid injection injuries, severe lacerations, amputations, and / or death. To avoid these hazards, always aim the spray gun and lance in a safe direction when using a pressure washer and never attempt to touch a leak in a high-pressure hose or fitting.

### **⚠ WARNING: RAPID RETRACTION**

Rapid retraction (also known as kickback) of the engine recoil starter cord will pull your hand and arm towards the engine faster than you can let go of the handle resulting in sprains, broken bones, lacerations, and/or traumatic amputations. Kickback is caused by damage to the engine crankshaft key, compression release failure, and/or improper starting techniques. To avoid kickback follow the appropriate maintenance schedule and starting instructions listed in the owner's manual and have engine repair work done by an authorized service center.

### **⚠ CAUTION: HOT SURFACES**

A running engine produces heat. The surfaces of the engine, other related components, and engine exhaust gas get hot enough to cause mild moderate burns or ignite materials on contact. To avoid burns, do not touch engine surfaces or exhaust gases while operating and allow engine to cool completely before moving, touching, or performing any maintenance. To avoid a fire, keep all flammable materials at least five feet away from all sides of the product.

### **NOTICE CHEMICAL CLEANERS**

Using chemical cleaners and/or corrosive liquids can damage the pressure washer seals and internal components. Damage caused by chemical cleaners and corrosive liquids is not covered under warranty. To avoid these hazard, only use approved cleaning chemicals, never use bleach, and always run clean water through the pressure washer after using cleaning chemicals.

### **NOTICE GASOLINE ADDITIVES**

The use of fuel system cleaning additives can damage the engine and fuel systems. Damage caused by the use of fuel system cleaning additives is not covered by warranty. To avoid engine and fuel system damage, do not use any fuel system cleaning additives.

### **NOTICE PUMP DAMAGE**

Turning off the water supply to your pump with the engine running will damage the pump. Damage caused by running the pump without water is not covered under warranty. To avoid this hazard always turn off the engine before shutting off the water supply.

### **NOTICE**

This appliance is not intended to be used by persons (including children) with reduced physical, sensory, or mental capabilities, or lack of experience and knowledge, unless they have been given supervision or instruction concerning use of the appliance by a person responsible for their safety.

Children should be supervised to ensure that they do not play with the appliance.

### **⚠ CALIFORNIA PROPOSITION 65 WARNING**

This product and the engine exhaust can expose you to chemicals which are known to the state of California to cause cancer, birth defects, or other reproductive harm. For more information on California Proposition 65, go to [www.P65Warnings.ca.gov](http://www.P65Warnings.ca.gov).

## Unpacking:

1. Place the shipping carton on a solid, flat surface.
2. Carefully cut the top of the carton open.
3. Carefully cut each corner of the carton from top to bottom.
4. Lay each side of the carton flat on the ground.
5. Remove everything from the carton.

### **NOTICE LOW OIL SENSOR**

The low oil sensor (if equipped) will automatically stop the engine when the oil level falls below the safe limit. To avoid an unexpected shutdown, check the oil level regularly, fill to the upper limit, and always operate engine on a level surface.

### **NOTICE FILL ENGINE OIL BEFORE USING**

The engine is shipped from the factory without oil. Running the engine without oil will result in severe engine damage and void the warranty. To avoid causing engine damage and voiding the warranty, fill the engine with the recommended oil type.

### **NOTICE USE CORRECT ENGINE OIL**

Oil is a major factor in the performance and service life of any engine. Using the incorrect oil may damage the engine and void the warranty. To avoid causing engine damage and voiding the warranty, check and change oil as required using the correct engine oil.

### **⚠ CAUTION: HOT OIL**

Hot oil can cause serious burns. To prevent getting burned when changing or checking the engine oil, use gloves to prevent hot oil from touching skin and change oil when the engine is warm from but not hot.

### **NOTICE OLD GASOLINE**

Old gasoline can create deposits that clog fuel systems causing hard starting and poor performance. Damage caused by old fuel is not covered by warranty. To minimize deposits, avoid old fuel related performance issues, and prevent costly repair work, do not use gasoline that is older than 30 days.

### **NOTICE ALCOHOL BLENDS**

Using gasoline with an alcohol blend greater than 10% (E10) will damage the engine. Damage caused by using an alcohol blend of 15% (E15), 85% (E85), or any other alcohol blend higher than 10% (E10) is not covered under warranty. To avoid engine damage caused by an alcohol blend that is too high, use gasoline with 10% (E10) alcohol or lower.

### **NOTICE DO NOT OVERFILL FUEL TANK**

Overfilling the fuel tank can result in carbon canister damage (if equipped), poor engine performance, and void the warranty. To avoid these hazards, do not fill the fuel tank above the maximum level.

### **NOTICE FREEZE DAMAGE**

Anytime the pressure washer may endure freezing temperatures, remaining water needs to be drained from the pump, high-pressure hose and spray gun assembly. Drain the hose, spray gun and pump as explained in the pressure washer Use and Care Manual. It is suggested to purge the pump of water by using Simpson® Pump Guard or equivalent pump protectant.

### **NOTICE PUMP PURGING**

Running a pressure washer pump without water will severely damage the pump seals and other internal components. To avoid this hazard, make sure your water supply is uninterrupted, provides at least 5 GPM at 20 PSI, and always purge the air your pressure washer pump before starting the engine.

Refer to the 'Assembly / Connecting Hoses' section of this quick-start guide to learn how to purge the pump of air.

### **NOTICE SPRAY DAMAGE**

High-pressure spray can damage plants and other surfaces. To avoid damaging plants, cover them before spraying near them. To avoid damaging surfaces. Refer to the Nozzle Selection table in this manual for correct nozzle and test surfaces before spraying to make sure they are strong enough to withstand high-pressure spray.

### **NOTICE ALTITUDE**

Operating the engine with a high-altitude carburetor jet kit at an altitude below 5000 feet (1524 meters) will cause the engine to run too hot. Overheating the engine could result in serious engine damage. To avoid this hazard, make sure the correct carburetor kit is installed and the air/fuel mixture is set correctly for your altitude.

### **NOTICE CLEANING**

Water can damage the pressure washer engine components if allowed to enter through cooling slots or other holes. Damage caused by water intrusion is not covered under warranty. To avoid engine water damage, do not use a pressure washer, garden hose, or any other sources of running water to clean the pressure washer engine, and never submerge the pressure washer engine in any liquids.

### **NOTICE GASOLINE STORAGE**

It is important to prevent gum deposits from forming in essential fuel system parts, such as the carburetor, fuel filter, fuel hose or tank during storage. Alcohol-blended fuels (also called gasohol, ethanol, or methanol) attract moisture, which leads to separation and formation of acids during storage. Acidic fuel and gum deposits can damage the engine's fuel system while in storage. Damage caused by the use of old, stale, or contaminated fuel are not covered under warranty.

### **NOTICE PUMP DAMAGE**

Running the pressure washer for more than two minutes without the spray gun trigger pulled will overheat the pump and possibly cause damage. The thermal relief valve will open and spray water to help cool the pump as it overheats. To avoid overheating the pump, shut off the machine if not being used for longer than two minutes.

## Assembly / Connecting Hoses:

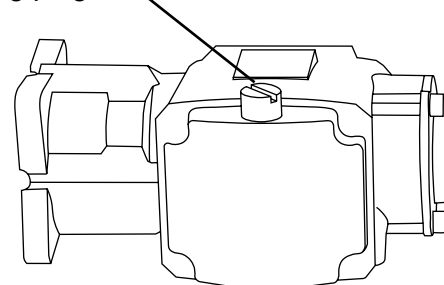
1. (If applicable) Add the pump breather cap.

**IMPORTANT!**

A RED shipping plug is in the pump that must be replaced with a BLACK breather cap. The cap is easy to replace with the following steps:

1. Using a bladed screw driver, remove the RED shipping plug from the top of the pump.
2. Hand thread the BLACK breather cap into the pump.
3. Snug the cap with your fingers.

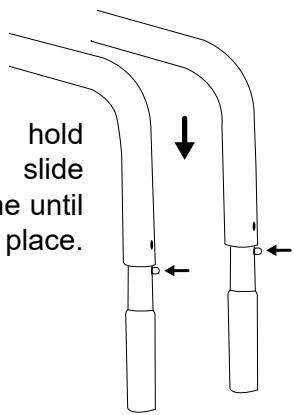
RED shipping plug



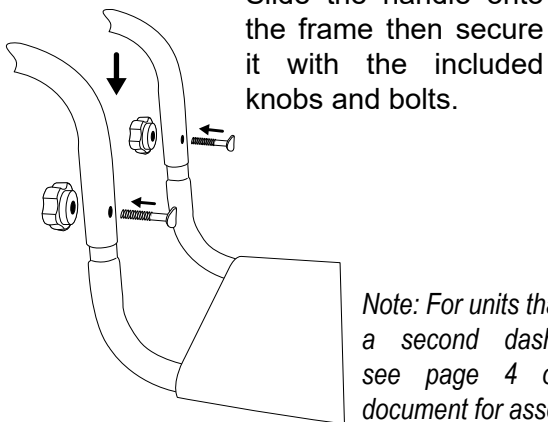
 BLACK breather cap



2. Press and hold buttons then slide handle onto frame until buttons click into place.



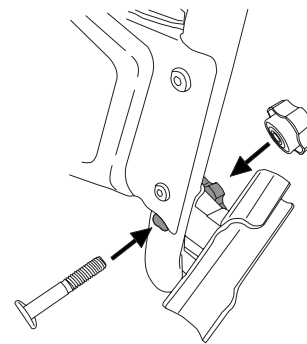
OR



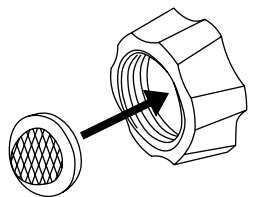
Slide the handle onto the frame then secure it with the included knobs and bolts.

Note: For units that have a second dashboard, see page 4 of this document for assembly.

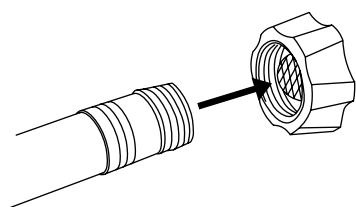
3. Install the spray gun holster (if applicable) onto the handle using the included knob and bolt.



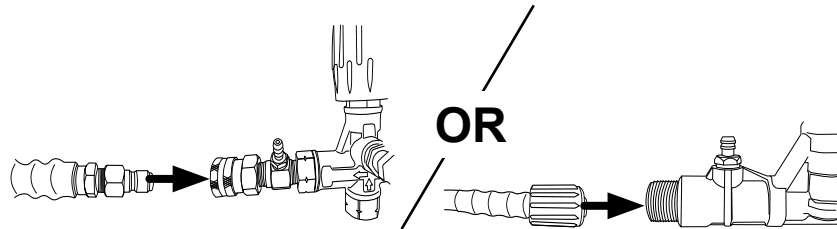
4. Make sure the inlet screen is clean, inside the pump inlet, and has the convex side facing out.



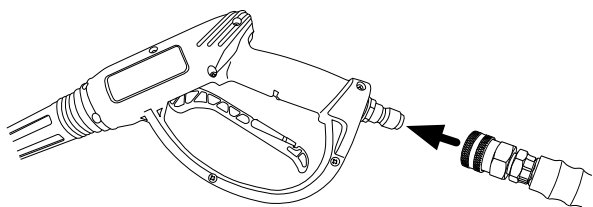
5. Turn on the water supply and run it for 30 seconds to purge any dirt or debris from the supply hose. Then, turn off the water supply and thread the water supply hose into the pump inlet.



6. Insert the male quick-connect (QC) plug on the high-pressure hose into the female QC outlet on the pump or thread the high-pressure hose onto the pump outlet.

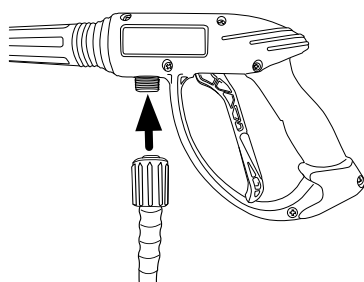


7. Insert the male QC plug on the spray gun into the female QC connector on the high-pressure hose.



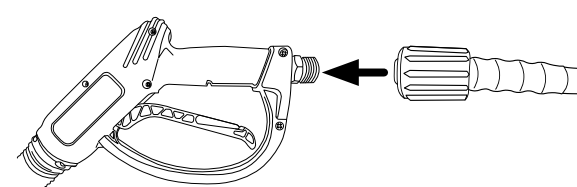
Thread the high-pressure hose onto the spray gun inlet.

OR

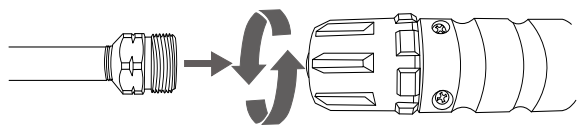


OR

Thread the high-pressure hose onto the spray gun inlet.

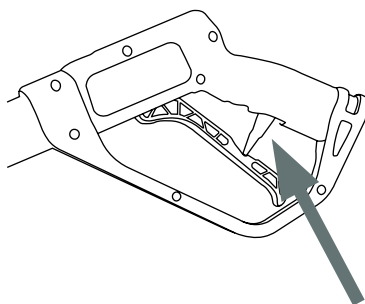


8. Secure the lance to the gun by carefully turning the coupler on the spray gun until the coupler stops rotating. Do not over tighten. Most of the threads on the lance will not be visible if the lance and gun are properly assembled. Be careful not to cross-thread the gun and lance.

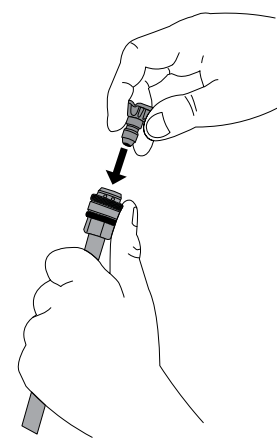


**WARNING!** The threads on the lance and gun coupler can be easily cross threaded resulting in an improper assembly. An improper assembly of the gun and lance can result in personal injury. Do not use if the threads on the gun coupler and or lance are cross threaded.

9. Turn on the water supply, aim the spray gun in a safe direction, then squeeze and hold the trigger for at least 30 seconds or until the water runs steady and all the air is purged from the pump and hoses. When completed, engage the trigger lock.

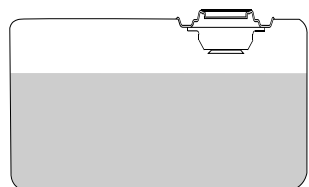


Trigger shown in the locked position. Remember to always lock the trigger when not in use.



10. Select the correct nozzle for your cleaning job per nozzle selection chart in this document and install it onto the lance by pulling the quick-connect coupler back, inserting the nozzle, then releasing the coupler allowing it to snap back in place.

11. Remove fuel cap, fill fuel tank with fresh gasoline, then replace fuel cap. Be careful not to cross-thread the gun and lance.



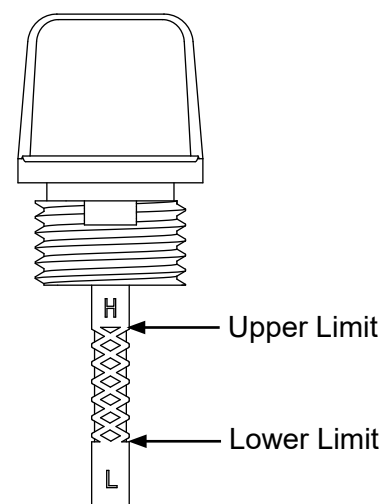
**NOTE:** Fill with engine off and cool. Do not over fill fuel tank.

## Fill Engine With Oil:

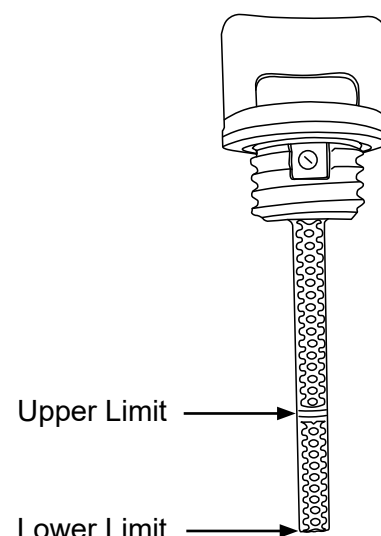
### NOTICE

This pressure washer was shipped from the factory without oil in the engine. Running the engine without oil will result in severe engine damage and void the warranty. To avoid these hazards, fill the engine with the recommended oil type before starting.

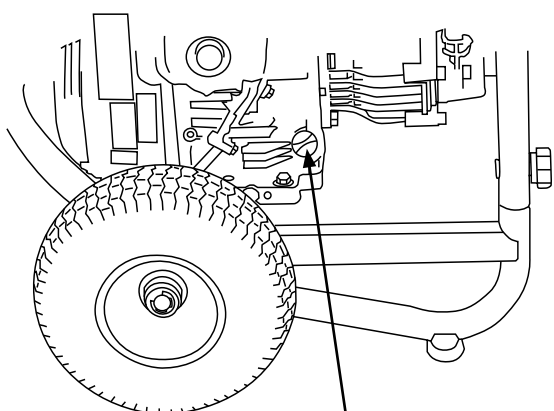
2. Fill the engine with the correct oil per the engine owner's manual. The oil level should be towards the high mark on the dipstick. Replace the dipstick when the engine is full.



OR

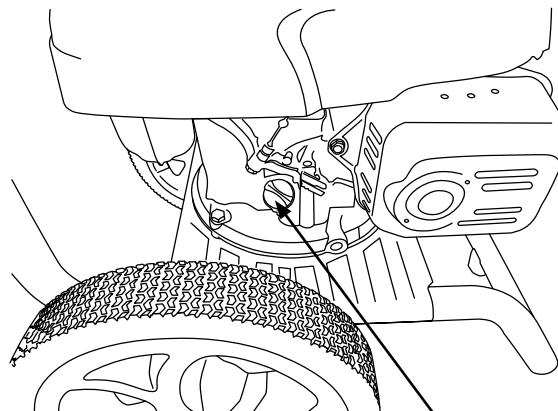


1. Place machine on a level surface then remove the engine oil dipstick by unscrewing it.



Engine Oil Dipstick

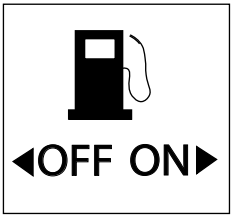
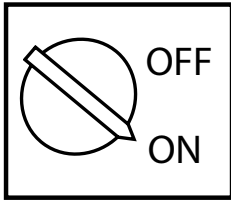
OR



Engine Oil Dipstick

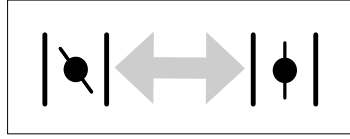
## Starting:

1. Turn the engine ignition switch and the fuel valve to their ON positions.



2. Adjust choke as needed.

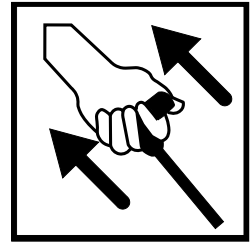
CLOSED



OPEN

**NOTE:** The starting position of the choke will vary depending on the engine temperature. If starting a cold engine, move the choke lever towards the closed position. If starting a warm engine, move the choke lever towards the open position. Once the engine warms up from running, you may need to adjust choke towards the open position until idle is smooth.

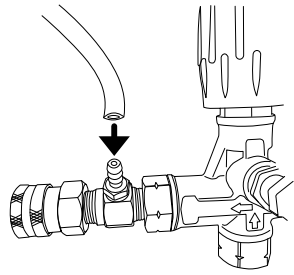
3. Pull the recoil slowly until resistance is felt, then pull rapidly to start the engine.



4. Allow engine to warm for 1-2 minutes before using the product.

## Using Chemicals:

1. Attach the open end of the soap hose to the barbed fitting on the pump.

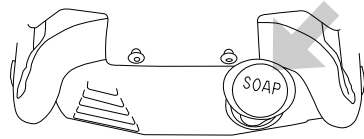


2. Place the filtered end of the soap hose into a container of soap or fill the soap tank

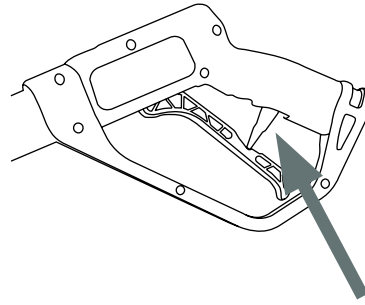
**NOTE:** Use only soaps that are approved for pressure washer use.



OR

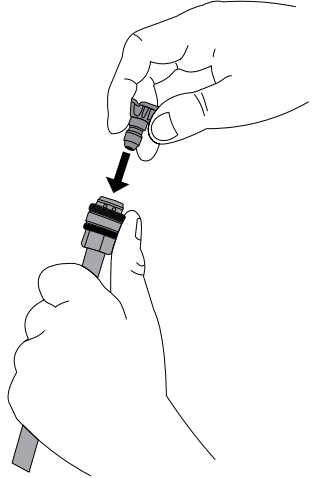


3. If the engine is running, make sure the trigger lock is in the locked position before removing and installing nozzles.



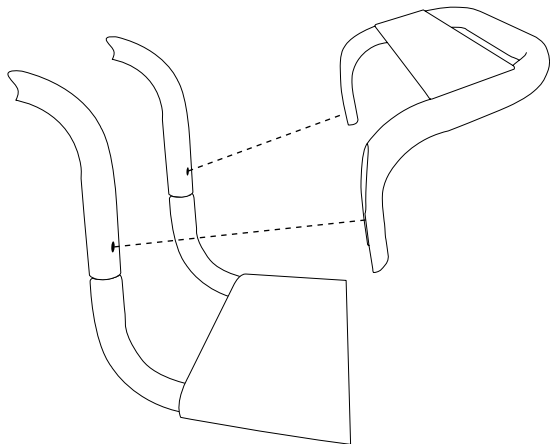
4. Insert the black nozzle into the spray wand.

**NOTE:** Soaps will not siphon if the black soap nozzle is not installed on the spray wand.

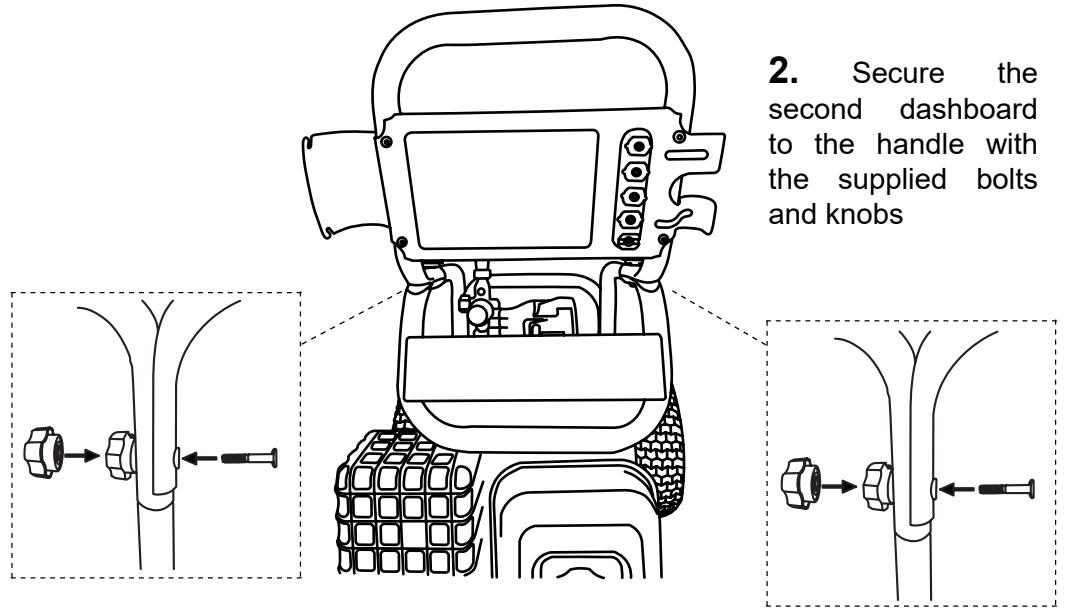


**NOTE:** After using soap, place the filtered end of the soap hose into a container of clean water and run pressure washer drawing clean water through the hose and pump until the system is thoroughly rinsed. If soap or other chemicals remain in the pump, the pump could be damaged. Pump damage from soap or chemical residue is not covered under warranty.

## Dual Dashboard Assembly: (If applicable)



1. Place the second dashboard on the handle making sure to line up the holes in both the handle and the second dashboard.



2. Secure the second dashboard to the handle with the supplied bolts and knobs

## Selecting a Nozzle:

Color	Spray Pattern	Uses	Surfaces
Red	0°	Spot cleaning hard, unpainted surfaces and high-reach areas	Unpainted metal and concrete DO NOT use on wood
Yellow	15°	Intense cleaning of unpainted surfaces	Grills, driveways, concrete and brick walkways, unpainted brick and stucco
Green	25°	Standard cleaning nozzle for most applications	Yard tools, sidewalks, lawn furniture, unpainted siding, stucco, gutters, eaves, concrete, and brick surfaces
White	40°	Cleaning painted or delicate surfaces	Autos, trucks, RVs, boats, wood, painted brick, painted stucco, vinyl, and painted siding
Black	Soap	Applying cleaning solutions	Safe on all surfaces. Always verify compatibility of cleaning solutions prior to use.

**NOTE:** Always make sure the nozzle is properly installed by tugging on it after inserting it into the quick connector before using the pressure washer.

## Pressure Washing Tips:

1. Set the trigger lock on the spray gun when not in use.
2. A wider spray equals faster cleaning, while tighter spray equals deeper cleaning.
3. Do not aim the nozzle straight at a surface. Hold the wand at a 45-degree angle to the surface and at a distance that cleans well without causing damage.
4. Keep the nozzle about 4-feet away from siding to prevent damage to surfaces.
5. Wash siding by starting at the bottom and working your way up, then rinse from the top down.
6. Avoid driving water up behind siding.
7. For even cleaning, use overlapping strokes.
8. Work in smaller areas and do not let soap dry on surfaces.
9. Whenever freezing weather is possible, remove any remaining water from the high-pressure hose, spray gun assembly and the pump as indicated in the pressure washer Use and Care Manual. We suggest protecting the pump by using Simpson® Pump Guard.





Pour obtenir un guide complet, y compris les conditions de garantie, balayez le code ou envoyez un texto au numéro figurant sur l'étiquette « En savoir plus » de la machine, visitez le site <https://www.simpsoncleaning.com> ou contactez le service d'assistance à la clientèle au 1 877 362-4271 ou par courriel à l'adresse [cservice@fna-group.com](mailto:cservice@fna-group.com).



SCAN QR CODE OF  
MODEL  
TO 1 888-362-4567

## Remarques :

1. Ce guide de démarrage rapide ne remplace pas le manuel de l'utilisateur. **Ne manquez pas de télécharger le manuel de l'utilisateur et de le lire avant d'utiliser la machine pour la première fois.**
2. Lisez toutes les informations du chapitre sécurité de ce document et tous les manuels d'utilisation connexes avant d'utiliser la machine.
3. Effectuez les procédures décrites dans ce guide de démarrage rapide avant d'utiliser la machine.

## Nous contacter :

Si vous avez des questions concernant le déballage, l'assemblage ou l'utilisation de votre laveur sous pression, préparez le numéro du modèle et le numéro de série puis contactez l'assistance à la clientèle au **1-877-362-4271** ou envoyez un courriel à [cservice@fna-group.com](mailto:cservice@fna-group.com).

## Déni de responsabilité :

- Tous les renseignements dans cette publication sont basés sur les dernières informations disponibles sur le produit au moment de l'impression.
- Ce guide peut concerner plusieurs machines. Les schémas dans ce guide ne doivent être utilisés qu'en référence. Des différences entre votre produit et les illustrations, schémas et/ou diagrammes utilisés dans ce guide peuvent exister.
- Dans le cadre d'une amélioration continue de la qualité, le fabricant se réserve le droit d'actualiser, modifier et/ou améliorer le ou les produits couverts par ce guide à tout moment, sans créer d'obligation. Par conséquent, le ou les produits concernés par ce guide peuvent être légèrement différents de ceux qui y sont illustrés.

**Sécurité :** **REMARQUE :** Assurez-vous de comprendre les consignes de sécurité indiquées ci-dessous. Chaque case contient l'un de trois mots : AVERTISSEMENT, ATTENTION ou AVIS, chacun de ces mots indique un niveau de gravité du risque différent et il est suivi d'informations à propos des dangers spécifiques, de leurs conséquences et des instructions sur la façon de les éviter. Faute de tenir compte de ces symboles et informations qui les accompagne, des dommages matériels, des blessures et/ou la mort peuvent survenir.



**AVERTISSEMENT:** Indique une situation potentiellement dangereuse qui, si elle n'est pas évitée, peut entraîner des dommages matériels, des blessures graves et/ou la mort.



**ATTENTION:** Indique une situation dangereuse qui, si elle n'est pas évitée, peut entraîner des dommages matériels et/ou des blessures légères à modérées.

**AVIS**

Indique des informations considérées comme importantes mais sans lien direct avec un danger.



### LISTE DE CONTRÔLE DE FONCTIONNEMENT

Tenter de démarrer le moteur ou d'utiliser le laveur sous pression incorrectement peut endommager le moteur et/ou le laveur sous pression et provoquer des blessures graves ou la mort. Pour éviter ces risques, ne manquez pas de lire, comprendre et respecter les étapes décrites dans la section LISTE DE CONTRÔLE DE FONCTIONNEMENT du manuel de l'utilisateur avant de démarrer le moteur et de suivre toutes les recommandations pour l'utilisation correcte du laveur sous pression.



### FONCTIONNEMENT SANS FORMATION

Les personnes non formées, les jeunes enfants, les animaux domestiques peuvent subir de graves blessures ou la mort s'ils sont autorisés à utiliser ou à jouer avec un laveur sous pression en fonctionnement. Pour éviter ces dangers, veillez à ce quiconque utilisant le laveur sous pression reçoive les instructions adéquates, comprenne le fonctionnement sécuritaire et lise le manuel de l'utilisateur avant d'utiliser ce produit. Ne laissez pas les enfants utiliser le laveur sous pression sans supervision parentale. Tenez les jeunes enfants et les animaux domestiques à l'écart du laveur sous pression lorsqu'il fonctionne. Éteignez toujours le laveur sous pression avant de quitter la zone.



### REMPLEZ LE RÉSERVOIR D'HUILE MOTEUR AVANT UTILISATION

Le moteur est expédié de l'usine sans huile. Utiliser le moteur sans huile peut provoquer de graves dommages au moteur et annuler la garantie. Pour éviter d'endommager le moteur et d'annuler la garantie, remplissez le moteur avec de l'huile du type recommandé.



### PIÈCES MOBILES

Ce produit contient de nombreuses pièces mobiles à haute vitesse. Les pièces mobiles peuvent causer des écrasements, des fractures, des lacérations graves et/ou des amputations traumatiques. Pour éviter les blessures, ne placez jamais vos doigts, mains, pieds ou autre partie du corps à proximité du moteur en marche. N'utilisez jamais le produit avec les capots, les coiffes ou autres protections retirés. Ne portez pas de vêtements amples, de cordon pendant ou autres objets pendants susceptibles de s'accrocher dans les pièces mobiles en fonctionnement. Attachez vos cheveux longs et retirez vos bijoux avant l'utilisation.



### REMPLEZ LE RÉSERVOIR DE CARBURANT

L'essence est hautement inflammable et ses vapeurs sont extrêmement explosives. Un incendie et des explosions peuvent causer des brûlures graves et/ou la mort. Tenez l'essence à l'écart des flammes, des étincelles et de toute autre source d'allumage. Remplissez le réservoir de carburant à l'extérieur dans un endroit bien aéré avec le moteur arrêté et froid. Essuyez l'essence renversée et laissez le moteur sécher avant de le démarrer. Gardez un extincteur à portée de la main pendant le remplissage de carburant. N'utilisez pas le moteur avec des fuites dans le circuit d'alimentation. N'entreposez pas l'essence à proximité de matières inflammables.



### CAPTEUR DE NIVEAU D'HUILE BAS

Le détecteur de niveau d'huile bas (s'il est présent) arrête automatiquement le moteur si le niveau d'huile est inférieur à la limite sécuritaire. Pour éviter un arrêt inattendu, vérifiez régulièrement le niveau d'huile, remplissez jusqu'à la limite supérieure et utilisez toujours le moteur sur une surface plane.



### INSPECTER

Faute d'inspecter ce produit avant utilisation, des dommages au produit, des blessures graves ou la mort peuvent survenir. Pour éviter ces dangers, inspectez le laveur sous pression avant chaque utilisation. Vérifiez si des pièces sont desserrées ou endommagées, les signes de fuites d'huile ou de carburant, si des protections sont manquantes et toute autre condition susceptible d'affecter l'utilisation appropriée. Réparez ou remplacez toutes les pièces endommagées ou défectueuses et maintenez les protections de sécurité en place et en bon état de fonctionnement avant d'utiliser le laveur sous pression.



### VAPEURS TOXIQUES

Les gaz d'échappement du moteur contiennent du monoxyde de carbone, un gaz inodore, incolore et toxique. Faire fonctionner un moteur à l'intérieur tue en quelques minutes. N'utilisez jamais ce produit à l'intérieur d'une maison, d'un garage ou de tout autre type de bâtiment fermé, même avec les portes et fenêtres ouvertes. Faites fonctionner le moteur à une distance d'au moins à 20 pieds (6 mètres) des fenêtres, portes et aérateurs. Tenez compte soigneusement du sens du vent et des courants d'air lorsque vous utilisez ce produit à l'extérieur, pour éviter d'inhaler les gaz d'échappement du moteur. Utilisez toujours un détecteur de monoxyde de carbone dans des bâtiments occupés, à proximité du moteur.

## **AVERTISSEMENT:** TRANSPORT

Le transport du laveur sous pression dans un espace fermé d'un véhicule de transport où les températures peuvent augmenter peut provoquer la vaporisation et la fuite de carburant. L'essence est hautement inflammable et ses vapeurs sont extrêmement explosives. Un incendie et des explosions peuvent causer des brûlures graves et/ou la mort. Pour éviter ces dangers, sécurisez le laveur sous pression dans une zone bien aérée, à l'abri du soleil et autres sources de chaleur et ne le transportez pas sur des routes irrégulières si le carburant n'a pas été vidangé au préalable.

## **AVERTISSEMENT:** LIQUIDES VOLATILS

Le lavage sous pression avec des liquides volatils, inflammables ou corrosifs peut endommager le laveur sous pression et causer un incendie ou une explosion entraînant des blessures graves et/ou la mort. Pour éviter ces dangers, utilisez exclusivement des détergents et substances chimiques approuvés, ne tentez pas de laver sous pression avec des liquides volatils, inflammables ou corrosifs et n'utilisez JAMAIS de chlore.

## **AVERTISSEMENT:** BLESSURE PAR INJECTION

Les hautes pressions créées par un laveur sous pression peuvent provoquer des blessures par injection de liquide, des lacérations graves, des amputations et/ou la mort. Pour éviter ces dangers, orientez toujours le pistolet de pulvérisation et la lance dans une direction sécuritaire et ne tentez jamais de toucher une fuite dans un boyau ou un raccord sous haute pression.

## **AVERTISSEMENT:** RÉTRACTION RAPIDE

Le rétraction rapide (également appelée recul) du cordon de démarrage à enrouleur du moteur tire votre main et votre bras vers le moteur plus rapidement que vous ne pouvez lâcher la poignée, provoquant des foulures, fractures, lacérations et/ou amputations traumatiques. Le recul est provoqué par une détérioration de la clé de vilebrequin du moteur, une défaillance de décompression et/ou des techniques de démarrage inappropriées. Pour éviter le recul, respectez le programme d'entretien approprié et les instructions de démarrages indiquées dans le manuel de l'utilisateur et faites réparer le moteur par un centre de service agréé.

## **ATTENTION:** SURFACES CHAUDES

Un moteur en fonctionnement produit de la chaleur. Les surfaces du moteur, d'autres composants connexes et les gaz d'échappement du moteur chauffent suffisamment pour provoquer des brûlures légères à modérées ou pour mettre le feu à des matières par contact. Pour éviter les brûlures, ne touchez pas les surfaces du moteur ni les gaz d'échappement et laissez le moteur refroidir complètement avant de le déplacer, le toucher ou l'entretenir. Pour éviter un incendie, tenez toutes les matières inflammables à distance d'au moins cinq pieds de tous les côtés du produit.

## **ATTENTION:** HUILE CHAUDE

L'huile chaude peut provoquer des brûlures graves. Pour éviter les brûlures lors du changement ou de la vérification de l'huile moteur, utilisez des gants pour empêcher l'huile chaude d'entrer en contact avec la peau et changez l'huile lorsque le moteur est tiède mais pas chaud.

## **AVIS** PRODUITS DE NETTOYAGE CHIMIQUES

L'utilisation de produits de nettoyage chimique et/ou de liquides corrosifs peut endommager les joints du laveur sous pression et ses composants internes. Les dommages causés par les produits de nettoyage chimiques et les liquides corrosifs ne sont pas couverts par la garantie. Pour éviter ces risques, utilisez seulement des produits de nettoyage chimiques approuvés, n'employez jamais de chlore et faites toujours circuler de l'eau propre dans le laveur sous pression après avoir utilisé des substances chimiques.

## **AVIS** ADDITIFS D'ESSENCE

L'utilisation d'additifs de nettoyage du circuit de carburant peut endommager le moteur et les circuits de carburant. Les dommages causés par l'utilisation d'additifs de nettoyage du circuit de carburant ne sont pas couverts par la garantie. Pour éviter d'endommager le moteur et le circuit de carburant, n'utilisez pas d'additifs de nettoyage du circuit de carburant.

## **AVIS**

Cet appareil n'est pas destiné à être utilisé par des personnes (y compris des enfants) dont les capacités physiques, sensorielles ou mentales sont réduites ou qui manquent d'expérience et de connaissances, à moins qu'elles n'aient bénéficié d'une surveillance ou de formation concernant l'utilisation de l'appareil de la part d'une personne responsable de leur sécurité.

Les enfants doivent être surveillés afin de s'assurer qu'ils ne jouent pas avec l'appareil.

## **AVIS** UTILISEZ L'HUILE MOTEUR CORRECTE

L'huile est un facteur majeur qui affecte la performance et la durée de service d'un moteur. Utiliser une huile incorrecte peut endommager le moteur et annuler la garantie. Pour éviter d'endommager le moteur et d'annuler la garantie, vérifiez et changez l'huile selon les besoins en utilisant l'huile moteur correcte.

## **AVIS** DOMMAGES DE LA POMPE

Couper l'arrivée d'eau à votre pompe alors que le moteur fonctionne endommage la pompe. Les dommages causés par le fonctionnement de la pompe sans eau ne sont pas couverts par la garantie. Pour éviter ce risque, arrêtez toujours le moteur avant de couper l'arrivée d'eau.

## **AVIS** ESSENCE ANCIENNE

L'essence ancienne peut créer des dépôts qui bouchent le circuit de carburant, provoquant un démarrage difficile et une performance médiocre. Les dommages causés par l'essence ancienne ne sont pas couverts par la garantie. Pour réduire les dépôts, éviter les problèmes de performance associés et éviter des réparations dispendieuses, n'utilisez pas d'essence plus ancienne que 30 jours.

## **AVIS** MÉLANGES À BASE D'ALCOOL

L'utilisation d'essence contenant un mélange à base d'alcool supérieur à 10 % (E10) endommage le moteur. Les dommages causés par l'utilisation d'un mélange à base d'alcool à 15 % (E15), 85 % (E85) ou tout autre mélange d'alcool supérieur à 10 % (E10) ne sont pas couverts par la garantie. Pour éviter les dommages au moteur causés par un mélange d'alcool trop élevé, utilisez de l'essence à 10 % (E10) d'alcool au maximum.

## **AVIS** NE PAS REMPLIR EXCESSIVEMENT LE RÉSERVOIR DE CARBURANT

Le remplissage excessif du réservoir de carburant peut endommager le réservoir à charbon actif (s'il est présent), produire une performance médiocre du moteur et annuler la garantie. Pour éviter ces dangers, ne pas remplir le réservoir de carburant au-dessus du niveau maximum.

## **AVIS** PURGE DE LA POMPE

L'utilisation d'une pompe de laveur sous pression sans eau endommage sévèrement les joints de la pompe ainsi que d'autres composants internes. Pour éviter ce risque, vérifiez de l'alimentation en eau est ininterrompue, qu'elle fournit au moins 5 GPM à 20 PSI et purgez toujours l'air de la pompe de votre laveur sous pression avant de démarrer le moteur.

Consultez la section « Assemblage / Raccordement des tuyaux » de ce guide de démarrage rapide pour savoir comment purger la pompe de l'air.

## **AVIS** DOMMAGES DE PULVÉRISATION

La pulvérisation sous haute pression peut endommager les plantes et autres surfaces. Pour éviter d'endommager les plantes, couvrez-les avant de pulvériser à proximité. Pour éviter d'endommager les surfaces. Consultez le tableau Sélection de la buse dans ce manuel pour connaître la buse correcte et testez les surfaces avant de pulvériser pour vérifier si elles sont suffisamment robustes pour supporter une pulvérisation sous haute pression.

## **AVIS** ALTITUDE

L'utilisation du moteur avec un kit d'injection haute altitude pour le carburateur en-dessous de 1 524 mètres (5 000 pieds) peut causer la surchauffe du moteur. Surchauffer le moteur peut l'endommager sérieusement. Pour éviter ce risque, vérifiez que le kit de carburateur correct est installé et que le mélange air/carburant est réglé correctement pour votre altitude.

## **AVIS** NETTOYAGE

L'eau peut endommager les composants du moteur du laveur sous pression si elle pénètre par les fentes de refroidissement ou d'autres orifices. Les dommages causés par la pénétration d'eau ne sont pas couverts par la garantie. Pour éviter les dommages causés par l'eau, n'utilisez pas un laveur sous pression, un boyau de jardin ou toute autre source d'eau courante pour nettoyer le moteur du laveur sous pression et ne l'immergez jamais dans un liquide quelconque.

## **AVIS** ENTREPOSAGE DE L'ESSENCE

Il est important afin d'empêcher les dépôts de gomme de se former dans les pièces essentielles du circuit d'alimentation, comme le carburateur, le filtre du carburant, le tuyau du carburant ou le réservoir durant l'entreposage. Les carburants mélangés à l'alcool (appelés gasohol, éthanol ou méthanol) attirent l'humidité ce qui entraîne la séparation et la formation d'acides durant l'entreposage. Le carburant acide et les dépôts de gomme peuvent endommager le circuit de carburant du moteur lorsqu'il est entreposé. Les dommages causés par l'utilisation de carburant ancien, éventé ou contaminé ne sont pas couverts par la garantie.

## **AVIS** DOMMAGES DE LA POMPE

Utiliser le laveur sous pression pendant plus de deux minutes sans tirer sur la gâchette du pistolet de pulvérisation surchauffe la pompe et peut éventuellement provoquer des dommages. La soupape de sûreté thermique s'ouvre et pulvérise l'eau pour contribuer à refroidir la pompe quand elle surchauffe. Pour éviter de surchauffer la pompe, arrêtez la machine si elle reste inutilisée pendant plus de deux minutes.

## **AVIS** DOMMAGES DUS AU GEL

Chaque fois que le laveur sous pression risque d'être exposé à des températures glaciales, l'eau restante doit être vidangée de la pompe, du tuyau à haute pression et de l'ensemble du pistolet de pulvérisation. Vidangez le tuyau, le pistolet de pulvérisation et la pompe comme expliqué dans le manuel d'utilisation et d'entretien du laveur sous pression. Il est conseillé de purger la pompe de l'eau en utilisant Simpson® Pump Guard ou un produit de protection de la pompe équivalent.

## **AVERTISSEMENT DE LA PROPOSITION 65 DE LA CALIFORNIE**

Ce produit et les gaz d'échappement du moteur peuvent vous exposer à des produits chimiques connus dans l'État de Californie pour provoquer des cancers, des anomalies congénitales ou d'autres problèmes de reproduction. Pour plus d'informations sur la proposition 65 de l'État de Californie, consultez le site [www.P65Warnings.ca.gov](http://www.P65Warnings.ca.gov).



## Déballage :

1. Placez la boîte d'expédition sur une surface plane et solide.
2. Découpez soigneusement le dessus du carton.
3. Coupez soigneusement chaque coin du carton de haut en bas.
4. Dépliez chaque côté du carton à plat sur le sol.
5. Retirez tout ce qui se trouve dans la boîte.

## Assemblage / Raccordement des tuyaux :

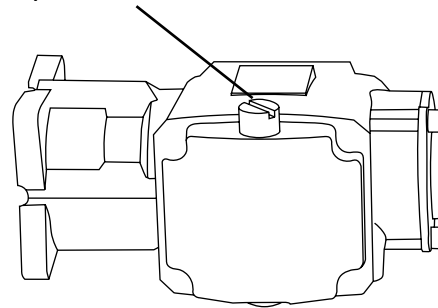
1. **(Le cas échéant)** Ajoutez le bouchon reniflard de la pompe.

**IMPORTANT!**

Un bouchon d'expédition ROUGE se trouve dans la pompe qui doit être remplacé par un bouchon reniflard NOIR. Le capuchon est facile à remplacer en suivant les étapes suivantes :

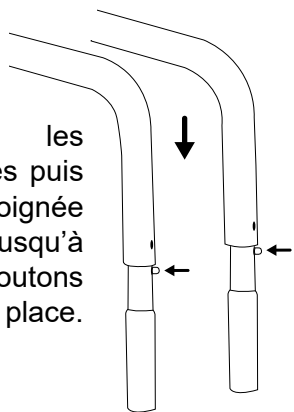
1. À l'aide d'un tournevis à lame, retirez le bouchon d'expédition ROUGE du haut de la pompe.
2. Visser à la main le bouchon reniflard NOIR dans la pompe.
3. Serrez le capuchon avec vos doigts.

Bouchon d'expédition ROUGE

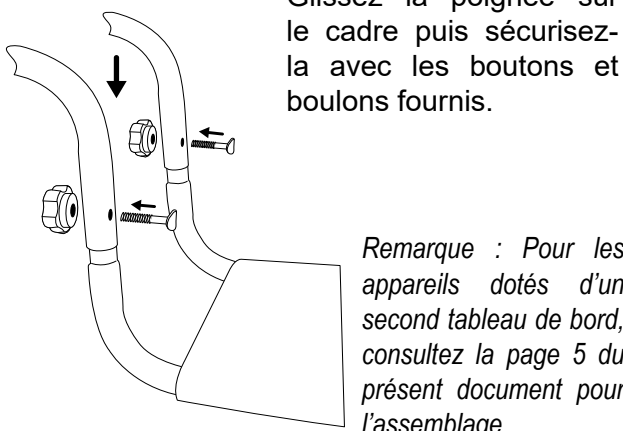


Bouchon reniflard NOIR

2. Maintenez les boutons enfoncés puis glissez la poignée sur le cadre jusqu'à ce que les boutons s'enclenchent en place.



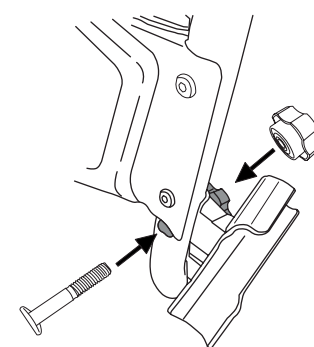
OU



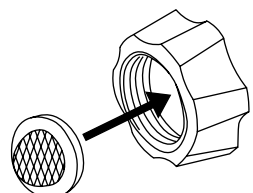
Glissez la poignée sur le cadre puis sécurisez-la avec les boutons et boulons fournis.

Remarque : Pour les appareils dotés d'un second tableau de bord, consultez la page 5 du présent document pour l'assemblage.

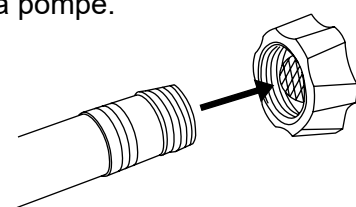
3. Installez l'étui du pistolet de pulvérisation (si présent) sur la poignée à l'aide du bouton et du boulon fournis.



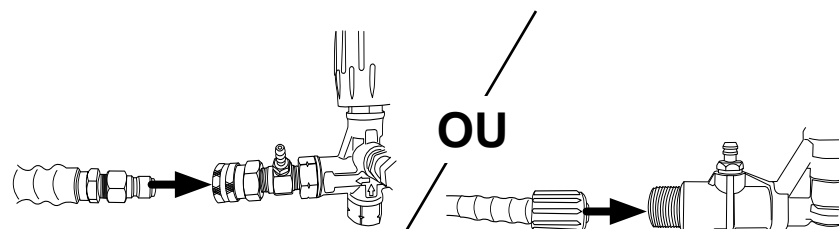
4. Vérifiez que le filtre d'entrée est propre, à l'intérieur de l'entrée de la pompe et que la face convexe est tournée vers l'extérieur.



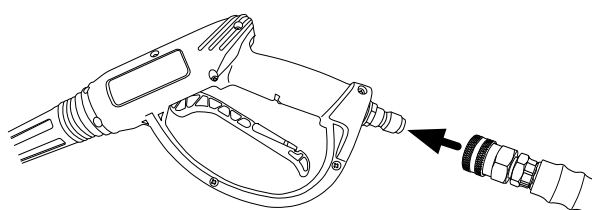
5. Ouvrez l'arrivée d'eau et laissez-la couler pendant 30 secondes pour purger la saleté ou les débris du boyau d'alimentation. Coupez ensuite l'arrivée d'eau et vissez le boyau d'eau dans l'entrée de la pompe.



6. Insérez le raccord rapide (QC) du boyau haute pression dans le QC de sortie femelle sur la pompe ou vissez le boyau haute pression sur la sortie de la pompe.

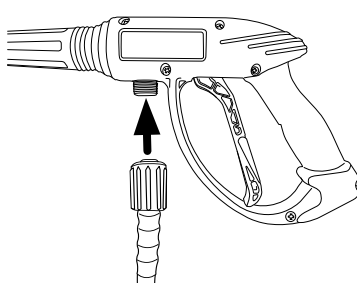


7. Insérez le raccord QC mâle du pistolet de pulvérisation dans le connecteur QC femelle sur le boyau haute pression.



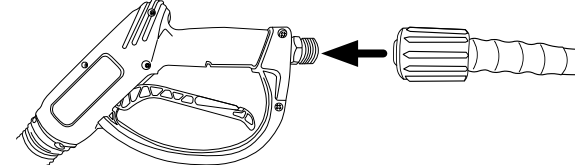
OU

Vissez le boyau haute pression sur l'entrée du pistolet de pulvérisation.

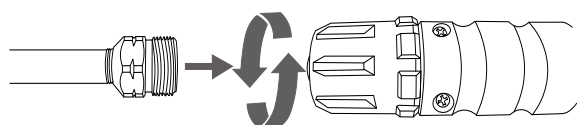


OU

Vissez le boyau haute pression sur l'entrée du pistolet de pulvérisation.

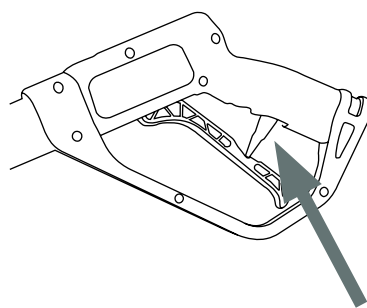


8. Fixez la lance au pistolet en tournant avec précaution le coupleur du pistolet de pulvérisation jusqu'à ce que le coupleur cesse de tourner. Ne serrez pas trop fort. La plupart des filetages de la lance ne seront pas visibles si la lance et le pistolet sont correctement assemblés. Assurez-vous de ne pas croiser les filetages du pistolet et de la lance.

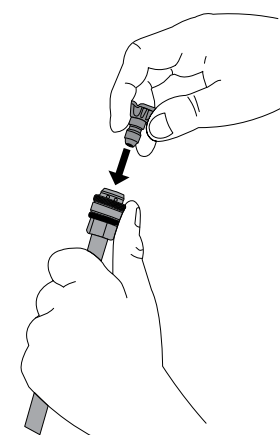


**AVERTISSEMENT!** Les filetages du coupleur de la lance et du pistolet peuvent être facilement croisés, ce qui entraîne un assemblage incorrect. Un assemblage incorrect du pistolet et de la lance peut entraîner des blessures. Ne pas utiliser si les filetages du coupleur du pistolet et/ou de la lance sont croisés.

9. Ouvrez l'arrivée d'eau, orientez le pistolet de pulvérisation dans une direction sécuritaire et maintenez la gâchette enfoncée pendant au moins 30 secondes ou jusqu'à ce que l'eau coule régulièrement et que tout l'air soit purgé de la pompe et des boyaux. Une fois l'opération terminée, enclenchez le verrou de la gâchette.

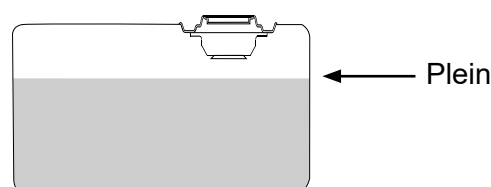


Gâchette illustrée en position verrouillée. N'oubliez pas de toujours verrouiller la gâchette lorsqu'elle n'est pas utilisée.



10. Sélectionnez la buse correcte pour votre travail de nettoyage selon le tableau de sélection de buse dans ce document et installez-la sur la lance en tirant le raccord rapide en arrière, en insérant la buse puis en relâchant le raccord pour qu'il s'enclenche en place.

11. Retirez le bouchon d'essence, remplissez le réservoir de carburant avec de l'essence neuve puis remettez le bouchon. Assurez-vous de ne pas croiser les filetages du pistolet et de la lance.



Plein

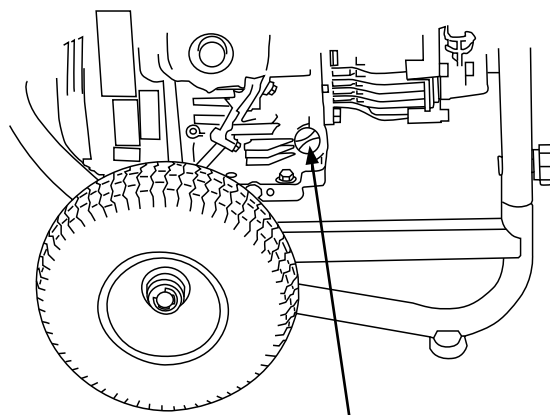
**REMARQUE :** Remplissez avec le moteur arrêté et froid. Ne remplissez pas excessivement le réservoir de carburant.

## Remplissez le moteur d'huile :

1. Placez la machine sur une surface plane puis retirez la jauge à huile du moteur en la dévissant.

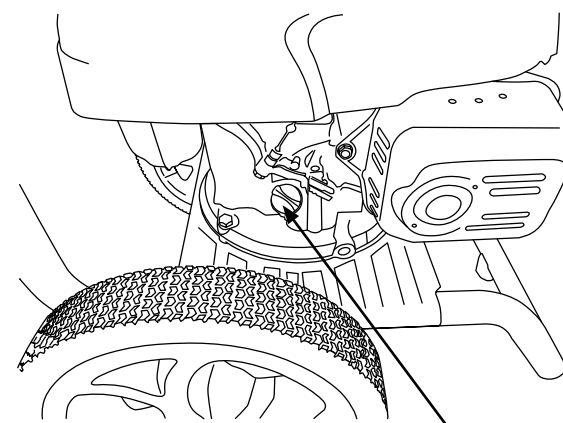
### AVIS

Ce laveur sous pression a été expédié de l'usine sans huile dans le moteur. Utiliser le moteur sans huile peut provoquer de graves dommages au moteur et annuler la garantie. Pour éviter ces risques, remplissez le moteur avec le type d'huile recommandé avant de le démarrer.



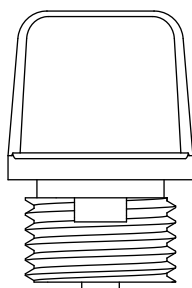
Jauge d'huile moteur

OU



Jauge d'huile moteur

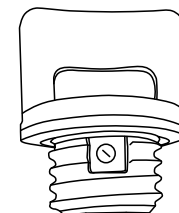
2. Remplissez le moteur avec l'huile correcte selon le manuel de l'utilisateur du moteur. Le niveau d'huile doit être proche du repère supérieur de la jauge à huile. Remettez la jauge à huile en place une fois le moteur rempli.



Limite supérieure

Limite inférieure

OU

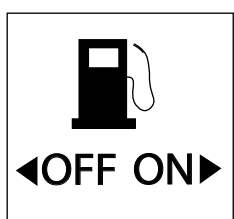
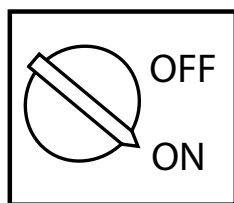


Limite supérieure

Limite inférieure

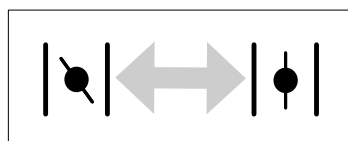
## Démarrage :

1. Tournez le commutateur d'allumage du moteur et la vanne de carburant en position ON.



2. Réglez le starter selon les besoins.

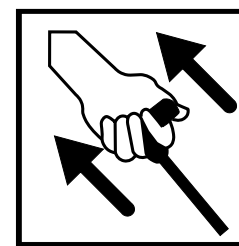
FERMÉ



OUVERT

**REMARQUE :** La position de démarrage du volet de départ varie en fonction de la température du moteur. Pour démarrer un moteur froid, placez le levier du volet de départ proche de la position fermée. Pour démarrer un moteur chaud, placez le levier du volet de départ proche de la position ouverte. Une fois le moteur chaud, vous pouvez devoir régler le starter vers la position ouverte jusqu'à ce que le ralenti soit régulier.

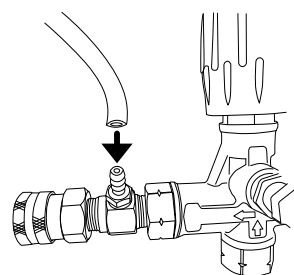
3. Tirez lentement sur le cordon à enrouleur jusqu'à sentir une résistance puis tirez dessus rapidement pour démarrer le moteur.



4. Laissez le moteur chauffer pendant 1 à 2 minutes avant d'utiliser le produit.

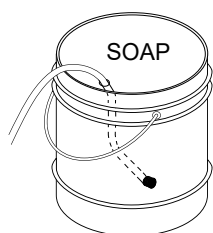
## Utilisation de substances chimiques :

1. Fixez l'extrémité ouverte du boyau de détergent sur le raccord cannelé de la pompe.

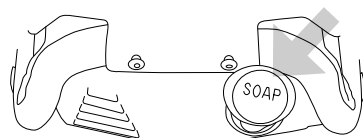


2. Placez l'extrémité filtrée du boyau de détergent dans un contenant de détergent ou remplissez le réservoir de détergent

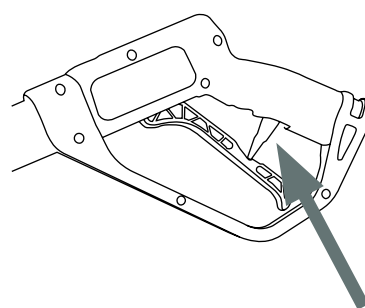
**REMARQUE :** Utilisez seulement des détergents approuvés pour utilisation dans un laveur sous pression.



OU

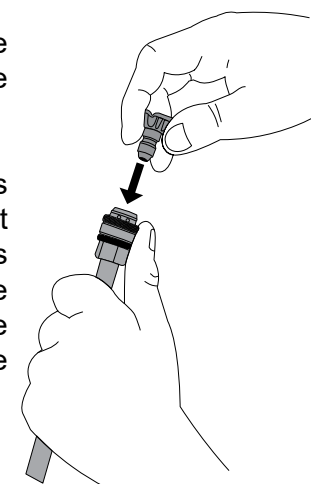


3. Si le moteur est en marche, assurez-vous que le verrou de la gâchette est en position verrouillée avant de retirer et d'installer les buses.



4. Insérez la buse noire dans la lance de pulvérisation.

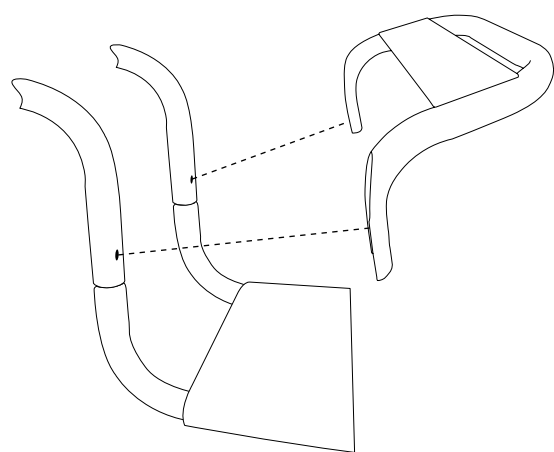
**REMARQUE :** Les détergents ne sont pas siphonnés si la buse noire n'est pas installée sur la lance de pulvérisation.



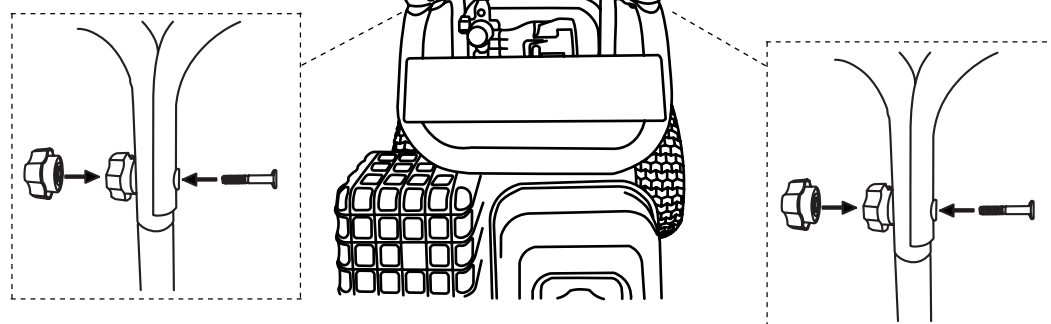
**REMARQUE :** Après avoir utilisé du détergent, placez l'extrémité filtrée du boyau de détergent dans un contenant d'eau propre et actionnez le laveur sous pression pour tirer l'eau propre à travers le boyau et pompez jusqu'à ce que le système soit soigneusement rincé. La pompe peut être endommagée si du détergent ou d'autres substances chimiques demeurent dans la pompe. Les dommages de la pompe dus au détergent et au résidu chimique ne sont pas couverts par la garantie.



## Assemblage du tableau de bord double : (le cas échéant)



**1.** Placez le second tableau de bord sur la poignée en veillant à aligner les trous de la poignée et du second tableau de bord.



**2.** Fixez le deuxième tableau de bord à la poignée à l'aide des boulons et des boutons fournis.

## Sélection d'une buse :

Couleur	Modèle de pulvérisation	Utilisations	Surfaces
Rouge	0°	Nettoyage ponctuel de surfaces dures, non peintes et des zones en hauteur	Métal et béton non peint NE PAS utiliser sur le bois
Jaune	15°	Nettoyage intense des surfaces non peintes	Grilles, allées, trottoirs en béton et en brique, brique et stuc non peints
Vert	25°	Buse de nettoyage standard pour la plupart des applications	Outils de chantier, trottoirs, meubles de jardin, revêtement non peint, stuc, caniveaux, avant-toits, surfaces en béton et brique
Blanc	40°	Nettoyage des surfaces peintes ou délicates	Autos, camions, RV, bateaux, bois, brique peinte, stuc peint, vinyle et revêtements peints
Noir	Détergent	Application des solutions de nettoyage	Sécuritaire sur toutes surfaces. Vérifiez toujours la compatibilité des solutions de nettoyage avant l'emploi.

**REMARQUE :** Vérifiez toujours que la buse est correctement installée en tirant doucement dessus après l'avoir insérée dans le raccord rapide avant d'utiliser le laveur sous pression.

## Conseils de lavage sous pression :

- Régalez le verrouillage de la gâchette sur le pistolet de pulvérisation lorsqu'il n'est pas utilisé.
- Une pulvérisation plus large permet de nettoyer plus rapidement, alors qu'une pulvérisation plus étroite permet un nettoyage plus en profondeur.
- Ne dirigez pas la buse directement vers une surface. Tenez la lance selon un angle de 45 degrés par rapport à la surface et à une distance qui permet de bien nettoyer sans endommager.
- Tenez la buse à environ 4 pieds (1,2 mètres) du revêtement pour éviter d'endommager les surfaces.
- Lavez le revêtement en commençant en bas et en progressant vers le haut, puis rincez de haut en bas.
- Évitez d'envoyer de l'eau derrière le revêtement.
- Pour un nettoyage uniforme, utilisez des passages qui se chevauchent.
- Travaillez des surfaces plus petites et ne laissez pas le détergent sécher sur les surfaces.
- En cas de risque de gel, évacuez l'eau restante du tuyau haute pression, de l'ensemble du pistolet de pulvérisation et de la pompe, comme indiqué dans le manuel d'utilisation et d'entretien du laveur sous pression. Nous vous conseillons de protéger la pompe à l'aide du Simpson® Pump Guard.



Para obtener el manual completo, incluyendo sus términos de garantía, escanee el código o envíe un mensaje de texto al número en la etiqueta Aprender más en la máquina, o visite <https://www.simpsoncleaning.com>, o póngase en contacto con Soporte al cliente al 1-877-362-4271 o por correo electrónico: [cservice@fna-group.com](mailto:cservice@fna-group.com)



SCAN QR CODE OR TEXT  
MODEL #  
TO 1 (888) -4567

## Notas:

1. Esta guía de inicio rápido no es un reemplazo para el manual del propietario. **Asegúrese de descargar y leer el manual del propietario antes de operar la máquina por primera vez.**
2. Lea toda la información en la sección de seguridad de este documento y todos los manuales de usuario relacionados antes de operar la máquina.
3. Realice los procedimientos descritos en esta guía de inicio rápido antes de operar la máquina.

## Contacto:

Si tiene alguna pregunta sobre el desempaquete, ensamble o uso de su lavadora a presión, tenga a mano su número de modelo y número de serie y comuníquese con atención al cliente al **1-877-362-4271** o por correo electrónico **cservice@fna-group.com**.

## Renuncias de responsabilidad:

- Toda la información en esta guía se basó en la información más reciente del producto disponible al momento de la impresión.
- Esta guía puede cubrir más de una máquina. Los dibujos de esta guía se deben usar únicamente para referencia. Pueden haber diferencias entre su producto y las imágenes, dibujos y/o diagramas usados en esta guía.
- Como un compromiso continuo para mejorar la calidad, el fabricante se reserva el derecho de actualizar, cambiar y / o mejorar el (los) producto(s) cubierto(s) en esta guía en cualquier momento, sin previo aviso, y sin incurrir en ninguna obligación. Por lo tanto, el (los) producto(s) que cubre(n) esta guía puede(n) diferir ligeramente de los mostrados.

## Seguridad:

**NOTA:** Asegúrese de entender la información de seguridad indicada a continuación. Cada casilla contiene una de tres palabras: ADVERTENCIA, PRECAUCIÓN, o AVISO, cada una de estas palabras indica un nivel diferente de severidad de peligro y es seguida por información sobre peligros específicos, las consecuencias de los peligros e instrucciones sobre cómo evitarlos. La omisión en atender estos símbolos y la información provista con ellos podría resultar en daño a la propiedad, lesiones y/o la muerte.



### ADVERTENCIA:

Indica una situación potencialmente peligrosa que, si no se evita, podría provocar daños a la propiedad, lesiones graves y/o la muerte.



### PRECAUCION:

Indica una situación peligrosa que, si no se evita, podría provocar daños a la propiedad y/o lesiones menores a moderadas.

## AVISO

Indica información que se considera importante pero no está relacionada directamente con un peligro.



### ADVERTENCIA:

#### LISTA DE VERIFICACIÓN DE OPERACIÓN

Intentar arrancar el motor incorrectamente o usar la lavadora a presión incorrectamente puede resultar en daño al motor y/o lavadora a presión, y puede causar lesiones serias o la muerte. Para evitar estos peligros, asegúrese de leer, comprender y seguir los pasos descritos en la sección LISTA DE VERIFICACIÓN DE OPERACIÓN del manual del propietario antes de arrancar el motor, y siga todas las pautas para el uso adecuado de la lavadora a presión.



### ADVERTENCIA:

#### OPERACIÓN SIN CAPACITACIÓN

Las personas sin capacitación, niños pequeños, y mascotas se pueden lesionar seriamente o morir si se permite que operen incorrectamente o jueguen con una lavadora a presión en operación. Para evitar estos peligros, asegúrese que cualquier persona que opere la lavadora a presión reciba instrucciones adecuadas, entienda la operación segura, y haya leído el manual del propietario antes de operar este producto. No permita que niños operen la lavadora a presión sin supervisión de los padres. Mantenga a los niños pequeños y mascotas alejados de la lavadora a presión mientras esté en operación. Siempre apague la lavadora a presión antes de abandonar el área.



## AVISO

#### LLENE EL ACEITE DEL MOTOR ANTES DE USAR

El motor se envía de fábrica sin aceite. Operar el motor sin aceite resultará en daños severos al motor y anulará la garantía. Para evitar dañar el motor y anular la garantía, llene el motor con el tipo de aceite recomendado.



### ADVERTENCIA:

#### PARTES MÓVILES

Este producto tiene muchas partes que se mueven a altas velocidades. Las partes móviles pueden causar lesiones por aplastamiento, fracturas, laceraciones severas, y/o amputaciones traumáticas. Para evitar lesiones, nunca coloque los dedos, manos, pies, u otras partes del cuerpo cerca del motor en operación. Nunca opere el productor con las cubiertas, aros de refuerzo u otras protecciones retirados. No use ropa holgada, cordones que cuelguen, o cualquier otro artículo que cuelgue que se pudiera enredar en las partes móviles durante la operación. Ate el cabello largo y quítese las joyas antes de operar.



### ADVERTENCIA:

#### ABASTECIMIENTO DE COMBUSTIBLE

La gasolina es altamente inflamable y sus vapores son extremadamente explosivos. Los incendios y explosiones pueden causar quemaduras graves y/o la muerte. Mantenga la gasolina alejada de llamas, chispas y otras fuentes de ignición. Rellene el combustible al aire libre en un área bien ventilada con el motor parado y frío. Limpie la gasolina derramada y deje que el motor se seque antes de arrancar. Mantenga un extintor de incendios a mano mientras recarga combustible. No opere el motor con fugas en el sistema de combustible. No almacene gasolina cerca de otros materiales inflamables.



### ADVERTENCIA:

#### LÍQUIDOS VOLÁTILES

El lavado a presión con líquidos volátiles, inflamables o corrosivos podría causar daños, incendio o explosión en la lavadora a presión y provocar lesiones graves y/o la muerte. Para evitar estos peligros, use únicamente jabones y productos químicos aprobados, no intente lavar a presión con líquidos volátiles, inflamables o corrosivos y NUNCA use blanqueador.



### ADVERTENCIA:

#### INSPECCIÓN

La falla en revisar este producto y antes del uso podría resultar en daño al producto, lesiones serias y/o la muerte. Para evitar estos peligros, revise la lavadora a presión antes de cada uso. Verifique si hay partes sueltas o dañadas, señales de fugas de aceite o combustible, protecciones faltantes, ventilas de enfriamiento obstruidas, o cualquier otra condición que pueda afectar la operación adecuada. Repare o reemplace todas las partes dañadas o defectuosas y mantenga todas las protecciones de seguridad en su lugar y en buenas condiciones de operación antes de usar la lavadora a presión.



### ADVERTENCIA:

#### VAPORES TÓXICOS

El escape del motor contiene monóxido de carbono, un gas venenoso, inodoro e incoloro. Operar un motor en interiores lo matará en minutos. Nunca use este producto dentro de una casa, garaje o cualquier otro tipo de recinto, incluso si las puertas y ventanas están abiertas. Opere el motor en el exterior por lo menos a 20 pies (6 metros) de distancia de ventanas, puertas y ductos de ventilación. Considere cuidadosamente la dirección del viento y las corrientes de aire cuando utilice este producto al aire libre para evitar respirar el escape del motor. Siempre utilice un detector de monóxido de carbono en cualquier edificio ocupado cerca del motor en operación.



### ADVERTENCIA:

#### LESIÓN POR INYECCIÓN

Las altas presiones creadas por una lavadora a presión pueden causar lesiones por inyección de líquido, laceraciones graves, amputaciones y/o la muerte. Para evitar estos peligros, siempre apunte la pistola rociadora y la lanza en una dirección segura cuando use una lavadora a presión y nunca intente tocar una fuga en una manguera o accesorio de alta presión.



## **ADVERTENCIA:** TRANSPORTE

El transporte de la lavadora a presión en un espacio cerrado en un vehículo de transporte donde las temperaturas pueden aumentar puede hacer que el combustible se vaporice y tenga fugas. La gasolina es altamente inflamable y sus vapores son extremadamente explosivos. Los incendios y explosiones pueden causar quemaduras graves y/o la muerte. Para evitar estos peligros, asegure la lavadora a presión en un área bien ventilada fuera de la luz solar directa y otras fuentes de calor y no transporte la lavadora a presión en caminos irregulares a menos que el combustible se haya drenado previamente.

## **ADVERTENCIA:** RETRACCIÓN RÁPIDA

La retracción rápida (también conocida como contragolpe) del cable de arranque de retroceso del motor tirará de su mano y brazo hacia el motor más rápido de lo que puede soltar el mango, lo que provocará esguinces, fracturas de huesos, laceraciones y/o amputaciones traumáticas. El contragolpe es causado por daño a la llave del cigüeñal del motor, falla de liberación de compresión y/o técnicas de arranque inadecuadas. Para evitar el contragolpe, siga el programa de mantenimiento apropiado y las instrucciones de arranque indicadas en el manual del propietario y solicite que un centro de servicio autorizado realice el trabajo de reparación del motor.

## **PRECAUCION:** SUPERFICIES CALIENTES

Un motor en operación produce calor. Las superficies del motor, otros componentes relacionados y los gases de escape del motor se calientan lo suficiente como para causar quemaduras leves moderadas o encender materiales al entrar en contacto. Para evitar quemaduras, no toque las superficies del motor ni los gases de escape mientras está en funcionamiento y deje que el motor se enfríe completamente antes de moverlo, tocarlo o realizar cualquier mantenimiento. Para evitar un incendio, mantenga todos los materiales inflamables al menos a cinco pies de distancia de todos los lados del producto.

## **PRECAUCION:** ACEITE CALIENTE

El aceite caliente puede provocar quemaduras graves. Para evitar quemarse al cambiar o revisar el aceite del motor, use guantes para evitar que el aceite caliente toque la piel y cambie el aceite cuando el motor esté tibio pero no caliente.

## **AVISO** LIMPIADORES QUIMICOS

El uso de limpiadores químicos y/o líquidos corrosivos puede dañar los sellos y los componentes internos de la lavadora a presión. Los daños causados por limpiadores químicos y líquidos corrosivos no están cubiertos por la garantía. Para evitar estos peligros, sólo use productos químicos de limpieza aprobados, nunca use blanqueador y siempre deje correr agua limpia a través de la lavadora a presión después de usar productos químicos de limpieza.

## **AVISO** ADITIVOS DE GASOLINA

El uso de aditivos de limpieza del sistema de combustible puede dañar el motor y los sistemas de combustible. Los daños causados por el uso de aditivos de limpieza del sistema de combustible no están cubiertos por la garantía. Para evitar daños al motor y al sistema de combustible, no utilice aditivos de limpieza del sistema de combustible.

## **AVISO** SENSOR DE ACEITE BAJO

El sensor de bajo nivel de aceite (si está equipado) detendrá automáticamente el motor cuando el nivel de aceite caiga por debajo del límite de seguridad. Para evitar un paro inesperado, verifique el nivel de aceite con regularidad, llene hasta el límite superior y siempre opere el motor en una superficie nivelada.

## **AVISO** USE ACEITE DE MOTOR CORRECTO

El aceite es un factor importante en el desempeño y la vida útil de cualquier motor. El uso de aceite incorrecto puede dañar el motor y anular la garantía. Para evitar dañar el motor y anular la garantía, revise y cambie el aceite conforme sea necesario utilizando el aceite de motor correcto.

## **AVISO** DAÑO DE LA BOMBA

Cerrar el suministro de agua a su bomba con el motor en operación dañará la bomba. Los daños causados por operar la bomba sin agua no están cubiertos por la garantía. Para evitar este peligro, apague siempre el motor antes de cerrar el suministro de agua.

## **AVISO** GASOLINA VIEJA

La gasolina vieja puede crear depósitos que obstruyan los sistemas de combustible y dificulten el arranque y desempeño deficiente. Los daños causados por combustible viejo no están cubiertos por la garantía. Para minimizar los depósitos, evitar problemas de desempeño relacionados con el combustible antiguo y evitar costosos trabajos de reparación, no utilice gasolina con una antigüedad superior a 30 días.

## **AVISO** MEZCLAS DE ALCOHOL

El uso de gasolina con una mezcla de alcohol superior al 10% (E10) dañará el motor. Los daños causados por el uso de una mezcla de alcohol del 15% (E15), 85% (E85) o cualquier otra mezcla de alcohol superior al 10% (E10) no están cubiertos por la garantía. Para evitar daños en el motor causados por una mezcla de alcohol demasiado alta, use gasolina con un 10% de alcohol (E10) o menos.

## **AVISO** NO LLENE DEMASIADO EL TANQUE DE COMBUSTIBLE

El llenado excesivo del tanque de combustible puede provocar daños en el cartucho de carbón (si está equipado), un desempeño deficiente del motor y anular la garantía. Para evitar estos peligros, no llene el tanque de combustible por encima del nivel máximo.

## **AVISO** PURGA DE BOMBA

Operar una bomba de lavadora a presión sin agua dañará gravemente los sellos de la bomba y otros componentes internos. Para evitar este peligro, asegúrese que el suministro de agua sea ininterrumpido, proporcione por lo menos 5 GPM a 20 PSI y siempre purgue el aire de la bomba de la lavadora a presión antes de arrancar el motor.

Consulte la sección "Ensamble / Conexión de mangueras" de esta guía de inicio rápido para aprender a purgar el aire de la bomba.

## **AVISO** DAÑO POR ROCÍO

El rociado de alta presión puede dañar las plantas y otras superficies. Para evitar dañar las plantas, cúbralas antes de rociar cerca de ellas. Para evitar dañar superficies. Consulte la tabla de Selección de boquillas en este manual para conocer la boquilla correcta y las superficies de prueba antes de rociar para asegurarse que sean lo suficientemente fuertes como para resistir el rociado de alta presión.

## **AVISO** ALTITUD

Operar el motor con un juego de chorro de carburador para gran altitud a una altitud inferior a 5000 pies (1524 metros) hará que el motor se caliente demasiado. El sobrecalentamiento del motor puede provocar daños graves en el motor. Para evitar este peligro, asegúrese que esté instalado el juego de carburador correcto y que la mezcla de aire/combustible esté ajustada correctamente para su altitud.

## **AVISO** LIMPIEZA

El agua puede dañar los componentes del motor de la lavadora a presión si se deja entrar a través de las ranuras de enfriamiento u otros orificios. Los daños causados por la entrada de agua no están cubiertos por la garantía. Para evitar daños por agua en el motor, no use una lavadora a presión, manguera de jardín o cualquier otra fuente de agua corriente para limpiar el motor de la lavadora a presión, y nunca sumerja el motor de la lavadora a presión en ningún líquido.

## **AVISO** ALMACENAMIENTO DE GASOLINA

Es importante evitar que se formen depósitos de hule en las partes esenciales del sistema de combustible, como el carburador, el filtro de combustible, la manguera de combustible o el tanque durante el almacenamiento. Los combustibles mezclados con alcohol (también llamados gasohol, etanol o metanol) atraen la humedad, lo que conduce a la separación y formación de ácidos durante el almacenamiento. Los depósitos de combustible ácido y goma pueden dañar el sistema de combustible del motor mientras está almacenado. Los daños causados por el uso de combustible viejo, rancio o contaminado no están cubiertos por la garantía.

## **AVISO** DAÑO DE LA BOMBA

Operar la lavadora a presión durante más de dos minutos sin apretar el gatillo de la pistola rociadora sobrecalentará la bomba y posiblemente causará daños. La válvula de alivio térmico se abrirá y rociará agua para ayudar a enfriar la bomba a medida que se sobrecalienta. Para evitar el sobrecalentamiento de la bomba, apague la máquina si no la va a utilizar durante más de dos minutos.

## **AVISO** DAÑO POR CONGELACIÓN

Siempre que la lavadora a presión pueda experimentar temperaturas bajo cero, es necesario drenar el agua restante de la bomba, la manguera de alta presión y el ensamble de la pistola rociadora. Drene la manguera, la pistola rociadora y la bomba como se explica en el Manual de uso y cuidado de la lavadora a presión. Se sugiere purgar la bomba de agua usando Pump Guard de Simpson® o un protector de bomba equivalente.

## **AVISO**

Este aparato no está diseñado para ser utilizado por personas (incluyendo niños) con capacidades físicas, sensoriales o mentales reducidas, o falta de experiencia y conocimiento, a menos que hayan recibido supervisión o instrucciones sobre el uso del aparato por parte de una persona responsable de su seguridad.

Los niños deben ser supervisados para asegurarse que no jueguen con el aparato.

## **ADVERTENCIA DE PROPUESTA 65 DE CALIFORNIA**

Este producto y el escape del motor pueden exponerlo a sustancias químicas que en el estado de California se sabe que causan cáncer, defectos de nacimiento u otros daños reproductivos. Para obtener más información sobre la Propuesta 65 de California, visite [www.P65Warnings.ca.gov](http://www.P65Warnings.ca.gov).

## Desempaque:

1. Coloque el cartón de envío sobre una superficie sólida y plana.
2. Corte con cuidado la parte superior de la caja para abrirla.
3. Corte con cuidado cada esquina de la caja de arriba a abajo.
4. Coloque cada lado de la caja de cartón en el suelo.
5. Retire todo del cartón.

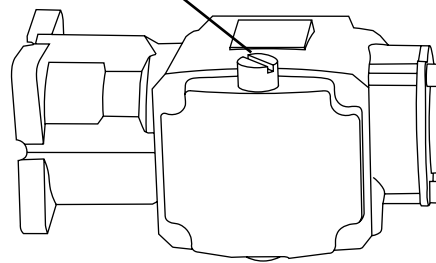
## Ensamble / Conexión de mangueras: **IMPORTANTE!**

1. **(Si corresponde)** Agregue la tapa del respiradero de la bomba.

Hay un tapón de transporte ROJO en la bomba que debe reemplazarse con una tapa de ventilación NEGRA. La tapa es fácil de reemplazar con los siguientes pasos:

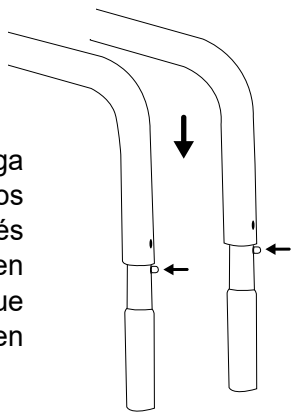
1. Con un destornillador plano, quite el tapón ROJO de envío de la parte superior de la bomba.
2. Enrosque a mano la tapa NEGRA del respiradero en la bomba.
3. Aprieta la tapa con los dedos.

Tapón de transporte ROJO

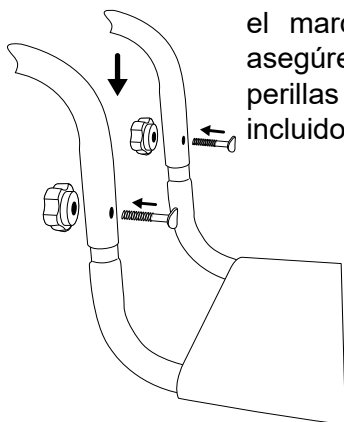


Tapón de ventilación NEGRO

2. Mantenga presionados los botones y después deslice la manija en el marco hasta que los botones encajen en su lugar.

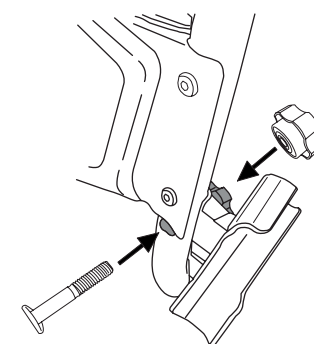


Deslice la manija en el marco y entonces asegúrela con las perillas y pernos incluidos.

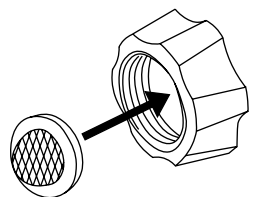


*Nota: Para las unidades que tienen un segundo tablero, consulte la página 5 de este documento para el ensamble.*

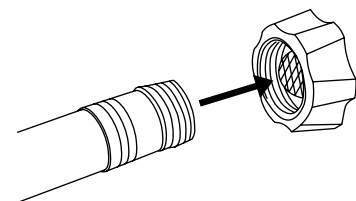
3. Instale la funda de la pistola rociadora (si aplica) en la manija usando la perilla y el perno incluidos.



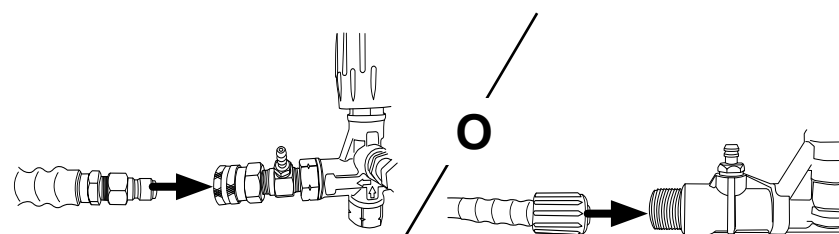
4. Asegúrese que la rejilla de entrada esté limpia, dentro de la entrada de la bomba y que tenga el lado convexo hacia afuera.



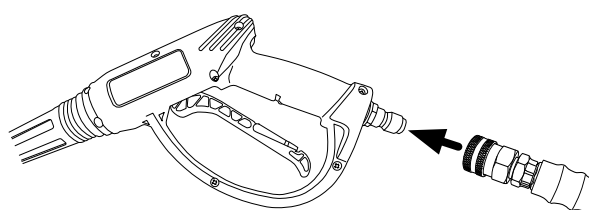
5. Abra el suministro de agua y déjelo funcionar durante 30 segundos para purgar la suciedad o los desechos de la manguera de suministro. Después, cierre el suministro de agua y enrosque la manguera de suministro de agua en la entrada de la bomba.



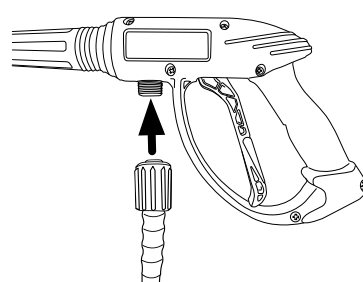
6. Inserte el enchufe macho de conexión rápida (QC) en la manguera de alta presión en la salida hembra QC de la bomba o enrosque la manguera de alta presión en la salida de la bomba.



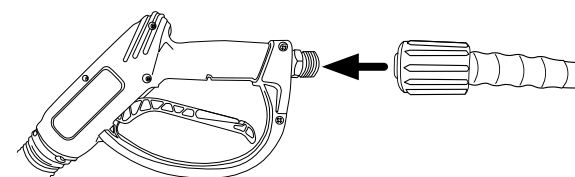
7. Inserte el enchufe QC macho de la pistola rociadora en el conector QC hembra de la manguera de alta presión.



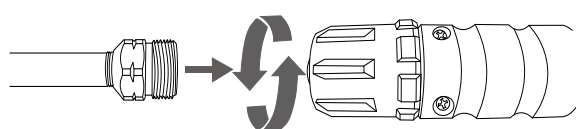
Enrosque la manguera de alta presión en la entrada de la pistola rociadora.



Enrosque la manguera de alta presión en la entrada de la pistola rociadora.

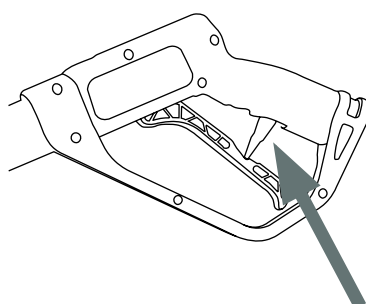


8. Asegure la lanza a la pistola girando cuidadosamente el acoplador sobre la pistola rociadora hasta que el acoplador deje de girar. No apriete en acceso. La mayoría de las roscas en la lanza no serán visibles si la lanza y la pistola se ensamblan adecuadamente. Tenga cuidado de no trasroscar la pistola y la lanza.

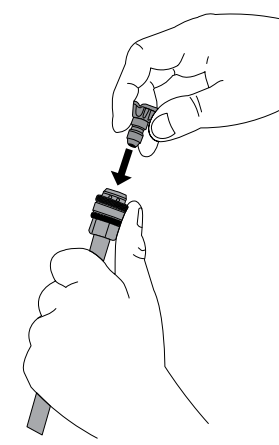


**¡ADVERTENCIA!** Las roscas del acoplador de la lanza y la pistola se pueden trasroscar fácilmente, lo que resulta en un montaje inadecuado. Un montaje incorrecto de la pistola y la lanza puede provocar lesiones personales. No lo use si las roscas del acoplador de la pistola y/o la lanza están trasroscadas.

9. Abra el suministro de agua, apunte la pistola rociadora en una dirección segura, apriete y mantenga presionado el gatillo durante por lo menos 30 segundos o hasta que el agua fluya de manera constante y se purgue todo el aire de la bomba y las mangueras. Cuando haya terminado, active el seguro del gatillo.

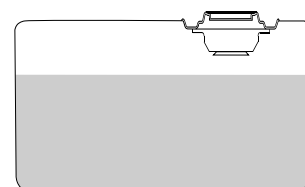


Se muestra el gatillo en la posición bloqueada. Recuerde siempre bloquear el gatillo cuando no esté en uso.



10. Seleccione la boquilla correcta para su trabajo de limpieza de acuerdo con la tabla de selección de boquillas en este documento e instálela en la lanza jalando el acoplador de conexión rápida hacia atrás, insertando la boquilla y después soltando el acoplador permitiendo que vuelva a su lugar.

11. Retire la tapa de combustible, llene el tanque de combustible con gasolina nueva y luego vuelva a colocar la tapa de combustible. Tenga cuidado de no trasroscar la pistola y la lanza.



Lleno

**NOTA:** Llene con el motor apagado y frío. No llene demasiado el tanque de combustible.

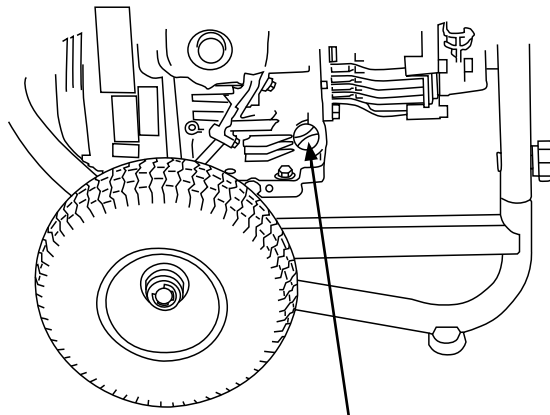


## Llene el motor con aceite:

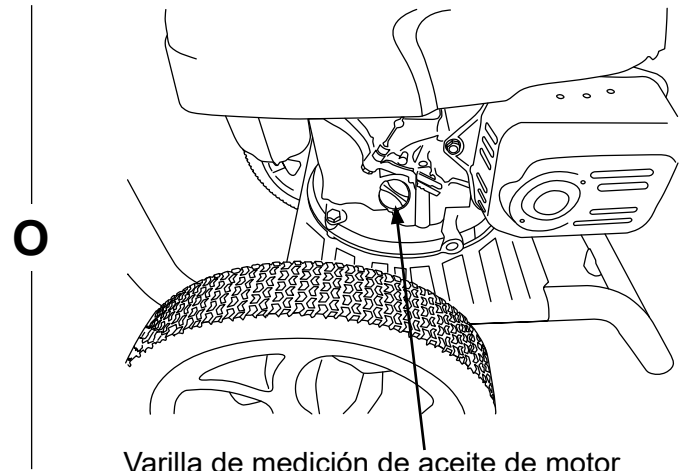
### AVISO

Esta lavadora a presión se envió de fábrica sin aceite en el motor. Operar el motor sin aceite resultará en daños severos al motor y anulará la garantía. Para evitar estos peligros, llene el motor con el tipo de aceite recomendado antes de arrancar.

1. Coloque la máquina en una superficie nivelada y luego retire la varilla de medición de aceite del motor desenroscándola.

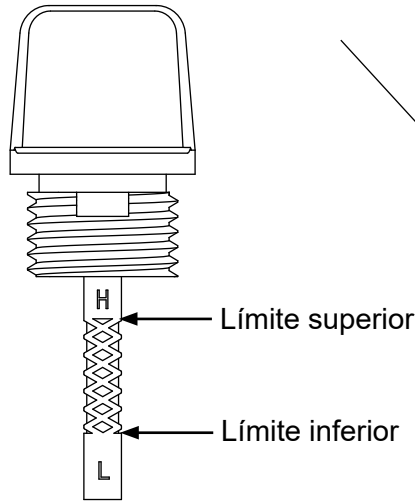


Varilla de medición de aceite de motor



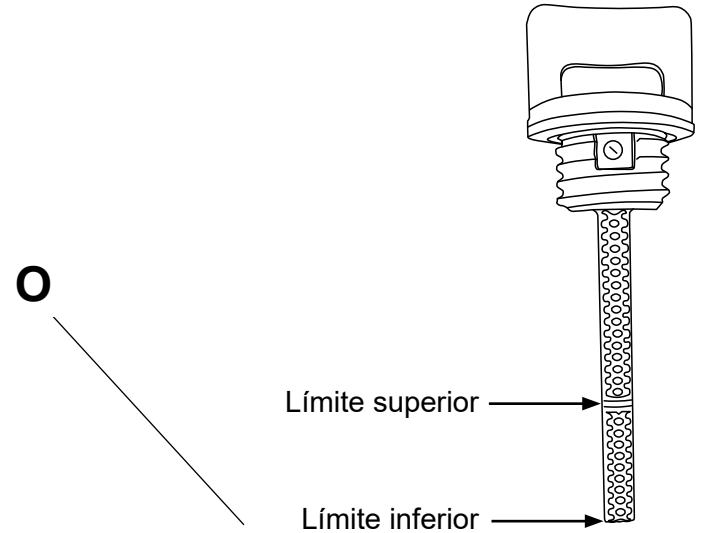
Varilla de medición de aceite de motor

2. Llene el motor con el aceite correcto de acuerdo con el manual del propietario del motor. El nivel de aceite debe estar hacia la marca alta de la varilla de medición. Reemplace la varilla de medición cuando el motor esté lleno.



Límite superior

Límite inferior

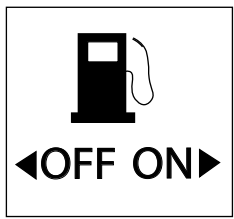
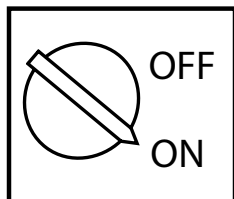


Límite superior

Límite inferior

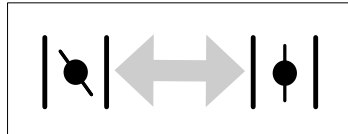
## Arranque:

1. Gire el interruptor de encendido del motor y la válvula de combustible a sus posiciones ON (encendido).



2. Ajuste el estrangulador como se necesite.

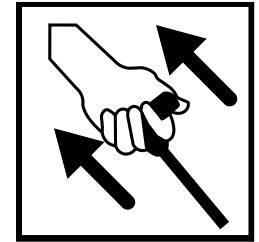
CERRAR



ABRIR

**NOTA:** La posición de arranque del estrangulador variará de acuerdo con la temperatura del motor. Si arranca un motor frío, mueva la palanca del estrangulador hacia la posición cerrada. Si arranca un motor caliente, mueva la palanca del estrangulador hacia la posición abierta. Una vez que el motor se calienta después de funcionar, es posible que deba ajustar el estrangulador hacia la posición abierta hasta que la marcha en vacío sea suave.

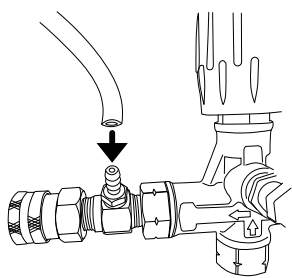
3. Jale el retroceso lentamente hasta sentir resistencia, luego tire rápidamente para arrancar el motor.



4. Permita que el motor se caliente durante 1-2 minutos antes de usar el producto.

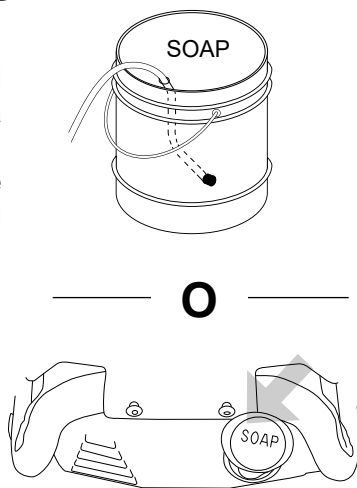
## Uso de productos químicos:

1. Conecte el extremo abierto de la manguera de jabón a la conexión de púas de la bomba.

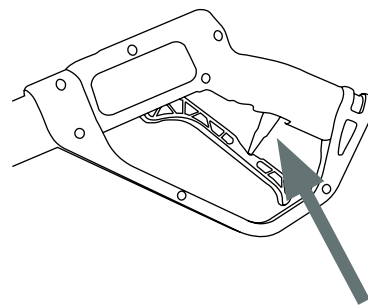


2. Coloque el extremo filtrado de la manguera de jabón en un recipiente de jabón o llene el tanque de jabón

**NOTA:** Use sólo jabones aprobados para uso con lavadoras a presión.

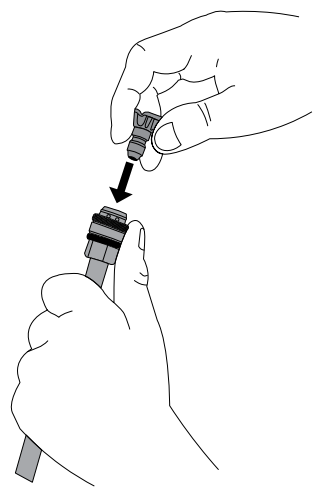


3. Si el motor está funcionando, asegúrese que el bloqueo del gatillo esté en la posición bloqueada antes de retirar e instalar las boquillas.



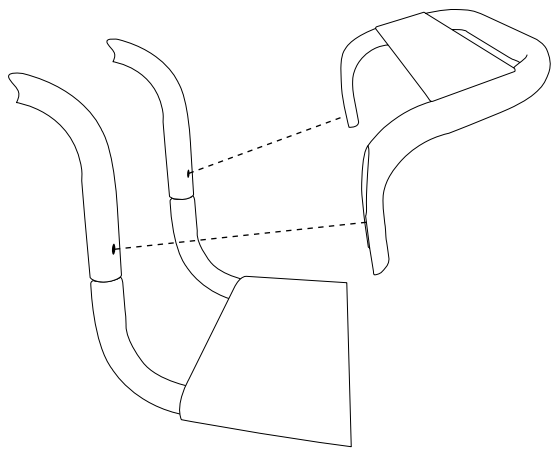
4. Inserte la boquilla negra en la varilla rociadora.

**NOTA:** Los jabones no se filtrarán si la boquilla de jabón negra no está instalada en la varilla rociadora.

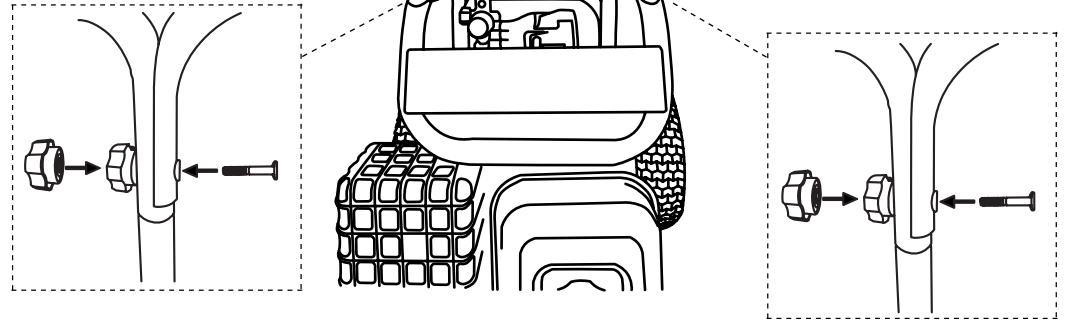


**NOTA:** Después de usar jabón, coloque el extremo filtrado de la manguera de jabón en un recipiente con agua limpia y opere la lavadora a presión extrayendo agua limpia a través de la manguera y la bomba hasta que el sistema esté completamente enjuagado. Si queda jabón u otros productos químicos en la bomba, la bomba podría dañarse. La garantía no cubre los daños a la bomba por residuos de jabón o químicos.

## Ensamble de tablero doble: (Si es aplicable)



**1.** Coloque el segundo tablero en la manija asegurándose de alinear los orificios tanto en la manija como en el segundo tablero.



**2.** Asegure el segundo tablero a la manija con los pernos y perillas suministrados

## Selección de boquilla:

Color	Patrón de rociado	Usos	Superficies
Rojo	0°	Limpieza de puntos de superficies duras, sin pintar y áreas de alto alcance	Metal y hormigón sin pintar NO usar en madera
Amarillo	15°	Limpieza intensa de superficies sin pintar	Parrillas, entradas para vehículos, pasillos de concreto y ladrillo, bloque y estuco sin pintar
Verde	25°	Boquilla de limpieza estándar para la mayoría de aplicaciones	Herramientas de jardín, aceras, muebles de jardín, revestimientos sin pintar, estuco, canaletas, aleros, superficies de concreto y ladrillo
Blanco	40°	Limpieza de superficies pintadas o delicadas	Automóviles, camionetas, vehículos recreativos, barcos, madera, ladrillo pintado, estuco pintado, vinilo y revestimiento pintado
Negro	Jabón	Aplicación de soluciones de limpieza	Seguro en todas las superficies. Siempre verifique la compatibilidad de las soluciones de limpieza antes de su uso.

**NOTA:** Siempre asegúrese que la boquilla esté instalada correctamente jalando de ella después de insertarla en el conector rápido antes de usar la lavadora a presión.

## Consejos de lavado a presión:

1. Ajuste el bloqueo del gatillo en la pistola rociadora cuando no esté en uso.
2. Un rocío más ancho equivale a una limpieza más rápida, mientras que un rocío más estrecho equivale a una limpieza más profunda.
3. No apunte la boquilla directamente a una superficie. Sostenga la varita en un ángulo de 45 grados con respecto a la superficie y a una distancia que limpie bien sin causar daños.
4. Mantenga la boquilla a unos 4 pies de distancia del revestimiento para evitar daños a las superficies.
5. Lave el revestimiento comenzando por la parte inferior y avanzando hacia arriba, luego enjuague de arriba hacia abajo.
6. Evite introducir agua detrás del revestimiento.
7. Para una limpieza uniforme, use pasos superpuestos.
8. Trabaje en áreas más pequeñas y no deje que el jabón se seque en las superficies.
9. Cuando sea posible que haya temperaturas bajo cero, elimine cualquier resto de agua de la manguera de alta presión, el ensamble de la pistola rociadora y la bomba como se indica en el Manual de uso y cuidado de la lavadora a presión. Sugerimos proteger la bomba usando Pump Guard de Simpson®.