



ELECTRIC TILLER + CULTIVATOR

16-INCH | 12-AMP

OPERATOR'S MANUAL

A Division of Snow Joe®, LLC

Model TJ603E

Form No. SJ-TJ603E-880E-MR8

IMPORTANT!


Safety Instructions

All Operators Must Read These Instructions Before Use


Always follow these safety guidelines. Failure to do so may result in serious bodily injury or death.

General Safety WARNINGS!

You and any other operator of this garden tiller + cultivator must read, understand, and follow these instructions in their entirety. Failure to follow these instructions may result in ELECTRIC SHOCK, FIRE, and/or serious PERSONAL INJURY.

Notice the personal safety alert symbol  used in this manual to draw your attention to a WARNING given along with the particular operating instruction. This means that the operation requires special ATTENTION, CAUTION, and AWARENESS.

- 1. Keep work area clean and well-lit** – Cluttered, dark areas invite accidents.
- 2. Replacement parts** – When servicing this unit, use only identical replacement parts. Replace or repair damaged cords immediately.
- 3. Keep children, bystanders, and pets away** – All spectators, including pets, should be kept a safe distance away from the work area.
- 4. Know your product** – Know how to start and stop the machine. Be thoroughly familiar with the controls.
- 5. Use the right tool** – Do not use this machine for any job except that for which it was intended.
- 6. Dress properly** – Do not wear loose clothing or jewelry as such articles can become caught in moving parts. Wear a protective covering to contain long hair. Wearing rubber gloves and substantial non-slip footwear is recommended when working outdoors.
- 7. Extension cords** – To prevent electric shock, use only with an extension cord suitable for outdoor use.
- 8. Avoid accidental starting** – Do not carry the garden tiller + cultivator with your finger on the switch. Make sure the switch is off before plugging in or unplugging the unit.

 **CAUTION!** Moving parts will continue to run for several seconds after turning off the machine.

- 9. Do not abuse the cord** – Never carry the garden tiller + cultivator by the cord or yank the cord to disconnect it from the receptacle. Keep the cord away from heat, oil, and sharp edges.
- 10. Moving parts** – Keep hands and feet away from moving parts. Keep guards in place and in proper working order.
- 11. Do not force the tool** – It will perform better with less likelihood of personal or mechanical injury if it is used at the rate for which it was designed.
- 12. Do not overreach** – Keep proper footing and balance at all times.
If the tiller + cultivator strikes a foreign object, follow these steps:
 - **Stop the electric tiller + cultivator.**
 - **Inspect for damage.**
 - **Repair any damage before restarting and operating the tool.**
- 13. Use safety glasses** – Also use safety footwear, snug-fitting clothing, protective gloves, hearing, and head protection.
- 14. Disconnect the tool** – Disconnect the tiller + cultivator from the power supply when it is not in use, before servicing it, when changing accessories, and when performing any other maintenance task.
- 15. Store idle tool indoors** – When not in use, the tiller + cultivator should be stored indoors in a dry and high or locked-up place out of the reach of children.
- 16. Maintain the tiller + cultivator with care** – Keep the cutting edges sharp and clean for optimal performance and to reduce the risk of injury. Inspect the extension cord periodically and immediately replace it if damaged. Keep the handles dry, clean, and free from oil and grease. Follow the additional recommendations described in the maintenance section of this manual.
- 17. Avoid dangerous environments** – Do not use the tiller + cultivator in rain or in damp or wet locations. Do not operate the tiller + cultivator in gaseous or explosive atmospheres or use the tiller + cultivator near flammable or combustible liquids. Motors in these tools normally spark, and the sparks might ignite fumes.
- 18. Stay alert** – Watch what you are doing. Use common sense. Do not operate the tiller + cultivator when you are tired or under the influence of drugs, alcohol, or other medication.

- 19. Check for damaged parts** – Before further use of the appliance, a guard or other part that is damaged should be carefully checked to determine that it will operate properly and perform its intended function. Check for alignment of moving parts, binding of moving parts, breakage of parts, mounting, and any other condition that may affect its operation. A guard or other part that is damaged should be properly repaired or replaced. Contact the Snow Joe® + Sun Joe® customer service center at 1-866-SNOWJOE (1-866-766-9563) for assistance.

Training

- Read, understand, and follow all instructions on the tiller + cultivator and in the manual before operating this unit. Thoroughly familiarize yourself with the controls and the proper use of the equipment. Know how to stop the unit and disengage the controls quickly.
- Children should never be allowed access to the equipment. Adults should never operate the equipment without carefully reading and understanding these instructions.
- Keep the area of operation clear of all persons, particularly small children or pets.
- Exercise caution to avoid slipping or falling.
- Always plan your cultivating path to avoid discharge of material toward people, pets, and property (e.g. windows, cars, etc.). Thrown objects can cause serious personal injury and property damage. Do not allow anyone in front of a running machine.
- Keep people, pets, and property at least 25 feet from the tiller + cultivator while it is in operation. Stop the tiller + cultivator if people or pets enter the discharge area.
- Always observe the surface conditions in order to avoid slipping, falling, and unexpected objects.

Preparation

- Always inspect the area where the tiller + cultivator is to be used. Remove all objects (i.e. stones, sticks, wires, and other foreign materials) that could be thrown by the blades or cause the operator to trip.
- Thrown objects can cause serious injury to the eyes and exposed body. Always wear safety glasses or eye shields during operation and while making an adjustment or repair.
- Always operate the tiller + cultivator wearing adequate garments. Do not wear jewelry or other loose clothing, which could become entangled in moving parts. Wear non-slip footwear to ensure proper footing.
- Observe any noise-prevention regulations and laws.
- Inspect the tiller + cultivator for worn, missing, or damaged parts and safety labels. See maintenance section for detailed instructions.

Operation

- Do not operate the machine while under the influence of alcohol or drugs.
- Keep all safety devices in place and in proper working order. Do not operate with missing or damaged components.
- Ensure the controls (start/stop) function properly before cultivating.
- Hold onto the tiller + cultivator with both hands during operation. Ensure the grips are dry.
- Contact with rotating parts can amputate hands and feet. Keep hands and feet away from all rotating parts.
- Only operate the tiller + cultivator when there is good visibility or light and dry conditions. Always watch your footing and keep a firm hold on the grips. Walk; don't run!
- Do not operate the tiller + cultivator on slippery surfaces. Check your footing during use.
- Exercise caution when changing direction and operating the tool on slopes. Always keep feet and legs a safe distance away from the machine. Look for hidden obstacles or hazards.
- Do not overload machine capacity by attempting to cultivate too deeply. It will cause excessive resistance.
- Stop the tiller + cultivator and disconnect the electric cord before leaving the operating position (behind the handles) to adjust or inspect the unit. Wait until the blades have come to a complete stop.
- If the tiller + cultivator should start to vibrate abnormally, stop the machine and inspect thoroughly for damage.
- Turn the machine OFF and disconnect the electrical power when moving to a new work area. Allow the blades to completely stop rotating before transporting the unit.
- Always use proper care and good judgment when you are confronted with a situation that is not covered in this manual. If you are unsure of what to do, contact your authorized Snow Joe® + Sun Joe® dealer or call the Snow Joe® + Sun Joe® customer service center at 1-866-SNOWJOE (1-866-766-9563).
- Do not use in rain or wet conditions.
- Do not grasp the exposed cutting blades or cutting edges when picking up or holding the appliance.


Stopping Work

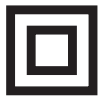
- Always turn the tiller + cultivator OFF and disconnect the electrical power when stopping work or when changing work areas. Never leave the machine running when unattended.
- The blades will continue to rotate for a short period after turning OFF the tiller + cultivator. Wait until the blades have completely stopped before lifting the machine or conducting inspection and maintenance.
- The motor housing remains hot for a short period after the machine is turned OFF. Allow the motor housing to cool completely before touching or storing near combustible material.

Maintenance + Storage

- Maintain or replace safety and instruction labels.
- Disengage all controls, stop the engine, and wait until the blades come to a complete stop before cleaning, repairing, or inspecting the tiller + cultivator.
- Regularly check the following:
 - i) Blades are clear and can rotate freely** – Accumulation of debris around the blades could impair performance or damage the motor. Inspect and clean the area around the blades before every use.
 - ii) Safety devices are operating properly** – Do not tamper with or adjust safety devices.
 - iii) Bolts and screws are properly tightened** – Visually inspect the machine for any damage and ensure that the tiller + cultivator is in safe working condition.
 - iv) Use only identical replacement parts** – Always replace damaged parts with original equipment manufacturer's (OEM) parts only. Replacement parts that do not meet the original equipment specifications may lead to improper performance and compromise safety.

Double-Insulated Appliances

In a double-insulated appliance, two systems of insulation are provided instead of grounding. No grounding means is provided on a double-insulated appliance, nor should a means for grounding be added to the appliance. Servicing a double-insulated appliance requires extreme care and knowledge of the system, and should be performed only by qualified service personnel at an authorized Snow Joe® + Sun Joe® dealer. Replacement parts for a double-insulated appliance must be identical to the parts they replace. A double-insulated appliance is marked with the words “Double Insulation” or “Double Insulated.” The symbol  (square within a square) may also be marked on the appliance.



DOUBLE-INSULATED: GROUNDING NOT REQUIRED. WHEN SERVICING, USE ONLY IDENTICAL REPLACEMENT PARTS.

This electric tiller + cultivator is double-insulated, eliminating the need for a separate grounding system. Use only identical replacement parts. Read the instructions before servicing double-insulated appliances. Use this electric tiller + cultivator only as described in this manual.

Electrical Safety

1. Ground fault circuit interrupter (GFCI) protection should be provided on the circuit(s) or outlet(s) to be used for this electric tiller + cultivator. Receptacles are available having built-in GFCI protection and may be used for this measure of safety.
2. To reduce the risk of electric shock, this appliance has a polarized plug (i.e. one blade is wider than the other). Use this appliance only with a polarized UL-, CSA-, or ETL-listed extension cord recommended for outdoor, all-weather use, such as the Snow Joe® + Sun Joe® SJTW-A 14-gauge 50-foot extension cord with lighted end (Model PJEXT50-B). Visit sunjoe.com to purchase this extension cord online or, to order by phone, call 1-866-SNOWJOE (1-866-766-9563).

The appliance plug will fit into a polarized extension cord only one way. If the appliance plug does not fit fully into the extension cord, reverse the plug. If the plug still does not fit, obtain a correct polarized extension cord. A polarized extension cord will require the use of a polarized wall outlet. The extension cord plug will fit into the polarized wall outlet only one way. If the plug does not fit fully into the wall outlet, reverse the plug. If the plug still does not fit, contact a qualified electrician to install the proper wall outlet. Do not modify the appliance plug, extension cord receptacle, or extension cord plug in any way.

3. To prevent electric shock, use only with an extension cord suitable for outdoor use, such as SW-A, SOW-A, STW-A, STOW-A, SJW-A, SJOW-A, SJTW-A, or SJTOW-A.

Before use, check that the extension cord is in good condition. When using an extension cord, make sure to use one heavy enough to carry the current your product will draw. An undersized cord will cause a drop in line voltage resulting in loss of power and overheating.



WARNING



Electric shock may cause SEVERE INJURY or DEATH. Heed these warnings:

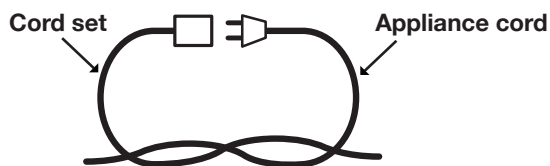
- Do not allow any part of the electric tiller + cultivator to make contact with water while it is in operation. If the appliance becomes wet while turned off, wipe dry before starting.
- Use only a UL-, CSA-, or ETL-rated extension cord for outdoor, all-weather use, such as the Snow Joe®+ Sun Joe® SJTW-A 14-gauge 50-foot extension cord with lighted end (Model PJEXT50-B). Visit sunjoe.com to purchase this extension cord online or, to order by phone, call 1-866-SNOWJOE (1-866-766-9563).
- Do not use an extension cord over 100 ft (30 m).
- Do not touch the appliance or its plug with wet hands or while standing in water. Wearing rubber boots offers some protection.

EXTENSION CORD CHART

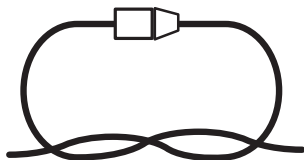
| Extension Cord Length | Up to 50 ft (15 m) | +50 ft - 100 ft (+15 m - 30 m) |
|-----------------------|--------------------|--------------------------------|
| Wire Gauge (A.W.G.): | 14 | 12 |

4. To prevent the appliance cord from disconnecting from the extension cord during operation, use the onboard extension cord restraint hook and/or make a knot with the two cords as shown in Table 1.

Table 1. Method of Securing Extension Cord



(A) Tie cord as shown

















(B) Connect plug and receptacle

5. Do not abuse the cord. Never pull the tiller + cultivator by the cord or yank the cord to disconnect it from the receptacle. Keep the cord away from heat, oil, and sharp edges.

Safety Symbols

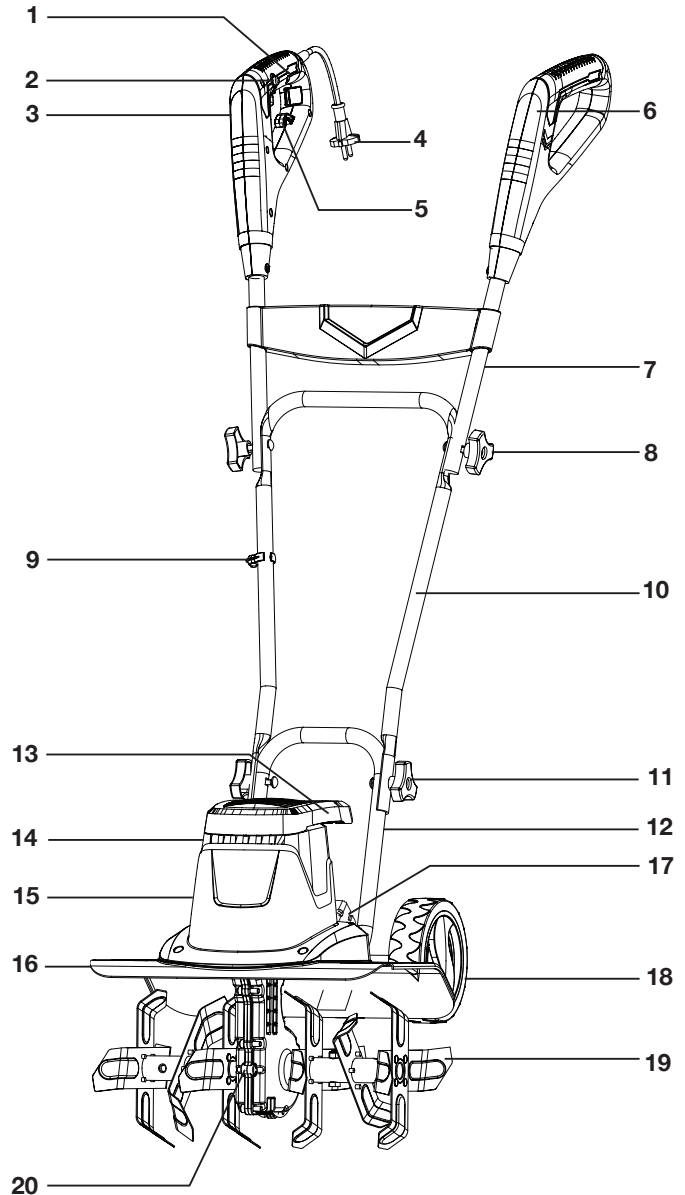
The following table depicts and describes safety symbols that may appear on this product. Read, understand, and follow all instructions on the machine before attempting to assemble and operate.

| Symbols | Descriptions | Symbols | Descriptions |
|---|---|--|--|
|  | READ THE OPERATOR'S MANUAL(S) – Read, understand, and follow all instructions in the user manual(s) before attempting to assemble and operate. |  | Wear eye protection, breathing protection, and ear protection (i.e. safety goggles, dust masks, and ear defenders). |
|  | SAFETY ALERT – Indicates a precaution, a warning, or a danger. |  | WARNING! Do not expose the unit to rain or wet conditions. |
|  | WARNING! Keep electrical extension cord away from blades. |  | WARNING! Rotating parts may cause serious injury. Make sure the blades come to a complete stop before transporting the machine or before inspecting, cleaning, or conducting any other maintenance. |
|  | SWITCH OFF! Remove plug from the outlet before cleaning or conducting maintenance checks. |  | SWITCH OFF! Remove plug from the outlet immediately if the cord is damaged or cut. |
|  | Beware of foreign objects that could be thrown from the appliance. Keep bystanders a safe distance away from the work area. |  | Inspect the work area prior to use and remove all objects that could be thrown by the appliance. If a hidden object is discovered while working, stop the engine and remove the object. |
|  | Wear protective gloves and non-slip footwear when using the machine and handling debris. |  | Work across slopes; never work up and down such surfaces. |
|  | The rotating part will continuously run for several seconds after you turn off the machine. |  | DOUBLE INSULATION – When servicing, use only identical replacement parts. |

Know Your Electric Tiller + Cultivator

Read the owner's manual and safety instructions carefully before operating the electric tiller + cultivator. Compare the illustration below to the electric tiller + cultivator in order to familiarize yourself with the location of the various controls and adjustments. Save this manual for future reference.

1. Trigger switch
2. Safety lock button
3. Right handle grip
4. Appliance cord
5. Extension cord restraint hook
6. Left handle grip
7. Upper handle
8. Upper handle knob and bolt (2)
9. Cable clip
10. Middle handle
11. Middle handle knob and bolt (2)
12. Lower handle
13. Transport handle
14. Air vents
15. Motor housing
16. Guard
17. Wheel adjustment
18. Wheels
19. Steel blades
20. Gear box



Technical Data

| | | | |
|---------------------|-----------------------|-----------------------------|------------------------|
| Motor | 12-amp | Rotor..... | 6 steel tilling blades |
| Rated Voltage | 120V ~ 60 Hz | Cultivating Width Max | 16 in. (40.6 cm) |
| No Load Speed | 370 ± 10% rpm | Cultivating Depth Max | 8 in. (20.3 cm) |
| Handle | Foldable (3 sections) | Net Weight..... | 26.5 lbs (12 kg) |

Unpacking

Carton Contents

- Electric tiller + cultivator housing
- Upper handle
- Middle handle
- Handle knob and bolt (4)
- Manual with registration card

1. Carefully remove the electric tiller + cultivator and check to see that all of the above items are supplied.
2. Inspect the product carefully to make sure no breakage or damage occurred during shipping. If you find damaged or missing parts, DO NOT return the unit to the store. Please call the Snow Joe® + Sun Joe® customer service center at 1-866-SNOWJOE (1-866-766-9563).

NOTE: Do not discard the shipping carton and packaging material until you are ready to use the electric tiller + cultivator. The packaging is made of recyclable materials. Properly dispose of these materials in accordance with local regulations or save the packaging for long-term product storage.

IMPORTANT! The equipment and packaging material are not toys. Do not let children play with plastic bags, foils, or small parts. These items can be swallowed and pose a suffocation risk!

Assembly

⚠ WARNING! Do not connect to the power supply until assembly is complete. Failure to comply could result in accidental starting and serious personal injury.

⚠ WARNING! Before performing any maintenance, make sure the tool is unplugged from the power supply. Failure to heed this warning could result in serious personal injury.

⚠ WARNING! To prevent serious personal injury, make sure the switch is in the OFF (O) position, the unit is unplugged, and the blades have come to a complete stop before inspecting, cleaning, or servicing the unit.

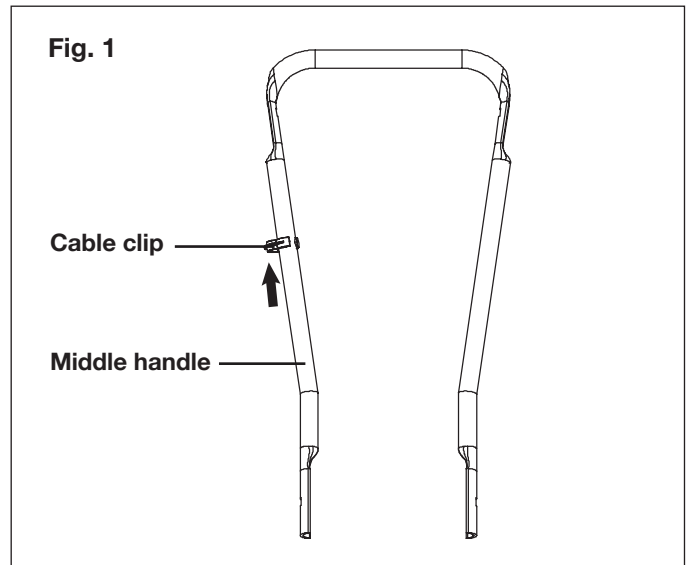
⚠ WARNING! The product must be fully assembled before operation. Do not use a product that is only partially assembled or assembled with damaged parts.

Follow the assembly instructions step-by-step and use the pictures provided as a visual guide to easily assemble the product.

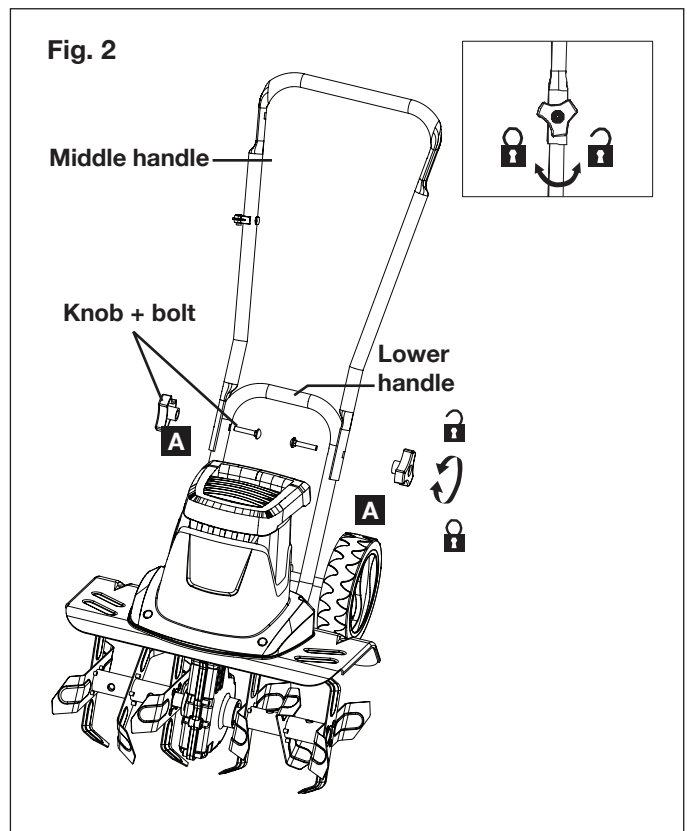
Connecting the Handles

NOTE: Small parts can easily get lost during assembly or when making adjustments to the machine. To avoid this, secure all small parts that are removed from the machine and keep them accessible.

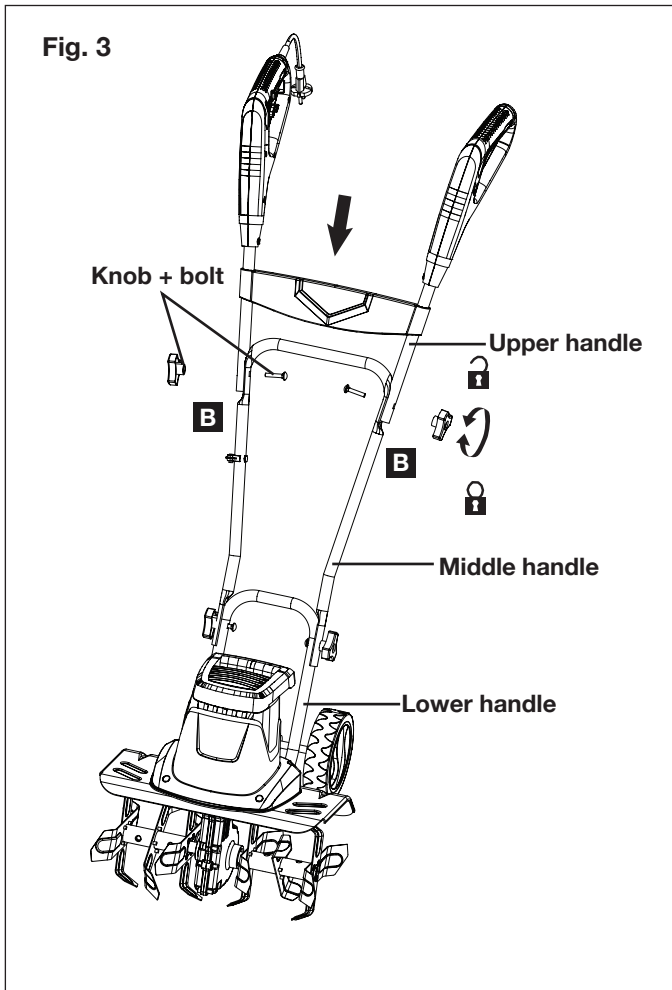
1. Attach the cable clip on the middle handle bar (Fig. 1).



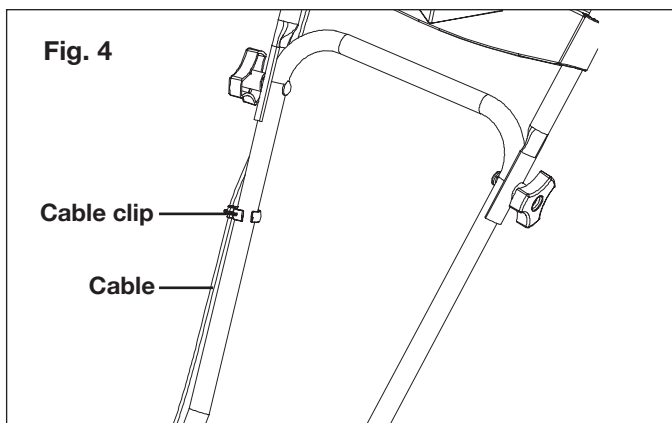
2. Remove the bolts from the knobs and keep them handy.
3. Secure the middle handle to the lower handle using the first set of knobs and bolts (A). Tighten the knobs on each side to ensure a secure fit (Fig. 2).



4. Connect the upper handle to the middle handle using the second set of knobs and bolts (B). Tighten the knobs on each side to ensure a secure fit (Fig. 3).



5. Secure the cable inside the cable clip (Fig. 4).



! WARNING! Make sure all handle knobs are properly tightened before using the electric tiller + cultivator.

Operation

Intended Use

The TJ603E electric tiller + cultivator is designated with a rated input power consumption of 1440 Watts.

Designed for small gardens and flower beds, this electric tiller + cultivator effectively loosens and turns over new soil. It may also be used to mix coarse soil with fertilizer, peat, and compost. This product may not be used to till extremely dry or wet soil.

The use of this product in rain or wet conditions is prohibited.

For safety reasons, it is essential to read the entire instruction manual before first use and to observe all the instructions contained within this manual.

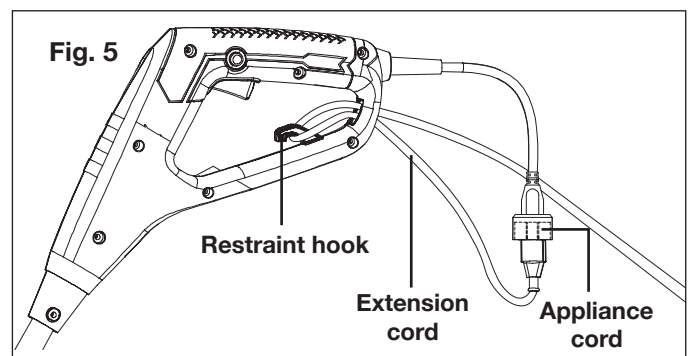
This product is intended for private domestic use only. It is not intended for any commercial trade use. It must not be used for any purposes other than those described.

Connecting to Power Supply

NOTE: For safety reasons, this product is equipped with a short power cord. Do not connect the electric tiller + cultivator directly to the power supply using this power cord. A proper extension cord is required for operation. Observe the technical requirements for this product when purchasing an extension cord.

! WARNING! For your safety, it is required that the plug attached to this electric tiller + cultivator be connected to an approved extension cord. The extension cord must be suitable for outdoor use, with all sockets protected against water splashing. Ensure the extension cord is of the proper size and type for your product ($\geq 1.5 \text{ mm}^2$). Always use a residual-current device (RCD), or residual-current circuit breaker (RCCB) protected power supply.

1. Connect the electric tiller + cultivator to a working 120V outlet using a heavy-duty outdoor extension power cord, such as the Snow Joe® + Sun Joe® SJTW-A 14-gauge 50-foot extension cord with lighted end (Model PJEXT50-B). Visit sunjoe.com to order online or call 1-866-SNOWJOE (1-866-766-9563) to order by phone.
2. Make a loop in the extension cord and push it up through the hole in the handle and around the cord restraint hook (Fig. 5), then connect the extension cord to the appliance cord.



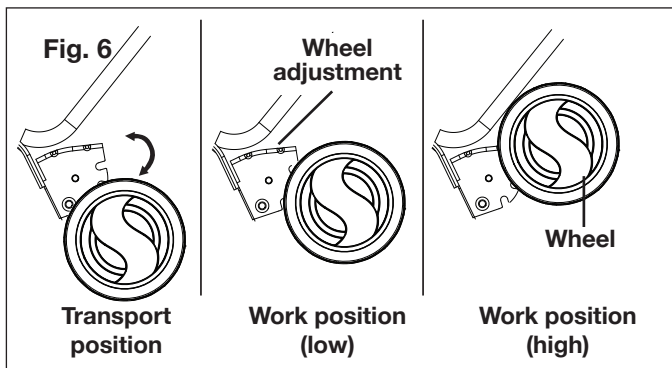
⚠️ WARNING! Check the voltage to ensure it complies with the information on the rating label.

Wheel Adjustment

⚠️ WARNING! Always switch the product off and disconnect it from the power supply before making any adjustments.

The wheels can be adjusted to 3 different positions to control the cultivating depth.

1. Pull the wheel and move it to the desired position; let go of the wheel and make sure it locks into position (Fig. 6). Be sure to set both wheels to the same height.

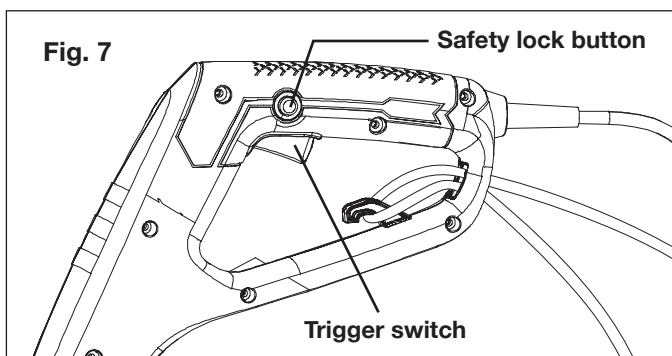


⚠️ WARNING! Always ensure the wheels are securely locked. Do not attempt to use the product with the wheels in unlocked positions.

Powering ON + OFF

⚠️ WARNING! Rotating blades may cause serious injury. The blades will continue to turn for a few seconds after the tool has been switched OFF. Do not touch the rotating blades. Contact with hot components (i.e. motor housing, gear box, etc.) on the machine may cause burns. Allow the machine to cool before handling.

1. To turn the tool ON, push and hold the safety lock button with your thumb and then squeeze the trigger switch with your fingers. Once the tool is running, release the safety lock button (Fig. 7).



2. To switch OFF, release the trigger switch (Fig. 7).

Operating Tips

- Before each use, check the product, its power cord and plug, and any other accessories for damage. Do not use the product if it is damaged or shows wear.
- Double check that the accessories and attachments are properly fitted.
- Always hold the product by its handles. Keep the handles dry to ensure a secure grip.
- Ensure that the air vents are always unobstructed and clear. Clean them if necessary with a soft brush. Blocked air vents may lead to overheating and damage the product.
- Switch the product off immediately if you are disturbed while working by other people entering the working area. Always let the product come to a complete stop before averting your attention.
- Do not overwork yourself. Take regular breaks to ensure you can concentrate on the task at hand and have full control over the product.

⚠️ WARNING! In some countries, regulations define restrictions for use of such products, including the times and days when operation is permissible. Ask your community for detailed information and observe these regulations in order to preserve a peaceful neighborhood and avoid committing administrative offences.

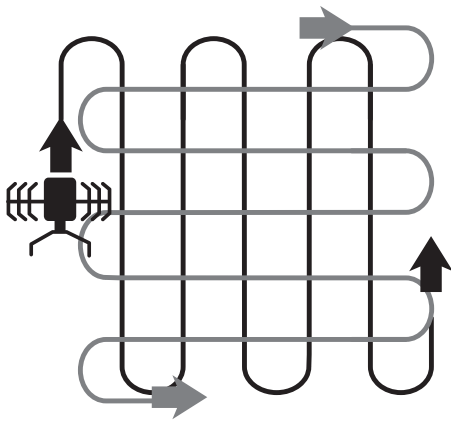
Tilling

- Make sure that the work area is clear of stones, sticks, wire, or other objects that could damage the product or its engine.
- Do not till very wet soil because wet soil tends to stick to the working tool, preventing proper blade rotation; it could also cause you to slip and fall.
- Always maintain a firm grip on the product. For better guidance, apply light pressure to the handles.

⚠️ WARNING! Do not place hands, feet, or any other part of the body or clothing near the rotating blades or any other moving part. The blades begin to rotate forward once the trigger switch is depressed. The blades continue to rotate until the trigger switch is released. Failure to avoid contact with the rotating blades could cause serious personal injury.

- Do not try to till too deeply or force the product into soil that is extremely hard or resistant.
- Walk the product through the soil at a normal pace and in as straight a line as possible.
- Till in slightly overlapping rows. To till most effectively, follow the pattern indicated in Fig. 8. Start by moving the tiller + cultivator up and down in vertical lines, then work horizontally from left to right. This will keep the rows even and ensure that all the ground is tilled without missing any spots.

Fig. 8



- Pay special attention when changing direction. Apply light pressure to the handle in order to lift the blades and facilitate the turn. Turn the product around using the wheels as a guide. Gradually release pressure on the handle and move the blades back to the ground.

⚠️ WARNING! Stop the motor if the product strikes a foreign object. Switch the product off, disconnect it from the power supply, and let it cool completely. Inspect the product thoroughly for damage and have any damage repaired before restarting.

Extensive vibration of the product during operation is an indication of damage. Immediately stop the motor and promptly inspect and repair the tool.

After Use

- Switch the product off, disconnect it from the power supply, and let it cool completely.
- Check, clean, and store the product as described below.

Care + Maintenance

The Golden Rules for Care

⚠️ WARNING! Always switch the product off, disconnect the product from the power supply, and let the product cool completely before inspecting, cleaning, or performing any other maintenance task.

- Keep the product clean. Remove any debris after each use and before storage.
- Regular and proper cleaning will help ensure safe use and prolong the life of the product.
- Inspect the product before each use for worn and damaged parts. If you find broken and/or worn parts, do not use the tool.

⚠️ WARNING! Only perform the repairs and maintenance work described in this manual. Any other work must be performed by a qualified technician.

General Cleaning

- Clean the product with a dry cloth. Use a brush for areas that are hard to reach.
- Be sure to clean the air vents after every use with a cloth and brush.
- Remove stubborn dirt with high pressure air (max. 3 bar).

NOTE: Do not use chemical, alkaline, abrasive, or other aggressive detergents or disinfectants to clean this product as such substances might damage the tool's surfaces.

- Check for worn or damaged parts. Replace worn parts as necessary or contact the Snow Joe® + Sun Joe® customer service center at 1-866-SNOWJOE (1-866-766-9563) for repair before using the product again.

Cleaning the Underbody + Working Tool

⚠️ WARNING! Wear safety gloves when working on or near the working tool. Use appropriate tools (e.g a wooden stick) when necessary; never use your bare hands!

- Keep the underbody and blades clean and free of debris. Use a brush or another implement to remove soil from the working tool.
- All nuts and bolts must be checked periodically for tightness before operation. After prolonged use, especially in sandy soil conditions, the working tool will become worn and lose some of its original shape. Tilling efficiency will be reduced and the working tool should be replaced.
- Have worn or damaged working parts replaced with new ones of the same type by a qualified technician.
- To prolong the life span of the working tool and the product, lubricate the blades after each use.

Maintenance

⚠️ WARNING! Unexpected blade movement may cause personal injury. Before servicing, repairing, or inspecting the unit, turn the motor OFF and disconnect the extension cord. Wait for the blades to completely stop rotating before conducting inspection, cleaning, or maintenance.

Before and after each use, check the product and accessories (or attachments) for wear and damage. When necessary, only use identical replacement parts that are approved by the manufacturer.

⚠️ WARNING! Contact with hot components (e.g. motor housing, gear box, etc.) on the machine may cause burns. Allow the machine to cool off before handling.

IMPORTANT!

- Wear protective gloves when cleaning or maintaining the machine.
- Do not use cleaning fluids or solvents or spray the machine down with water (especially water under pressure) when cleaning the machine.

NOTE: After each use, follow these steps to properly clean the unit:

1. Remove soil, dirt, and foliage stuck in the blades, drive shaft, tool surface, and vents with a brush or dry cloth.
2. Spray or rub biodegradable oil onto the blades.
3. Clean soiled grips with a damp cloth.

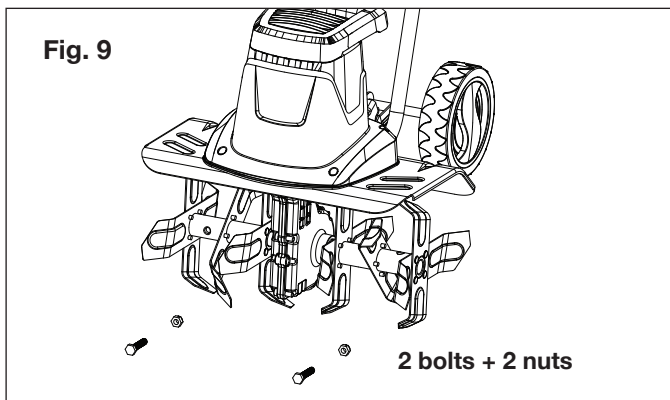
Always inspect the machine for damaged and worn parts after each use. Check that safety features (i.e. labels, guards, etc.) are in place. Check that nuts, bolts, and screws are tight.

Changing the Blades

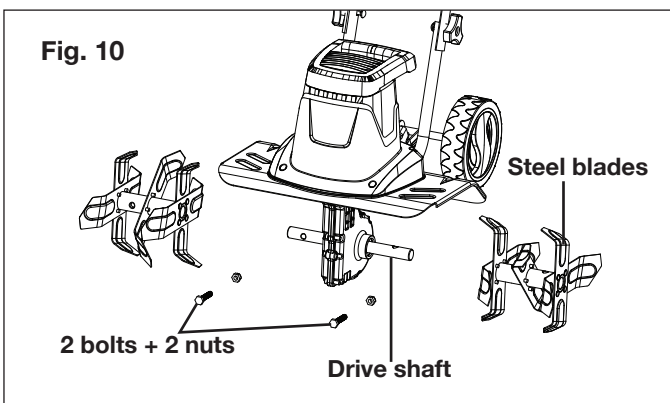
NOTE: The machine is fitted with six tilling blades that can easily be changed in pairs. Both of the steel blade pairs can be fitted on the left or right, as required. Always change both blade pairs at the same time to avoid imbalance and damage to the machine.

To replace the blades, follow the steps below:

1. While standing on a flat and stable surface, switch off the unit and remove the plug from the extension cord.
2. Remove the 2 bolts and 2 nuts, then remove the steel blade blades (Fig. 9).



3. Clean the drive shaft with biodegradable oil (Fig. 10).
4. Place the new blades onto the drive shaft so that the holes on the axles line up with the holes on the drive shaft (Fig. 10).
5. Insert the 2 bolts through the holes and secure them with the 2 nuts (Fig. 10).



IMPORTANT: The blades must be set in the correct turning direction. Note the way the old blades came off and replace the new ones exactly the same way.

Power Cord

If the power cord is damaged, it must be replaced in order to avoid a safety hazard. Contact your authorized Snow Joe® + Sun Joe® dealer or call the Snow Joe® + Sun Joe® customer service center at 1-866- SNOWJOE (1-866-766-9563).

Repair

This product does not contain any parts that can be repaired by the consumer. Contact an authorized Snow Joe® + Sun Joe® dealer or call the Snow Joe® + Sun Joe® customer service center at 1-866-SNOWJOE (1-866-766-9563) for assistance.

Storage

- Examine the electric tiller + cultivator thoroughly for worn, loose, or damaged parts. Should you need to repair or replace a part, contact an authorized Snow Joe® + Sun Joe® dealer or call the Snow Joe® + Sun Joe® customer service center at 1-866-SNOWJOE (1-866-766-9563) for assistance.
- Examine the extension cord thoroughly for signs of excess wear or damage. If it is worn or damaged, replace it immediately.
- Disconnect the extension cord from the electric tiller + cultivator before storing.
- Clean the product as described above.
- Store the product and its accessories in a dark, dry, frost-free, and well-ventilated place.
- Always store the product in a place that is inaccessible to children.
- The ideal storage temperature is between 50°F (10°C) and 86°F (30°C).
- We recommend using the original package for storage or covering the product with a suitable cloth or enclosure to protect it against dust.

Transportation

- Switch the product off and disconnect it from the power supply. Ensure that the wheels are set to the transport position (see Fig. 6, pg. 9).
- Always carry the product by its transport handle.
- If you are transporting the tiller + cultivator in a vehicle, brace it properly to protect it from heavy impact or strong vibrations.
- Secure the product to prevent it from falling over or slipping.

Recycling + Disposal

The product comes in a package that protects it against damage during shipping. Keep the package until you are sure that all parts have been delivered and the product is functioning properly. Recycle the package afterwards or keep it for long-term storage.



WEEE symbol. Waste electrical products should not be disposed of with household waste. Please recycle where facilities exist. Check with your local authority or local store for recycling regulations.

Service + Support

If your Sun Joe® TJ603E electric tiller + cultivator requires service or maintenance, please call the Snow Joe® + Sun Joe® customer service center at 1-866-SNOWJOE (1-866-766-9563).

Accessories

⚠️ WARNING! ALWAYS use only authorized Snow Joe® + Sun Joe® replacement parts and accessories. NEVER use replacement parts or accessories that are not intended for use with this electric tiller + cultivator. Contact Snow Joe® + Sun Joe® if you are unsure whether it is safe to use a particular replacement part or accessory with your electric tiller + cultivator. The use of any other attachment or accessory can be dangerous and could cause injury or mechanical damage.

Model + Serial Numbers

When contacting the company, reordering parts, or arranging service from an authorized dealer, you will need to provide the model and serial numbers, which can be found on the decal located on the housing of the unit. Copy these numbers into the space provided below.

| | |
|--|--|
| Record the following numbers from the housing or handle of your new product: | |
| Model #: | |
| T J 6 0 3 E | |
| Serial #: | |
| | |

| Accessories | Item | Model |
|-------------|--|-----------|
| <p>1</p> | Replacement Blades | TJ603E-2 |
| <p>2</p> | Snow Joe® + Sun Joe® SJTW-A 14-gauge 50-foot extension cord with lighted end | PJEXT50-B |

NOTE: Accessories are subject to change without any obligation on the part of Snow Joe® + Sun Joe® to provide notice of such changes. Accessories can be ordered online at sunjoe.com or via phone by contacting the Snow Joe® + Sun Joe® customer service center at 1-866-SNOWJOE (1-866-766-9563).



SNOW JOE® + SUN JOE® CUSTOMER PROMISE

ABOVE ALL ELSE, Snow Joe, LLC (“Snow Joe”) is dedicated to you, our customer. We strive to make your experience as pleasant as possible. Unfortunately, there are times when a Snow Joe®, Sun Joe®, or Aqua Joe® product (“Product”) does not work or breaks under normal operating conditions. We think it’s important that you know what you can expect from us. That’s why we have a Limited Warranty (“Warranty”) for our Products.

OUR WARRANTY:

Snow Joe warrants new, genuine, powered and non-powered Products to be free from defects in material or workmanship when used for ordinary household use for a period of two years from the date of purchase by the original, end-user purchaser when purchased from Snow Joe or from one of Snow Joe’s authorized sellers with proof of purchase. Because Snow Joe is unable to control the quality of its Products sold by unauthorized sellers, unless otherwise prohibited by law, this Warranty does not cover Products purchased from unauthorized sellers. If your Product does not work or there’s an issue with a specific part that is covered by the terms of this Warranty, Snow Joe will elect to either (1) send you a free replacement part, (2) replace the Product with a new or comparable product at no charge, or (3) repair the Product. How cool is that!

This Warranty gives you specific legal rights, and you may also have other rights which vary from State to State.

PRODUCT REGISTRATION:

Snow Joe strongly encourages you to register your Product. You can register online at snowjoe.com/register, or by printing and mailing in a registration card available online from our website, or calling our Customer Service Department at **1-866-SNOWJOE (1-866-766-9563)**, or by e-mailing us at help@snowjoe.com. Failure to register your Product will not diminish your warranty rights. However, registering your Product will allow Snow Joe to better serve you with any of your customer service needs.

WHO CAN SEEK LIMITED WARRANTY COVERAGE:

This Warranty is extended by Snow Joe to the original purchaser and original owner of the Product.

WHAT IS NOT COVERED?

This Warranty does not apply if the Product has been used commercially or for non-household or rental applications. This Warranty also does not apply if the Product was purchased from an unauthorized seller. This Warranty also does not cover cosmetic changes that do not affect performance. Wearing parts like belts, augers, chains and tines are not covered under this Warranty, and can be purchased at snowjoe.com or by calling **1-866-SNOWJOE (1-866-766-9563)**.

¡IMPORTANTE!

Instrucciones de seguridad


Todos los operadores deben leer estas instrucciones antes del uso

Siga siempre estas normas de seguridad. El no hacerlo podría resultar en lesiones corporales severas o incluso la muerte.

¡ADVERTENCIAS generales de seguridad!


Usted y cualquier otro operador de esta cultivadora/labradora de jardín deben leer, entender y obedecer en su totalidad estas instrucciones. No obedecer todas las instrucciones puede causar un CHOQUE ELÉCTRICO, INCENDIO y/o LESIONES PERSONALES severas.

Preste atención al símbolo de alerta de seguridad personal

 usado en este manual para enfocar su atención a una ADVERTENCIA dada junto a una instrucción de operación particular. Esto significa que la operación requiere ATENCIÓN, PRECAUCIÓN Y CAUTELA especiales.

- 1. Mantenga el área de trabajo limpia y bien iluminada:** las áreas abarrotadas y oscuras tienden a provocar accidentes.
- 2. Piezas de repuesto:** al reparar esta unidad, use solo piezas de repuesto idénticas. Reemplace o repare los cables dañados inmediatamente.
- 3. Mantenga alejados a los transeúntes, niños y mascotas:** todos los espectadores, incluidas las mascotas, deberán estar a una distancia segura del área de trabajo.
- 4. Conozca su producto:** sepa cómo encender y apagar la máquina. Familiarícese a fondo con los controles.
- 5. Use la herramienta adecuada:** no utilice esta máquina para ningún otro trabajo excepto para el cual ha sido diseñada.
- 6. Vístase adecuadamente:** no use vestimenta suelta o joyería, ya que dichos objetos pueden engancharse en las piezas móviles. Utilice una cubierta protectora para contener cabellos largos. Se recomienda usar guantes de hule y calzado antideslizante protector al trabajar en exteriores.
- 7. Cable de extensión:** para prevenir choques eléctricos, use este artefacto únicamente con un cable de extensión adecuado para uso en exteriores.

- 8. Evite encendidos accidentales:** no transporte la cultivadora/labradora con su dedo sobre el interruptor. Asegúrese de que el interruptor esté apagado antes de enchufar o desenchufar la unidad.

 **¡PRECAUCIÓN!** Las piezas móviles continuarán girando por varios segundos luego de haber apagado la máquina.

- 9. No abuse del cable:** nunca jale la cultivadora/labradora por el cable ni tire bruscamente de ésta para desenchufar la cultivadora/labradora del tomacorriente. Mantenga el cable alejado del calor, aceite y bordes filosos.
- 10. Partes móviles:** mantenga alejados pies y manos de las partes móviles. Mantenga los protectores en su lugar y funcionando apropiadamente.
- 11. No fuerce la herramienta:** tendrá un mejor funcionamiento con menos probabilidades de lesiones personales o fallas mecánicas si es usada a la velocidad para la cual fue diseñada.
- 12. No se sobreextienda:** mantenga con sus pies balance y posición adecuados durante todo el tiempo.
Si la cultivadora/labradora eléctrica golpea un objeto extraño, siga los siguientes pasos:
 - **Detenga la cultivadora/labradora eléctrica.**
 - **Inspecciónela para ver si existen daños.**
 - **Repáre cualquier daño antes de volver a encender y operar la herramienta.**
- 13. Use gafas protectoras:** use además calzado protector, ropa que se ajuste a su cuerpo, guantes protectores y protección auditiva y para la cabeza.
- 14. Desconecte la herramienta:** desconecte la cultivadora/labradora de la fuente de alimentación cuando no esté siendo usada, antes de repararla, al cambiar accesorios y al realizar cualquier otra tarea de mantenimiento.
- 15. Guarde la herramienta inactiva en interiores:** cuando no esté en uso, la cultivadora/labradora debe estar almacenada bajo techo, en un lugar seco, alto o bajo llave, lejos del alcance de los niños.
- 16. Cuide la cultivadora/labradora:** manténgala limpia para un óptimo rendimiento y para reducir el riesgo de lesiones. Inspeccione periódicamente el cable de extensión y reemplácelo inmediatamente si está dañado. Mantenga los mangos secos, limpios y sin aceite o grasa. Siga las recomendaciones adicionales descritas en la sección de mantenimiento de este manual.

- 17. Evite entornos peligrosos:** no use la cultivadora/labradora bajo la lluvia o en lugares húmedos o mojados. No opere la cultivadora/labradora en atmósferas gaseosas o explosivas, ni la use cerca a líquidos inflamables o combustibles. Los motores en estas herramientas normalmente echan chispas, y las chispas pueden encender los gases.
- 18. Manténgase alerta:** vea lo que está haciendo. Utilice su sentido común. No opere la cultivadora/labradora si está cansado o bajo la influencia de las drogas, alcohol o medicamentos.
- 19. Verifique si hay piezas dañadas:** antes de seguir utilizando el artefacto, cualquier protector u otra pieza que esté dañada debe ser examinada cuidadosamente para determinar si funcionará correctamente o no. Verifique el alineamiento y juntas de las piezas móviles y compruebe que no estén rotas, inspeccione las monturas, y busque cualquier otra condición que pueda afectar su funcionamiento. Una guarda o cualquier otra parte dañada debe ser correctamente reparada o reemplazada. Comuníquese con el centro de servicio al cliente Snow Joe® + Sun Joe® llamando al 1-866-SNOWJOE (1-866-766-9563) para obtener asistencia.

Capacitación

- Lea, entienda y siga todas las instrucciones en la cultivadora/labradora y en el manual antes de empezar a operar esta unidad. Familiarícese a fondo con los controles y el uso correcto del equipo. Sepa cómo detener la unidad y desactivar los controles rápidamente.
- Los niños nunca deben tener acceso a la unidad. Los adultos nunca deben operar la unidad sin leer y entender cuidadosamente estas instrucciones.
- Mantenga el área de operación libre de personas, particularmente niños pequeños y mascotas.
- Tenga cuidado y evite resbalar o caer.
- Planee siempre su ruta de cultivo de manera que se evite el lanzamiento de residuos hacia personas, animales o propiedades (por ejemplo ventanas, autos, etc.). Los objetos lanzados pueden causar lesiones personales severas y daños a la propiedad. No permita que nadie esté en frente de una máquina en funcionamiento.
- Mantenga a las personas, mascotas y propiedad al menos a 25 pies (7.6 m) de la cultivadora/labradora mientras se encuentre funcionando. Detenga la cultivadora/labradora si personas o mascotas entran al área de descarga.
- Verifique en todo momento las condiciones de la superficie con el fin de evitar resbalones, caídas u objetos inesperados.

Preparación

- Inspeccione siempre el área donde la cultivadora/labradora será utilizada. Retire todos los objetos (p. ej., piedras, palos, alambres y demás objetos extraños) que puedan ser arrojados por las cuchillas o que hagan tropezar al operador).

- Los objetos lanzados pueden causar serias lesiones a los ojos y al cuerpo expuesto. Use siempre gafas de seguridad o protección ocular durante la operación y mientras realice cualquier ajuste o reparación.
- Opere la cultivadora/labradora empleando ropa adecuada en todo momento. No use joyas o ropa suelta u holgada que pueda enredarse en las piezas móviles de la cultivadora. Use calzado antideslizante para garantizar un balance y posición adecuados.
- Obedezca todas las leyes o reglamentos de prevención de ruido.
- Inspeccione la cultivadora/labradora para comprobar que no haya partes y etiquetas de seguridad gastadas, dañadas o faltantes. Consulte la sección de mantenimiento para instrucciones detalladas.

Operación

- No opere el artefacto bajo la influencia de alcohol o drogas.
- Mantenga los dispositivos de seguridad en su lugar y funcionando apropiadamente. No opere con componentes dañados o faltantes.
- Asegúrese que los controles de inicio y parada (“Start/ Stop”) funcionen correctamente antes del cultivo.
- Sujete la cultivadora/labradora con ambas manos durante la operación. Asegúrese de que las asas estén secas.
- El contacto con las partes giratorias puede amputar manos y pies. Mantenga las manos y pies alejados de todas las piezas giratorias.
- Opere la cultivadora/labradora únicamente cuando haya buena visibilidad o bastante luz, además de condiciones secas. En todo momento esté atento a dónde usted esté pisando y mantenga las asas firmemente sujetadas con las dos manos. ¡Camine, no corra!
- No opere la cultivadora/labradora en superficies resbaladizas. Durante el uso, esté atento a dónde esté pisando.
- Tenga cuidado al cambiar de dirección y operar la herramienta en pendientes. Mantenga los pies y piernas a una distancia segura lejos del artefacto. Localice y evite obstáculos o peligros ocultos.
- No sobrecargue la capacidad del artefacto al intentar cultivar profundamente. Causará una resistencia excesiva.
- Detenga la cultivadora/labradora y desconecte el cable eléctrico antes de retirarse de la posición de operador (detrás de las asas) para ajustar o inspeccionar la unidad. Espere hasta que las cuchillas se hayan detenido por completo.
- Si la cultivadora/labradora empieza a vibrar de manera anormal, detenga la máquina e inspecciónela detenidamente en busca de daños.
- APAGUE la máquina y desenchufe el cable de alimentación al trasladarse a una nueva área de trabajo. Permita que las cuchillas dejen de girar por completo antes de transportar la unidad.
- Tenga siempre cuidado y use el buen juicio cuando suceda una situación que no esté cubierta en este

manual. Si no está seguro de qué hacer, contacte a un concesionario autorizado Snow Joe® + Sun Joe® o llame a la central de servicio al cliente Snow Joe® + Sun Joe® al 1-866-SNOWJOE (1-866-766-9563).

- No use esta máquina bajo la lluvia o en condiciones húmedas.
- No agarre la cultivadora/labradora por las cuchillas de corte o bordes afilados al levantarla o sostenerla.

Al dejar de trabajar


- Siempre apague la cultivadora/labradora y desenchufe el cable de alimentación al dejar de trabajar o cambiar áreas de labrado. Nunca deje una máquina encendida sin atenderla.
- Las cuchillas continuarán girando por un corto periodo luego de haber apagado la cultivadora/labradora. Espere a que las cuchillas se hayan detenido completamente antes de levantar el artefacto o realizar cualquier inspección o mantenimiento.
- La carcasa del motor se mantiene caliente por un corto periodo luego de que la máquina haya sido apagada. Permita que la carcasa del motor se enfríe antes de tocar la unidad o guardarla cerca de materiales combustibles.

Mantenimiento y almacenamiento

- Mantenga o reemplace las etiquetas de seguridad y de instrucción.
- Suelte todos los controles, detenga el motor, y espere a que las cuchillas dejen de girar por completo antes de limpiar, reparar o inspeccionar la cultivadora/labradora.
- Verifique regularmente lo siguiente:
 - i) Las cuchillas están limpias y giran libremente:** la acumulación de residuos alrededor de las cuchillas puede afectar negativamente el funcionamiento de la máquina o dañar el motor. Inspeccione y limpie el área alrededor de las cuchillas antes de cada uso.
 - ii) Los dispositivos de seguridad funcionan apropiadamente:** no manipule indebidamente los dispositivos de seguridad.
 - iii) Los pernos y tornillos están ajustados apropiadamente:** inspeccione visualmente la cultivadora/labradora en busca de cualquier daño y asegúrese de que esté en condiciones seguras de funcionamiento.
 - iv) Use solo piezas de repuesto idénticas:** reemplace siempre las partes dañadas solo con partes genuinas de fabricante de equipo original (OEM por sus siglas en inglés). Las piezas de repuesto que no cumplan con las especificaciones del equipo original pueden provocar un funcionamiento incorrecto y comprometer la seguridad.

Artefactos de doble aislamiento

En un artefacto de doble aislamiento, se proporcionan dos sistemas de aislamiento en lugar de una conexión a tierra. Un artefacto de doble aislamiento no posee conexión a tierra, y

no debe agregársele ninguna. La reparación de un artefacto de doble aislamiento requiere sumo cuidado y conocimiento del sistema, y solo debe ser realizada por personal técnico calificado en un centro de servicio autorizado por Snow Joe® + Sun Joe®. Las partes de reemplazo de un artefacto de doble aislamiento deben ser idénticas a las partes originales. Un artefacto de doble aislamiento está marcado con las frases “Double Insulation” (“doblemente aislado”) o “Double Insulated” (“aislamiento doble”). El símbolo  (un cuadrado dentro de otro) puede también estar marcado en el artefacto.



DOBLE AISLAMIENTO: NO SE REQUIERE CONEXIÓN A TIERRA. AL REPARAR, USE SOLO PIEZAS DE REPUESTO IDÉNTICAS.

Esta cultivadora/labradora eléctrica tiene doble aislamiento y elimina la necesidad de un sistema separado de conexión a tierra. Use solo piezas de repuesto idénticas. Lea las instrucciones antes de reparar artefactos de doble aislamiento. Use esta cultivadora/labradora solo como se describe en este manual.

Seguridad eléctrica

1. Un interruptor de circuito de falla de conexión a tierra (GFCI) deberá proteger al(a los) circuito(s) o tomacorriente(s) a usarse con esta cultivadora/labradora. Existen receptáculos disponibles con protección incorporada GFCI y pueden ser utilizados para esta medida de seguridad.
2. Para reducir el riesgo de un choque eléctrico, este artefacto posee un enchufe polarizado (es decir una pata es más ancha que la otra). Use este artefacto solo con un cable de extensión polarizado aprobado por UL, CSA o ETL recomendado para uso en exteriores y todo tipo de clima, tal como el cable de extensión de 50 pies y calibre 14 SJTW-A de Snow Joe® + Sun Joe® con extremo iluminado (modelo PJEXT50-B). Visite sunjoe.com para comprar este cable de extensión, o pídalo llamando por teléfono al 1-866-SNOWJOE (1-866-766-9563).

El enchufe del artefacto encajará en el receptáculo del cable de extensión polarizado solo de una manera. Si el enchufe del artefacto no entra por completo dentro del receptáculo del cable de extensión, invierta las clavijas del enchufe. Si el enchufe aún no encaja, obtenga un cable de extensión polarizado correcto.

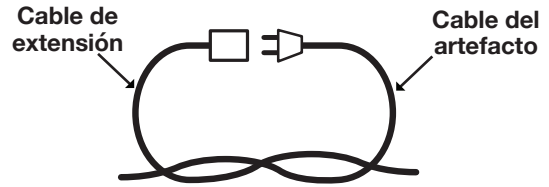
Un cable de extensión polarizado requerirá el uso de un tomacorriente polarizado. El enchufe del cable de extensión encajará en el tomacorriente polarizado de la pared solo de una manera. Si el enchufe no entra por completo dentro del tomacorriente de la pared, invierta las clavijas del enchufe. Si el enchufe aún no encaja, contacte a un electricista calificado para la instalación del tomacorriente de pared apropiado. No modifique el enchufe del artefacto, ni el receptáculo del cable de extensión ni el enchufe del cable de extensión en forma alguna.

3. Para evitar un choque eléctrico, use solo cables de extensión adecuados para uso en exteriores, tales como SW-A, SOW-A, STW-A, STOW-A, SJW-A, SJOW-A, SJTW-A, ó SJTOW-A.

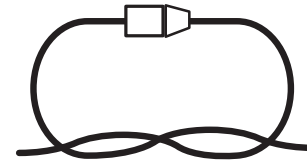
Antes del uso, verifique que el cable de extensión esté en buenas condiciones. Al usar un cable de extensión, asegúrese de usar uno lo suficientemente fuerte como para poder transportar toda la electricidad que su equipo consumirá. Un cable de extensión demasiado fino provocará una caída de tensión en el voltaje produciendo pérdida de potencia y recalentamiento.

4. Para evitar que el cable del artefacto se desconecte del cable de extensión durante la operación, use el gancho incorporado de restricción para cable de extensión y/o haga un nudo con los dos cables tal como se muestra en la Tabla 1.

Tabla 1: método para asegurar el cable de extensión



(A) Ate el cable como se indica



(B) Conecte el enchufe y el receptáculo

5. No maltrate el cable. Nunca jale la cultivadora/labradora por su cable ni tire de éste para desconectarla del enchufe. Mantenga el cable alejado del calor, aceite y bordes afilados.

ADVERTENCIA

Un choque eléctrico puede causar DAÑOS SEVEROS o MUERTE. Tenga en cuenta estas advertencias:











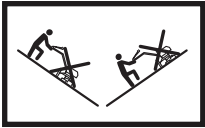


- No deje que ninguna parte de la cultivadora/labradora eléctrica haga contacto con agua mientras esté funcionando. Si el artefacto se moja mientras está apagado, séquelo antes de encenderlo.
- Use solo un cable de extensión aprobado por UL, CSA o ETL recomendado para uso en exteriores y todo tipo de clima, tal como el cable de extensión de 50 pies y calibre 14 SJTW-A de Snow Joe®+ Sun Joe® con extremo iluminado (modelo PJEXT50-B). Visite sunjoe.com para comprar este cable de extensión, o pídale llamando por teléfono al 1-866-SNOWJOE (1-866-766-9563).
- No use un cable de extensión de más de 100 pies (30 m).
- No toque el artefacto o su enchufe con las manos húmedas, o mientras esté parado sobre agua. Usar botas de hule le dará un poco de protección.

TABLA DE CABLES DE EXTENSIÓN

| | | |
|----------------------------------|----------------------|-----------------------------------|
| Longitud del cable de extensión: | Hasta 50 pies (15 m) | +50 pies -100 pies (+15 m - 30 m) |
| Calibre de alambre (AWG): | 14 | 12 |

Símbolos de seguridad

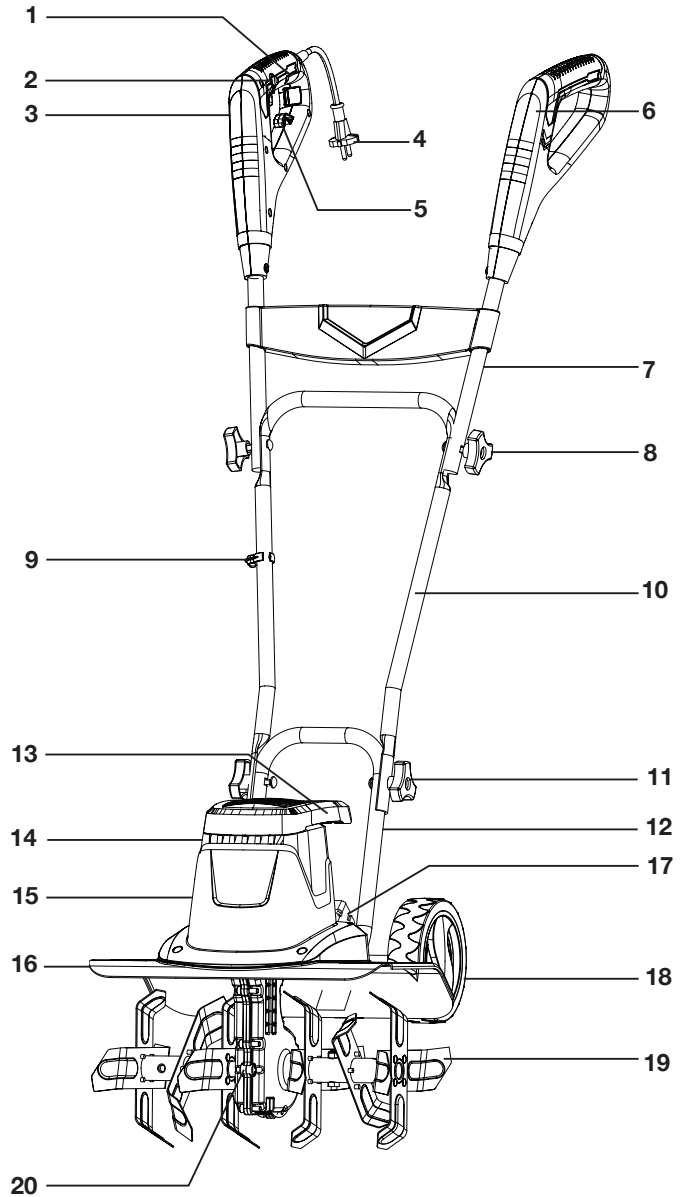
La siguiente tabla muestra y describe los símbolos de seguridad que pueden aparecer en este producto. Lea, comprenda y siga todas las instrucciones relacionadas a la unidad antes de intentar ensamblarla y operarla.

| Símbolo | Descripción | Símbolo | Descripción |
|---|---|--|--|
|  | LEA EL(LOS) MANUAL(ES) DEL OPERADOR: lea, comprenda y siga todas las instrucciones en el(los) manual(es) antes de intentar ensamblar y operar la unidad. |  | Use protección ocular, auditiva y para la respiración (por ejemplo, gafas de seguridad, audífonos y máscaras anti-polvo). |
|  | ALERTA DE SEGURIDAD: indica una precaución, advertencia o peligro. |  | ¡ADVERTENCIA! No exponga la unidad a la lluvia o a condiciones húmedas. |
|  | ¡ADVERTENCIA! Mantenga el cable de extensión alejado de las cuchillas. |  | ¡ADVERTENCIA! Las partes giratorias pueden causar lesiones severas. Asegúrese de que las cuchillas se detengan por completo antes de transportar la máquina o antes de inspeccionarla, limpiarla o llevar a cabo cualquier otra tarea de mantenimiento. |
|  | ¡APÁGUELA! Desconecte el enchufe del tomacorriente antes de limpiar o llevar a cabo rutinas de mantenimiento. |  | ¡APÁGUELA! Desenchufe el cable inmediatamente del tomacorriente si éste se daña o se corta. |
|  | Tenga cuidado con objetos extraños que puedan ser lanzados por el artefacto. Mantenga a los transeúntes a una distancia segura del área de trabajo. |  | Inspeccione el área de trabajo antes de usar el artefacto, y retire todos los objetos que puedan ser lanzados por éste. Si un objeto oculto es descubierto durante el trabajo, detenga el objeto y retire el objeto. |
|  | Utilice guantes protectores y calzado no deslizante al usar la máquina y al manipular desechos. |  | Trabaje a lo largo de las pendientes, nunca hacia arriba y abajo en dichas superficies. |
|  | La pieza giratoria seguirá girando continuamente durante varios segundos después de que haya apagado la máquina. |  | DOBLE AISLAMIENTO – al prestar servicio, use solo piezas de repuesto idénticas. |

Conozca a su cultivadora/labradora eléctrica

Lea detenidamente el manual del propietario y las instrucciones de seguridad antes de operar la cultivadora/labradora eléctrica. Compare la ilustración debajo con la cultivadora/labradora eléctrica para familiarizarse con la ubicación de los diversos controles y ajustes. Guarde este manual para futuras referencias.

1. Gatillo interruptor
2. Botón de bloqueo de seguridad
3. Asa derecha
4. Cable del artefacto
5. Gancho de sujeción para cable de extensión
6. Asa izquierda
7. Mango superior
8. Perilla y perno de mango inferior (2)
9. Sujetador de cable
10. Mango intermedio
11. Perilla y perno de mango intermedio (2)
12. Mango inferior
13. Asa para transporte
14. Conductos de ventilación
15. Carcasa de motor
16. Guarda
17. Ajuste de las ruedas
18. Ruedas
19. Cuchillas de acero
20. Caja de engranajes



Datos técnicos

| | | | |
|---------------------------|---------------------------|------------------------------------|-------------------------|
| Motor..... | 12 A | Rotor..... | Seis cuchillas de acero |
| Voltaje nominal | 120 V ~ 60 Hz | Ancho de cultivo máximo..... | 16 plg (40.6 cm) |
| Velocidad sin carga | 370 ± 10% rpm | Profundidad de cultivo máxima..... | 8 plg (20.3 cm) |
| Mango | Plegable (tres secciones) | Peso neto | 26.5 lbs (12 kg) |

Desembalaje

Contenido del paquete

- Carcasa de cultivadora/labradora eléctrica
- Mango superior
- Mango intermedio
- Tuerca de mariposa y perno (4)
- Manual con tarjeta de registro

1. Retire cuidadosamente la cultivadora/labradora eléctrica y compruebe que todos los artículos anteriores estén suministrados.
2. Inspeccione cuidadosamente el producto para asegurarse de que no haya ocurrido ningún daño o ruptura durante el transporte. Si alguna parte está dañada o extraviada, NO DEVUELVA la unidad a la tienda. Comuníquese con la central de servicio al cliente Snow Joe® + Sun Joe® llamando al 1-866-SNOWJOE (1-866-766-9563).

NOTA: no se deshaga de la caja de transporte ni del material de embalaje hasta que usted esté listo para usar su cultivadora/labradora eléctrica. El empaquetado está hecho de materiales reciclables. Deshágase apropiadamente de estos materiales según los reglamentos locales, o guarde el empaquetado para un almacenamiento del producto a largo plazo.

¡IMPORTANTE! El equipo y los materiales de embalaje no son juguetes. No deje que los niños jueguen con las bolsas plásticas, láminas o piezas pequeñas. ¡Estos objetos pueden ser tragados y representan un riesgo de asfixia!

Ensamblado

⚠ ¡ADVERTENCIA! No conecte la herramienta a la fuente de alimentación hasta que esté completamente ensamblada. El incumplimiento de esta advertencia puede resultar en un encendido accidental y lesiones personales severas.

⚠ ¡ADVERTENCIA! Antes de llevar a cabo cualquier tarea de mantenimiento, asegúrese de que la herramienta esté desenchufada de la fuente de alimentación. No obedecer esta advertencia puede resultar en lesiones severas graves.

⚠ ¡ADVERTENCIA! Para evitar lesiones personales severas, asegúrese de que el interruptor se encuentre en la posición de APAGADO (O), la unidad esté desenchufada y las cuchillas se hayan detenido por completo antes de inspeccionar, limpiar o reparar la unidad.

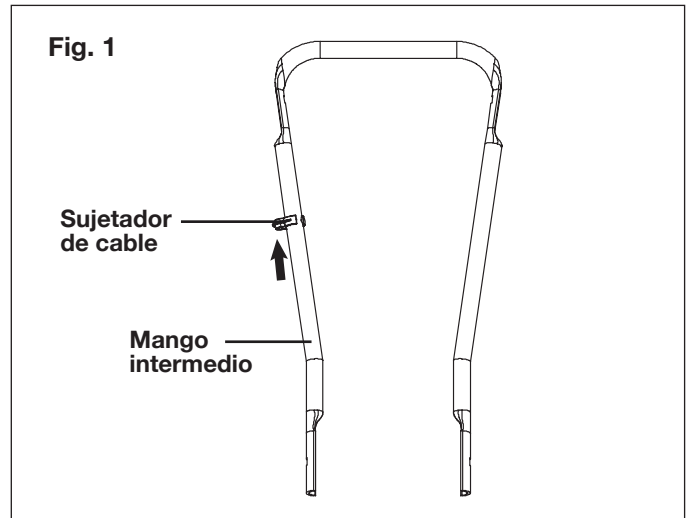
⚠ ¡ADVERTENCIA! El producto debe estar completamente ensamblado antes de su operación. No use un producto que esté ensamblado parcialmente o ensamblado con partes dañadas.

Siga las instrucciones de ensamblado paso a paso y use las imágenes proporcionadas como guía visual para un fácil ensamblado del producto.

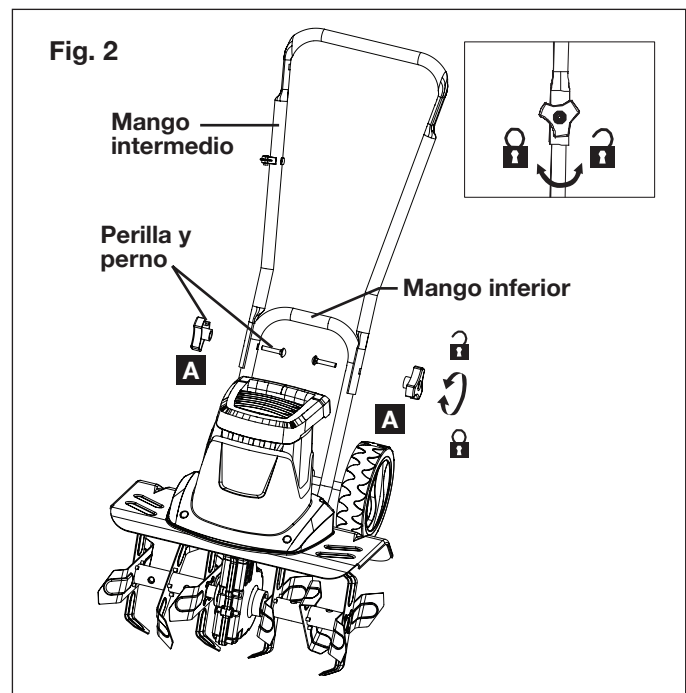
Conexión de los mangos

NOTA: las piezas pequeñas pueden perderse fácilmente durante el ensamblado o al hacer ajustes a la máquina. Para evitar esto, asegure todas las piezas pequeñas retiradas de la máquina y manténgalas en un lugar accesible.

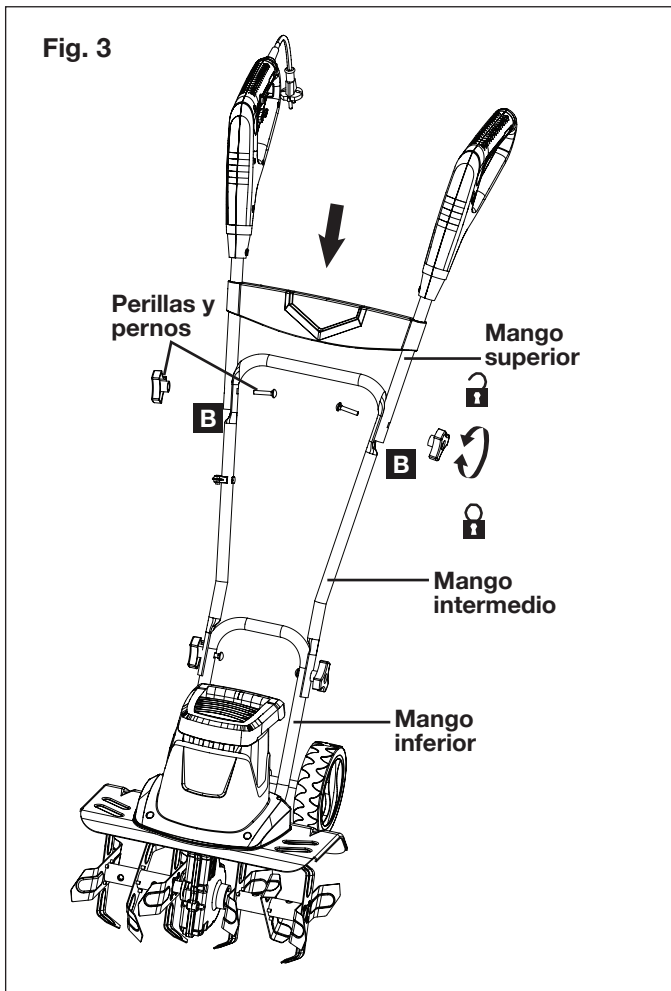
1. Conecte el gancho de cable en el mango intermedio (Fig. 1).



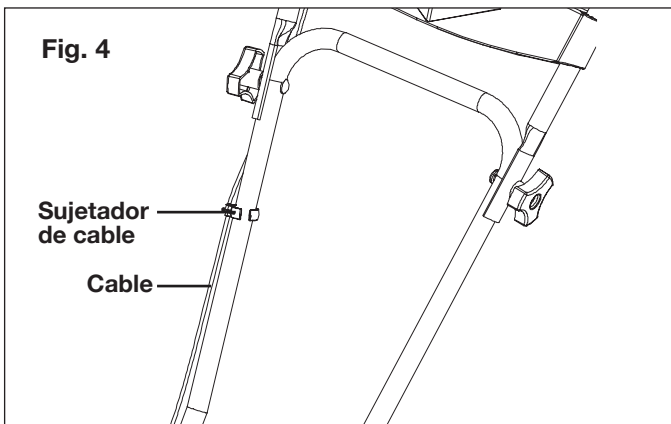
2. Retire los pernos de las perillas y no los pierda.
3. Asegure el mango intermedio al mango inferior usando el primer conjunto de perillas y pernos (A). Ajuste las perillas en cada lado para garantizar un ajuste seguro (Fig. 2).



4. Conecte el mango superior al mango intermedio usando el segundo conjunto de perillas y pernos (B). Ajuste las perillas en cada lado para garantizar un ajuste seguro (Fig. 3).



5. Asegure el cable dentro del gancho para el cable (Fig. 4).



⚠ ¡ADVERTENCIA! Asegúrese de que todas las perillas estén apretadas apropiadamente antes de usar la cultivadora/labradora eléctrica.

Operación

Uso indicado

La cultivadora/labradora eléctrica TJ603E ha sido diseñada para un consumo de potencia de entrada nominal de 1440 Watts.

Diseñada para jardines pequeños y camas de flores, esta cultivadora/labradora eléctrica airea y remueve la tierra. También puede ser usada para mezclar suelo grueso con fertilizante, turba y compostaje. Este producto no puede ser usado para labrar suelo demasiado seco o demasiado mojado.

El uso de este producto bajo la lluvia o en condiciones húmedas está prohibido.

Por motivos de seguridad, es esencial leer en su totalidad todo el manual de instrucciones antes del primer uso, y obedecer todas las instrucciones contenidas en dicho manual.

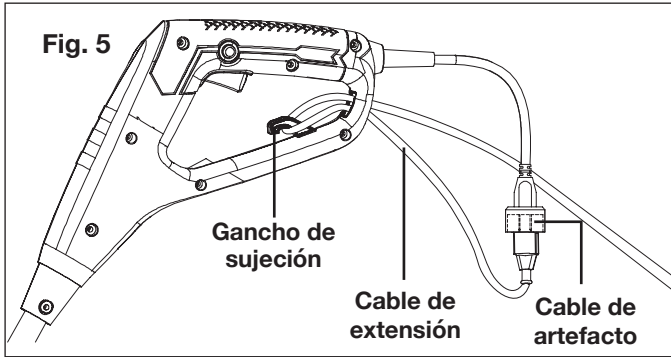
Este producto está destinado solo para uso privado y doméstico. No está destinado para ningún uso comercial. No debe ser usado para ningún propósito distinto a los descritos en este manual.

Conexión a la fuente de alimentación

NOTA: por motivos de seguridad, este producto está equipado con un cable de alimentación corto. No conecte la cultivadora/labradora eléctrica directamente a la fuente de alimentación usando este cable de alimentación. Se requiere un cable de extensión apropiado para su operación. Obedezca los requisitos técnicos para este producto al comprar un cable de alimentación.

⚠ ¡ADVERTENCIA! Por su seguridad, se requiere que el enchufe adjunto a esta cultivadora/labradora sea conectado a un cable de extensión aprobado. El cable de extensión debe ser adecuado para uso en exteriores, con todos sus receptáculos protegidos contra caída de agua. Asegúrese de que el cable de extensión sea del tamaño y tipo apropiado para su producto ($\geq 1.5 \text{ mm}^2$). Use siempre una fuente de alimentación protegida por un dispositivo de corriente residual ("residual current device" o RCD por sus siglas en inglés) o disyuntor de corriente residual ("residual current circuit breaker" o RCCB por sus siglas en inglés).

1. Conecte la cultivadora/labradora eléctrica a un tomacorriente activo de 120 V usando un cable de extensión de alimentación de alta resistencia para exteriores, como el cable de extensión de 50 pies y calibre 14 SJTW-A de Snow Joe® + Sun Joe® con extremo iluminado (Modelo PJEXT50-B). Visite sunjoe.com para pedirlo en línea o llame al 1-866-SNOWJOE (1-866-766-9563) para pedirlo por teléfono.
2. Haga un bucle en el cable de extensión, empújelo a través del orificio en el asa y engánchelo en el gancho de sujeción para cable (Fig. 5). Luego conecte el cable de extensión al cable del artefacto.



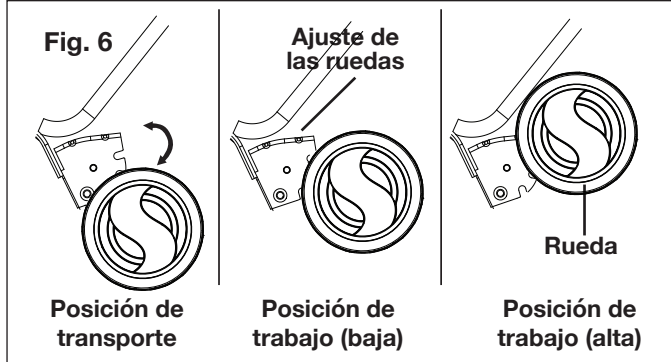
⚠ ¡ADVERTENCIA! Verifique que el voltaje sea el indicado en la etiqueta de características del producto.

Ajuste de las ruedas

⚠ ¡ADVERTENCIA! Siempre apague el producto y desconéctelo de la fuente de alimentación antes de realizar cualquier ajuste.

Las ruedas pueden ser ajustadas a tres posiciones diferentes para controlar la profundidad de cultivo.

1. Jale la rueda y muévela a la posición deseada. Suelte la rueda y asegúrese de que se enganche en su posición (Fig. 6). Asegúrese de colocar ambas ruedas a la misma altura.

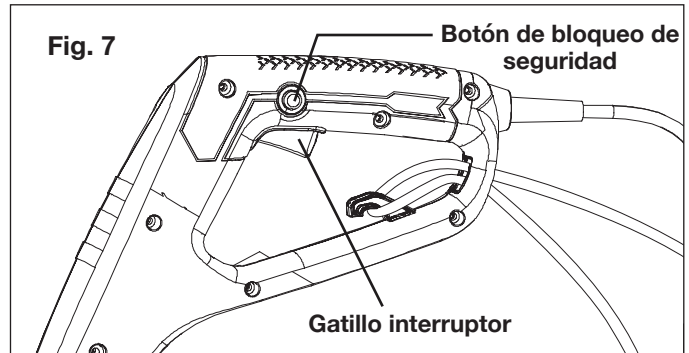


⚠ ¡ADVERTENCIA! Asegúrese siempre de que las ruedas estén colocadas de forma segura. No intente usar el producto con las ruedas sueltas, sin haberse conectado de forma segura.

Encendido y apagado

⚠ ¡ADVERTENCIA! Las cuchillas giratorias pueden causar lesiones severas. Las cuchillas continuarán girando durante algunos segundos después de que el artefacto se haya APAGADO. No toque las cuchillas giratorias. El contacto con las partes calientes de la máquina (carcasa de motor, caja de engranajes, etc.) puede causar quemaduras. Deje que la máquina se enfríe antes de manipularla.

1. Para poner en marcha la herramienta, presione el botón de bloqueo de seguridad con su pulgar y manténgalo apretado, y luego apriete el gatillo interruptor con sus dedos. Una vez que la herramienta esté funcionando, suelte el botón de bloqueo de seguridad (Fig. 7).



2. Para apagar la unidad, suelte el gatillo interruptor (Fig. 7).

Consejos para la operación

- Antes de cada uso, inspeccione el producto, su cable de extensión y cualquier otro accesorio en busca de daños. No use el producto si está dañado o muestra señales de desgaste.
- Vuelva a verificar que los accesorios y partes estén conectados apropiadamente.
- Sujete siempre el producto por sus asas. Mantenga las asas secas para garantizar una sujeción segura.
- Asegúrese de que los conductos de ventilación estén siempre despejados y sin obstrucciones. Límpielos de ser necesario con un cepillo suave. Los conductos de ventilación obstruidos pueden causar sobrecalentamiento y dañar el producto.
- Apague inmediatamente el producto si usted es interrumpido durante el trabajo por otras personas entrando al área de trabajo. Siempre permita que el producto se detenga por completo antes de desviar su atención.
- No trabaje en exceso. Tome descansos regulares para asegurarse de estar concentrado en el trabajo que está haciendo y tener un control total sobre la máquina.

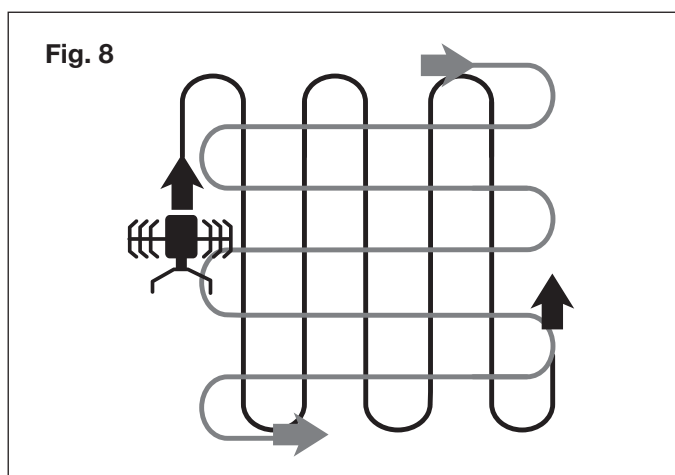
⚠ ¡ADVERTENCIA! En algunos países, hay reglamentos que definen las restricciones de uso para productos como éste, incluyendo las horas y días en que la operación está autorizada. Infórmese en su comunidad sobre información detallada y observe estos reglamentos para poder mantener un vecindario tranquilo y evitar cometer infracciones administrativas.

Cultivo

- Asegúrese de que el área de cultivo esté libre de piedras, palos, alambres u otros objetos que puedan dañar el producto o su motor.
- No labore suelo demasiado húmedo, ya que el suelo húmedo tiende a adherirse a la herramienta de trabajo, evitando una rotación adecuada de las cuchillas. También puede hacer que usted se resbale y caiga.
- Siempre agarre firmemente su producto. Para una mejor guía, aplique una ligera presión en las asas.

⚠ ¡ADVERTENCIA! No coloque manos, pies ni ninguna parte de su cuerpo o vestimenta cerca a las cuchillas giratorias o cualquier otra pieza móvil. Las cuchillas empiezan a girar hacia adelante una vez que el gatillo interruptor es presionado. Las cuchillas continuarán girando hasta que el gatillo interruptor sea soltado. El hacer contacto con las cuchillas giratorias puede causar lesiones personales severas.

- No trate de cultivar demasiado profundo, ni fuerce el producto a labrar en suelo extremadamente duro o resistente.
- Camine empujando el producto a través del suelo a una velocidad normal, y siguiendo una línea tan recta como sea posible.
- Cultive en filas ligeramente superpuestas. Para cultivar de forma más efectiva, siga el patrón indicado en la Fig. 8. Empiece moviendo la cultivadora/labradora hacia arriba y hacia abajo en líneas verticales, y luego trabaje de forma horizontal de izquierda a derecha. Esto mantendrá las filas parejas y asegurará que todo el suelo sea cultivado, sin que usted se pierda ningún área.



- Preste mucha atención al cambiar de dirección. Aplique una presión ligera a las asas para levantar las cuchillas y facilitar la vuelta. Gire el producto usando las ruedas como guía. Gradualmente suelte la presión en las asas y baje las cuchillas de vuelta al suelo.

⚠ ¡ADVERTENCIA! Detenga el motor si el producto golpea un objeto extraño. Apague el producto, desconéctelo de la fuente de alimentación, y deje que se enfríe por completo. Inspeccione el producto minuciosamente en busca de daños. Si los hay, hágalos reparar antes de reiniciar el trabajo.

Una vibración excesiva del producto durante la operación es una indicación de daños. Detenga inmediatamente el motor e inspeccione y haga reparar la herramienta lo más pronto posible.

Después del uso

- Apague el producto, desconéctelo de la fuente de alimentación, y deje que se enfríe por completo.
- Revise, limpie y almacene el producto tal como se describe a continuación.

Cuidado y mantenimiento

Reglas básicas para el cuidado

⚠ ¡ADVERTENCIA! Siempre apague el producto, desconéctelo de la fuente de alimentación y deje que se enfríe por completo antes de inspeccionarlo, limpiarlo o realizar en éste cualquier otra tarea de mantenimiento.

- Mantenga limpio su producto. Retire cualquier escombros luego de cada uso y antes del almacenamiento.
- Una limpieza regular y apropiada ayudará a garantizar un uso seguro y prolongará el ciclo de vida útil del producto.
- Inspeccione el producto antes de cada uso en busca de partes rotas, gastadas o dañadas. Si encuentra partes rotas, gastadas o dañadas, no use la herramienta.

⚠ ¡ADVERTENCIA! Solo realice las tareas de reparación y mantenimiento descritas en este manual. Cualquier otro trabajo deberá ser realizado por un técnico calificado.

Limpieza general

- Limpie el producto con un paño seco. Utilice un cepillo para áreas difíciles de alcanzar.
- En particular, limpie las rejillas de ventilación después de cada uso con un paño y un cepillo.
- Retire la suciedad difícil con aire de alta presión (máxima de 3 bares).

NOTA: no use limpiadores químicos, alcalinos, abrasivos, ni otros detergentes o desinfectantes agresivos para limpiar este producto, ya que dichas sustancias pueden dañar las superficies de la herramienta.

- Verifique que no haya partes gastadas o dañadas. Reemplace las partes gastadas según sea necesario, o contacte al centro de servicio al cliente Snow Joe® + Sun Joe® llamando al 1-866-SNOWJOE (1-866-766-9563) para reparaciones, antes de volver a usar este producto.

Limpieza de la parte inferior y herramienta de trabajo

⚠ ¡ADVERTENCIA! Use guantes protectores al trabajar cerca o con la herramienta de trabajo. Use las herramientas apropiadas (p. ej., un palo de madera) de ser necesario. ¡Nunca use sus manos descubiertas!

- Mantenga el cuerpo inferior y las cuchillas limpias y libres de residuos. Use un cepillo o cualquier otro accesorio para retirar tierra de la herramienta de trabajo.
- Todas las tuercas y tornillos deben ser inspeccionados periódicamente para comprobar que estén bien apretados antes de la operación. Luego de un uso prolongado, especialmente en terrenos arenosos, la herramienta de trabajo se gastará y perderá algo de su forma original. La eficiencia de labrado se reducirá, y la herramienta de trabajo deberá ser reemplazada.
- Haga que las partes dañadas o gastadas sean reemplazadas con partes nuevas del mismo tipo por un técnico calificado.
- Para prolongar el ciclo de vida útil de la herramienta de trabajo y del producto, lubrique las cuchillas luego de cada uso.

Mantenimiento

⚠ ¡ADVERTENCIA! El movimiento inesperado de las cuchillas puede causar lesiones personales. Antes del mantenimiento, reparación o inspección de la unidad, apague el motor y desconecte el cable de extensión. Espere a que las cuchillas hayan dejado de girar por completo antes de realizar cualquier tarea de inspección, limpieza o mantenimiento.

Antes y después de cada uso inspeccione el producto y los accesorios (o partes) en busca de daños y desgaste. De ser necesario, solo use piezas de repuesto idénticas aprobadas por el fabricante.

⚠ ¡ADVERTENCIA! El contacto con componentes calientes de la máquina (p. ej., carcasa de motor, caja de engranajes, etc.) puede causar quemaduras. Permita que la máquina se enfríe antes de manipularla.

¡IMPORTANTE!

- Use guantes protectores durante la limpieza o mantenimiento del artefacto.
- No utilice líquidos de limpieza o disolventes, ni rocíe con agua el artefacto (especialmente agua bajo presión) durante la limpieza de éste.

NOTA: después de cada uso, siga los siguientes pasos para limpiar apropiadamente la unidad:

1. Con un cepillo o paño seco, retire la tierra, suciedad y follaje atrapado en las cuchillas, eje de transmisión, superficie de la cultivadora/labradora y entrada de ventilación.
2. Rocíe o frote aceite biodegradable sobre las cuchillas.
3. Limpie los mangos sucios con un trapo húmedo.

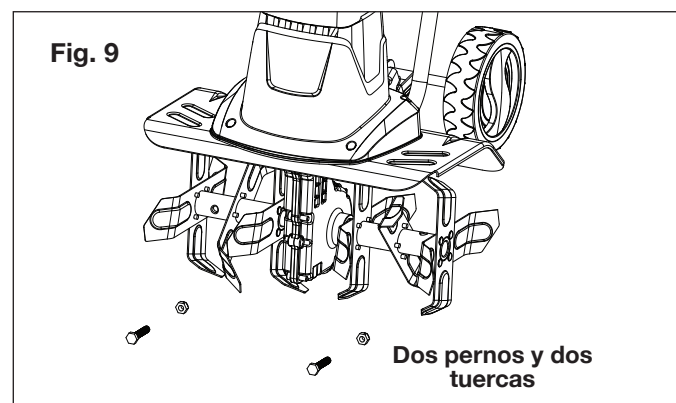
Después de cada uso, siempre inspeccione la máquina para comprobar que no haya partes dañadas o gastadas. Verifique que los dispositivos de seguridad (p. ej., etiquetas, protectores, etc.) estén en su lugar. Verifique que las tuercas, pernos y tornillos estén ajustados.

Cambio de cuchillas

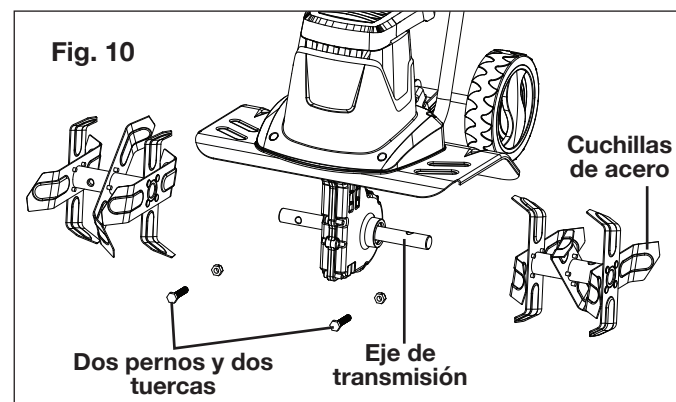
NOTA: el artefacto está equipado con un par de juegos de cuchillas (tres cuchillas en cada juego, seis cuchillas en total) que puede ser fácilmente reemplazado. Cualquiera de los dos juegos de cuchillas de acero del par puede encajar a la derecha o izquierda, según se requiera. Siempre cambie el par de juegos de cuchillas al mismo tiempo para evitar un desequilibrio y daños a la máquina.

Para reemplazar las cuchillas, siga los pasos a continuación:

1. Mientras esté parado en una superficie plana y estable, apague la unidad y desenchufe el enchufe del cable de extensión del tomacorriente.
2. Retire las dos tuercas y dos pernos, y luego retire las cuchillas de acero (Fig. 9).



3. Limpie el eje de transmisión con aceite biodegradable (Fig. 10).
4. Coloque los nuevos juegos de cuchillas sobre el eje de transmisión de manera que los orificios en sus ejes se alineen con los orificios en el eje de transmisión (Fig. 10).
5. Inserte los dos pernos a través de los orificios y asegúrelos con las dos tuercas (Fig. 10).



IMPORTANTE: las cuchillas deben ser colocadas en la dirección giratoria correcta. Vea la forma en que las cuchillas fueron retiradas y coloque las nuevas exactamente de la misma forma.

Cable de alimentación



Si el cable de alimentación se daña, debe ser reemplazado para evitar un peligro en la seguridad. Contacte a un concesionario autorizado Snow Joe® + Sun Joe® o comuníquese con la central de servicio al cliente Snow Joe® + Sun Joe® llamando al 1-866-SNOWJOE (1-866-766-9563).

Reparación

Este producto no contiene ninguna parte que pueda ser reparada por el usuario final. Contacte a un concesionario autorizado Snow Joe® + Sun Joe® o comuníquese con la central de servicio al cliente Snow Joe® + Sun Joe® llamando al 1-866-SNOWJOE (1-866-766-9563) para obtener asistencia.

Almacenamiento

- Examine la cultivadora/labradora eléctrica cuidadosamente y verifique que no haya partes gastadas, sueltas o dañadas. En caso de necesitar una reparación o reemplazar una parte, contacte a un concesionario autorizado Snow Joe® + Sun Joe® o llame al centro de servicio al cliente Snow Joe® + Sun Joe® al 1-866-SNOWJOE (1-866-766-9563) para obtener asistencia.
- Examine el cable de extensión cuidadosamente y busque señales de desgaste o daños. Si está gastado o dañado, reemplácelo inmediatamente.
- Desconecte el cable de extensión de la cultivadora/labradora eléctrica antes de guardarla.
- Limpie el producto tal como se describe anteriormente.
- Guarde el producto y sus accesorios en un lugar oscuro, seco, donde no se forme escarcha y que esté bien ventilado.
- Guarde siempre el producto en un lugar al cual los niños no puedan acceder.
- La temperatura ideal de almacenamiento es entre 50°F (10°C) y 86°F (30°C).
- Se recomienda usar el empaque original para guardar el producto, o cubrirlo con una tela o cubierta adecuada para protegerlo contra el polvo.

Transporte

- Apague el producto y desconéctelo de la fuente de alimentación. Asegúrese de que las ruedas estén en la posición de transporte (ver Fig. 6, pág. 9).
- Siempre lleve el producto por su asa para transporte.

- Si está transportando la cultivadora/labradora en un vehículo, sujétela adecuadamente para protegerla contra impactos o vibraciones fuertes.
- Asegure el producto para evitar que se caiga o resbale.

Reciclaje y eliminación

El producto viene en un paquete que lo protege contra daños durante el transporte. Conserve el paquete hasta que usted esté seguro de que todas las partes hayan venido dentro de éste y que el producto esté funcionando adecuadamente. Luego, recicle el empaque o consérvelo para un almacenamiento a largo plazo.

Símbolo WEEE. Los productos eléctricos no deben ser desechados en la basura doméstica. Recíclelos en centros de reciclaje. Consulte con las autoridades locales o tienda local para enterarse acerca de las normas de reciclaje.

Servicio y soporte

Si su cultivadora/labradora TJ603E de Sun Joe® requiere ser reparada o mantenida, comuníquese con la central de servicio al cliente de Snow Joe® + Sun Joe® llamando al 1-866-SNOWJOE (1-866-766-9563).

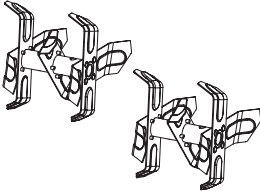
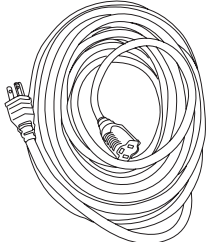
Modelo y número de serie

Al contactar a la empresa, ordenar piezas de repuesto o programar una reparación en un centro autorizado, usted necesitará proporcionar el modelo y número de serie, los cuales se encuentran en la etiqueta ubicada en la carcasa de la unidad. Copie estos números en el espacio proporcionado a continuación.

| | |
|---|--|
| Registre los siguientes números que se encuentran en la carcasa o mango de su nuevo producto: | |
| N° de modelo: | |
| T J 6 0 3 E | |
| N° de serie: | |
| | |

Accesorios

⚠ ¡ADVERTENCIA! USE SIEMPRE solo partes de repuesto y accesorios Snow Joe® + Sun Joe®. NUNCA use partes de repuesto o accesorios que no hayan sido diseñados para su uso con esta cultivadora/labradora. Comuníquese con Snow Joe® + Sun Joe® si tiene dudas sobre si es seguro usar una parte de repuesto o accesorio en particular con su cultivadora/labradora. El uso de cualquier otro accesorio o parte puede ser peligroso y puede causar lesiones personales o daños mecánicos.

| Accesorios | Artículo | Modelo |
|---|---|------------------|
| <p>①</p>  | <p>Cuchillas de repuesto</p> | <p>TJ603E-2</p> |
| <p>②</p>  | <p>Cable de extensión de 50 pies y calibre 14 Snow Joe® + Sun Joe® SJTW-A con extremo iluminado</p> | <p>PJEXT50-B</p> |

NOTA: los accesorios están sujetos a cambios sin previo aviso por parte de Snow Joe® + Sun Joe®. Los accesorios pueden ser pedidos en línea en www.sunjoe.com o vía telefónica llamando al centro de servicio al cliente Snow Joe®+ Sun Joe® al 1-866-SNOWJOE (1-866-766-9563).



LA PROMESA DE SNOW JOE® + SUN JOE® AL CLIENTE

POR SOBRE TODO, en Snow Joe, LLC (“Snow Joe”) estamos dedicados a usted, nuestro cliente. Nos esforzamos por hacer que su experiencia sea lo más placentera posible. Desafortunadamente, hay veces en que un producto Snow Joe®, Sun Joe®, o Aqua Joe® (el “Producto”) no funciona o sufre un desperfecto bajo condiciones normales de operación. Creemos que es importante que usted sepa que puede confiar en nosotros. Es por eso que tenemos esta Garantía Limitada (la “Garantía”) para nuestros Productos.

NUESTRA GARANTÍA:

Snow Joe garantiza que sus Productos motorizados y no motorizados, nuevos y genuinos, están libres de defectos materiales o de mano de obra al ser usados en tareas domésticas normales durante un periodo de dos (2) años a partir de la fecha de compra por parte del comprador original y usuario final, cuando este último los compra a través de Snow Joe o un vendedor autorizado por Snow Joe y ha obtenido un comprobante de compra. Ya que Snow Joe no puede controlar la calidad de sus Productos vendidos por vendedores no autorizados, a menos que la ley lo prohíba esta Garantía no cubre Productos adquiridos a través de vendedores no autorizados. Si su Producto no funciona, o hay un problema con una parte específica que está cubierta por los términos de esta Garantía, Snow Joe elegirá entre: (1) enviarle una parte de repuesto gratuita; (2) reemplazar el Producto con uno nuevo o similar sin costo alguno; o (3) reparar el Producto. ¡Un excelente soporte!

Esta Garantía le da derechos legales específicos, y usted puede también tener otros derechos según el Estado.

REGISTRO DEL PRODUCTO:

Snow Joe le recomienda enfáticamente registrar su Producto. Usted puede registrar su Producto en línea visitando snowjoe.com/register, imprimiendo y enviando por correo una tarjeta de registro disponible en línea en nuestro sitio Web, llamando a nuestra central de servicio al cliente al **1-866-SNOWJOE (1-866-766-9563)**, o enviándonos un e-mail a help@snowjoe.com. Si usted no registra su Producto sus derechos de garantía no disminuirán; sin embargo, registrar su Producto permitirá que Snow Joe le pueda atender mejor si usted tiene alguna necesidad como cliente.

¿QUIÉN PUEDE SOLICITAR COBERTURA DE GARANTÍA LIMITADA?

Esta Garantía es otorgada por Snow Joe al comprador original y propietario original del Producto.

¿QUÉ NO ESTÁ CUBIERTO?

Esta Garantía no se aplica si el Producto ha sido usado de forma comercial o en aplicaciones no domésticas o de alquiler. Esta Garantía tampoco se aplica si el Producto fue adquirido desde un vendedor no autorizado. Esta garantía tampoco cubre cambios cosméticos que no afecten el funcionamiento del Producto. Las partes desgastables como correas, brocas y cuchillas no están cubiertas por esta Garantía, y pueden ser compradas visitando snowjoe.com o llamando al **1-866-SNOWJOE (1-866-766-9563)**.

IMPORTANT!

Consignes de sécurité


Tous les utilisateurs doivent lire ces instructions avant d'utiliser la machine

Suivez toujours ces consignes de sécurité. Ne pas s'y conformer peut entraîner de graves blessures, voire même la mort.

AVERTISSEMENTS d'ordre général en matière de sécurité!


Vous-mêmes, ainsi que tout autre utilisateur de ce rotoculteur-cultivateur de jardin, devez lire, comprendre et observer ces instructions dans leur intégralité. Le non-respect de ces consignes de sécurité pourrait être à l'origine de DÉCHARGES ÉLECTRIQUES, d'un INCENDIE et/ou de GRAVES BLESSURES.

Prenez note du symbole d'alerte de sécurité personnelle

 utilisé dans ce manuel pour attirer votre attention sur un AVERTISSEMENT s'appliquant à une consigne d'utilisation particulière. Ce symbole indique que cette utilisation nécessite d'être particulièrement VIGILANT, de prendre des PRÉCAUTIONS et d'être CONSCIENT DES DANGERS.

- 1. Maintenir la zone de travail propre et bien éclairée**
– Les endroits encombrés ou sombres favorisent les accidents.
- 2. Pièces de rechange** – Lors de toute intervention sur cette machine, utilisez uniquement des pièces de rechange identiques. Remplacez ou réparez immédiatement tout cordon endommagé.
- 3. Maintenir les spectateurs, les enfants et les animaux familiers à bonne distance** – Tous les spectateurs, notamment les animaux familiers, doivent être maintenus à une distance de sécurité de la zone de travail.
- 4. Apprendre à bien connaître la machine** – Sachez comment démarrer et arrêter la machine. Familiarisez-vous complètement avec les commandes.
- 5. Utiliser le bon outil** – N'utilisez pas cette machine pour des travaux différents de ceux pour lesquels elle est destinée.

- 6. S'habiller en conséquence** – Ne portez ni vêtements amples ni bijoux, ceux-ci pouvant se prendre dans les pièces mobiles. Les cheveux longs doivent être ramassés sous un couvre-chef. Il est recommandé de porter des gants en caoutchouc et des chaussures suffisamment montantes et antidérapantes pour tout travail à l'extérieur.
- 7. Rallonges électriques** – Pour éviter de s'électrocuter, utilisez uniquement une rallonge prévue pour l'extérieur.
- 8. Éviter tout démarrage accidentel** – Ne transportez pas le rotoculteur-cultivateur de jardin en maintenant le doigt sur l'interrupteur. Avant de brancher ou de débrancher la machine, assurez-vous que l'interrupteur est sur la position d'arrêt.

 **MISE EN GARDE!** Les pièces mobiles continueront de tourner pendant plusieurs secondes après avoir arrêté la machine.

- 9. Ne pas utiliser pas le cordon à mauvais escient** – Ne tirez jamais le rotoculteur-cultivateur de jardin par le cordon et ne tirez pas brusquement sur le cordon pour le retirer de la prise. Maintenez le cordon éloigné de toute source de chaleur, de l'huile et des objets tranchants.
- 10. Pièces en mouvement** – Maintenez les mains et les pieds éloignés des pièces en mouvement. Maintenez en place et en bon ordre de marche les dispositifs de sécurité.
- 11. Ne pas forcer la machine** – Elle fonctionnera mieux, sera moins dangereuse et moins susceptible de tomber en panne si elle est utilisée au régime pour lequel elle a été conçue.
- 12. Ne pas s'arc-bouter** – Restez en permanence sur vos deux pieds et ne perdez pas l'équilibre.
Si le rotoculteur-cultivateur heurte un corps étranger, suivez ces étapes :
 - **Arrêter le rotoculteur-cultivateur électrique.**
 - **Vérifier si la machine n'est pas endommagée.**
 - **Réparer tout dommage avant de redémarrer et d'utiliser à nouveau la machine.**
- 13. Porter des lunettes de protection** – Portez également des chaussures de protection, des vêtements serrés près du corps, des gants de protection, des protecteurs d'oreilles et une protection de la tête.
- 14. Débrancher l'outil** – Débranchez le rotoculteur-cultivateur de la source d'alimentation électrique quand vous ne l'utilisez pas, avant d'intervenir dessus, quand vous changez les accessoires ou quand vous effectuez toute autre tâche d'entretien.

- 15. Remiser l'outil à l'intérieur, à l'arrêt complet** – Quand il n'est pas utilisé, le rotoculteur-cultivateur doit être remis à l'intérieur dans un endroit sec, surélevé ou sous clé, hors de portée des enfants.
- 16. Effectuer avec soin l'entretien du rotoculteur-cultivateur** – Pour un rendement optimal et pour réduire le risque de blessures, maintenez les tranchants bien affûtés et propres. Inspectez périodiquement la rallonge électrique et remplacez-la si elle est endommagée. Maintenez les poignées sèches, propres et exemptes d'huile et de graisse. Suivez les recommandations complémentaires décrites dans la section Entretien de ce manuel.
- 17. Éviter les environnements dangereux** – N'utilisez pas le rotoculteur-cultivateur sous la pluie ou dans des endroits trempés ou mouillés. N'utilisez pas le rotoculteur-cultivateur quand il y a du gaz dans l'air, quand l'atmosphère est explosive ou près de liquides inflammables ou combustibles. Le moteur de ce type d'outils fait des étincelles, et les étincelles peuvent enflammer des vapeurs.
- 18. Rester vigilant** – Surveillez ce que vous faites. Faites preuve de bon sens. N'utilisez pas le rotoculteur-cultivateur si vous êtes fatigué, si vous avez consommé de l'alcool ou de la drogue ou si vous avez pris des médicaments.
- 19. Vérifier que les pièces ne sont pas endommagées** – Avant d'utiliser la machine, inspectez-la soigneusement pour vérifier que les dispositifs de protection ou toute autre pièce ne sont pas endommagés et pour vous assurer qu'elle fonctionne correctement pour l'utilisation à laquelle elle est destinée. Vérifiez l'alignement des pièces en mouvement, l'absence de grippage des pièces en mouvement, de rupture de pièce, le montage et tout autre problème susceptible d'entraver le bon fonctionnement de l'outil. Le dispositif de protection ou toute pièce endommagée doivent être réparés ou remplacés de façon appropriée. Communiquez avec le service clientèle Snow Joe® + Sun Joe® en appelant le 1-866-SNOWJOE (1-866-766-9563) pour de l'aide.

Formation

- Avant d'utiliser le rotoculteur-cultivateur, lisez, comprenez et suivez toutes les instructions sur la machine et dans le manuel. Familiarisez-vous bien avec les commandes et l'utilisation appropriée de votre machine. Sachez comment arrêter rapidement la machine et débrayer rapidement les commandes.
- Les enfants ne doivent jamais être autorisés à avoir accès à la machine. Les adultes ne devraient jamais utiliser la machine sans avoir lu attentivement et compris ces instructions.
- Maintenez la zone de travail débarrassée de toutes personnes, en particulier les petits enfants, et des animaux familiers.
- Faites très attention pour éviter de glisser ou de tomber.
- Pour éviter de rejeter des débris ou quoi que ce soit en direction de personnes, d'animaux familiers ou d'éléments matériels (p. ex., fenêtres, voitures, etc.), prévoyez toujours le chemin que vous allez suivre pour labourer. Tout ce qui est rejeté par la machine peut être à l'origine de graves dommages corporels et matériels. Ne laissez personne devant une machine dont le moteur tourne.
- Maintenez les personnes, les animaux familiers et les éléments matériels au moins à 8 m du rotoculteur-cultivateur quand vous l'utilisez. Arrêtez le rotoculteur-cultivateur si des personnes ou des animaux familiers sont dans la zone où des débris ou quoi que ce soit pourraient être rejetés par la machine.
- Pour éviter de glisser, de tomber et de heurter quoi que ce soit de façon inattendue, observez toujours l'état dans lequel est le sol.

Préparation

- Inspectez toujours la zone où le rotoculteur-cultivateur doit être utilisé. Retirez tout ce qui pourrait être rejeté par les lames ou faire trébucher l'utilisateur, par exemple des pierres, des bouts de bois, des fils métalliques ou tout autre corps étranger.
- Tout ce qui est rejeté par la machine peut causer de graves blessures aux yeux et aux parties du corps non protégées. Portez toujours des lunettes de sécurité ou des masques de protection pendant l'utilisation et lors de réglages ou de réparations.
- Portez toujours des vêtements adéquats quand vous utilisez le rotoculteur-cultivateur. Ne portez ni bijoux ni vêtements amples qui pourraient se prendre dans les pièces mobiles. Portez des chaussures antidérapantes pour ne pas glisser et perdre l'équilibre.
- Observez toutes les réglementations et lois de lutte contre le bruit.
- Inspectez le rotoculteur-cultivateur pour vérifier qu'aucune pièce ou étiquette de sécurité n'est usée, ne manque ou n'est endommagée. Pour des instructions détaillées, veuillez consulter la section Entretien.

Utilisation

- N'utilisez pas la machine si vous êtes sous l'emprise d'alcool ou de drogue.
- Maintenez en place et en bon ordre de marche tous les dispositifs de sécurité. N'utilisez pas la machine si un composant manque ou est endommagé.
- Avant de labourer, assurez-vous que les commandes (démarrage/arrêt) fonctionnent correctement.
- Tenez le rotoculteur-cultivateur des deux mains quand vous l'utilisez. Assurez-vous que les poignées sont sèches.
- Tout contact avec des pièces tournantes peut amputer les mains et les pieds. Tenez les mains et les pieds éloignés des pièces tournantes.
- N'utilisez le rotoculteur-cultivateur que si la visibilité est bonne et qu'il ne pleut pas. Assurez toujours vos pas et tenez fermement les poignées. Marchez, mais ne courez pas!
- N'utilisez pas le rotoculteur-cultivateur sur des surfaces glissantes. Assurez bien votre équilibre pendant l'utilisation de la machine.
- Faites très attention quand vous changez de direction et quand vous utilisez la machine sur des pentes. Maintenez les pieds et les jambes à bonne distance de la machine. Soyez à l'affût des obstacles ou des dangers cachés.
- Ne surchargez pas la capacité de la machine en essayant de labourer trop profondément. Cela pourrait créer une force de résistance excessive.
- Pour régler ou inspecter le rotoculteur-cultivateur, arrêtez-le et débranchez le cordon électrique avant de quitter votre position de conduite (derrière les poignées). Patientez jusqu'à ce que toutes les lames s'arrêtent complètement.
- Si le rotoculteur-cultivateur se met à vibrer anormalement, arrêtez la machine et inspectez-la minutieusement pour vérifier qu'elle n'est pas endommagée.
- Si vous devez vous déplacer pour aller sur une nouvelle zone de travail, arrêtez la machine et débranchez-la du secteur. Avant de transporter la machine, laissez les lames s'arrêter complètement.
- Si vous êtes confronté à une situation qui n'est pas traitée dans ce manuel, faites toujours preuve de précautions et de bon sens. En cas de doute ou si vous ne savez pas quoi faire, communiquez avec un revendeur Snow Joe® + Sun Joe® agréé ou appelez le service clientèle Snow Joe® + Sun Joe® au 1-866-SNOWJOE (1-866-766-9563).
- N'utilisez pas la machine sous la pluie ou par forte humidité.
- Ne saisissez pas les lames de coupe ou leur tranchant pour tenir la machine ou la transporter.

Fin des travaux


- Quand vous arrêtez de travailler ou quand vous changez de zone de travail, arrêtez toujours le rotoculteur-cultivateur et débranchez l'alimentation électrique. Ne laissez jamais le moteur tourner quand la machine est sans surveillance.

- Les lames continueront à tourner pendant un bref moment après avoir arrêté le rotoculteur-cultivateur. Avant de soulever la machine ou d'effectuer une inspection ou un entretien, patientez jusqu'à ce que les lames se soient complètement arrêtées.
- Le caisson moteur reste chaud pendant une courte période après arrêt de la machine. Laissez le caisson moteur se refroidir complètement avant de le toucher ou de ranger la machine près de matériaux combustibles.

Entretien et remisage

- Maintenez visibles les étiquettes de sécurité et d'instructions ou remplacez-les.
- Avant de nettoyer, de réparer ou d'inspecter le rotoculteur-cultivateur, débrayez toutes les commandes, arrêtez le moteur et patientez jusqu'à ce que les lames se soient complètement arrêtées.
- Vérifiez régulièrement ce qui suit :
 - i) Les lames ne sont pas bloquées et peuvent tourner librement** – Toute accumulation de débris autour des lames pourrait réduire le rendement du moteur ou l'endommager. Inspectez et nettoyez la zone autour des lames avant chaque utilisation.
 - ii) Les dispositifs de sécurité fonctionnent correctement** – Ne trafiquez pas les dispositifs de sécurité et ne cherchez pas à les régler.
 - iii) Les boulons et les vis sont correctement serrés** – Inspectez visuellement la machine pour vérifier qu'elle n'est pas endommagée et pour vous assurer que le rotoculteur-cultivateur est en bon état de marche.
 - iv) Utiliser uniquement des pièces de rechange identiques** – Remplacez toujours les pièces endommagées uniquement par des pièces de fabricant d'équipement. Les pièces de rechange qui ne répondent pas aux spécifications de pièces d'origine peuvent être la cause d'un rendement anormal de la machine et compromettre la sécurité de l'utilisateur.

Machines à double isolation

Les machines à double isolation sont dotées de deux systèmes d'isolation au lieu d'une mise à la terre. Aucune mise à la terre n'est prévue sur les machines à double isolation et aucune mise à la terre ne doit être ajoutée à ces machines. Toute intervention sur une machine à double isolation exige un soin extrême et une parfaite connaissance du système et doit être effectuée uniquement par du personnel technique qualifié chez un revendeur Snow Joe® + Sun Joe® agréé. Les pièces de rechange pour une machine à double isolation doivent être identiques aux pièces d'origine. Les indications « Double isolation » ou « Doublement isolé » sont marquées sur toutes les machines à double isolation. Le symbole  (carré dans un carré) peut être également marqué sur la machine.



DOUBLE ISOLATION : MISE À LA TERRE NON NÉCESSAIRE. POUR LES RÉPARATIONS, UTILISER UNIQUEMENT DES PIÈCES DE RECHANGE IDENTIQUES.

Ce rotoculteur-cultivateur électrique est à double isolation, éliminant ainsi la nécessité d'un système séparé de mise à la terre. Utiliser uniquement des pièces de rechange identiques. Lire les instructions avant d'intervenir sur une machine à double isolation. Utiliser ce rotoculteur-cultivateur électrique uniquement comme décrit dans ce manuel.

Sécurité électrique

- Des dispositifs de protection contre les défauts de terre (disjoncteurs de fuite de terre) doivent être fournis sur le(s) circuit(s) ou la(les) prise(s) utilisés pour ce rotoculteur-cultivateur électrique. Des prises intégrant un disjoncteur de fuite de terre sont disponibles et peuvent être utilisées pour répondre à cette mesure de sécurité.
- Pour réduire le risque de décharge électrique, cette machine est munie d'une fiche polarisée (c.-à-d., une lame est plus large que l'autre). Utiliser cette machine uniquement avec une rallonge électrique à fiche polarisée, homologuée UL, CSA ou ETL, recommandée pour l'extérieur et tout temps, par exemple la rallonge électrique 15 m de calibre 14 Snow Joe® + Sun Joe® SJTW-A dont les extrémités s'éclairent quand elle est sous tension (modèle PJEXT50-B). Visiter sunjoe.com pour acheter en ligne cette rallonge électrique, ou bien pour la commander par téléphone, appeler le 1-866-SNOWJOE (1-866-766-9563).

La fiche de la machine ne s'insère que d'une seule façon dans une rallonge à fiche polarisée. Si la fiche de la machine ne rentre pas complètement dans la rallonge, l'inverser. Si la fiche ne s'insère toujours pas, se procurer une rallonge à fiche polarisée. Une rallonge à fiche polarisée nécessite l'utilisation d'une prise murale polarisée. La fiche polarisée de la rallonge ne s'insère que d'une seule façon dans la prise murale polarisée. Si la fiche ne rentre pas complètement dans la prise murale, l'inverser. Si la fiche ne s'insère toujours pas, communiquer avec un électricien qualifié pour qu'il pose une prise adéquate. Ne modifier en aucune façon la fiche de la machine, la prise de la rallonge ou la fiche de la rallonge.

- Pour éviter les décharges électriques, utiliser uniquement une rallonge électrique appropriée pour l'extérieur, par exemple SW-A, SOW-A, STW-A, STOW-A, SJW-A, SJOW-A, SJTW-A ou SJTOW-A.

Avant son utilisation, vérifier que la rallonge électrique est en bon état. Si on utilise une rallonge électrique, s'assurer qu'elle soit de calibre suffisant pour le courant que l'outil va consommer. Une rallonge sous-dimensionnée provoquera une chute de tension dans les lignes, ce qui entraînera une perte de puissance et une surchauffe.

⚠ AVERTISSEMENT ⚠

Les décharges électriques peuvent entraîner des BLESSURES GRAVES, voire même FATALES. Tenir compte de ces avertissements :

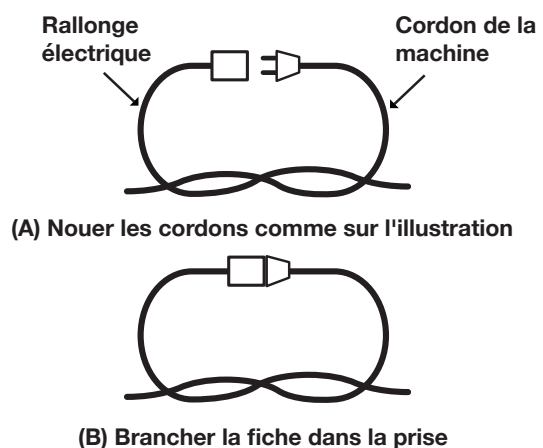
- Ne laisser aucune pièce du rotoculteur-cultivateur électrique entrer en contact avec de l'eau pendant son utilisation. Si la machine se mouille lorsqu'elle n'est pas sous tension, l'essuyer avant de la redémarrer.
- Utiliser uniquement une rallonge électrique homologuée UL, CSA ou ETL, recommandée pour une utilisation à l'extérieur et tout temps, par exemple la rallonge électrique 15 m de calibre 14 Snow Joe® + Sun Joe® SJTW-A dont les extrémités s'éclairent quand elle est sous tension (modèle PJEXT50-B). Visiter sunjoe.com pour acheter en ligne cette rallonge électrique, ou bien pour la commander par téléphone, appeler le 1-866-SNOWJOE (1-866-766-9563).
- Ne pas utiliser de rallonge électrique supérieure à 30 m .
- Ne pas toucher la machine ou sa prise de courant les mains mouillées ou les pieds dans l'eau. Le port de bottes de caoutchouc offre une certaine protection.

TABLEAU – RALLONGE ÉLECTRIQUE

| | | |
|--------------------------------------|--------------|-------------|
| Longueur de la rallonge électrique : | Jusqu'à 15 m | +15 m -30 m |
| Calibre de fil (AWG) : | 14 | 12 |

- Pour empêcher que le cordon de la machine se débranche de la rallonge électrique pendant son utilisation, utiliser le crochet de retenue de la rallonge électrique et/ou faire un nœud avec les deux cordons comme cela est illustré Tableau 1.












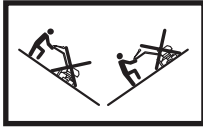


Tableau 1. Méthode d'attache de rallonge électrique



- Ne pas utiliser le cordon à mauvais escient. Ne jamais tirer le rotoculteur-cultivateur de jardin par le cordon et ne pas tirer brusquement sur le cordon pour le retirer de la prise. Maintenir le cordon éloigné de toute source de chaleur, de l'huile et des objets tranchants.

Symboles de sécurité

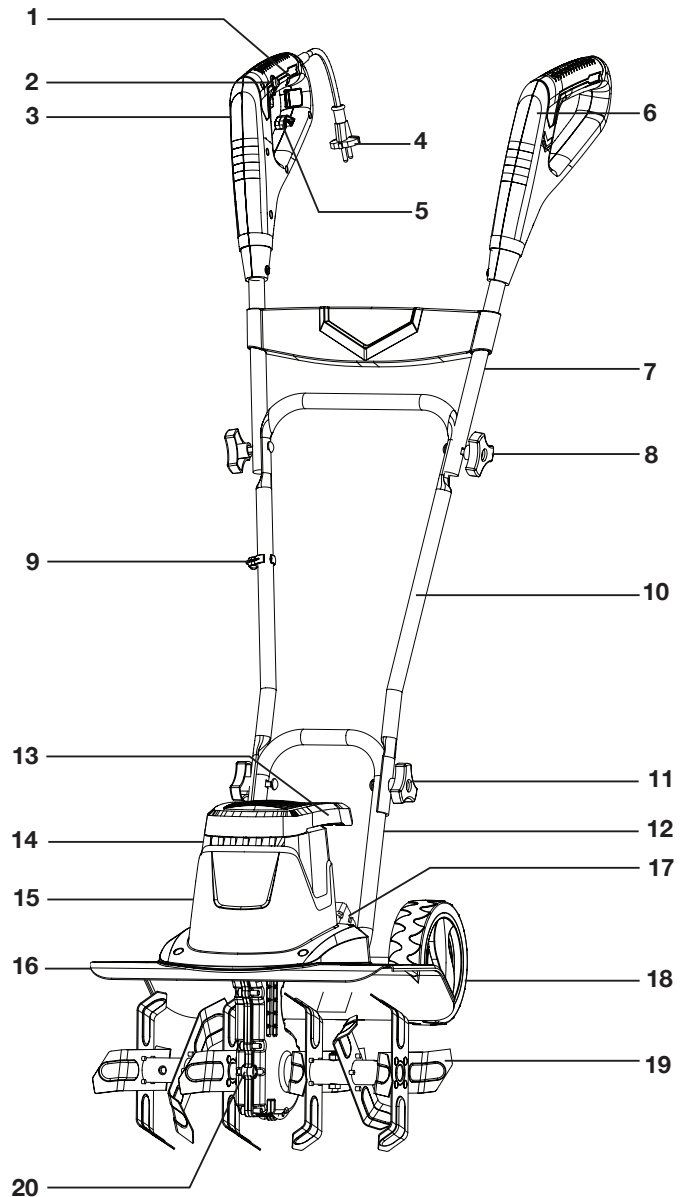
Le tableau suivant décrit et explique les symboles de sécurité pouvant être marqués sur cet outil. Lisez, comprenez et suivez toutes les instructions sur l'outil avant d'essayer de procéder à son assemblage et de l'utiliser.

| Symboles | Descriptions | Symboles | Descriptions |
|---|--|--|--|
|  | LIRE LE OU LES MANUELS D'UTILISATION – Lire, comprendre et suivre toutes les instructions du ou des manuels avant d'essayer d'assembler et d'utiliser la machine. |  | Porter une protection oculaire, un masque respiratoire et des protecteurs d'oreilles (p. ex., des lunettes de sécurité, un masque protecteur contre la poussière et des protecteurs antibruit). |
|  | ALERTE DE SÉCURITÉ – Indique une précaution, un avertissement ou un danger. |  | AVERTISSEMENT! Ne pas utiliser l'outil sous la pluie ou par forte humidité. |
|  | AVERTISSEMENT! Tenir les rallonges électriques à l'écart des lames. |  | AVERTISSEMENT! Les pièces tournantes peuvent blesser gravement. Avant de transporter la machine ou avant de l'inspecter, de la nettoyer ou d'effectuer un entretien, quel qu'il soit, s'assurer que les lames soient complètement arrêtées. |
|  | DÉBRANCHER! Retirer le cordon de la prise avant tout nettoyage ou toute vérification d'entretien. |  | DÉBRANCHER! Débrancher immédiatement le cordon de la prise s'il est endommagé ou entaillé. |
|  | Attention aux corps étrangers pouvant être rejetés par la machine. Maintenir les spectateurs à bonne distance de la zone de travail. |  | Inspecter la zone de travail avant utilisation de la machine et retirer tout ce qui peut être rejeté par la machine. Si un objet caché est découvert pendant le labourage, arrêter la machine et retirer l'objet. |
|  | Porter des gants de protection et des chaussures antidérapantes pour utiliser la machine et manipuler des débris. |  | Travailler en travers de la pente, jamais en montant ou en descendant. |
|  | La pièce tournante continuera de tourner plusieurs secondes après avoir arrêté la machine. |  | DOUBLE ISOLATION : pour les réparations, utiliser uniquement des pièces de rechange identiques. |

Apprenez à mieux connaître votre rotoculteur-cultivateur électrique.

Lisez attentivement le manuel de l'utilisateur et les consignes de sécurité avant d'utiliser le rotoculteur-cultivateur électrique. Comparez l'illustration ci-dessous avec le rotoculteur-cultivateur électrique pour vous familiariser avec l'emplacement des différents réglages et commandes. Conservez ce manuel pour pouvoir vous y reporter dans le futur.

1. Gâchette
2. Bouton-poussoir de sécurité
3. Poignée droite
4. Cordon de la machine
5. Crochet de retenue de rallonge électrique
6. Poignée gauche
7. Poignée supérieure
8. Bouton et boulon de poignée supérieure (2)
9. Attache-cordon
10. Poignée intermédiaire
11. Boutons et boulons de poignée supérieure (2)
12. Poignée inférieure
13. Poignée de transport
14. Ouvertures d'aération
15. Caisson moteur
16. Dispositif de protection
17. Réglage de roue
18. Roues
19. Lames en acier
20. Boîte d'engrenages



Données techniques

| | | | |
|-----------------------|--------------------------|-----------------------------------|-------------------------------|
| Moteur | 12 A | Rotor..... | 6 lames de labourage en acier |
| Tension nominale..... | 120 V ~ 60 Hz | Largeur de labourage max. | 40,6 cm |
| Régime à vide..... | 370 tr/min ± 10 % | Profondeur de labourage max. | 20,3 cm |
| Poignée | Repliable (en 3 parties) | Poids net | 12 kg |

Déballage

Contenu de la caisse

- Caisson du rotoculteur-cultivateur électrique
 - Poignée supérieure
 - Poignée intermédiaire
 - Boutons et boulons de poignée (4)
 - Manuel et carte d'enregistrement
1. Retirez soigneusement le rotoculteur-cultivateur électrique de la caisse et inspectez-le pour vérifier que tous les éléments énumérés ci-dessus sont fournis.
 2. Inspectez soigneusement le contenu pour vous assurer qu'aucun élément n'a été brisé ou endommagé pendant le transport. Si vous constatez que des pièces manquent ou sont endommagées, NE PAS retourner l'outil au magasin. Veuillez appeler le service clientèle Snow Joe® + Sun Joe® au 1-866-SNOWJOE (1-866-766-9563).

REMARQUE : ne jetez pas la caisse d'expédition et l'emballage tant que vous n'êtes pas prêt à utiliser le rotoculteur-cultivateur électrique. L'emballage est fabriqué dans des matériaux recyclables. Éliminez ces matériaux de façon appropriée et conformément à la réglementation ou conservez l'emballage pour le remisage de longue durée de la machine.

IMPORTANT! Le matériel et l'emballage ne sont pas des jouets. Ne laissez pas les enfants jouer avec les sacs en plastique, les feuilles métalliques ou les petites pièces. Ces éléments peuvent être avalés et présentent un danger de suffocation!

Assemblage

⚠ AVERTISSEMENT! Ne pas brancher sur le secteur tant que le montage n'est pas terminé. Ne pas tenir compte de cet avertissement peut être à l'origine d'un démarrage accidentel et de graves blessures.

⚠ AVERTISSEMENT! Avant d'effectuer le moindre entretien, s'assurer que l'outil est débranché de la source d'alimentation électrique. Toute personne ne tenant pas compte de cet avertissement s'expose à de graves blessures.

⚠ AVERTISSEMENT! Pour éviter de se blesser gravement, avant d'inspecter, de nettoyer ou d'intervenir sur la machine, s'assurer que l'interrupteur est sur la position « OFF (O) » (Arrêt), que la machine est débranchée et que les lames sont complètement arrêtées.

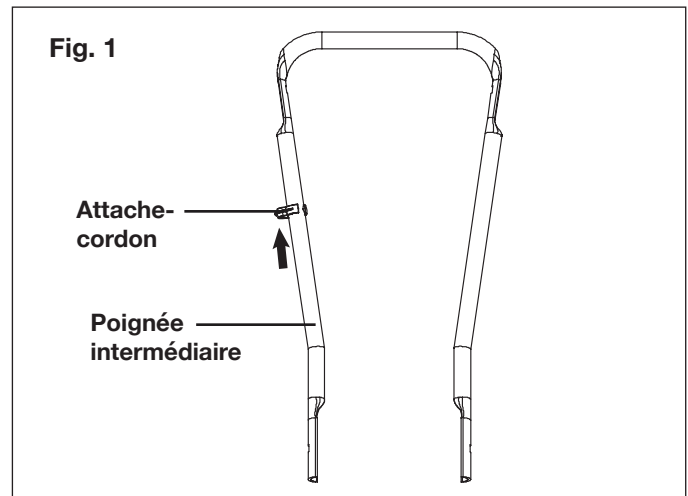
⚠ AVERTISSEMENT! La machine doit être complètement assemblée avant de pouvoir l'utiliser. Ne pas utiliser une machine qui n'est que partiellement assemblée ou assemblée avec des pièces endommagées.

Pour assembler facilement la machine, suivez pas à pas les instructions d'assemblage et utilisez les illustrations fournies comme aide visuelle.

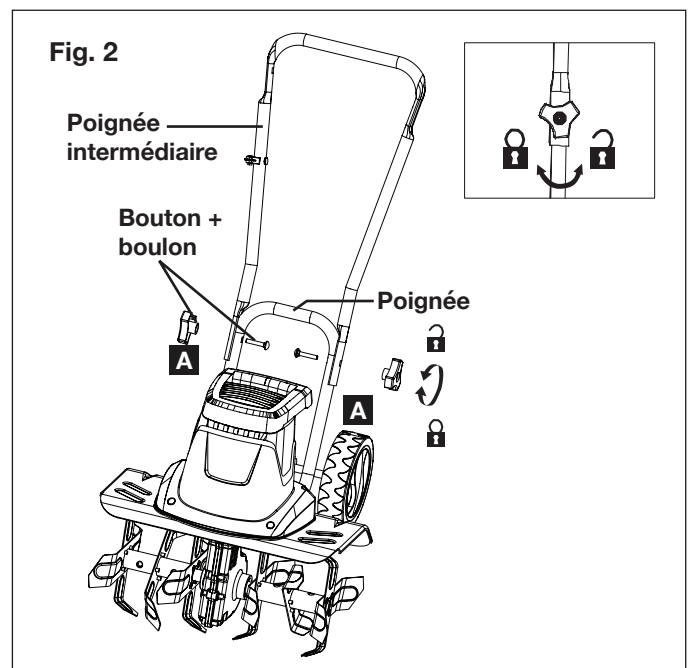
Raccordement des poignées

REMARQUE : les petites pièces peuvent se perdre facilement pendant l'assemblage ou en effectuant un réglage de la machine. Pour éviter ceci, rassemblez toutes les petites pièces que vous retirez de la machine et faites en sorte qu'elles soient toujours accessibles.

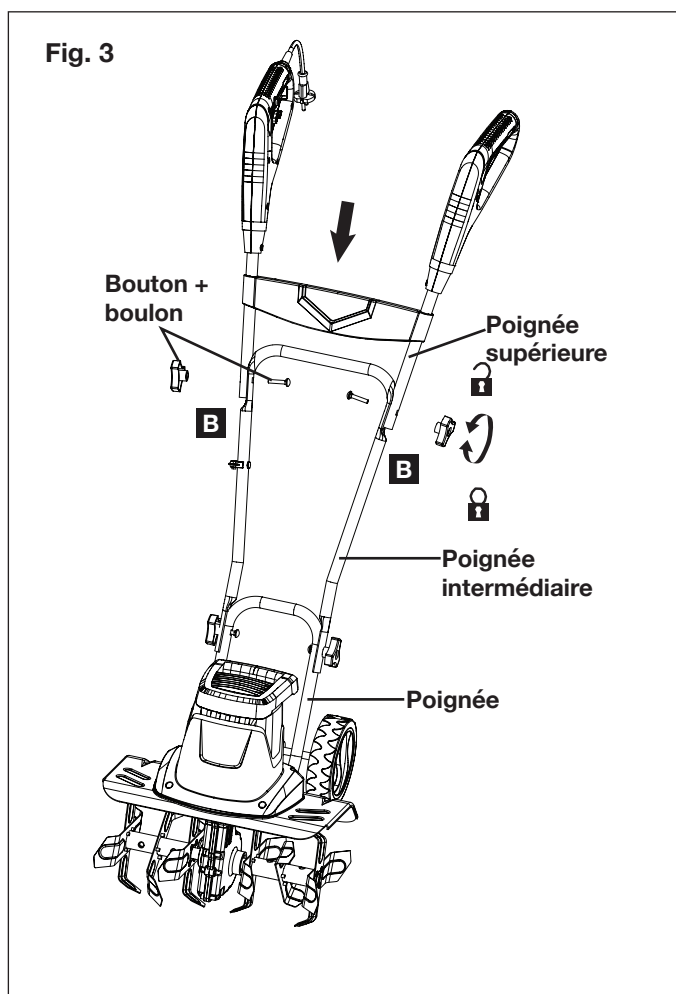
1. Attachez l'attache-cordon à la poignée intermédiaire (Fig. 1).



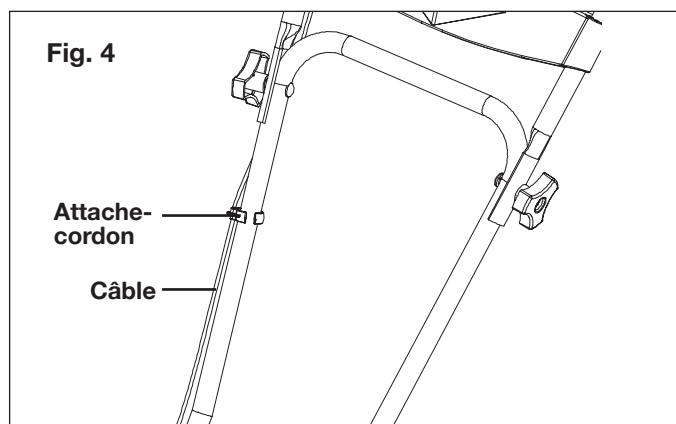
2. Retirez les boulons des boutons et gardez-les à portée de main.
3. Attachez la poignée intermédiaire à la poignée inférieure à l'aide du premier jeu de boutons et de boulons (A). Serrez les boutons de chaque côté pour bien attacher les poignées (Fig. 2).



- Raccordez la poignée supérieure à la poignée intermédiaire à l'aide du second jeu de boutons et de boulons (B). Serrez les boutons de chaque côté pour bien attacher les poignées (Fig. 3).



- Attachez le cordon en l'insérant dans l'attache-cordon (Fig. 4).



⚠ AVERTISSEMENT! Avant d'utiliser le rotoculteur-cultivateur électrique, s'assurer que tous les boutons de poignée sont correctement serrés.

Utilisation

Utilisation prévue

Le rotoculteur-cultivateur électrique TJ603E est conçu pour une consommation électrique nominale de 1 440 W.

Conçu pour les petits jardins et les massifs de fleurs, ce rotoculteur-cultivateur électrique aère la terre et la retourne. Il peut être également utilisé pour mélanger de la terre non labourée avec des engrais, de la tourbe ou du compost. Cette machine ne peut pas être utilisée pour labourer un sol extrêmement sec ou extrêmement humide.

L'utilisation de cette machine sous la pluie ou par forte humidité est absolument déconseillée.

Pour des raisons de sécurité, il est essentiel de lire en entier le manuel d'instructions avant la première utilisation et d'observer toutes les instructions contenues dans ce manuel.

Cette machine est uniquement destinée à une utilisation privée et domestique. Elle n'est pas destinée à une utilisation commerciale, quelle qu'elle soit. Elle ne doit pas être utilisée à d'autres fins que celles décrites ici.

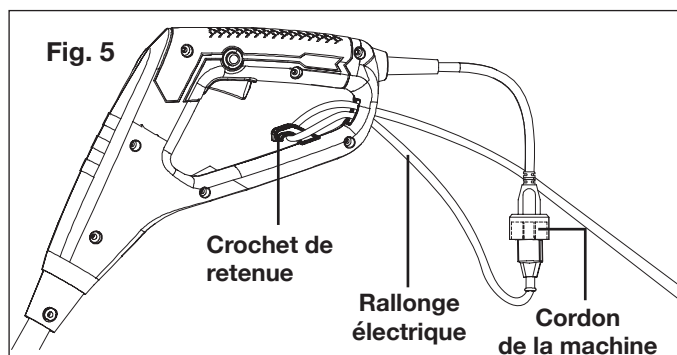
Branchement sur une source d'alimentation électrique

REMARQUE : pour des raisons de sécurité, cette machine est équipée d'un cordon d'alimentation de petite longueur. Ne branchez pas directement le rotoculteur-cultivateur électrique sur une source d'alimentation en utilisant ce cordon. Pour utiliser la machine, il est nécessaire de la brancher sur une rallonge électrique appropriée. Quand vous achetez une rallonge électrique, observez les spécifications techniques pour cette machine.

⚠ AVERTISSEMENT! Pour votre sécurité, il est nécessaire que la fiche attachée à ce rotoculteur-cultivateur électrique soit branchée dans une rallonge électrique homologuée. La rallonge électrique doit être prévue pour l'extérieur, toutes les prises étant protégées contre les éclaboussures d'eau. S'assurer que la rallonge électrique est de type et de calibre appropriés pour la machine ($\geq 1,5 \text{ mm}^2$). Toujours utiliser un dispositif différentiel à courant résiduel ou un disjoncteur différentiel à courant résiduel.

1. Branchez le rotoculteur-cultivateur électrique sur une prise 120 V à l'aide d'une rallonge électrique ultra-robuste pour l'extérieur, par exemple la rallonge électrique 15 m de calibre 14 Snow Joe® + Sun Joe® SJTW-A dont les extrémités s'éclairent quand elle est sous tension (modèle PJEXT50-B). Visitez le site sunjoe.com pour commander en ligne ou appelez le 1-866-SNOWJOE (1-866-766-9563) pour commander par téléphone.

2. Faites une boucle avec le cordon d'alimentation, poussez-la à travers le trou dans la poignée et faites-la passer autour du crochet de retenue (Fig. 5), puis branchez la rallonge électrique dans le cordon de la machine.



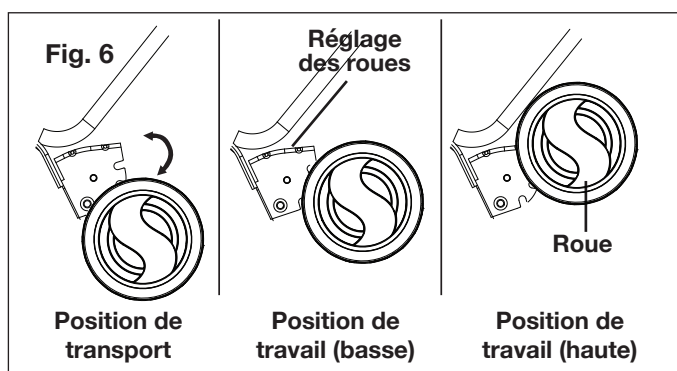
⚠️ AVERTISSEMENT! Vérifier la tension pour s'assurer qu'elle est conforme aux informations sur l'étiquette signalétique.

Réglage des roues

⚠️ AVERTISSEMENT! Avant de procéder à un réglage, quel qu'il soit, toujours mettre l'interrupteur sur la position d'arrêt et débrancher la machine.

Les roues peuvent se régler sur 3 positions différentes selon la profondeur de labourage souhaitée.

1. Tirez la roue et amenez-la sur la position souhaitée; lâchez la roue et assurez-vous qu'elle se mette en place en se verrouillant (Fig. 6). Vérifiez que les deux roues sont à la même hauteur.

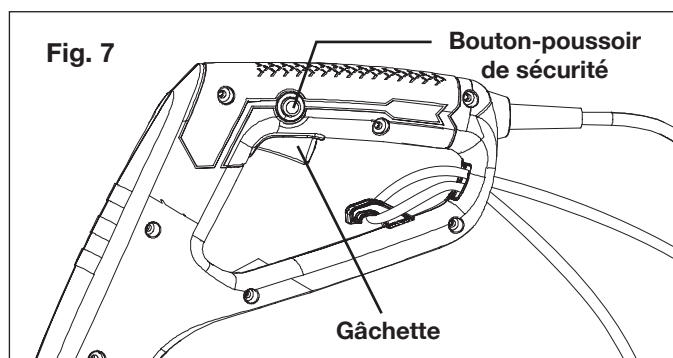


⚠️ AVERTISSEMENT! Toujours s'assurer que les roues sont bien attachées et verrouillées. Ne pas essayer d'utiliser le produit quand les roues ne sont pas en place et verrouillées.

Mise en route et arrêt

⚠️ AVERTISSEMENT! Les lames tournantes peuvent blesser gravement. Les lames continueront à tourner pendant quelques secondes après l'arrêt de la machine. Ne pas toucher les lames tournantes. Tout contact avec des composants chauds (p. ex., caisson moteur, boîte d'engrenages, etc.) de la machine peut causer des brûlures. Laisser la machine se refroidir avant de la manipuler.

1. Pour mettre en marche la machine, appuyez sur le bouton-poussoir de sécurité en le maintenant enfoncé à l'aide du pouce et pressez ensuite la gâchette avec les doigts. Une fois que l'outil a démarré, vous pouvez relâcher le bouton-poussoir de sécurité (Fig. 7).



2. Pour arrêter la machine, relâchez la gâchette (Fig. 7).

Conseils d'utilisation

- Avant chaque utilisation, inspectez la machine, son cordon d'alimentation et la fiche ainsi que tout autre accessoire pour vérifier qu'ils ne sont pas endommagés. N'utilisez pas la machine si elle est endommagée ou présente des signes d'usure.
- Faites une double inspection des accessoires pour vérifier qu'ils sont correctement attachés.
- Tenez toujours la machine par les poignées. Pour assurer une bonne prise en main, maintenez les poignées sèches.
- Assurez-vous que les ouvertures d'aération ne sont pas bouchées. Au besoin, nettoyez-les à l'aide d'une brosse souple. Des ouvertures d'aération bouchées peuvent faire surchauffer la machine et l'endommager.
- Arrêtez immédiatement la machine si vous êtes dérangé en plein travail par des personnes pénétrant dans la zone de travail. Avant de détourner votre attention, laissez la machine s'arrêter complètement.
- Ne vous forcez pas vous-même. Prenez des pauses régulières pour être certain de pouvoir vous concentrer sur la tâche en cours et d'avoir le contrôle total de la machine.

⚠️ AVERTISSEMENT! Dans certaines régions, les réglementations définissent les limites d'utilisation des machines de ce type, notamment les heures et les jours où leur utilisation est autorisée. Informez-vous de façon précise auprès de la communauté dans laquelle vous vivez et observez ces réglementations pour préserver le calme du voisinage et éviter de commettre des infractions.

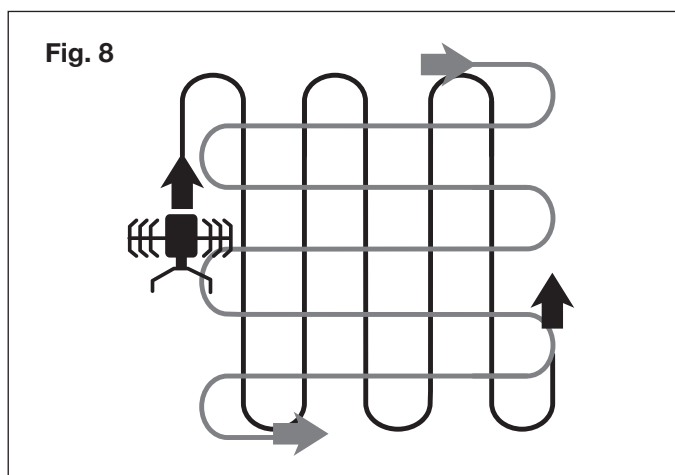
Labourage

- Assurez-vous que la zone de travail est débarrassée des pierres, des bouts de bois, des fils métalliques et de tout ce qui jonche le sol et qui pourrait endommager la machine ou son moteur.

- Ne labourez pas la terre très humide dans la mesure où elle a tendance à coller sur l'outil de travail en empêchant les lames de tourner correctement : ce qui pourrait vous faire glisser et tomber.
- Tenez toujours fermement la machine. Pour mieux vous guider, exercez une légère pression sur les poignées.

⚠️ AVERTISSEMENT! Ne pas placer les mains, les pieds, toute autre partie du corps ou les vêtements près des lames tournantes ou de toute autre pièce mobile. Les lames commencent à tourner vers l'avant une fois que la gâchette est relâchée. Les lames vont continuer de tourner jusqu'à ce que la gâchette soit relâchée. Tout contact avec les lames tournantes peut être à l'origine de graves blessures.

- N'essayez pas de labourer trop profondément ou de forcer la machine dans de la terre extrêmement dure ou résistante.
- Faites avancer la machine dans la terre à une allure normale et en suivant une ligne aussi droite que possible.
- Labourez des bandes de terre qui se chevauchent légèrement. Pour labourer le plus efficacement possible, suivez le tracé illustré Fig. 8. Démarrez en déplaçant le rotoculteur-cultivateur vers le haut et vers le bas en traçant des lignes verticales, puis travaillez horizontalement de gauche à droite. Ceci permettra d'avoir des rangées uniformes et d'être certain que le sol est labouré sans qu'un seul endroit ait été oublié.



- Faites particulièrement attention quand vous changez de direction. Exercez une légère pression sur le guidon pour lever les lames et faciliter les virages. Faites tourner la machine en utilisant les roues comme guide. Relâchez progressivement la pression sur le guidon et abaissez les lames sur le sol.

⚠️ AVERTISSEMENT! Arrêter le moteur si la machine heurte un corps étranger. Mettre l'interrupteur sur la position d'arrêt, débrancher la machine et la laisser se refroidir complètement. L'inspecter minutieusement pour vérifier si elle est endommagée et faire réparer le moindre dommage avant de la remettre en marche.

Une machine qui vibre trop pendant son utilisation montre qu'elle est endommagée. Arrêtez immédiatement le moteur et inspectez et réparez la machine sans délai.

Après utilisation

- Mettez l'interrupteur sur la position d'arrêt, débranchez la machine et laissez-la se refroidir complètement.
- Vérifiez, nettoyez et remisez le produit comme cela est décrit ci-dessous.

Soins et entretien

Les règles d'or de l'entretien

⚠️ AVERTISSEMENT! Toujours arrêter la machine, la débrancher de l'alimentation électrique et la laisser se refroidir complètement avant d'inspecter, de nettoyer ou d'effectuer toute autre tâche d'entretien.

- Maintenez la machine propre. Retirez tous les débris après chaque utilisation et avant remisage.
- Le nettoyage régulier et approprié de la machine augmentera la sécurité de son utilisation et prolongera sa durée de vie.
- Inspectez la machine avant chaque utilisation pour vérifier si des pièces sont usées ou endommagées. Si vous constatez que des pièces sont cassées ou usées, n'utilisez pas la machine

⚠️ AVERTISSEMENT! Effectuer uniquement les réparations et le travail d'entretien décrits dans ce manuel. Tout autre travail doit être effectué par un technicien qualifié.

Nettoyage général

- Nettoyez le produit à l'aide d'un chiffon propre. Utilisez une brosse pour les endroits difficiles d'accès.
- Assurez-vous de nettoyer les ouvertures d'aération après chaque utilisation, à l'aide d'un chiffon et d'une brosse.
- Éliminez la saleté rebelle à l'aide d'air haute pression (3 bars max.).

REMARQUE : n'utilisez pas de produits chimiques, de détergents alcalins, abrasifs ou corrosifs ou de désinfectants pour nettoyer cette machine, car ce type de produits peut endommager la surface de la machine.

- Vérifiez que les pièces ne sont ni usées ni endommagées. Avant de continuer à utiliser la machine, remplacez au besoin les pièces usées ou communiquez avec le service clientèle Snow Joe® + Sun Joe® en appelant le 1-866-SNOWJOE (1-866-766-9563).

Nettoyage du dessous de caisse et du mécanisme central

⚠️ AVERTISSEMENT! Porter des gants de sécurité pour travailler à proximité ou sur le mécanisme central. Utiliser au besoin des outils appropriés (p. ex., une pointe en bois); ne jamais utiliser les mains nues!

- Maintenez le dessous de caisse et les lames propres et exempts de tout débris. Utilisez une brosse ou un autre outil pour retirer la terre du mécanisme central.
- Les écrous et les boulons doivent tous être inspectés périodiquement pour vérifier leur serrage avant utilisation. Après une utilisation prolongée, spécialement dans un sol sableux, le mécanisme central sera usé et perdra une partie de sa forme originale. L'efficacité du labourage sera réduite et le mécanisme central devra être remplacé.
- Faites remplacer par un technicien qualifié les pièces usées ou endommagées en utilisant des pièces de même type.
- Pour prolonger la durée de vie du mécanisme central et de la machine, lubrifiez les lames après chaque utilisation.

Entretien

⚠️ AVERTISSEMENT! Les mouvements inattendus des lames peuvent occasionner des blessures. Avant d'entretenir, de réparer ou d'inspecter la machine, arrêter le moteur et débrancher la rallonge électrique. Attendre que les lames s'arrêtent complètement de tourner avant toute inspection ou toute opération de nettoyage ou d'entretien.

Avant et après chaque utilisation, inspectez la machine et ses accessoires pour vérifier qu'ils ne sont ni usés ni endommagés. Remplacez au besoin des pièces en utilisant uniquement des pièces de rechange qui sont homologuées par le fabricant.

⚠️ AVERTISSEMENT! Tout contact avec des composants chauds (p. ex., caisson moteur, boîte d'engrenages, etc.) de la machine peut causer des brûlures. Laisser la machine se refroidir avant de la manipuler.

IMPORTANT!

- Portez des gants de protection quand vous nettoyez la machine ou intervenez dessus.
- N'utilisez pas de liquides de nettoyage ou de solvants et ne pulvérisez pas d'eau sur la machine (spécialement de l'eau sous pression) quand vous nettoyez la machine.

REMARQUE : après chaque utilisation, suivez ces étapes pour nettoyer correctement la machine :

1. À l'aide d'une brosse ou d'un chiffon propre, retirez la terre, la saleté et le feuillage collés sur les lames, sur l'arbre d'entraînement, sur la surface de la machine et dans les ouvertures de ventilation.
2. Pulvérisez ou frottez de l'huile biodégradable sur les lames.

3. Nettoyez les poignées salies à l'aide d'un chiffon mouillé.

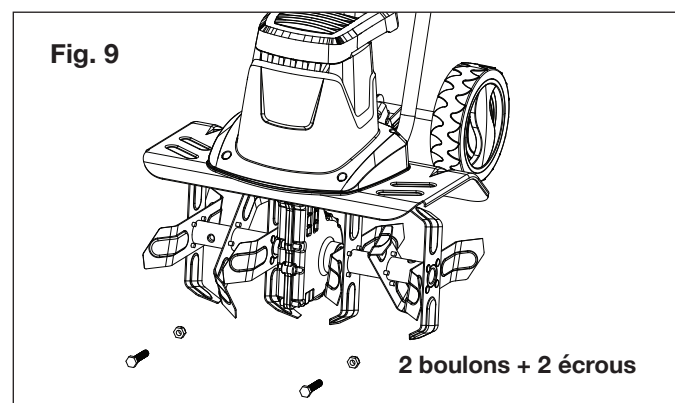
Après chaque utilisation, inspectez toujours la machine pour vérifier si des pièces sont endommagées ou usées. Vérifiez que les dispositifs de sécurité (c.-à-d., étiquettes, dispositifs de protection) sont en place. Vérifiez que les écrous, les boulons et les vis sont bien serrés.

Changement des lames

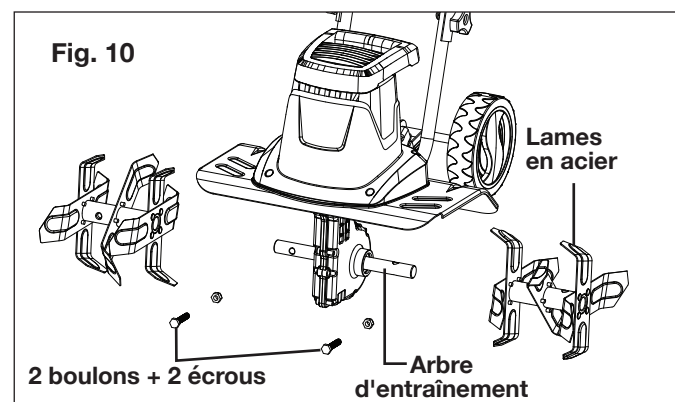
REMARQUE : la machine est équipée de six lames de labourage qui se changent facilement par paires. Les deux lames formant la paire peuvent s'ajuster indifféremment à droite ou à gauche. Changez toujours une paire de lames en même temps pour éviter que la machine soit déséquilibrée ou endommagée.

Pour remplacer les lames, suivez les étapes ci-dessous :

1. La machine reposant sur une surface plate et stable, arrêtez-la et retirez la fiche de la rallonge électrique.
2. Retirez les 2 boulons et les 2 écrous, puis retirez les lames en acier (Fig. 9).



3. Nettoyez l'arbre d'entraînement à l'aide d'huile biodégradable (Fig. 10).
4. Placez les nouvelles lames sur l'arbre de transmission de telle sorte que les trous sur les axes soient alignés avec les trous sur l'arbre de transmission (Fig. 10).
5. Insérez les 2 boulons à travers les trous et attachez-les à l'aide des 2 écrous (Fig. 10).



IMPORTANT : les lames doivent être disposées dans le bon sens de rotation. Notez le sens dans lequel les anciennes lames étaient disposées et posez les nouvelles de la même façon.

Cordon d'alimentation



Si le cordon d'alimentation est endommagé, il doit être remplacé pour éviter tout risque d'accident. Communiquez avec un revendeur Snow Joe® + Sun Joe® agréé ou appelez le service clientèle Snow Joe® + Sun Joe® au 1-866-SNOWJOE (1-866-766-9563).

Réparation

Cette machine ne contient aucune pièce pouvant être réparée par le client. Pour de l'aide, communiquez avec votre revendeur Snow Joe® + Sun Joe® agréé ou appelez le service clientèle Snow Joe® + Sun Joe® au 1-866-SNOWJOE (1-866-766-9563).

Remisage

- Examinez soigneusement le rotoculteur-cultivateur électrique pour vérifier qu'il n'y a pas de pièces usées, desserrées ou endommagées. Si vous devez faire réparer ou remplacer une pièce, communiquez avec votre revendeur Snow Joe® + Sun Joe® agréé ou le service clientèle Snow Joe® + Sun Joe® en appelant le 1-866-SNOWJOE (1-866-766-9563).
- Examinez minutieusement la rallonge électrique pour vérifier qu'elle ne présente aucun signe d'usure excessive ou d'endommagement. Si elle est usée ou endommagée, remplacez-la immédiatement.
- Débranchez la rallonge électrique du rotoculteur-cultivateur électrique avant de le remettre.
- Nettoyez la machine comme cela est décrit ci-dessus.
- Remisez la machine et ses accessoires dans un endroit sombre, sec, à l'abri du gel et bien ventilé.
- Remisez toujours la machine dans un endroit auquel les enfants n'ont pas accès.
- La température idéale de remisage se situe entre 10 °C et 30 °C.
- Pour la protéger contre la rouille, nous recommandons d'utiliser l'emballage d'origine pour remiser la machine ou de la recouvrir d'une couverture en tissu appropriée ou encore de l'enfermer.

Transport

- Mettez l'interrupteur sur la position d'arrêt et débranchez la machine de l'alimentation électrique. Assurez-vous que les roues sont en position de transport (voir Fig. 6, p. 9).
- Transportez toujours la machine par sa poignée de transport.

- Si vous transportez le rotoculteur-cultivateur dans un véhicule, accrochez-le solidement pour le protéger des chocs importants ou des fortes vibrations.
- Attachez la machine pour lui éviter de tomber ou de glisser.

Recyclage et élimination

La machine est livrée dans un emballage qui l'empêche d'être endommagée pendant son expédition. Conservez l'emballage jusqu'à ce que vous soyez sûr que toutes les pièces ont été expédiées et que la machine fonctionne correctement. Ensuite, recyclez l'emballage ou conservez-le pour le remisage de longue durée.

Symbole DEEE. Les déchets d'équipements électriques ne doivent pas être jetés avec les déchets ménagers. Veuillez les recycler dans les installations prévues à cet effet. Pour les réglementations de recyclage, communiquez avec les services publics locaux ou avec votre revendeur.

Service après-vente et assistance technique

Si votre rotoculteur-cultivateur électrique Sun Joe® TJ603E nécessite une réparation ou un entretien, veuillez appeler le service clientèle Snow Joe® + Sun Joe® au 1-866-SNOWJOE (1-866-766-9563).

Numéros de modèle et de série

Lorsque vous communiquez avec l'entreprise pour commander des pièces ou prendre rendez-vous pour une intervention technique chez un revendeur agréé, vous devez fournir les numéros de modèle et de série qui se trouvent sur l'étiquette autocollante apposée sur le carter de la machine. Copiez ces numéros dans l'espace réservé ci-dessous.

Veillez noter les numéros suivants sur le carter ou la poignée de votre nouvel outil :

N° de modèle :

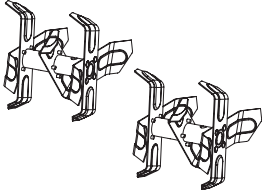
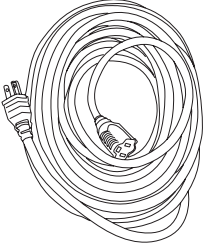
T | J | 6 | 0 | 3 | E | | | | | | | | | | | | | | | | | | | | | |

N° de série :

| | | | | | | | | | | | | | | | | | | | | | | | | | | |

Accessoires

⚠️ AVERTISSEMENT! TOUJOURS utiliser des pièces de rechange et des accessoires Snow Joe® + Sun Joe® homologués. NE JAMAIS utiliser des pièces ou des accessoires qui ne sont pas destinés à être utilisés avec ce rotoculteur-cultivateur électrique. Communiquez avec Snow Joe® + Sun Joe® si vous n'êtes pas sûr que l'utilisation d'une pièce de rechange ou d'un accessoire particulier avec votre rotoculteur-cultivateur électrique soit sans danger. L'utilisation de tout autre accessoire ou pièce détachée peut être dangereuse et pourrait provoquer des dommages corporels ou mécaniques.

| Accessoires | Description | Modèle |
|---|---|-----------|
| <p>①</p>  | Lames de rechange | TJ603E-2 |
| <p>②</p>  | Rallonge électrique 50 pieds de calibre 14 Snow Joe® + Sun Joe® SJTW-A avec extrémités éclairées sous tension | PJEXT50-B |

REMARQUE : les accessoires sont sous réserve de changements sans que Snow Joe® + Sun Joe® soit pour autant tenue de donner un préavis desdits changements. Les accessoires peuvent être commandés en ligne sur le site sunjoe.com ou par téléphone en communiquant avec le service clientèle Snow Joe® + Sun Joe® au 1-866-SNOWJOE (1-866-766-9563)



LA PROMESSE DE SNOW JOE® + SUN JOE® À SES CLIENTS

Vous êtes notre client et Snow Joe, LLC (« Snow Joe ») **SE MET EN QUATRE** pour vous servir. Nous nous efforçons de vous rendre l'utilisation de nos produits aussi plaisante que possible. Malheureusement, il peut arriver qu'un produit Snow Joe®, Sun Joe® ou Aqua Joe (« Produit ») ne fonctionne pas ou se casse dans des conditions d'utilisation normales. Nous pensons qu'il est important que vous sachiez ce que vous pouvez attendre de nous. C'est pourquoi nous avons une garantie limitée (« Garantie ») pour nos Produits.

NOTRE GARANTIE :

Snow Joe déclare et garantit que les Produits neufs, d'origine, électriques ou non électriques sont exempts de vices de matière ou de fabrication et, lorsqu'ils font l'objet d'une utilisation résidentielle et ménagère ordinaire, les garantit pendant une période de deux ans à compter de la date d'achat au détail par l'acheteur primitif auprès de Snow Joe ou d'un des revendeurs agréés de Snow Joe, preuve d'achat à l'appui. Étant donné que Snow Joe ne peut pas contrôler la qualité de ses Produits vendus par des revendeurs non agréés, sauf stipulation contraire de la loi, la présente Garantie ne couvre pas les Produits achetés auprès de vendeurs non agréés. Si votre Produit ne fonctionne pas ou si une pièce spécifique couverte par les modalités de la présente Garantie fait l'objet d'un problème quelconque, Snow Joe choisira (1) de vous envoyer une pièce de rechange gratuite, (2) de remplacer le Produit par un produit neuf ou comparable, gratuitement, ou (3) de réparer le Produit. Génial, n'est-ce pas?

La présente Garantie vous donne des droits judiciaires spécifiques, et vous pouvez également avoir d'autres droits qui peuvent varier d'une province ou d'un territoire à l'autre.

ENREGISTREMENT DU PRODUIT :

Snow Joe vous recommande vivement d'enregistrer votre Produit. Vous pouvez l'enregistrer en ligne sur le site snowjoe.com/register, ou en imprimant et en envoyant par courrier une carte d'enregistrement offerte en ligne sur notre site Web, ou par téléphone en appelant notre Service à la clientèle au **1-866-SNOWJOE (1-866-766-9563)**, ou encore en nous envoyant un courriel à l'adresse help@snowjoe.com. Le fait de ne pas enregistrer l'achat de votre Produit n'a aucune conséquence sur vos droits concernant la garantie. Toutefois, l'enregistrement de votre Produit permettra à Snow Joe de mieux répondre au moindre besoin que vous pourriez avoir en matière de service à la clientèle.

QUI PEUT REVENDIQUER LA COUVERTURE DE LA GARANTIE?

La présente Garantie est étendue par Snow Joe à l'acheteur et propriétaire primitif du Produit.

QU'EST-CE QUI N'EST PAS COUVERT?

La présente Garantie ne s'applique pas si le Produit a été utilisé commercialement, pour des travaux non résidentiels ou s'il fait l'objet d'une location. La présente Garantie ne s'applique pas non plus si le Produit a été acheté auprès d'un revendeur non agréé. La présente garantie ne couvre pas non plus les changements cosmétiques qui n'affectent pas le rendement. Les pièces d'usure comme les courroies, les tarières, les chaînes et les dents ne sont pas couvertes au titre de la présente Garantie et peuvent être achetées en ligne sur le site snowjoe.com ou en appelant le **1-866-SNOWJOE (1-866-766-9563)**.