

Operator's Manual

**CRAFTSMAN**

## 8-in. DRILL PRESS

1/3 HP MOTOR

Model 124.47747



**CAUTION:** Before using this product, read this manual and follow all its Safety Rules and Operating Instructions.

- Safety Instructions
- Assembly
- Operation
- Maintenance
- Troubleshooting
- Parts List
- Español 21

Sears Brands Management Corporation,  
Hoffman Estates, IL 60179 U.S.A

## TABLE OF CONTENTS

|                                    |         |
|------------------------------------|---------|
| Specifications.....                | 2       |
| Safety Instructions .....          | 3 - 6   |
| Getting To Know Your Machine ..... | 7       |
| Contents of Package .....          | 7 - 8   |
| Installation .....                 | 8       |
| Assembly .....                     | 9 - 10  |
| Adjustments.....                   | 11 - 12 |
| Operation.....                     | 13 - 14 |
| Maintenance .....                  | 15      |
| Electricals & Wiring Diagram ..... | 5 & 15  |
| Troubleshooting .....              | 16      |
| Notes .....                        | 17      |
| Parts Diagram & Parts List .....   | 18 - 19 |
| Warranty .....                     | 20      |
| Repair Protection Agreement .....  | 20      |
| Español .....                      | 21      |

## SPECIFICATIONS

|                              |                             |
|------------------------------|-----------------------------|
| Motor .....                  | 1/3 HP                      |
| Motor Speed (no load).....   | 1,720 RPM                   |
| Volts .....                  | 120 V                       |
| Amps, Hertz .....            | 2.3 A, 60 Hz                |
| Swing .....                  | 8"                          |
| Chuck Size .....             | 1/2" (13mm)                 |
| Chuck Taper .....            | JT33                        |
| Drilling Capacity .....      | 1/2" (1.5 - 13mm)           |
| Spindle Travel .....         | 2"                          |
| Spindle Taper .....          | JT33                        |
| Speeds .....                 | 5                           |
| Speed Range (RPM).....       | 740, 1100, 1530, 2100, 3140 |
| Quill Diameter .....         | 1-9/16" (40mm)              |
| Table Size .....             | 6-1/2" x 6-1/2"             |
| Table Tilts .....            | 45°                         |
| Table Rotates .....          | 360°                        |
| Maximum Chuck to Table ..... | 7"                          |
| Maximum Chuck to Base .....  | 10-1/2"                     |
| Column Diameter .....        | 1-13/16" (46mm)             |
| Height .....                 | 23-1/8"                     |
| Base Size .....              | 11" x 7"                    |
| Net Weight .....             | 34.2 lbs.                   |

**NOTE:** The specifications, photographs, drawings and information in this manual represent the current model when the manual was prepared. Changes and improvements may be made at any time, with no obligation on the part of Sears Brands, LLC. to modify previously delivered units. Reasonable care has been taken to ensure that the information in this manual is correct, to provide you with the guidelines for the proper safety, assembly and operation of this machine.

# SAFETY INSTRUCTIONS

**IMPORTANT!** Safety is the single most important consideration in the operation of this equipment. **The following instructions must be followed at all times.** Failure to follow all instructions listed below may result in electric shock, fire, and/or serious personal injury.

There are certain applications for which this tool was designed. We strongly recommend that this tool not be modified and/or used for any other application other than that for which it was designed. If you have any questions about its application, do not use the tool until you have contacted us and we have advised you.

## SAFETY SYMBOLS



**SAFETY ALERT SYMBOL:** Indicates DANGER, WARNING, or CAUTION. This symbol may be used in conjunction with other symbols or pictographs.



Indicates an imminently hazardous situation, which, if not avoided, could result in death or serious injury.



Indicates a potentially hazardous situation, which, if not avoided, could result in death or serious injury.



Indicates a potentially hazardous situation, which, if not avoided, could result in minor or moderate injury.

**NOTICE:** Shown without Safety Alert Symbol indicates a situation that may result in property damage.

## GENERAL SAFETY

**KNOW YOUR POWER TOOL.** Read the owner's manual carefully. Learn the tool's applications, work capabilities, and its specific potential hazards.

### BEFORE USING YOUR MACHINE

To avoid serious injury and damage to the tool, read and follow all of the Safety and Operating Instructions before operating the machine.

1. Some dust created by using power tools contains chemicals known to the State of California to cause cancer, birth defects, or other reproductive harm.

Some examples of these chemicals are:

- Lead from lead-based paints.
- Crystalline silica from bricks, cement, and other masonry products.
- Arsenic and chromium from chemically treated lumber.

Your risk from these exposures varies, depending on how often you do this type of work. To reduce your exposure to these chemicals: work in a well ventilated area and work with approved safety equipment, such as those dust masks that are specially designed to filter out microscopic particles.

2. **READ** the entire Owner's Manual. **LEARN** how to use the tool for its intended applications.

3. **GROUND ALL TOOLS.** If the tool is supplied with a 3 prong plug, it must be plugged into a 3-contact electrical receptacle. The 3rd prong is used to ground the tool and provide protection against accidental electric shock. **DO NOT** remove the 3rd prong. See Grounding Instructions on the following pages.

4. **AVOID A DANGEROUS WORKING ENVIRONMENT.** **DO NOT** use electrical tools in a damp environment or expose them to rain.

5. **DO NOT** use electrical tools in the presence of flammable liquids or gasses.

6. **ALWAYS** keep the work area clean, well lit, and organized. **DO NOT** work in an environment with floor surfaces that are slippery from debris, grease, and wax.

7. **KEEP VISITORS AND CHILDREN AWAY. DO NOT** permit people to be in the immediate work area, especially when the electrical tool is operating.

8. **DO NOT FORCE THE TOOL** to perform an operation for which it was not designed. It will do a safer and higher quality job by only performing operations for which the tool was intended.

9. **WEAR PROPER CLOTHING. DO NOT** wear loose clothing, gloves, neckties, or jewelry. These items can get caught in the machine during operations and pull the operator into the moving parts. The user must wear a protective cover on their hair, if the hair is long, to prevent it from contacting any moving parts.

10. **CHILDPROOF THE WORKSHOP AREA** by removing switch keys, unplugging tools from the electrical receptacles, and using padlocks.

11. **ALWAYS UNPLUG THE TOOL FROM THE ELECTRICAL RECEPTACLE** when making adjustments, changing parts or performing any maintenance.

# SAFETY INSTRUCTIONS

**12. KEEP PROTECTIVE GUARDS IN PLACE AND IN WORKING ORDER.**

**13. AVOID ACCIDENTAL STARTING.** Make sure that the power switch is in the “OFF” position before plugging in the power cord to the electrical receptacle.

**14. REMOVE ALL MAINTENANCE TOOLS** from the immediate area prior to turning “ON” the machine.

**15. USE ONLY RECOMMENDED ACCESSORIES.** Use of incorrect or improper accessories could cause serious injury to the operator and cause damage to the tool. If in doubt, check the instruction manual that comes with that particular accessory.

**16. NEVER LEAVE A RUNNING TOOL UNATTENDED.** Turn the power switch to the “OFF” position. **DO NOT** leave the tool until it has come to a complete stop.

**17. DO NOT STAND ON A TOOL.** Serious injury could result if the tool tips over, or you accidentally contact the tool.

**18. DO NOT** store anything above or near the tool where anyone might try to stand on the tool to reach it.

**19. MAINTAIN YOUR BALANCE. DO NOT** extend yourself over the tool. Wear oil resistant rubber soled shoes. Keep floor clear of debris, grease, and wax.

**20. MAINTAIN TOOLS WITH CARE.** Always keep tools clean and in good working order. Keep all blades and tool bits sharp, dress grinding wheels and change other abrasive accessories when worn.

**21. EACH AND EVERY TIME, CHECK FOR DAMAGED PARTS PRIOR TO USING THE TOOL.** Carefully check all guards to see that they operate properly, are not damaged, and perform their intended functions. Check for alignment, binding or breaking of moving parts. A guard or other part that is damaged should be immediately repaired or replaced.

**22. DO NOT OPERATE TOOL WHILE TIRED, OR UNDER THE INFLUENCE OF DRUGS, MEDICATION OR ALCOHOL.**

**23. SECURE ALL WORK.** Use clamps or jigs to secure the work piece. This is safer than attempting to hold the work piece with your hands.

**24. STAY ALERT, WATCH WHAT YOU ARE DOING, AND USE COMMON SENSE WHEN OPERATING A POWER TOOL.**

A moment of inattention while operating power tools may result in serious personal injury.

**25. ALWAYS WEAR A DUST MASK TO PREVENT INHALING DANGEROUS DUST OR AIRBORNE PARTICLES,** including wood dust, crystalline silica dust and asbestos dust. Direct particles away from face and body. Always operate tool in well ventilated area and provide for proper dust removal. Use dust collection system wherever possible. Exposure to the dust may cause serious and permanent respiratory or other injury, including silicosis (a serious lung disease), cancer, and death. Avoid breathing the dust, and avoid prolonged contact with dust. Allowing dust to get into your mouth or eyes, or lay on your skin may promote absorption of harmful material. Always use properly fitting NIOSH/OSHA approved respiratory protection appropriate for the dust exposure, and wash exposed areas with soap and water.

**26. USE A PROPER EXTENSION CORD IN GOOD CONDITION.** When using an extension cord, be sure to use one heavy enough to carry the current your product will draw. The table on the following page shows the correct size to use depending on cord length and nameplate amperage rating. If in doubt, use the next heavier gauge. The smaller the gauge number, the larger diameter of the extension cord. If in doubt of the proper size of an extension cord, use a shorter and thicker cord. An undersized cord will cause a drop in line voltage resulting in a loss of power and overheating.  
**USE ONLY A 3-WIRE EXTENSION CORD THAT HAS A 3-PRONG GROUNDING PLUG AND A 3-POLE RECEPTACLE THAT ACCEPTS THE TOOL’S PLUG.**

**27. ADDITIONAL INFORMATION** regarding the safe and proper operation of this product is available from:

- Power Tool Institute  
1300 Summer Avenue  
Cleveland, OH 44115-2851  
[www.powertoolinstitute.org](http://www.powertoolinstitute.org)
- National Safety Council  
1121 Spring Lake Drive  
Itasca, IL 60143-3201  
[www.nsc.org](http://www.nsc.org)
- American National Standards Institute  
25 West 43rd Street, 4th Floor  
New York, NY 10036  
[www.ansi.org](http://www.ansi.org)
- ANSI 01.1 Safety Requirements for Woodworking Machines and the U.S. Department of Labor regulations  
[www.osha.gov](http://www.osha.gov)

**28. SAVE THESE INSTRUCTIONS.** Refer to them frequently and use them to instruct others.

# SAFETY INSTRUCTIONS

## ELECTRICAL SAFETY

**⚠ WARNING:** THIS 120V TOOL MUST BE GROUND-ED WHILE IN USE TO PROTECT THE OPERATOR FROM ELECTRIC SHOCK.

**IN THE EVENT OF A MALFUNCTION OR BREAKDOWN,** grounding provides the path of least resistance for electric current and reduces the risk of electric shock. This tool is equipped with an electric cord that has an equipment grounding conductor and requires a grounding plug (not included). The plug **MUST** be plugged into a matching electrical receptacle that is properly installed and grounded in accordance with **ALL** local codes and ordinances.

**DO NOT MODIFY ANY PLUG.** If it will not fit the electrical receptacle, have the proper electrical receptacle installed by a qualified electrician.

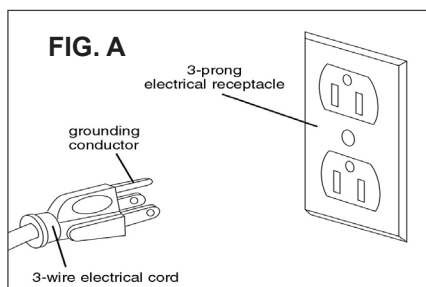
**IMPROPER ELECTRICAL CONNECTION** of the equipment grounding conductor can result in risk of electric shock. The conductor with the green insulation (with or without yellow stripes) is the equipment grounding conductor. **DO NOT** connect the equipment grounding conductor to a live terminal if repair or replacement of the electric cord or plug is necessary.

**CHECK** with a qualified electrician or service personnel if you do not completely understand the grounding instructions, or if you are not sure the tool is properly grounded when installing or replacing a plug.

**USE ONLY A 3-WIRE EXTENSION CORD THAT HAS THE PROPER TYPE OF A 3-PRONG GROUNDING PLUG THAT MATCHES THE MACHINE'S 3-PRONG PLUG AND ALSO THE 3-POLE RECEPTACLE THAT ACCEPTS THE TOOL'S PLUG. \***

**REPLACE A DAMAGED OR WORN CORD IMMEDIATELY.**

This 120V tool is intended for use on a circuit that has an electrical receptacle as shown in **FIGURE A**. It shows a 3-wire electrical plug and electrical receptacle that has a grounding conductor. If a properly grounded electrical receptacle is not available, an adapter as shown in **FIGURE B** can be used to temporarily connect this plug to a 2-contact ungrounded receptacle. The adapter has a rigid lug extending from it that **MUST** be connected to a permanent earth ground, such as a properly grounded receptacle box. **THIS ADAPTER IS PROHIBITED IN CANADA.**



## EXTENSION CORDS

**⚠ WARNING:** THE USE OF AN EXTENSION CORD WITH THIS MACHINE IS NOT RECOMMENDED. For best power and safety, plug the machine directly into a dedicated, grounded electrical outlet that is within the supplied cord length of the machine.

If an extension cord needs to be used, it should only be for a limited operation of the machine. The extension cord should be as short as possible in length, and have a minimum gauge size of 14AWG.

**⚠ WARNING:** Check extension cords before each use. If damaged replace immediately. Never use a tool with a damaged cord, since touching the damaged area could cause electrical shock, resulting in serious injury.

Use a proper extension cord. Only use cords listed by Underwriters Laboratories (UL). Other extension cords can cause a drop in line voltage, resulting in a loss of power and overheating of tool. When operating a power tool outdoors, use an outdoor extension cord marked "W-A" or "W". These cords are rated for outdoor use and reduce the risk of electric shock.

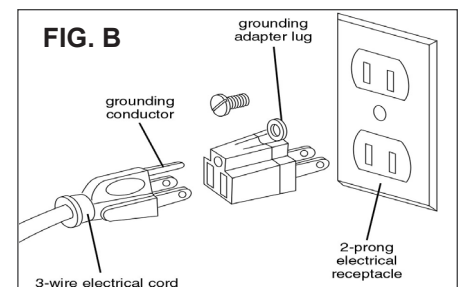
### MINIMUM RECOMMENDED GAUGE FOR EXTENSION CORDS (AWG)

| 120 VOLT OPERATION ONLY |          |          |           |           |
|-------------------------|----------|----------|-----------|-----------|
|                         | 25' LONG | 50' LONG | 100' LONG | 150' LONG |
| 0 to 6 Amps             | 18 AWG   | 16 AWG   | 16 AWG    | 14 AWG    |
| 6 to 10 Amps            | 18 AWG   | 16 AWG   | 14 AWG    | 12 AWG    |
| 10 to 12 Amps           | 16 AWG   | 16 AWG   | 14 AWG    | 12 AWG    |

**⚠ WARNING:** Keep the extension cord clear of the working area. Position the cord so that it will not get caught on lumber, tools or other obstructions while you are working with your power tool.

\* Canadian electrical codes require extension cords to be certified SJT type or better.

\*\* The use of an adapter in Canada is not acceptable.



# SAFETY INSTRUCTIONS

## SPECIFIC SAFETY INSTRUCTIONS FOR DRILL PRESSES

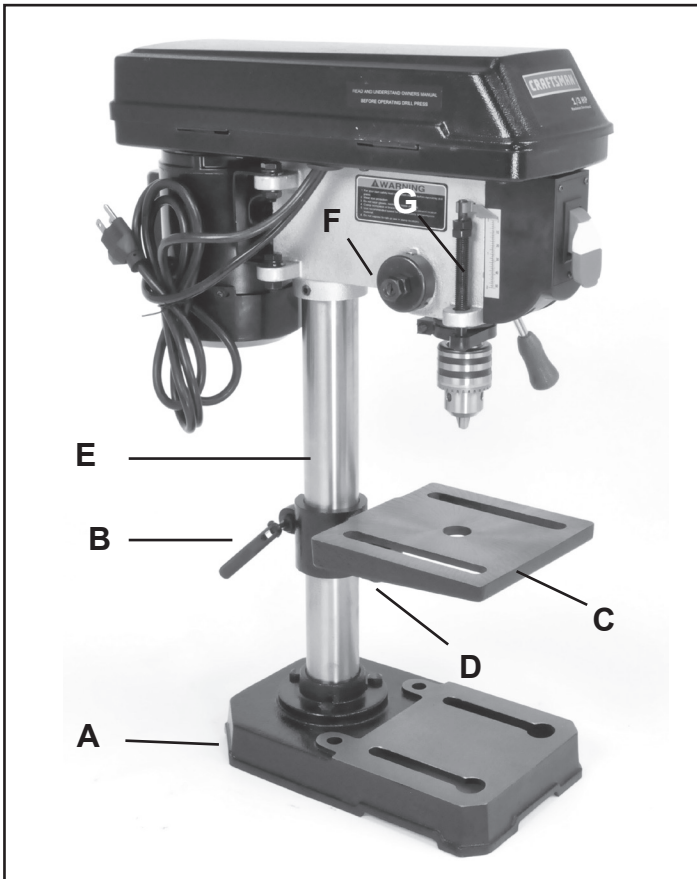
This machine is intended for the drilling of solid woods, composites, plastics and metals. The permissible workpiece dimensions must be observed (see Technical Specification). Any other use not as specified, including modification of the machine or use of parts not tested and approved by the equipment manufacturer can cause unforeseen damage and invalidate the warranty.

**ATTENTION:** Use of this machine still presents risks that cannot be eliminated by the manufacturer. Therefore, the user must be aware that wood working machines are dangerous if not used with care and all safety precautions are adhered to.

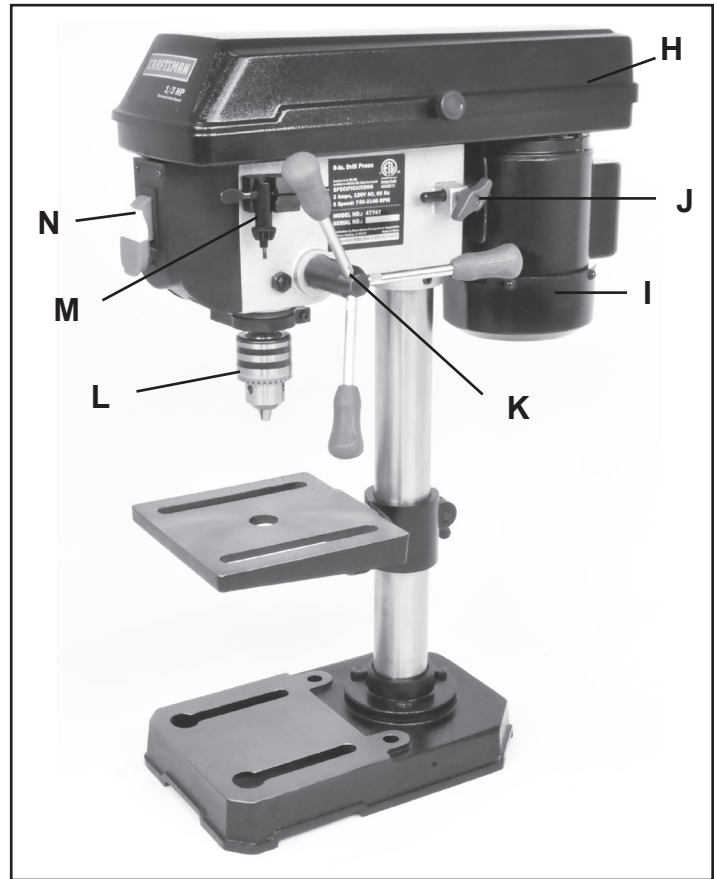
1. Do Not operate the Drill Press until it is assembled and you have read the instructions.
2. Do not operate the Drill Press unless you are familiar with its safe operation.  
If you are not familiar with the operation of a Drill Press, seek advice from a qualified individual.
3. If you are using a bench top Drill Press, it must be securely fastened to a stand or bench.
4. If you are operating a floor Drill Press it must be securely fastened to the floor.
5. Always clear the table and work area before turning on the Drill Press.
6. Always use drill bits, cutting tools and accessories with a 1/2" shank or less.
7. Never place hands near the drill bit, cutting tool or accessory.
8. Never wear loose clothing, gloves or ties while operating the Drill Press. Tie loose hair back.
9. Always have a firm footing while operating the Drill Press.
10. Always keep work surface and work areas clear of debris.
11. Never attempt to do set-up work, assembly or layout work on the Drill Press while it is in operation.
12. Never start the Drill Press with the drill bit, cutting tool or accessory in contact with the workpiece.
13. Always lock all table, column and head locks before turning on the Drill Press.
14. Never operate the Drill Press with a damaged drill bit, cutting tool or accessory.
15. Always check the drill bit, cutting tool or accessory in tight in the chuck.
16. Never operate the Drill Press with the chuck key in the chuck.
17. Always adjust the depth stop to avoid drilling into the table surface.
18. Never drill material unless it is properly supported. Non-flat workpieces require additional support.
19. Always clamp the workpiece to the table.
20. Always support large workpieces at the same height as the table.
21. Never remove the workpiece or clear the table until the Drill Press comes to a complete stop.
22. Always wear a face shield and safety glasses while operating the Drill Press.
23. Never operate the Drill Press with missing, damaged, worn, loose or defective parts.
24. Never adjust, change speeds or perform maintenance on the Drill Press while it is operating.
25. Always clean the work surface and work area when finished operating the Drill Press.
26. Always disconnect the power when adjusting or performing maintenance on the Drill Press.
27. Always disconnect the power when finished using the Drill Press to prevent accidental operation.

**CALIFORNIA PROPOSITION 65 WARNING:** Some dust created by power sanding, sawing, grinding, drilling, and other construction activities contains chemicals known to the State of California to cause cancer and birth defects or other reproductive harm. Your risk from exposure to these chemicals varies, depending on how often you do this type of work. To reduce your exposure, work in a well-ventilated area and with approved safety equipment, such as dust masks that are specially designed to filter out microscopic particles.

## GETTING TO KNOW YOUR MACHINE



- A. Base
- B. Table Lock Handle
- C. Table
- D. Table Tilt Locking Screw
- E. Column Support Tube
- F. Handle Return Spring
- G. Depth Stop



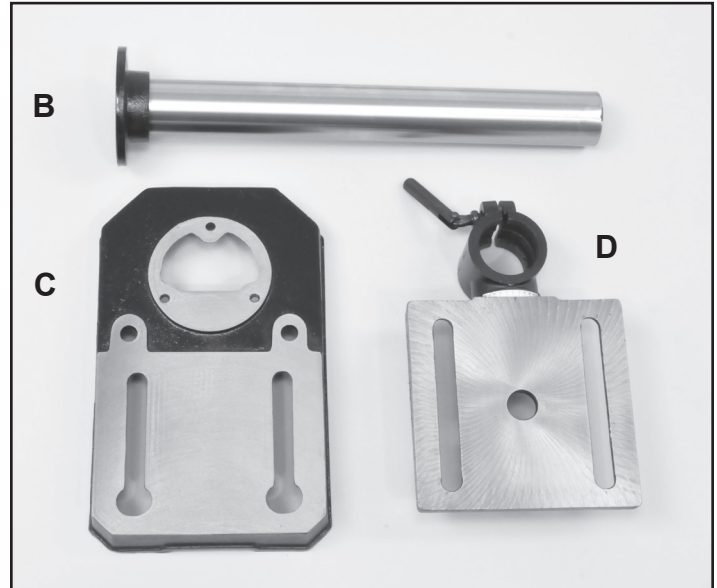
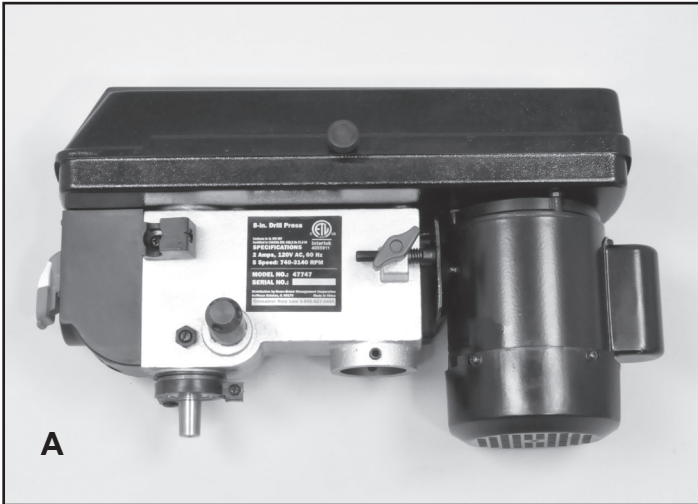
- H. Belt Cover
- I. Motor
- J. Motor/Belt Adjusting Knob
- K. Feed Handles
- L. Chuck
- M. Chuck Key & Holder
- N. On/Off Safety Switch

## CONTENTS OF PACKAGE

### Unpacking and Clean-up

1. Carefully remove all contents from the shipping carton. Compare the contents with the list of contents to make sure that all of the items are accounted for, before discarding any packing material. Place parts on a protected surface for easy identification and assembly. If any parts are missing or broken, please call Craftsman Customer Service or Technical Assistance at 877-866-8392 (M-F 8:30AM-5PM EST.) as soon as possible for replacements. DO NOT turn your machine ON if any of these items are missing. You may cause injury to yourself or damage to the machine.
2. Report any shipping damage to your local distributor.
3. Clean all rust protected surfaces with ordinary house hold type grease or spot remover. Do not use; gasoline, paint thinner, mineral spirits, etc. These may damage painted surfaces.
4. Apply a coat of paste wax to the table to prevent rust. Wipe all parts thoroughly with a clean dry cloth.
5. Set packing material and shipping carton aside. Do not discard until the machine has been set up and is running properly.

## CONTENTS OF PACKAGE



### LIST OF LOOSE PARTS

- A. Drill Press Head Assembly
- B. Column Assembly
- C. Base
- D. Table Assembly
- E. Feed Handles (3)
- F. 1/2" Chuck
- G. Chuck Key
- H. Column Mounting Bolts (3)
- I. 4mm Hex Wrench
- J. Operator's Manual (not shown)

## INSTALLATION

### MOVING & INSTALLING THE DRILL PRESS

1. When moving the Drill Press, hold both the column and under the drill press base to lift and move the machine. **CAUTION:** The drill press head with attached motor is top heavy and must remain upright to avoid tipping.
2. Secure the machine onto a solid stand, or bench, that is located in an area that has ample space in front and at both sides for working and moving work pieces around the drill press.
3. For best power and safety, the machine should be plugged directly into a dedicated grounded electrical outlet that is within the

supplied cord length of the machine. The use of an extension cord is not recommended.

4. Align the machine so that during use, any projects, debris or kickback will not face aisles, doorways, or other work areas that bystanders may be in. Do not locate or use the machine in damp or wet conditions.
5. Once in place in your shop, make sure that the machine is level. Secure the machine to a bench or stand, with lag screws or bolts (not supplied). This will eliminate any tipping over of the drill press, and reduce any possible vibration during use.



# ASSEMBLY



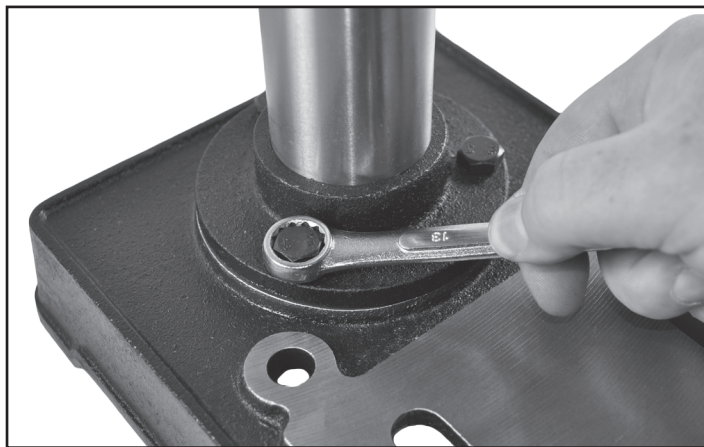
**WARNING**

**THE MACHINE MUST NOT BE PLUGGED IN AND THE POWER SWITCH MUST BE IN THE 'OFF' POSITION UNTIL ASSEMBLY IS COMPLETE.**

## Tools Required for Assembly

- Adjustable or 13mm Wrench
- Rubber Mallet or Hammer with Block of Wood

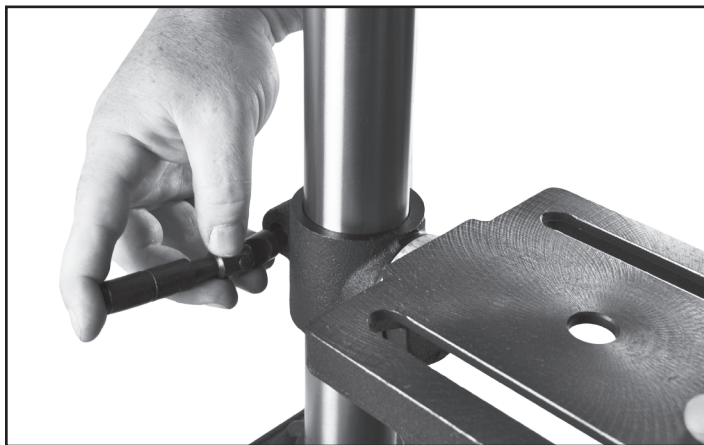
1. Install the column onto the base using the three column mounting bolts. FIG. 1.



**FIG. 1**

2. If not pre-installed at the factory, install the table lock handle through the unthreaded hole on the left of the table support casting. The handle should engage the thread on the right side of the table support casting. FIG. 2.

NOTE: When loosening the table lock handle, be sure to hold the table in place with your other hand. This will prevent the table from slipping down the column which may damage the table or your workpiece.



**FIG. 2**

3. Slide the drill press head onto the column and center the drill press head over the table and base. FIG. 3.



**FIG. 3**

Parts Diagram and Parts List  
are listed on pages 18 and 19.

Replacement parts can be ordered by calling  
1-888-331-4569  
[www.sears.com](http://www.sears.com)

## ASSEMBLY

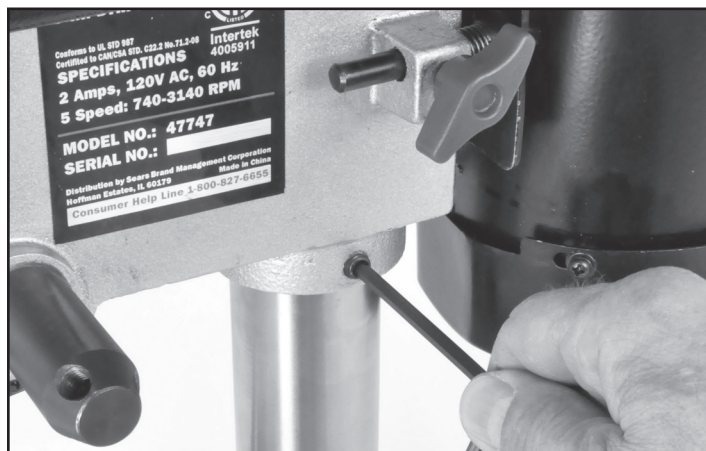


**WARNING**

**THE MACHINE MUST NOT BE PLUGGED IN AND THE POWER SWITCH MUST BE IN THE 'OFF' POSITION UNTIL ASSEMBLY IS COMPLETE.**

4. Tighten the drill press head into position on the column by locking the hex screws on both sides of the casting. FIG. 4.

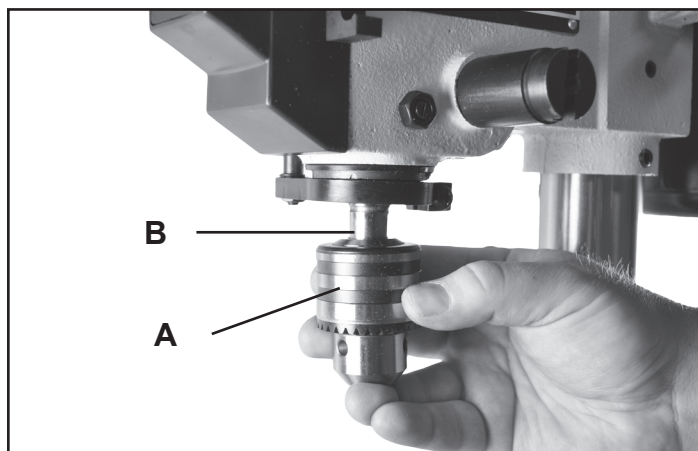
**NOTE:** It is important that the chuck mounting hole and spindle are free of any grease or rust protection before they are installed together in step 5. Use ordinary household grease remover to clean these mating surfaces.



**FIG. 4**

5. Slide the 1/2" chuck (FIG. 5, A) over the pre-installed spindle (B). Open the chuck jaws fully and tap into place using a rubber mallet or a hammer and block of wood. This will properly seat the chuck onto the spindle.

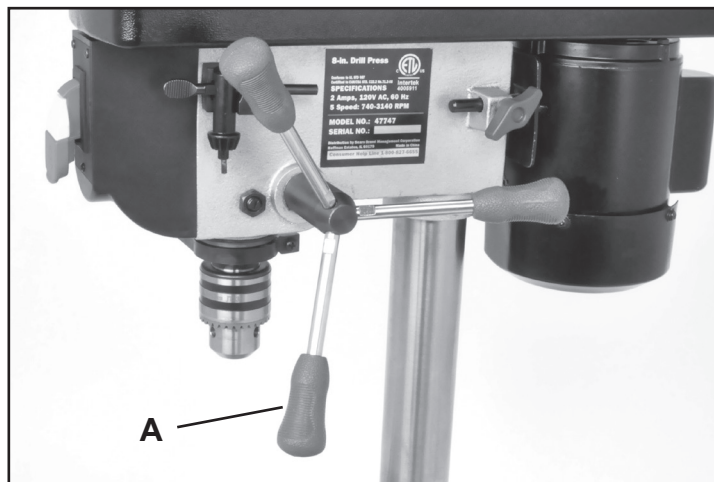
**NOTE: NEVER HIT THE CHUCK ASSEMBLY WITH A METAL HAMMER. This could damage the chuck assembly or spindle.**



**FIG. 5**

6. Install the three feed handles into the threaded holes in the feed shaft's hub. FIG. 6, A.

**NOTE:** When using the drill press, one or two of the feed handles may be removed if an unusually shaped workpiece interferes with handle rotation. Upon completion of your drilling, the removed handle(s) must be reinstalled on the machine immediately to avoid any future safety issues.



**FIG. 6**

# ADJUSTMENTS

7. **DEPTH STOP:** The depth stop and scale are found on the left side of the on/off switch. To adjust, lower the drill chuck until the pointer shows your desired depth on the scale. Loosen the lower nut on the threaded shaft (FIG. 7, A) until it bottoms out on the head casting (B). Tighten the upper nut against the lower nut to retain the adjustment.

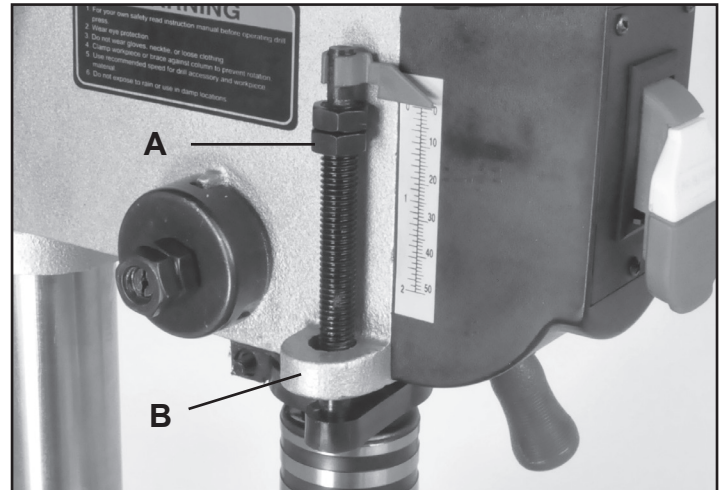


FIG. 7

8. **TABLE TILT:** The drill press table will tilt 0-45 degrees left and right. To tilt, loosen the nut located under the table (FIG. 8, A). Align the “zero” mark on the table (FIG. 9, B) to the desired degree marking on the scale. Tighten the nut under the table to retain the adjustment.

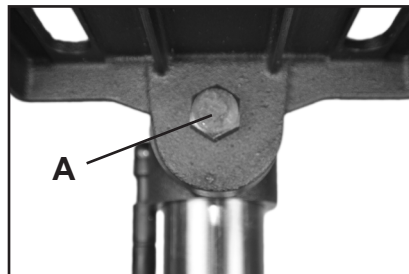


FIG. 8

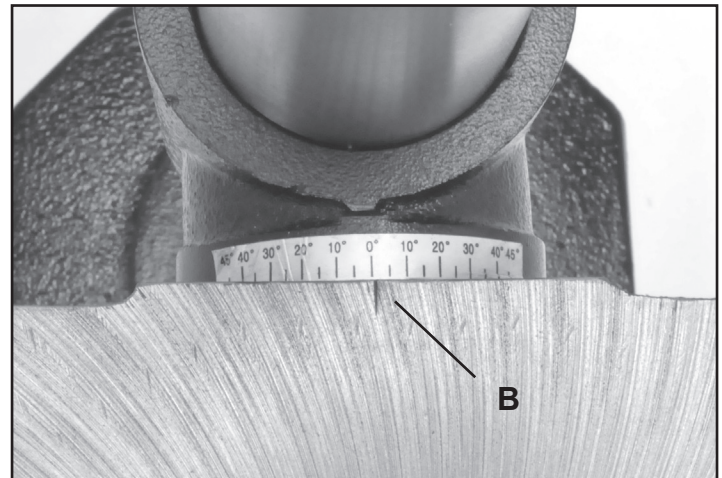


FIG. 9

9. **SPINDLE SPRING TENSION:** The spindle return spring tension may need adjustment if the spindle returns too rapidly or too slowly.

- A. Place a screwdriver in the lower front notch (1) of the spring cap (2). Hold it in place while loosening and removing only the outer nut (3).
- B. With the screwdriver still engaged in the notch, loosen the inner nut (4) just until the notch (5) disengages from the boss (6) on the drill press head.

**CAUTION:** DO NOT REMOVE THIS INNER NUT (4), because the spring will forcibly unwind.

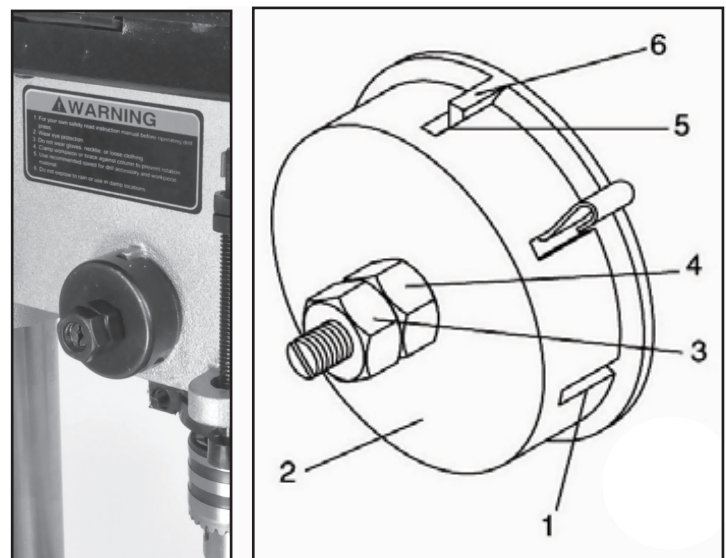


FIG. 10

# ADJUSTMENTS

## 9. SPINDLE SPRING TENSION - continued

- C. Carefully turn the spring cap (2) counterclockwise with the screwdriver, engaging the next notch. FIG. 10.
- D. Lower the spindle to the lowest position while holding the spring cap (2) in position.
- E. When the spindle moves up and down as easily as you desire, tighten the inner nut

(4) with a wrench. If too loose, repeat steps 2 through 4 to tighten. If too tight, reverse steps 3 and 4. **DO NOT OVERTIGHTEN** as this will restrict the spindle movement.

- F. Replace the outer nut (3) and tighten it against the inner nut (4) to prevent the inner nut from reversing.

**⚠ WARNING** THE MACHINE MUST NOT BE PLUGGED IN AND THE POWER SWITCH MUST BE IN THE OFF POSITION UNTIL ALL ADJUSTMENTS ARE COMPLETE.



FIG. 11

## 10. CHANGING SPINDLE SPEED: The 47747 Bench Drill Press has five spindle speeds. To change;

- A. Lift the cover with the handle to reveal the motor and spindle pulleys, and drive belt. FIG. 11.
- B. Loosen the motor lock knob (FIG. 12, A), then move the motor (B) manually toward the feed handle to take tension off of the belt.
- C. Move the drive belt to the desired speed position - refer to speed chart inside of the belt cover.

Five Speeds are available:

740, 1100, 1530, 2100, 3140 RPM

- D. Manually move the motor away from the feed handle until the belt is tensioned, then tighten the motor lock knob.

**NOTE:** The belt is properly tensioned when the deflection distance is about 3/8" to 1/2" when pushed by hand. FIG. 13.

- E. When the desired speed is set and the motor is locked in place, close the cover, plug in the machine to resume drilling.

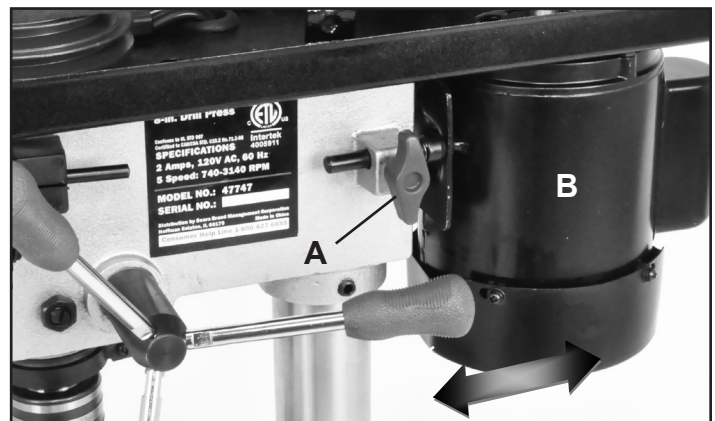


FIG. 12

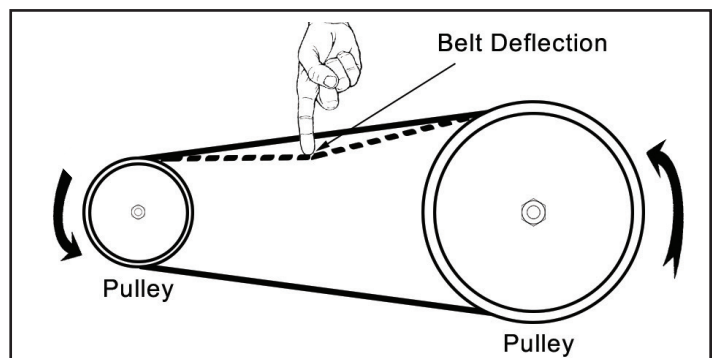


FIG. 13

# OPERATION

## 1. Installing A Drill Bit

See Fig. 14

- A. With the switch "OFF", open the chuck jaws (1) using the chuck key (2).
- B. Turn the chuck key counterclockwise to open the chuck jaws (1).
- C. Insert the drill bit (3) into the chuck far enough to obtain maximum gripping by the jaws, but not far enough to touch the spiral grooves (flutes) of the drill bit when the jaws are tightened.
- D. Make sure that the drill is centered in the chuck.
- E. Turn the chuck key clockwise to tighten the jaws.

**WARNING:** To avoid injury or accident by the chuck key ejecting forcibly from the chuck when the power is turned **ON**, always recheck and remove the chuck key before turning the power **ON**.

## 2. Positioning Workpiece

If not using a table fence, to prevent the workpiece or back-up material from being torn from your hands while drilling, you **MUST** position it against the **LEFT** side of the column. Failure to do this could result in personal injury.

See Fig.15

## 3. Using Vise

For small workpieces that cannot be clamped to the table, use a drill press vise. The vise must be clamped or bolted to the table.

**WARNING:** The drill press vise **MUST** be clamped or bolted to the table to avoid injury from a spinning workpiece, or damaged vise or bit parts.

See Fig.16

## 4. Drilling a Hole

Using a center punch or a sharp nail, make an indentation in the workpiece where you want to drill. Turn the power switch on and pull down the feed handles with only enough effort to allow the drill to cut.

**FEEDING TOO RAPIDLY** might cause the belt or drill to slip, tear the workpiece loose, or break the drill bit. When drilling metal, it will be necessary to lubricate the tip of the drill bit with metal drilling oil to prevent it from

## DRILLING TO A SPECIFIC DEPTH

Drilling a blind hole (not all the way through the workpiece) to a given depth can be done two ways:

### Workpiece method (Figure 16 and 17)

- A. Mark the depth (2) of the hole on the side of the workpiece.(1) (Figure 16).
- B. With the switch "OFF", bring the drill bit (2) down until the tip is even with the mark (Figure 16).
- C. Hold the feed handle at this position.
- D. Spin the lower nut (3) down to contact the depth stop lug (6) on the head (Figure 17).
- E. Spin the upper nut (5) down and tighten against the lower nut (3)(Figure 17).
- F. The drill bit will now stop after traveling the distance marked on the workpiece.

### Depth scale method (Figure 17)

- A. With the switch "OFF", turn the feed handle until the pointer (7) points to the desired depth on the depth scale (4) and hold the feed handle in that position.
- B. Spin the lower nut (3) down to contact the depth stop lug (6).
- C. Spin the upper nut (5) against the lower stop nut and tighten.
- D. The drill bit will stop after traveling the distance selected on the depth scale.

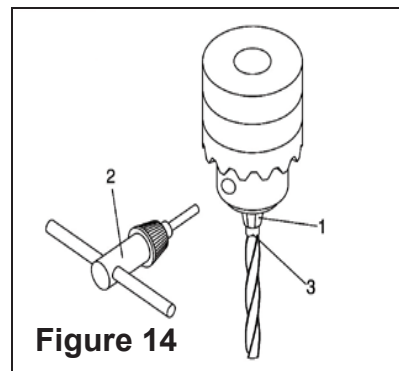


Figure 14

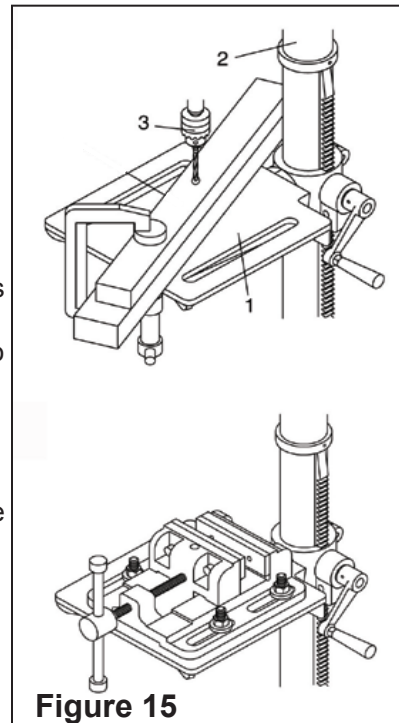


Figure 15

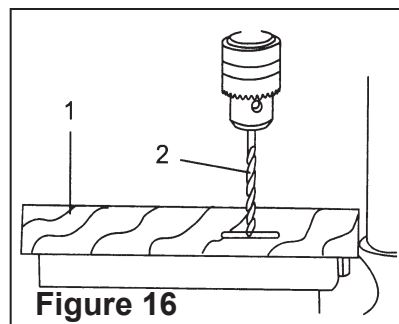


Figure 16

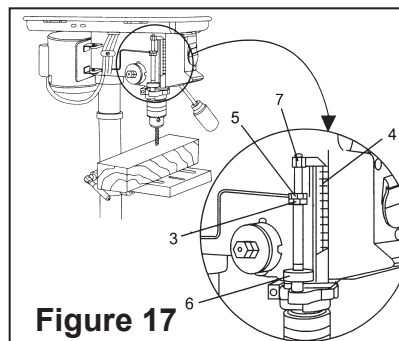


Figure 17

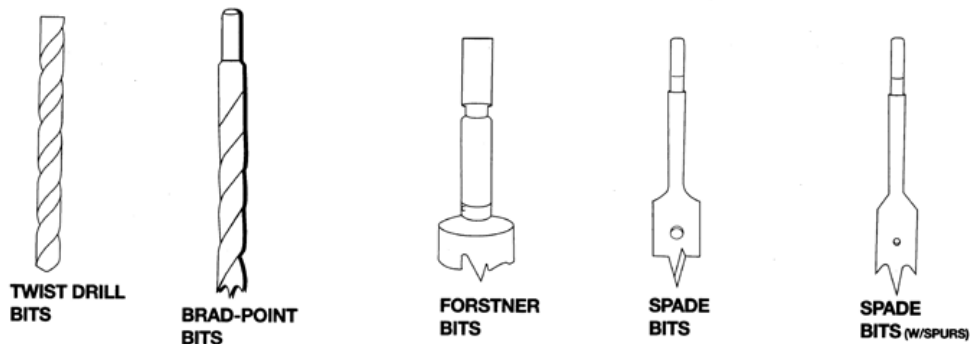
# OPERATION

## Correct Drilling Speeds

**WARNING:** Be sure drill press is turned off and is disconnected from power source before adjusting speeds.

Use the recommended speed for the drill bit and workpiece.

The drill bits that can be used are shown in following figure:



|                              | SOFTWOOD | HARDWOOD | ACRYLIC | BRASS | ALUMINUM | STEEL |
|------------------------------|----------|----------|---------|-------|----------|-------|
| <b>TWIST DRILL BITS</b>      |          |          |         |       |          |       |
| 1/16-3/16" (3-5mm)           | 3000     | 3000     | 2500    | 3000  | 3000     | 3000  |
| 1/4-3/8" (6-10mm)            | 3000     | 1500     | 2000    | 1200  | 2500     | 1000  |
| 7/16-5/8" (11-16mm)          | 1500     | 750      | 1500    | 750   | 1500     | 600   |
| 11/16-1" (11-25mm)           | 750      | 500      | NR      | 400   | 1000     | 250   |
| <b>BRAD-POINT BITS</b>       |          |          |         |       |          |       |
| 1/8"                         | 1800     | 1200     | 1500    | NR    | NR       | NR    |
| 1/4"                         | 1800     | 1000     | 1500    | NR    | NR       | NR    |
| 3/8"                         | 1800     | 750      | 1500    | NR    | NR       | NR    |
| 1/2"                         | 1800     | 750      | 1000    | NR    | NR       | NR    |
| 5/8"                         | 1800     | 500      | 750     | NR    | NR       | NR    |
| 3/4"                         | 1400     | 250      | 750     | NR    | NR       | NR    |
| 7/8"                         | 1200     | 250      | 500     | NR    | NR       | NR    |
| 1"                           | 1000     | 250      | 200     | NR    | NR       | NR    |
| <b>FORSTNER BITS</b>         |          |          |         |       |          |       |
| 1/4-3/8"                     | 2400     | 700      | 250     | NR    | NR       | NR    |
| 1/2-5/8"                     | 2400     | 500      | 250     | NR    | NR       | NR    |
| 3/4-1"                       | 1500     | 500      | 250     | NR    | NR       | NR    |
| 1-1/8-1 1/4"                 | 1000     | 250      | 250     | NR    | NR       | NR    |
| 1-3/8-2"                     | 500      | 250      | NR      | NR    | NR       | NR    |
| <b>SPADE BITS</b>            |          |          |         |       |          |       |
| 1/4-1/2"                     | 2000     | 1500     | NR      | NR    | NR       | NR    |
| 5/8-1-1/2"                   | 1750     | 1500     | NR      | NR    | NR       | NR    |
| 1-1/8-1-1/2"                 | 1500     | 1000     | NR      | NR    | NR       | NR    |
| <b>SPADE BITS WITH SPURS</b> |          |          |         |       |          |       |
| 3/8-1"                       | 2000     | 1800     | 500     | NR    | NR       | NR    |

NR - Not Recommended

## MAINTENANCE

**⚠ WARNING:** Turn the power switch “OFF” and disconnect the plug from the outlet prior to adjusting or maintaining the machine. DO NOT attempt to repair or maintain the electrical components of the motor. Contact a qualified service technician for this type of maintenance.

1. Before each use:

- Check the power cord and plug for any wear or damage.
- Check for any loose screws or hardware.
- Check the area to make sure it is clear of any misplaced tools, lumber, cleaning supplies, etc. that could hamper the safe operation of the drill press.

2. To avoid a build-up of wood dust, regularly clean all parts of the machine using a soft cloth, brush or compressed air. A general cleaning should be done after every use to avoid future problems and ensure the machine is in ready condition for the next time it is used.

**WARNING:** If blowing sawdust, wear proper eye protection to prevent debris from blowing into eyes.

3. Keep the table, column and base free of resin and rust. Clean them regularly with a non-flammable solvent, then coat with a light film of dry lubricant spray, or wax, to keep their surfaces clean. Do not use ordinary oil which will collect dust and hamper the operation of the machine.

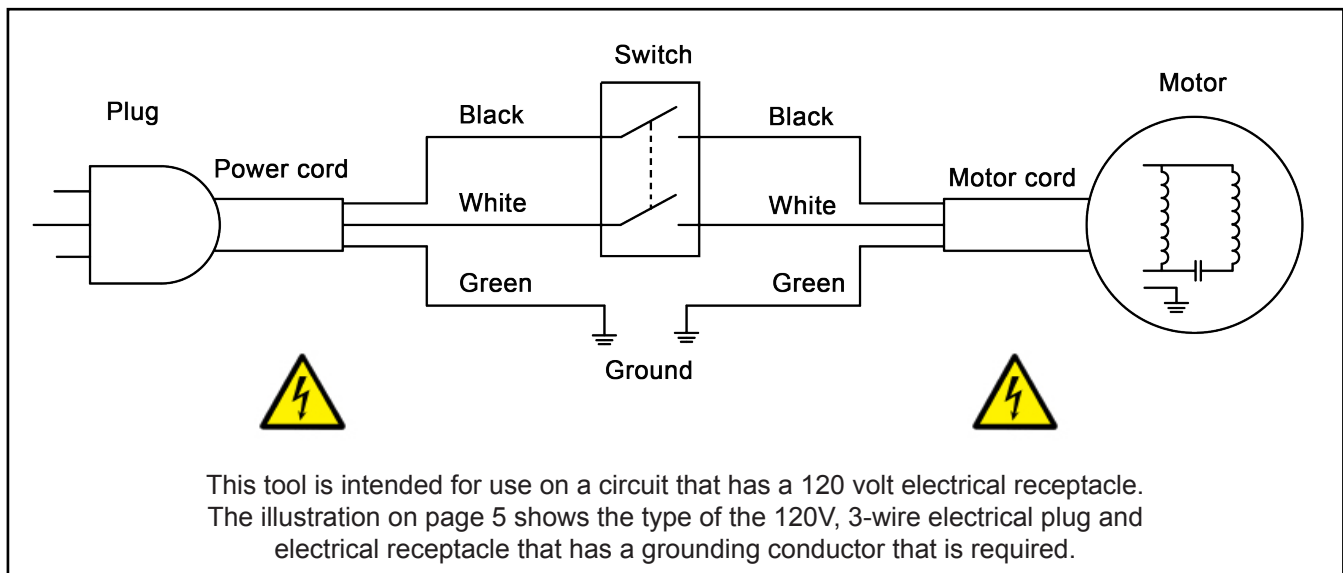
4. All of the ball bearings are lifetime lubricated, sealed, and do not need any further care. Keep the drive belts free of oil and grease.

5. Check the belt tension after the first 3-5 hrs. of operation to ensure that the belts have not become stretched and loose from their 'breaking in' use. See page 12 for instructions.

**NOTE:** Refer to pages 3 - 6 for more information on proper machine usage and user safety.

## WIRING DIAGRAM

**⚠ WARNING:** This machine must be grounded. Replacement of the power supply cable should only be done by a qualified electrician. See page 5 for additional electrical information.



# TROUBLESHOOTING



**THE MACHINE MUST NOT BE PLUGGED IN AND THE POWER SWITCH MUST BE IN THE 'OFF' POSITION UNTIL ADJUSTMENTS ARE COMPLETE.**

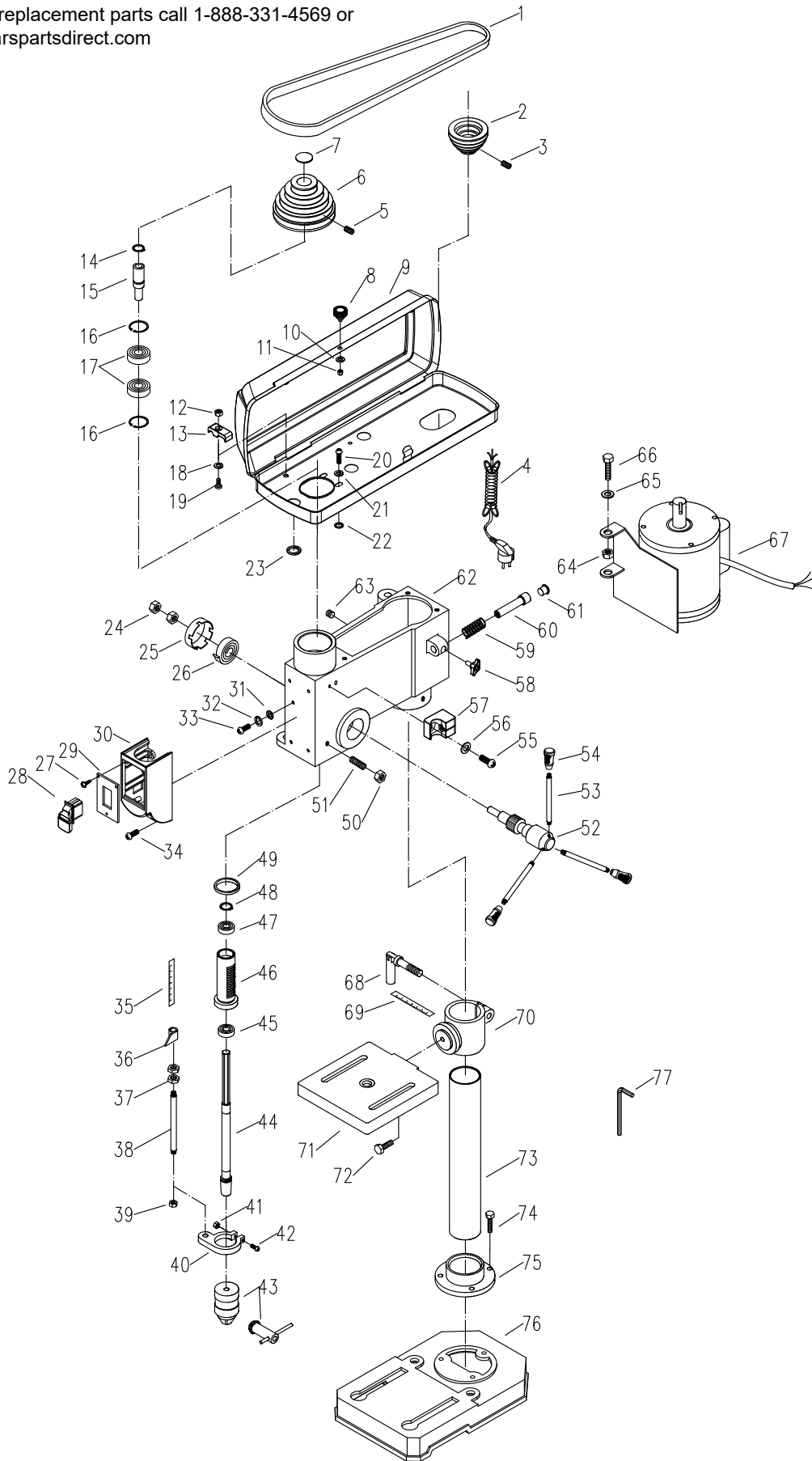
| PROBLEM                                       | PROBABLE CAUSE  | REMEDY   |
|---|---|--|
| Motor will not start                          | <ol style="list-style-type: none"> <li>1. Machine is not plugged in</li> <li>2. Low line voltage</li> <li>3. Loose connection</li> <li>4. Defective switch</li> <li>5. Defective motor</li> </ol>                                   | <ol style="list-style-type: none"> <li>1. Plug in machine</li> <li>2. Check fuses or reset circuit breaker, if using extension cord, discontinue and plug machine directly into wall outlet</li> <li>3. Check plug and all connections</li> <li>4. Replace switch</li> <li>5. Replace motor</li> </ol>                 |
| Motor fails to develop full power.            | <ol style="list-style-type: none"> <li>1. Power line is overloaded</li> <li>2. Undersize wires in supply system</li> <li>3. Drive belt tension is too high</li> <li>4. Low line voltage</li> <li>5. Motor malfunctioning</li> </ol> | <ol style="list-style-type: none"> <li>1. Correct the overload condition</li> <li>2. Increase supply wire size or eliminate using an extension cord</li> <li>3. Adjust belt tension</li> <li>4. Have voltage checked by an electrician and corrected, if necessary</li> <li>5. Test motor to fix or replace</li> </ol> |
| Motor stalls                                  | <ol style="list-style-type: none"> <li>1. Overfeeding of drill bit into material</li> <li>2. Dull drill bit</li> <li>3. Motor malfunction, not reaching speed</li> </ol>  | <ol style="list-style-type: none"> <li>1. Slower feed rate of the bit into material</li> <li>2. Sharpen or replace drill bit</li> <li>3. Check motor capacitor and line voltage</li> </ol>   |
| Motor overheats                               | <ol style="list-style-type: none"> <li>1. Motor is overloaded</li> <li>2. Air flow restricted on the motor</li> </ol>   | <ol style="list-style-type: none"> <li>1. Reduce load, slow down feed rate</li> <li>2. Clean motor to increase air flow</li> </ol>   |
| Noisy operation                               | <ol style="list-style-type: none"> <li>1. Excessive machine vibration</li> <li>2. Dry spindle</li> <li>3. Loose pulleys</li> <li>4. Noisy motor</li> </ol>  | <ol style="list-style-type: none"> <li>1. Tighten any loose parts. Secure drill press to the floor or plywood base</li> <li>2. Lubricate spindle, quill, etc.</li> <li>3. Make needed corrections</li> <li>4. Check motor bearings and fan</li> </ol>  |
| Drill bit or material smokes or burns         | <ol style="list-style-type: none"> <li>1. Drilling speed is too fast</li> <li>2. Chips are not clearing out of hole</li> <li>3. Dull drill bit</li> <li>4. Feeding bit is too slow</li> <li>5. Bit is not lubricated</li> </ol>     | <ol style="list-style-type: none"> <li>1. Reduce drilling speed</li> <li>2. Retract drill bit frequently to clear chips</li> <li>3. Change or sharpen drill bit</li> <li>4. Increase feed speed</li> <li>5. Lubricate bit. Make sure bit and flutes are clean of rust, resin build-up, etc.</li> </ol>                 |
| Drill bit wanders or wobbles                  | <ol style="list-style-type: none"> <li>1. Bit not installed correctly in the chuck</li> <li>2. Bit sharpened incorrectly</li> <li>3. Bit is bent or shank is damaged</li> </ol>   | <ol style="list-style-type: none"> <li>1. Re-install bit in chuck jaws correctly</li> <li>2. Sharpen bit correctly or replace bit</li> <li>3. Replace bit</li> </ol>   |
| Drill bit binds in the work piece             | <ol style="list-style-type: none"> <li>1. Work piece is pinching the drill bit</li> <li>2. Excessive feed rate</li> <li>3. Chuck jaws are not holding bit tight</li> </ol>  | <ol style="list-style-type: none"> <li>1. Support or clamp down the work piece</li> <li>2. Slow down the feed rate</li> <li>3. Tighten the chuck jaws on the bit</li> </ol>  |
| Drill bit slips                               | <ol style="list-style-type: none"> <li>1. Bit not installed securely in the chuck</li> </ol>  | <ol style="list-style-type: none"> <li>1. Re-install the bit tightly in the chuck</li> </ol>   |
| Wood splinters on the underside of work piece | <ol style="list-style-type: none"> <li>1. No supporting 'back up material' under the work piece</li> </ol>  | <ol style="list-style-type: none"> <li>1. Use scrap board or plywood under the work piece for support when the drill bit bores through the work</li> </ol>   |
| Quill returns too slow or too fast            | <ol style="list-style-type: none"> <li>1. Spindle return spring has improper tension</li> </ol>   | <ol style="list-style-type: none"> <li>1. Adjust spindle return spring tension</li> </ol>  |





# PARTS DIAGRAM

To purchase replacement parts call 1-888-331-4569 or  
visit [www.searspartsdirect.com](http://www.searspartsdirect.com)



# PARTS LIST

| KEY NO. | DESCRIPTION          | QTY. | MFGR. NO.  | KEY NO. | DESCRIPTION           | QTY. | MFGR. NO.    |
|---------|----------------------|------|------------|---------|-----------------------|------|--------------|
| 1       | V-belt               | 1    | 39KK670    | 40      | Quill collar          | 1    | 2101400400   |
| 2       | Motor pulley         | 1    | 2101100110 | 41      | Hex nut               | 1    | 34105        |
| 3       | Set screw            | 1    | 31706008   | 42      | Pan head screw        | 1    | 32105025     |
| 4       | Power cord           | 1    | 41CULK1822 | 43      | Chuck with key        | 1    | 38JT33       |
| 5       | Set screw            | 1    | 31706008   | 44      | Spindle               | 1    | 2101800400   |
| 6       | Spindle pulley       | 1    | 2101100210 | 45      | Ball bearing          | 1    | 376201       |
| 7       | Pulley cap           | 1    | 2101401500 | 46      | Quill                 | 1    | 2101100400   |
| 8       | Belt house knob      | 1    | 2111400100 | 47      | Ball bearing          | 1    | 376201       |
| 9       | Belt house           | 1    | 2101500210 | 48      | Retaining ring        | 1    | 37112        |
| 10      | Flat washer          | 1    | 35105      | 49      | Rubber washer         | 1    | 2101400500   |
| 11      | Nut                  | 1    | 34205      | 50      | Hex nut               | 1    | 34108        |
| 12      | Hex nut              | 2    | 34105      | 51      | Set screw             | 1    | 31808016     |
| 13      | Cord clamp           | 2    | 2102400800 | 52      | Gear shaft            | 1    | 2101800700   |
| 14      | Retaining ring       | 1    | 37122      | 53      | Feeding handle        | 3    | 2101800800   |
| 15      | Sleeve               | 1    | 2101600101 | 54      | Knob                  | 3    | 2114400200   |
| 16      | Retaining ring       | 2    | 37240      | 55      | Flat washer           | 1    | 35105        |
| 17      | Ball bearing         | 2    | 376203     | 56      | Pan head screw        | 1    | 32105010     |
| 18      | Flat washer          | 2    | 35105      | 57      | Chuck key seat        | 1    | 2101401900   |
| 19      | Pan head screw       | 2    | 32105016   | 58      | Wing screw            | 1    | 2101401300   |
| 20      | Pan head screw       | 4    | 32106010   | 59      | Spring                | 1    | 2101700200   |
| 21      | Flat washer          | 4    | 35106      | 60      | Pushing shaft         | 1    | 2101800900   |
| 22      | Rubber washer        | 4    | 2101400200 | 61      | Cap                   | 1    | 2101400900   |
| 23      | Bushing              | 2    | 2112400100 | 62      | Head                  | 1    | 2102100100   |
| 24      | Hex nut              | 2    | 34410A     | 63      | Set screw             | 2    | 31708008     |
| 25      | Spring cap &         | 1    |            | 64      | Hex nut               | 2    | 34108        |
| 26      | Spring               | 1    | 2114500400 | 65      | Flat washer           | 4    | 35108        |
| 27      | Thread forming screw | 3    | 32329065   | 66      | Hex head bolt         | 2    | 33108025     |
| 28      | Switch               | 1    | 44HY181R24 | 67      | Motor                 | 1    | M11126025353 |
| 29      | Switch plate         | 1    | 2102400510 | 68      | Locking handle        | 1    | 2101801028   |
| 30      | Switch box           | 1    | 2102400410 | 69      | Angle scale           | 1    | 2101900200   |
| 31      | Serrated washer      | 2    | 35405      | 70      | Table support bracket | 1    | 2101100500   |
| 32      | Lock washer          | 2    | 35305      | 71      | Table                 | 1    | 2101101000   |
| 33      | Pan head screw       | 2    | 32105008   | 72      | Hex head bolt         | 1    | 33112025     |
| 34      | Pan head screw       | 4    | 32105012   | 73      | Column                | 1    | 2101801100   |
| 35      | Depth scale          | 1    | 2101900100 | 74      | Hex head bolt         | 3    | 33108016     |
| 36      | Pointer              | 1    | 2101400300 | 75      | Column support        | 1    | 2101100700   |
| 37      | Hex nut              | 2    | 34108      | 76      | Base                  | 1    | 2101100800   |
| 38      | Depth rod            | 1    | 2101800100 | 77      | Wrench                | 1    | 38M4         |
| 39      | Hex nut              | 1    | 34106      |         |                       |      |              |

## WARRANTY

### CRAFTSMAN LIMITED WARRANTY

FOR ONE YEAR from the date of sale this product is warranted against defects in material or workmanship.

WITH PROOF OF SALE a defective product will be replaced free of charge.

For warranty coverage details to receive free repair or replacement, visit the web page:

[www.craftsman.com/warranty](http://www.craftsman.com/warranty)

This warranty does not cover the bits, which are expendable parts that can wear out from normal use within the warranty period.

This warranty is void if this product is ever used while providing commercial services or if rented to another person.

This warranty gives you specific legal rights, and you may also have other rights which vary from state to state.

Sears Brands Management Corporation, Hoffman Estates, IL 60179

**For Questions/Comments or Technical Assistance-Please call Customer Service at: 1-(877)866-8392 (M-F 8:30AM-5PM EST.)**

## REPAIR PROTECTION AGREEMENT

### Repair Protection Agreements

*Congratulations on making a smart purchase.*

Your new Craftsman® product is designed and manufactured for years of dependable operation. But like all products, it may require repair from time to time. That's when having a Repair Protection Agreement can save you money and aggravation.

**Here's what the Repair Protection Agreement\* includes:**

- ✓ **Expert service** by experienced service technicians trusted in millions of homes every year.
- ✓ **Unlimited service and no charge** for parts and labor on all covered repairs.
- ✓ **Product replacement** up to \$1500 if your covered product can't be fixed.
- ✓ **Discount of 25%** from regular price of service and related installed parts not covered by the agreement.
- ✓ **Fast help by phone** – phone support from a service agent on all products to help troubleshoot problems. Think of us as a “talking owner's manual.”

Once you purchase the Repair Protection Agreement, a simple phone call is all that it takes for you to schedule service. You can call anytime day or night.

The Repair Protection Agreement is a risk-free purchase. If you cancel for any reason during the product warranty period, we will provide a full refund. Or, a prorated refund anytime after the product warranty period expires. Purchase your Repair Protection Agreement today!

**Some limitations and exclusions apply. For prices and additional information call 1-800-827-6655.**

### Sears Installation Service

*For Sears professional installation* of home appliances, garage door openers, water heaters, and other major home items, call **1-888-331-4569**.

Manual de usuario



# PRENSA TALADRADORA de 8"

MOTOR DE 1/3  
HP Modelo 124.  
47747



**PRECAUCIÓN:** Antes de usar este producto, lea este manual y siga todas las instrucciones de seguridad y operación.

- Instrucciones de seguridad
- Ensamblaje
- Operación
- Mantenimiento
- Resolución de problemas
- Lista de partes

Sears Brands Management Corporation,  
Hoffman Estates, IL 60179 EE.UU.

# TABLA DE CONTENIDO

|  |         |
|--|---------|
| Especificaciones .....                           | 2       |
| Instrucciones de seguridad .....                 | 3 - 6   |
| Conozca a su máquina .....                       | 7       |
| Contenido del paquete.....                       | 7 - 8   |
| Instalación .....                                | 8       |
| Ensamblaje .....                                 | 9 - 10  |
| Ajustes .....                                    | 11 - 12 |
| Operación .....                                  | 13 - 14 |
| Mantenimiento .....                              | 15      |
| Seguridad eléctrica y diagrama de cableado ..... | 5 y 15  |
| Resolución de problemas .....                    | 16      |
| Notas .....                                      | 17      |
| Diagrama de partes y Lista de partes .....       | 18 - 19 |
| Garantía .....                                   | 20      |
| Plan de protección de reparo de la máquina ..... | 20      |
| Registración .....                               | 21      |

## ESPECIFICACIONES

|   |                             |
|---|-----------------------------|
| Motor                                       | 1/3 HP                      |
| Velocidad del motor (sin carga)             | 1.720 RPM                   |
| Voltios                                     | 120 V                       |
| Amperios, Hertz                             | 2.3 amperios, 60 Hz         |
| Oscilación                                  | 8"                          |
| Tamaño del mandril                          | 1/2" (13mm)                 |
| Cono del mandril                            | JT33                        |
| Capacidad de perforación                    | 1/2" (1.5 a 13mm)           |
| Desplazamiento del husillo                  | 2"                          |
| Cono del husillo                            | JT33                        |
| Velocidades                                 | 5                           |
| Gama de velocidades (RPM)                   | 740, 1100, 1530, 2100, 3140 |
| Diámetro de la caña                         | 1-9/16" (40mm)              |
| Tamaño de la mesa                           | 6-1/2 "x 6-1/2"             |
| Inclinación de la mesa                      | 45°                         |
| Rotación de la mesa                         | 360°                        |
| Distancia máxima entre el mandril y la mesa | 7"                          |
| Distancia máxima entre el mandril y la mesa | 10-1/2"                     |
| Diámetro de la columna                      | 1-13/16" (46mm)             |
| Altura                                      | 23-1/8"                     |
| Tamaño de la base                           | 11 "x 7"                    |
| Peso neto                                   | 34,2 libras.                |

**NOTA:** Las especificaciones, fotografías, dibujos e información que contiene este manual representan el modelo actual de la máquina cuando el manual fue preparado. Cambios y mejoras se pueden hacer en cualquier momento, sin ninguna obligación de parte de Sears Brands, LLC. de modificar unidades previamente entregadas. Se han tomado precauciones razonables para asegurar que la información en este manual es correcta, para proveer las pautas apropiadas para la seguridad, ensamblaje, y operación apropiados de esta máquina.

# INSTRUCCIONES DE SEGURIDAD

**¡IMPORTANTE!** La seguridad es la consideración más importante en el uso de este equipo. **Las siguientes instrucciones se deben de seguir en todo momento.** El no cumplir con las instrucciones abajo puede causar descargas eléctricas, incendios y/o lesiones graves.

Esta herramienta fue diseñada para aplicaciones determinadas. Recomendamos que esta herramienta no sea modificada ni utilizada para cualquier otro uso para el cual no fue diseñada. Si tiene cualquier duda acerca de su aplicación, no use la herramienta hasta que nos haya contactado y le hayamos aconsejado.

## SÍMBOLOS DE SEGURIDAD



**SÍMBOLO DE ALERTA DE SEGURIDAD:** Indica PELIGRO, AVISO, o PRECAUCIÓN. Este símbolo se puede utilizar conjuntamente con otros símbolos o pictogramas.



### PELIGRO

Indica una situación inminentemente peligrosa que, al no evitarse, podría ocasionar la muerte o lesiones graves.



### AVISO

Indica una situación potencialmente peligrosa que, al no evitarse, podría ocasionar la muerte o lesiones graves.



### PRECAUCIÓN

Indica una situación potencialmente peligrosa que, al no evitarse, podría causar lesiones leves o moderadas.

**AVISO:** Si se muestra sin Símbolo de Alerta de Seguridad, indica una situación que puede resultar en daños a la propiedad.

## SEGURIDAD GENERAL

**CONOZCA A SU HERRAMIENTA ELÉCTRICA.** Lea el manual del usuario cuidadosamente. Aprenda las aplicaciones de la herramienta, sus capacidades, y los riesgos específicos potenciales.

### ANTES DE USAR SU MÁQUINA

Para evitar lesiones graves y daños a la herramienta, lea y siga todas las Instrucciones de Seguridad y Operación antes de operar la máquina.

1. Algunos polvos creados por el uso de herramientas eléctricas contiene químicos que son conocidos por el Estado de California por causar cáncer, defectos de nacimiento, u otros daños reproductivos.

Algunos ejemplos de estos productos químicos son:

- Plomo en ciertos tipos de pinturas.
- Sílice cristalina de ladrillos, cemento, y otros.
- Productos de albañilería.
- Arsénico y cromo de madera tratada con químicos. Su riesgo de ser expuesto a estos químicos varía, dependiendo de la frecuencia con que hace este tipo de trabajo. Para reducir su exposición a estos químicos, trabaje en un área con buena ventilación y con equipos de seguridad aprobados, como máscaras para polvo que son diseñadas específicamente para filtrar partículas microscópicas.

2. **LEA** el Manual de usuario entero. **APRENDA** a usar la herramienta para su uso previsto.

3. **CONECTE A TIERRA TODA HERRAMIENTA.** Si la herramienta está equipada con un enchufe de tres dientes, debe conectarse en un tomacorriente de tres hoyos. El tercer diente se usa para conectar la herramienta a tierra y proveer protección contra descarga eléctrica accidental. **NO ELIMINE** el tercer diente del enchufe. Vea las instrucciones para conectar a tierra en las siguientes páginas.

4. **EVITE ENTORNOS PELIGROSOS PARA EL TRABAJO. NO UTILICE** herramientas eléctricas en entornos húmedos y **NO LAS EXPONGA** a la lluvia.

5. **NO UTILICE** herramientas eléctricas en la presencia de líquidos o gases inflamables.

6. **SIEMPRE** mantenga su área de trabajo limpia, bien iluminada, y ordenada. **NO TRABAJE** en ningún entorno con pisos cuyas superficies están resbalosas con escombros, grasa, o cera.

7. **MANTENGA ALEJADOS A VISITANTES Y NIÑOS. NO PERMITA** que haya personas en el área de trabajo, especialmente mientras se opera la herramienta eléctrica.

8. **NO ESFUERCE A QUE LA MÁQUINA** haga ninguna operación para la cual no se diseñó. Funcionará de forma más segura y hará un trabajo de mejor calidad al realizar solamente las operaciones para las cuales fue diseñada.

9. **USE UNA VESTIMENTA ADECUADA. NO SE PONGA** ropa suelta, guantes, corbatas, ni joyas. Estos artículos se pueden atrapar en la máquina mientras opera y pueden jalar al operador hacia las partes móviles. El usuario debe ponerse un cobertor protector en el cabello, si tiene cabello largo, para prevenir contacto con cualquier parte móvil.

10. **ASEGURE LA PROTECCIÓN PARA NIÑOS EN EL TALLER** quitando llaves de interruptores, desenchufando herramientas de los tomacorrientes, y utilizando candados.

11. **SIEMPRE DESENCHUFE LA HERRAMIENTA DEL TOMACORRIENTE** cuando se realicen ajustes, se cambien partes, o se realice cualquier trabajo de mantenimiento.

# INSTRUCCIONES DE SEGURIDAD

**12. MANTENGA PROTECTORES EN SUS LUGARES Y EN BUENAS CONDICIONES DE FUNCIONAMIENTO.**

**13. EVITE QUE LA MÁQUINA SE PRENDA ACCIDENTALMENTE.** Asegúrese que el interruptor está apagado (en la posición de "OFF") antes de enchufar el cable en el tomacorriente.

**14. SAQUE TODA HERRAMIENTA DE MANTENIMIENTO** del área antes de prender ("ON") la máquina.

**15. UTILICE SOLAMENTE ACCESORIOS RECOMENDADOS.** El uso de accesorios incorrectos o inapropiados podría causar lesiones graves al operador y daños a la herramienta. Si existe alguna duda, verifique en el manual de instrucción que acompaña el accesorio en cuestión.

**16. NUNCA DEJE UNA MÁQUINA PRENDIDA DESATENDIDA.** Apague el interruptor ("OFF"). **NO DEJE** la herramienta hasta que se haya detenido completamente.

**17. NO SE PARE ENCIMA DE UNA HERRAMIENTA.** Se puede ocasionar lesiones graves si la herramienta se vuelca, o si se toca la herramienta accidentalmente.

**18. NO GUARDE** nada encima ni cerca de la herramienta donde alguien podría intentar pararse sobre la herramienta para alcanzarlo.

**19. MANTENGA SU EQUILIBRIO. NO SE EXTRALIMITE** sobre la herramienta. Use zapatos con suela de goma y resistentes al aceite. Mantenga el piso libre de escombros, grasa, y cera.

**20. MANTENGA LAS HERRAMIENTAS CON CUIDADO.** Siempre mantenga las herramientas limpias y en buenas condiciones de funcionamiento. Mantenga cada cuchilla y broca de herramienta afilada, rectifique las ruedas de amolar, y cambie otros accesorios abrasivos cuando estén gastados.

**21. REVISE SI HAY PARTES DAÑADAS CADA VEZ ANTES DE USAR LA HERRAMIENTA.** Revise cada protector cuidadosamente para verificar que funciona adecuadamente, que no esté dañado, y que cumple con las funciones indicadas. Verifique el alineamiento, la atadura, y que no estén rotas las partes móviles. Cualquier protector u otra parte dañada deben ser arreglados o reemplazados inmediatamente.

**22. NO OPERE LA HERRAMIENTA MIENTRAS ESTÁ CANSADO O BAJO LOS EFECTOS DE DROGAS, MEDICAMENTOS, O ALCOHOL.**

**23. ASEGURE TODA PIEZA DE TRABAJO.** Utilice abrazaderas o plantillas para asegurar la pieza de trabajo. Así es más seguro que intentar aguantar la pieza de trabajo con las manos.

**24. MANTÉNGASE ALERTO, MIRE LO QUE HACE, Y USE EL SENTIDO COMÚN CUANDO OPERA UNA HERRAMIENTA ELÉCTRICA.** Un momento de descuido mientras opera una herramienta

eléctrica puede ocasionar graves lesiones corporales.

**25. SIEMPRE UTILICE UNA MÁSCARA PARA POLVO PARA PREVENIR LA INHALACIÓN DE POLVO PELIGROSO O PARTÍCULAS AÉREAS,** incluyendo polvo de madera, polvo de sílice cristalina, y polvo de amianto. Desvíe partículas de la cara y del cuerpo. Siempre opere la herramienta en un área bien ventilada y provea ventilación adecuada para sacar el polvo. Utilice un sistema de recolección de polvo cuando sea posible. Exposición al polvo puede causar problemas respiratorios graves y permanentes u otras lesiones, incluyendo silicosis (una enfermedad grave del pulmón), cáncer, y la muerte. Evite respirar el polvo, y evite contacto prolongado con el polvo. Dejar que el polvo entre en la boca o los ojos, o que permanezca en la piel, puede promover la absorción de material dañino. Siempre utilice protección respiratoria, aprobada por NIOSH/OSHA y que le quede adecuadamente, contra la exposición al polvo. Lave áreas expuestas con jabón y agua.

**26. UTILICE SOLAMENTE UN ALARGADOR DE 3 ALAMBRES QUE TIENE UN ENCHUFE DE 3 DIENTES PARA CONECTAR A TIERRA, Y UN TOMACORRIENTE DE 3 POLOS QUE SON ACEPTADOS POR EL ENCHUFE DE LA HERRAMIENTA.**

**27. Se puede conseguir MÁS INFORMACIÓN** acerca de la operación segura y apropiada de este producto en:

- Power Tool Institute  
1300 Summer Avenue  
Cleveland, OH 44115-2851  
[www.powertoolinstitute.org](http://www.powertoolinstitute.org)
- National Safety Council  
121 Spring Lake Drive  
Itasca, IL 60143-3201  
[www.nsc.org](http://www.nsc.org)
- American National Standards Institute  
25 West 43rd Street, 4th Floor  
New York, NY 10036  
[www.ansi.org](http://www.ansi.org)
- ANSI 01.1 Requerimientos de seguridad para máquinas de carpintería y las normas del Departamento de Trabajo de los EE.UU.  
[www.osha.gov](http://www.osha.gov)

**26. GUARDE ESTAS INSTRUCCIONES.** Refiérase a ellas frecuentemente y úselas para instruir a otros.



# INSTRUCCIONES DE SEGURIDAD

## SEGURIDAD ELÉCTRICA

**⚠️ WARNING:** ESTA HERRAMIENTA DE 120V SE TIENE QUE CONECTAR A TIERRA MIENTRAS SE USA PARA PROTEGER AL OPERADOR DE DESCARGA ELÉCTRICA.

### EN CASO DE UN FALLO O UNA AVERÍA,

la conexión a tierra provee el camino de menos resistencia para corriente eléctrica y disminuye el riesgo de descarga eléctrica. Esta herramienta viene equipada con un cable que tiene un conductor de equipo a tierra y un enchufe para conectar a tierra (no incluido). El enchufe **TIENE QUE** enchufarse en un tomacorriente que se haya instalado correctamente y que tiene conexión a tierra en cumplimiento con **TODO** código y ordenanza local.

**NO MODIFIQUE NINGÚN ENCHUFE.** Si no entra en el tomacorriente, procure que un electricista calificado instale un tomacorriente apropiado.

**CONEXIÓN ELÉCTRICA INAPROPIADA** del conductor de equipo a tierra puede causar riesgo de descarga eléctrica. El conductor con el aislamiento verde (sin o con rayas amarillas) es el conductor de equipo a tierra. **NO CONECTE** este a un terminal con corriente si es necesario arreglar o reemplazar el cable o enchufe.

**HABLE** con un electricista calificado o personal de mantenimiento si no entiende completamente las instrucciones para conectar a tierra, o si no está seguro si la herramienta tiene conexión a tierra adecuada cuando se instala o reemplaza un enchufe.

**UTILICE SOLAMENTE UN ALARGADOR DE 3 ALAMBRES QUE TIENE UN ENCHUFE DE 3 DIENTES APROPIADO PARA CONECTAR A TIERRA QUE IGUALA AL ENCHUFE DE 3 DIENTES DE LA MÁQUINA Y QUE TAMBIÉN ENCAJA EN EL TOMACORRIENTE DE 3 POLOS QUE ACEPTA EL ENCHUFE DE LA HERRAMIENTA.**

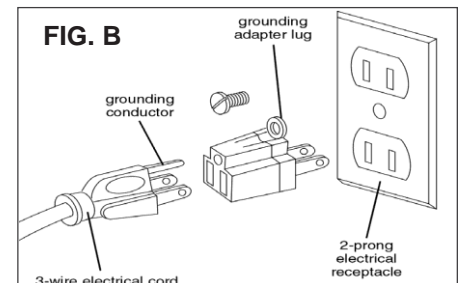
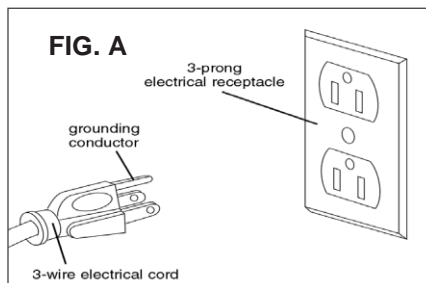
**REEMPLACE UN CABLE DAÑADO O GASTADO INMEDIATAMENTE.**

Esta herramienta de 120V se diseñó para uso en un circuito que tiene un tomacorriente como se muestra en la **FIGURA A**. Esta muestra un enchufe de 3 alambres y un tomacorriente que tiene un conductor para conectar a tierra. Si un tomacorriente con conexión a tierra

no está disponible, un adaptador de enchufe, como se muestra en

**LA FIGURA B**, se puede usar temporalmente para conectar este enchufe a un tomacorriente de 2 hoyos sin conexión a tierra. El adaptador tiene una pestaña de metal rígida que **TIENE QUE CONECTARSE** a una toma de tierra permanente, tal como un tomacorriente con la conexión a tierra apropiada.

**SE PROHIBE ESTE ADAPTADOR EN CANADÁ.**



## ALARGADORES ELÉCTRICOS

**⚠️ WARNING:** NO SE RECOMIENDA USAR ALARGADOR ELÉCTRICO CON ESTA MÁQUINA. Para mejor alimentación y seguridad, enchufe la máquina directamente en un tomacorriente dedicado con conexión a tierra a una distancia no mayor al largo del cable que viene con la máquina.

Si es necesario usar un alargador, sólo debería ser para una operación limitada. El alargador debe ser lo más corto posible, y debe tener un calibre mínimo de 14AWG.

**⚠️ WARNING:** Examine el alargador antes de cada uso. Si está dañado, reemplácelo inmediatamente. Nunca utilice una herramienta con un cable dañado, como al tocar el área dañada se podría ocasionar una descarga eléctrica, causando lesiones graves.

Use un alargador apropiado. Solo use alargadores aprobados por Underwriters Laboratories (UL). Otros alargadores podrían causar una pérdida en el voltaje de la línea, la cual causaría una pérdida de carga y el recalentamiento de la herramienta. Cuando opere una herramienta eléctrica afuera, use un alargador para uso al aire libre marcada "W-A" o "W". Estos alargadores se califican para uso al aire libre y disminuyen el riesgo de descarga eléctrica.

### MINIMUM RECOMMENDED GAUGE FOR EXTENSION CORDS (AWG)

| 120 VOLT OPERATION ONLY |          |          |           |           |
|-------------------------|----------|----------|-----------|-----------|
|                         | 25' LONG | 50' LONG | 100' LONG | 150' LONG |
| 0 to 6 Amps             | 18 AWG   | 16 AWG   | 16 AWG    | 14 AWG    |
| 6 to 10 Amps            | 18 AWG   | 16 AWG   | 14 AWG    | 12 AWG    |
| 10 to 12 Amps           | 16 AWG   | 16 AWG   | 14 AWG    | 12 AWG    |

**⚠️ WARNING:** Mantenga el alargador fuera del área de trabajo. Coloque el alargador para que no se enganche en madera, herramientas, u otros obstáculos mientras se trabaja con la herramienta eléctrica.

\* El Código Eléctrico Canadiense exige alargadores certificados del tipo SJT o mejor.

\*\* No se permite el uso de un adaptador en Canadá.

# INSTRUCCIONES DE SEGURIDAD

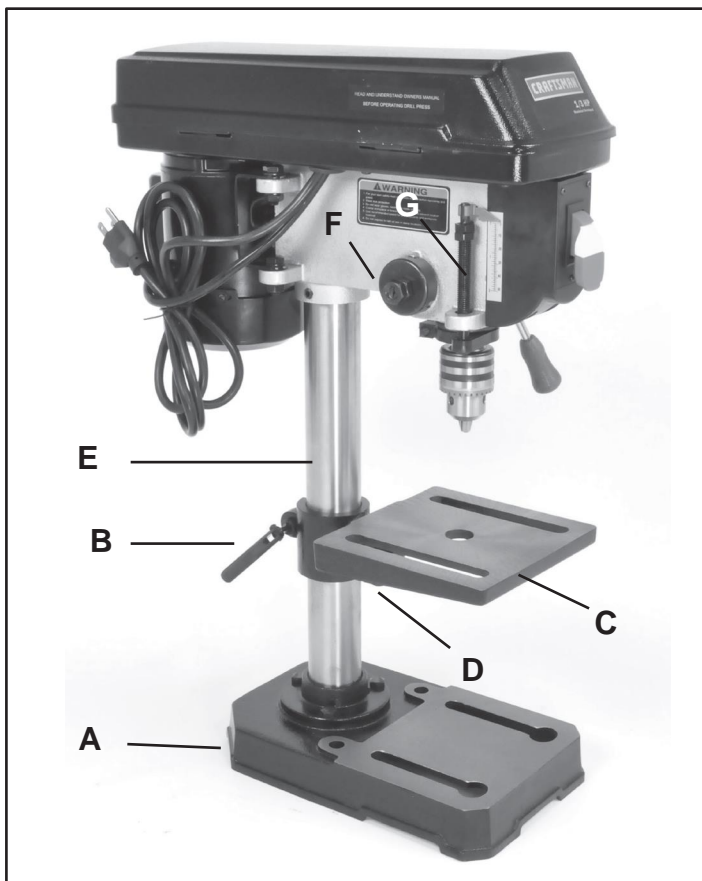
## INSTRUCCIONES DE SEGURIDAD ESPECÍFICAS PARA PRENSAS TALADRADORAS

Esta máquina está diseñada para taladrar maderas macizas, materiales compuestos, plásticos, y metales. Se deben de observar las dimensiones aceptables de la pieza de trabajo (véase en Especificación Técnica). Cualquier otro uso no especificado, que incluiría la modificación de la máquina o el uso de partes no probadas y aprobadas por el fabricante del equipo, puede causar daños imprevistos e invalidar la garantía.

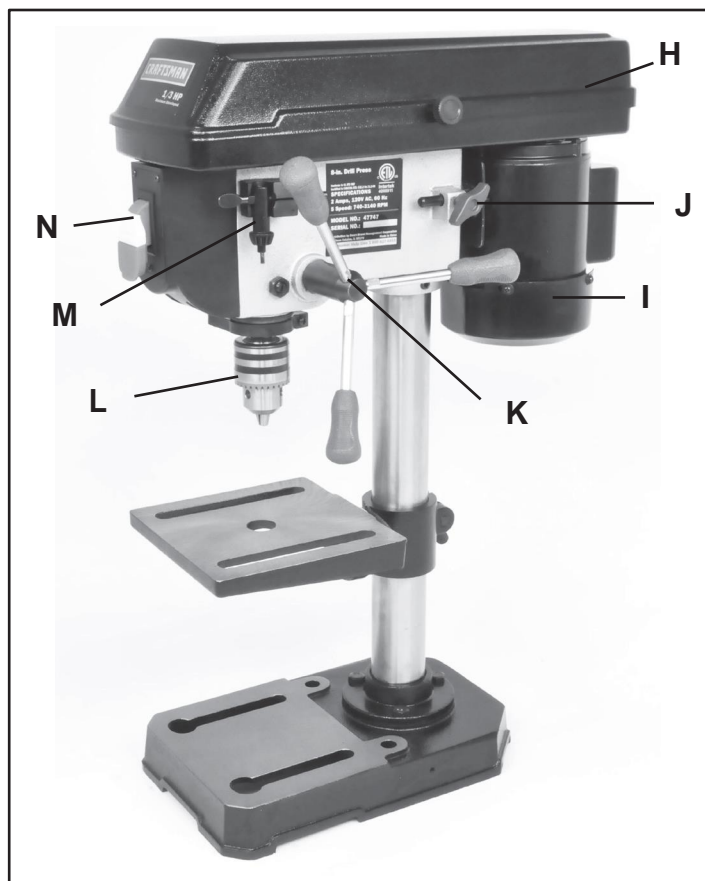
1. No opere la Prensa Taladradora hasta que esté ensamblada y haya leído las instrucciones.
2. No opere la Prensa Taladradora a menos que esté familiarizado con su operación segura. Si no está familiarizado con la operación de una Prensa Taladradora, solicite consejos de un individuo calificado.
3. Si usa una Prensa Taladradora de mesa, debe estar bien sujeto a una plataforma o a un banco.
4. Si opera una Prensa Taladradora de piso, debe estar bien sujeto al suelo.
5. Siempre limpie la mesa y el área de trabajo antes de prender la Prensa Taladradora.
6. Siempre utilice brocas, herramientas de corte, y accesorios con espigas de 1/2" o menos.
7. Nunca ponga las manos cerca de la broca, la herramienta de corte, o el accesorio.
8. Nunca se ponga ropa suelta, guantes, o corbatas mientras opera la Prensa Taladradora. Sujete su cabello suelto hacia atrás.
9. Siempre tenga una base sólida mientras opera la Prensa Taladradora.
10. Siempre mantenga la superficie y las áreas de trabajo libres de escombros.
11. Nunca intente hacer trabajos de instalación, ensamblaje, o diagramación en la Prensa Taladradora mientras está en operación.
12. Nunca encienda la Prensa Taladradora cuando la broca, herramienta de corte, o accesorio esté en contacto con la pieza de trabajo.
13. Siempre bloquee todos los cerrojos de mesa, columna y cabezal antes de prender la Prensa Taladradora.
14. Nunca opere la Prensa Taladradora con una broca, herramienta de corte, o accesorio dañado.
15. Siempre compruebe que la broca, herramienta de corte, o accesorio estén apretados en el mandril.
16. Nunca opere la Prensa Taladradora con la llave de ajuste en el mandril.
17. Siempre ajuste el tope de profundidad para evitar taladrar la superficie de la mesa.
18. Nunca taladre ningún material a menos que esté apropiadamente sostenido. Piezas de trabajo que no son planas necesitan soporte adicional.
19. Siempre sujete la pieza de trabajo a la mesa.
20. Siempre soporte piezas de trabajo grandes a la misma altura que la mesa.
21. Nunca quite la pieza de trabajo ni limpie la mesa hasta que la Prensa Taladradora se detenga por completo.
22. Siempre use una mascarilla y gafas de seguridad mientras opera la Prensa Taladradora.
23. Nunca opere la Prensa Taladradora si falta alguna parte, o si tiene partes dañadas, gastadas, sueltas, o defectuosas.
24. Nunca debe de ajustar, cambiar velocidades, o hacer mantenimiento en la Prensa Taladradora mientras se está operando.
25. Siempre limpie la superficie y área de trabajo al terminar de operar la Prensa Taladradora.
26. Siempre desenchufe la Prensa Taladradora antes de hacer cualquier ajuste o mantenimiento.
27. Siempre desenchufe la Prensa Taladradora al terminar de usarla para evitar que opere de manera accidental.

**AVISO DE LA PROPUESTA 65 DE CALIFORNIA:** Algunos polvos creados por lijar, serrar, moler, taladrar, y otras actividades de construcción contienen químicos que son conocidos por el Estado de California por causar cáncer, defectos de nacimiento, u otros daños reproductivos. Su riesgo de ser expuesto a estos químicos varía, dependiendo de la frecuencia con que hace este tipo de trabajo. Para reducir su exposición a estos químicos, trabaje en un área con buena ventilación y con equipos de seguridad aprobados, como máscaras para polvo que son diseñadas específicamente para filtrar partículas microscópicas.

## CONOZCA A SU MÁQUINA



- A. Base
- B. Manija de bloqueo de mesa
- C. Mesa
- D. Tornillo de bloqueo para fijar la inclinación de la mesa
- E. Tubo de soporte de columna
- F. Resorte de retorno de la manija
- G. Tope de profundidad



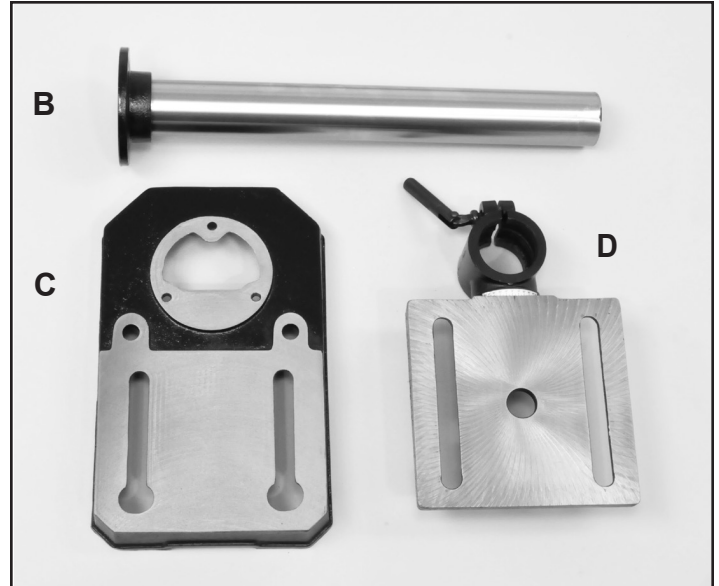
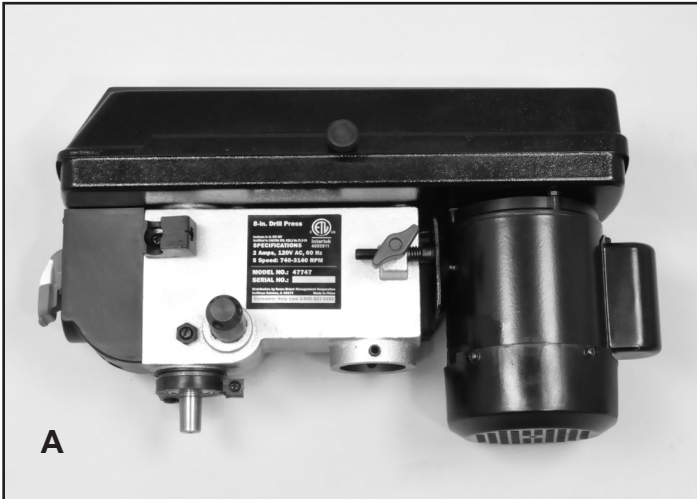
- H. Cubrecorreas
- I. Motor
- J. Perilla de ajuste del motor/de la correa
- K. Manijas de avance
- L. Mandril
- M. Llave y soporte del mandril
- N. Interruptor de seguridad

## CONTENIDO DEL PAQUETE

### Desempacar y Limpiar

1. Retire cuidadosamente todo el contenido de la caja de envío. Antes de desechar cualquier material de embalaje, compare el contenido con la lista de contenido para asegurarse de tener cada parte. Coloque las partes en una superficie protegida para facilitar su identificación y ensamblaje. Si falta alguna parte, o si alguna parte está rota o perdida, favor de llamar al Servicio al cliente de Craftsman o Asistencia técnica en 877-866-8392 (L-V 8:30 - 5 PM EST.) tan pronto como sea posible para pedir reemplazos. **NO PRENDA** su máquina si falta algo. Puede causar lesiones a sí mismo o daños a la máquina.
2. Informe a su distribuidor local acerca de cualquier daño de envío.
3. Limpie todas las superficies protegidas contra el óxido con un quitagrasas o quitamanchas ordinario. No utilice; gasolina, diluyente, alcohol, minerales, etc. Estos pueden dañar las superficies pintadas.
4. Aplique una capa de cera en pasta a la mesa para evitar que se oxide. Limpie bien cada parte con un paño limpio y seco.
5. Coloque el material de embalaje y la caja de envío a un lado. No deseche nada hasta que la máquina se haya ensamblado y funcione correctamente.

## CONTENIDO DEL PAQUETE



### LISTA DE PARTES SUELTAS

- A. Montaje de Cabeza de la Prensa Taladradora
- B. Montaje de Columna
- C. Base
- D. Montaje de Mesa
- E. Manijas de Alimentación (3)
- F. Mandril de 1/2"
- G. Llave de Ajuste del Mandril
- H. Pernos de Montaje de Columna (3)
- I. Llave Hexagonal de 4 mm
- J. Manual del Usuario (no se muestra)

## INSTALACIÓN

### MOVER E INSTALAR LA PRENSA TALADRADORA

1. Para mover la Prensa Taladradora, aguarde tanto la columna como debajo de la base de la prensa taladradora para levantar y mover la máquina.

**PRECAUCIÓN:** La cabeza de la Prensa Taladradora junto con el motor pesa más en la parte superior. Debe permanecer en posición vertical para evitar que se vuelque.

2. Asegure la máquina sobre un soporte sólido, o un banco, en una área lo suficientemente amplia para poder trabajar y mover piezas de trabajo alrededor la Prensa Taladradora, tanto en la parte delantera como en los lados.

3. Para mejor alimentación y seguridad, enchufe la máquina en un tomacorriente dedicado con conexión a tierra a una distancia no mayor

al largo del cable de la máquina. **NO SE RECOMIENDA USAR ALARGADOR ELÉCTRICO.**

4. Alinee la máquina de modo que ningún proyecto, escombros, o contragolpe dará con pasillos, entradas, u otras áreas de trabajo donde otras personas podrían estar. No se debe ubicar ni usar la máquina en lugares húmedos o mojados.

5. Una vez que esté en su sitio, asegúrese de que la máquina esté nivelada. Asegure la máquina a un banco o a un soporte, con tornillos de cabeza cuadrada o pernos (no incluidos). Esto evitará que la prensa taladradora se vuelque, y disminuirá cualquier vibración posible durante el uso.

# ENSAMBLAJE



**LA MÁQUINA NO DEBE DE ENCHUFARSE Y EL INTERRUPTOR DEBE ESTAR APAGADO ("OFF") HASTA QUE SE HAYA COMPLETADO EL ENSAMBLAJE.**

## Herramientas Necesarias para el Ensamblaje:

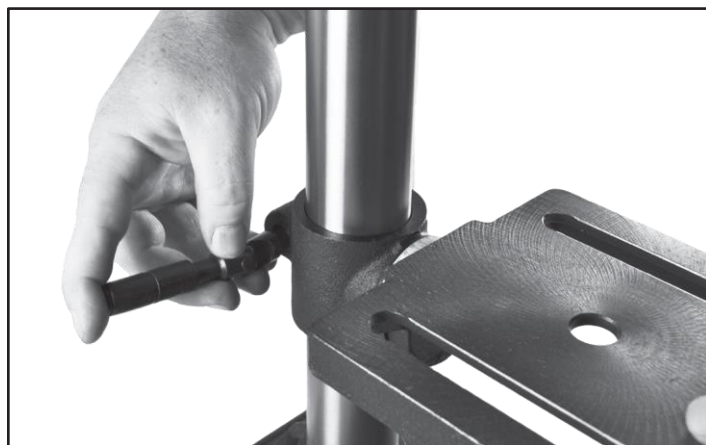
- Llave Ajustable o de 13mm
- Mazo o Martillo de Goma con Bloque de Madera

1. Instale la columna en la base con los tres pernos de montaje de columna. FIG. 1.



**FIG. 1**

2. Si no vino instalada desde la fábrica, instale la manija de bloqueo de mesa a través del agujero sin rosca hacia la izquierda del soporte de la mesa. La manija debe enroscarse con la rosca del lado derecho del soporte de la mesa. FIG. 2.



**FIG. 2**

NOTA: Al aflojar la manija de bloqueo de la mesa, asegúrese de sujetar la mesa en su lugar con la otra mano. Esto evitará que la mesa se deslice hacia abajo en la columna, lo cual podría dañar la mesa o la pieza de trabajo.

3. Deslice la cabeza de la prensa taladradora sobre la columna y céntrala sobre la mesa y la base. FIG. 3.



**FIG. 3**

El Diagrama y la Lista de Partes se enumeran en las páginas 18 y 19.

Se puede pedir partes de repuesto llamando al (1-888-331-4569)  
[www.sears.com](http://www.sears.com)

# ENSAMBLAJE



**WARNING**

LA MÁQUINA NO DEBE DE ENCHUFARSE Y EL INTERRUPTOR DEBE ESTAR APAGADO ("OFF") HASTA QUE SE HAYA COMPLETADO EL ENSAMBLAJE.

4. Apriete la cabeza de la prensa taladradora en lugar en la columna mediante el bloqueo de los tornillos hexagonales en ambos lados de la pieza fundida. FIG. 4.

**NOTA:** El agujero de montaje del mandril y el husillo tienen que estar libres de cualquier protección contra grasa u óxido antes que se instalen juntos en el número 5. Utilice un quitagrasas normal para limpiar estas superficies de contacto.

5. Deslice el mandril de 1/2" (Fig. 5, A) sobre el husillo preinstalado (B). Abra las mordazas completamente y golpee suavemente con un mazo o martillo de goma y un bloque de madera para ubicarlo. Esto asentará el mandril correctamente sobre el husillo.

**NOTA:** NUNCA GOLPEE el montaje del mandril CON UN MARTILLO DE METAL. Esto podría dañar el montaje del mandril o husillo.

6. Instale las tres palancas de avance en los agujeros roscados en el cubo del eje de avance. FIG. 6, A.

**NOTA:** Se puede quitar una o dos de las palancas de avance si una pieza de trabajo de forma irregular interfiere con su rotación. Al terminar de taladrar, la(s) palanca(s) eliminadas tienen que volver a instalarse en la máquina de inmediato para evitar cualquier problema de seguridad en el futuro.

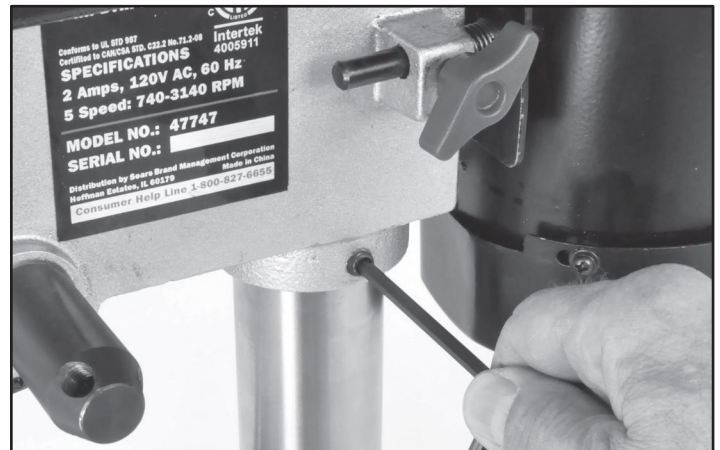


FIG. 4

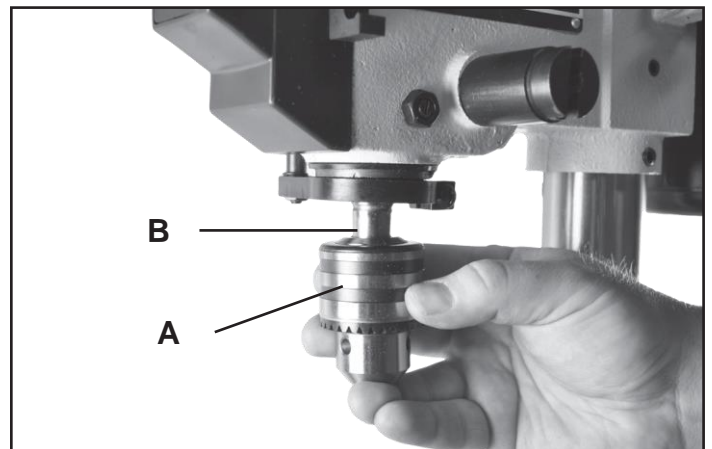


FIG. 5

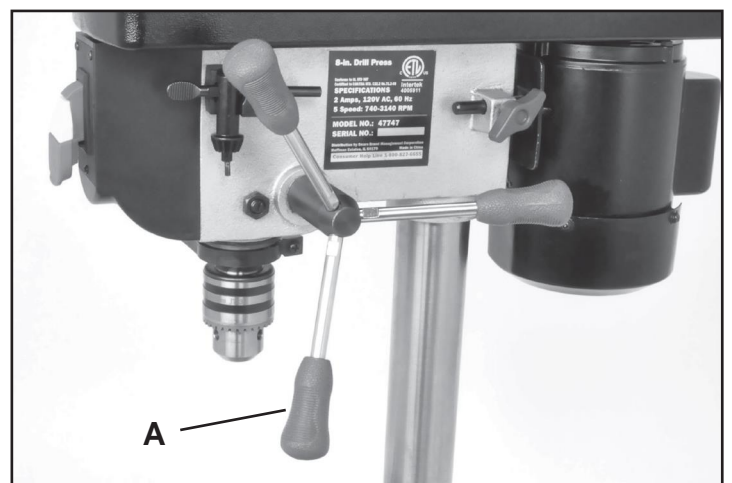


FIG. 6

# AJUSTES

7. **TOPE DE PROFUNDIDAD:** El tope de profundidad y la escala se encuentran en el lado izquierdo del interruptor. Para ajustar, baje el mandril hasta que el puntero muestre la profundidad deseada en la escala. Afloje la tuerca inferior en el eje roscado (FIG. 7, A) hasta que toque fondo en el cabezal fundido (B). Apriete la tuerca superior contra la tuerca inferior para mantener el ajuste.

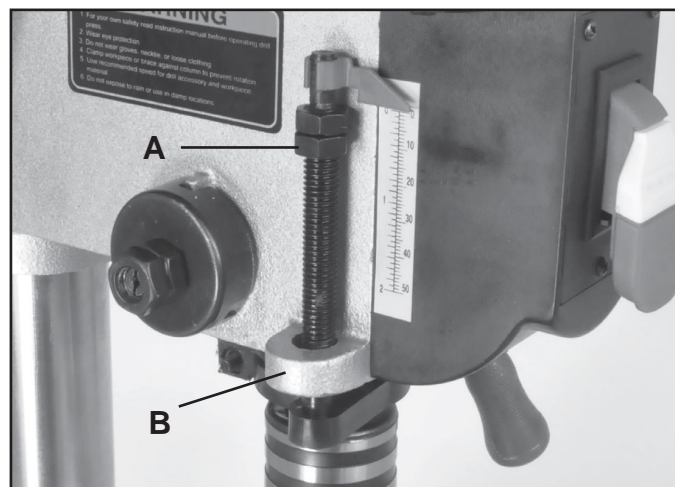


FIG. 7

8. **INCLINACIÓN DE LA MESA:** La mesa de la prensa taladradora se inclinará de 0 a 45 grados hacia la izquierda y derecha. Para inclinar, afloje la tuerca debajo de la mesa (Fig. 8, A). Alinee la marca "cero" en la mesa (FIG. 9, B) con el grado en la escala que desea.

Apriete la tuerca debajo de la mesa para mantener el ajuste.

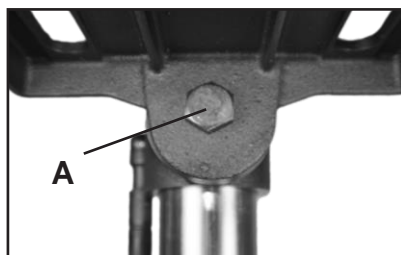


FIG. 8

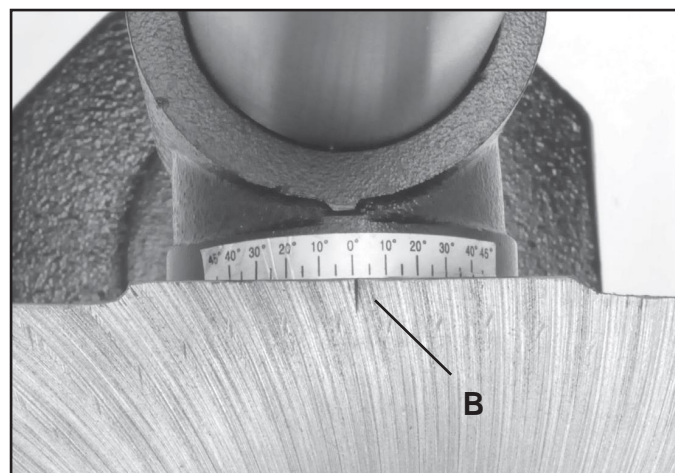


FIG. 9

9. **TENSIÓN DEL RESORTE DEL HUSILLO:** La tensión del resorte de retorno del husillo puede necesitar ajustarse si el husillo se vuelve muy rápido o muy lento.

- A. Coloque un destornillador en la ranura delantera inferior de la tapa del resorte (2). Manténgala en posición mientras la afloje y quite solamente la tuerca exterior (3).
- B. Con el destornillador aún enganchado en la ranura, afloje la tuerca interior (4) hasta que la ranura (5) se desenganche de la protuberancia (6) en la cabeza de la Prensa Taladradora.

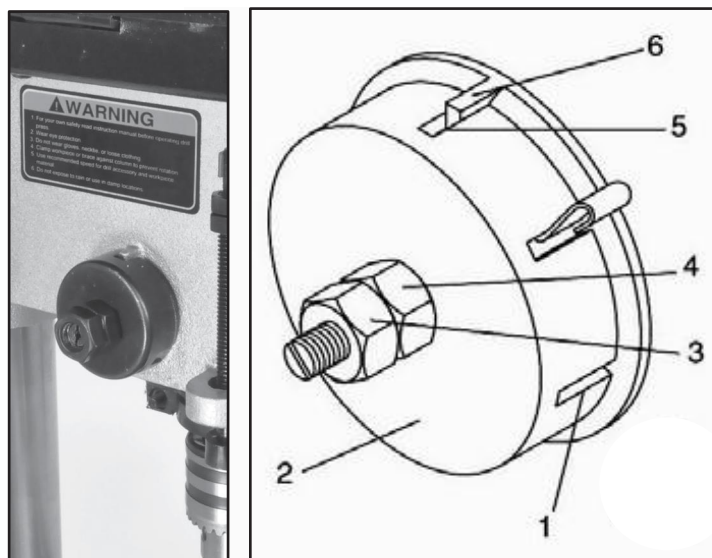


FIG. 10

**PRECAUCIÓN:** NO quite esta tuerca interior(4), porque el resorte desenrollará fuertemente.  
CONTINÚE EN LA PÁGINA 12

# AJUSTES

## 9. TENSION DEL RESORTE DEL HUSILLO - continuación de lo anterior

- C. Vire la tapa del resorte (2) cuidadosamente hacia la izquierda con el destornillador hasta enganchar en la siguiente ranura. FIG. 10.
- D. Baje el husillo hasta la posición más baja, siempre manteniendo la tapa del resorte (2) en posición.
- E. Cuando el husillo se mueve hacia arriba y abajo con la facilidad deseada, apriete la tuerca interior.

(4) con una llave. Si resulta muy flojo, repita los pasos 2 a 4 para apretarlo. Si resulta muy apretado, invierta los pasos 3 y 4. **NO LO APRIETE DEMASIADO** a causa de esto se limitará el movimiento del husillo.

- F. Vuelva a colocar la tuerca de bloqueo de afuera(3) y apriétela contra la tuerca interior (4) para evitar que la tuerca interior se invierta.

**⚠ WARNING** LA MÁQUINA NO DEBE DE ENCHUFARSE Y EL INTERRUPTOR DEBE ESTAR APAGADO ("OFF") HASTA QUE SE HAYA COMPLETADO TODOS LOS AJUSTES.



FIG. 11

## 10. CAMBIAR LA VELOCIDAD DEL HUSILLO: La Prensa Taladradora 47747 tiene cinco velocidades del husillo. Para cambiar;

- A. Levante el cubrecorreas con la manija para revelar las poleas del motor y husillo y la correa. FIG. 11.
- B. Afloje la perilla de bloqueo del motor (FIG. 12, A), y luego mueva el motor (B) manualmente hacia la palanca de avance para aliviar la tensión de la correa.
- C. Cambie la correa a la posición de velocidad deseada - refiérase a la tabla de velocidades dentro del cubrecorreas.

Hay Cinco Velocidades disponibles:  
740, 1100, 1530, 2100, 3140 RPM

- D. Aleje el motor la palanca de avance manualmente hasta que la correa está tensada, luego apriete el tornillo de bloqueo del motor.

**NOTA:** La correa está correctamente tensada cuando la distancia de desviación es de aproximadamente 3/8" a 1/2" cuando se empuja con la mano. FIG. 13.

- E. Cuando se establece la velocidad deseada y el motor está bloqueado en su lugar, cierre el cubrecorreas, y enchufe la máquina para seguir taladrando.

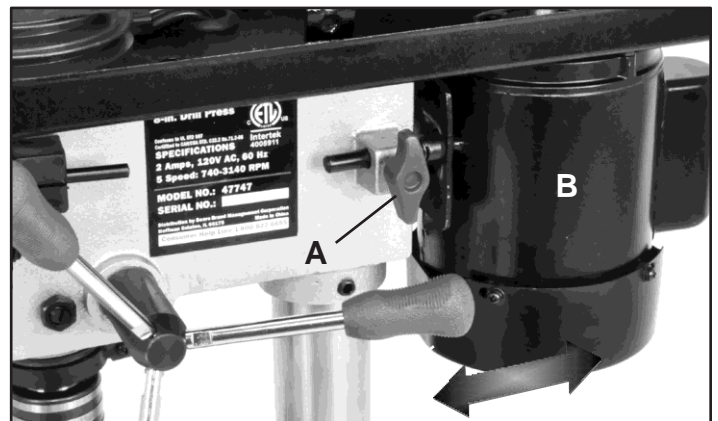


FIG. 12

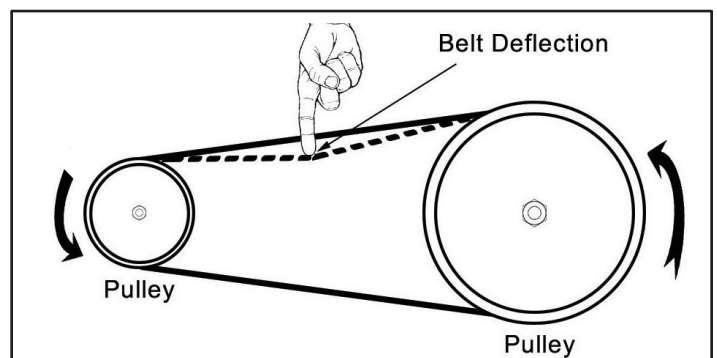


FIG. 13



# OPERACIÓN

## 1. Instalando una broca

See Fig. 14

- Con el interruptor "OFF", abrir el chuck mandíbulas (1) usando el chuck clave (2). Gire el chuck clave las agujas del reloj para abrir el chuck mandíbulas (1).
  - Inserte la broca (3) en el chuck lo suficiente para obtener el máximo agarre de las mandíbulas, pero no lo suficiente para tocar el espiral surcos (flautas), de la broca cuando las mandíbulas se estrechan.
  - Asegúrese de que el taladro está centrada en la broca.
  - Gire el chuck clave las agujas del reloj para endurecer los maxilares.
- ADVERTENCIA:** Para evitar lesiones o accidentes por el chuck clave ejection obligatoriamente de la chuck cuando se conecta la alimentación, siempre verifique nuevamente y quitar el chuck clave antes de encenderlos.

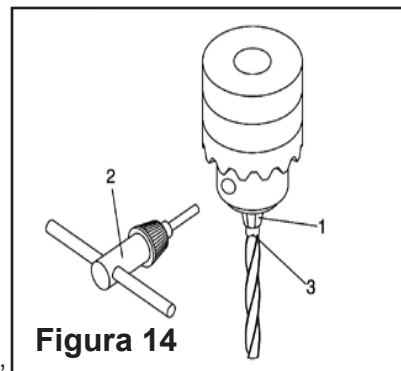


Figura 14

## 2. Posicionamiento Pieza

Para evitar que la pieza o material de apoyo de ser arrancados de sus manos mientras que la perforación, debe colocar, en contra de la parte izquierda de la columna. El no hacer esto podría resultar en lesiones personales.

See Fig.15

## 3. Utilizando Vise

Para la pequeña pieza que no puede ser sujetado a la tabla, utilice una prensa perforadora vise. El sargento debe ser reprimido o atornillados a la tabla.

**ADVERTENCIA:** La taladradora vise debe ser reprimido o atornillados a la mesa para evitar daños en caso de un hilado pieza o dañado sargento o poco partes.

See Fig.15

## 4. Taladrar un agujero, Agujerear

Mediante el uso de un centro o una inserción uñas afiladas, hacer una sangría en la pieza donde usted quiere perforar. Gire el interruptor de la alimentación y bajar las manijas de alimentación sólo lo suficiente para permitir que el taladro para cortar.

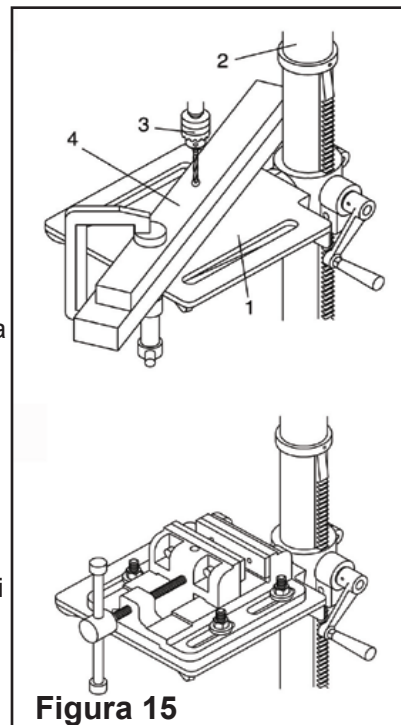


Figura 15

## LA PERFORACIÓN A UNA PROFUNDIDAD ESPECÍFICA

Perforar un orificio ciego (no a todos el camino a través de la pieza) a una profundidad dada se puede hacer de dos maneras:

### Pieza método (Figura 16 y 17)

- Marca la profundidad (2) del agujero en el lateral de la pieza. (1)(Figura 16).
- Con el interruptor "OFF", traerá la broca (2) hacia abajo hasta la punta del dedo es incluso con la marca (Figura 16).
- Mantenga los alimentos manejar en esta posición.
- Haga girar la tuerca del cable inferior (3) hacia abajo para ponerse en contacto con la profundidad stop lug (6) en la cabeza (Figura 17).
- Haga girar la tuerca superior (5) hacia abajo y apriete contra la tuerca del cable inferior (3) (Figura 17).
- La broca se deja ahora después de recorrer la distancia marcada en la pieza.

### Profundidad escala método (Figura 17)

- Con el interruptor "OFF", gire el alimentar manejar hasta que el puntero (7) apunta a la profundidad deseada en el fondo escala (4) y celebrar los piensos manejar en esa posición.
- Haga girar la tuerca del cable inferior (3) hacia abajo para ponerse en contacto con la profundidad stop lug (6).
- Haga girar la tuerca superior (5) contra el menor parar tuerca y apriete.
- La broca se detendrá después de recorrer la distancia seleccionada sobre la profundidad escala.

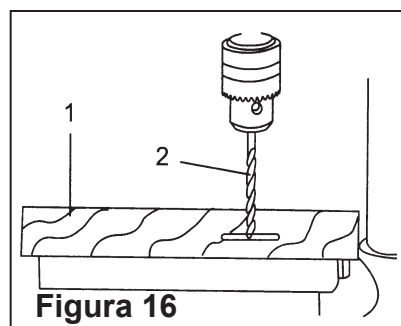


Figura 16

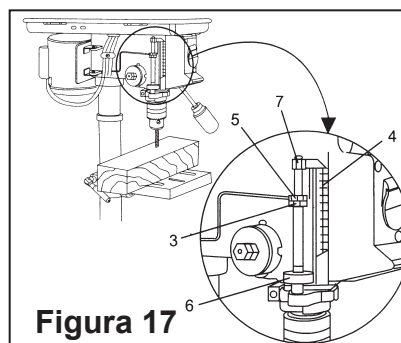


Figura 17

# OPERACIÓN

## 4. Corregir la perforación velocidades

**ADVERTENCIA:** asegúrese de prensa perforadora está apagada y está desconectada sours antes de ajustar las velocidades.

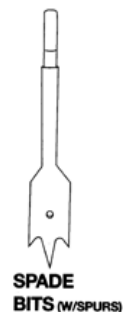
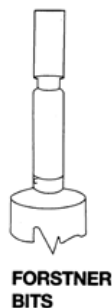
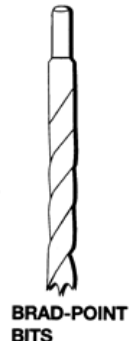
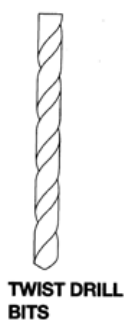
Utilizar la velocidad recomendada para la broca y pieza.

Las brocas que pueden ser utilizadas pueden verse en la figura siguiente:

### Recomendó Las velocidades de operación (in RPMS)

|                                  | MADERA<br>BLANDA | MADERA<br>DURA | ACRÍLICO | LATÓN | ALUMINIO | ACERAR |
|----------------------------------|------------------|----------------|----------|-------|----------|--------|
| <b>BROCAS BITS</b>               |                  |                |          |       |          |        |
| 1/16-3/16" (3-5mm)               | 3000             | 3000           | 2500     | 3000  | 3000     | 3000   |
| 1/4-3/8" (6-10mm)                | 3000             | 1500           | 2000     | 1200  | 2500     | 1000   |
| 7/16-5/8" (11-16mm)              | 1500             | 750            | 1500     | 750   | 1500     | 600    |
| 11/16-1" (11-25mm)               | 750              | 500            | NR       | 400   | 1000     | 250    |
| <b>BRAD-PUNTO BITS</b>           |                  |                |          |       |          |        |
| 1/8"                             | 1800             | 1200           | 1500     | NR    | NR       | NR     |
| 1/4"                             | 1800             | 1000           | 1500     | NR    | NR       | NR     |
| 3/8"                             | 1800             | 750            | 1500     | NR    | NR       | NR     |
| 1/2"                             | 1800             | 750            | 1000     | NR    | NR       | NR     |
| 5/8 "                            | 1800             | 500            | 750      | NR    | NR       | NR     |
| 3/4"                             | 1400             | 250            | 750      | NR    | NR       | NR     |
| 7/8"                             | 1200             | 250            | 500      | NR    | NR       | NR     |
| 1"                               | 1000             | 250            | 200      | NR    | NR       | NR     |
| <b>FORSTNER BITS</b>             |                  |                |          |       |          |        |
| 1/4-3/8"                         | 2400             | 700            | 250      | NR    | NR       | NR     |
| 1/2-5/8"                         | 2400             | 500            | 250      | NR    | NR       | NR     |
| 3/4-1"                           | 1500             | 500            | 250      | NR    | NR       | NR     |
| 1-1/8-1 1/4"                     | 1000             | 250            | 250      | NR    | NR       | NR     |
| 1-3/8-2"                         | 500              | 250            | NR       | NR    | NR       | NR     |
| <b>AZADÓN BITS</b>               |                  |                |          |       |          |        |
| 1/4-1/2"                         | 2000             | 1500           | NR       | NR    | NR       | NR     |
| 5/8-1-1/2"                       | 1750             | 1500           | NR       | NR    | NR       | NR     |
| 1-1/8-1-1/2"                     | 1500             | 1000           | NR       | NR    | NR       | NR     |
| <b>AZADÓN BITS CON ESPOLONES</b> |                  |                |          |       |          |        |
| 3/8-1"                           | 2000             | 1800           | 500      | NR    | NR       | NR     |

NR - No se recomienda



## MANTENIMIENTO

**⚠ WARNING:** Antes de realizar ajustes o mantenimiento de la máquina, apague el interruptor ("OFF") y desenchúfela. NO INTENTE arreglar ni mantener los componentes eléctricos del motor. Contacte a un técnico calificado para este tipo de mantenimiento.

1. Antes de cada uso:

- Inspeccione el cable de alimentación y el enchufe por cualquier desgaste o daño.
- Verifique que no haya hardware o tornillos sueltos.
- Inspeccione el área para asegurar que esté libre de herramientas extraviadas, madera, productos de limpieza, etc. que podrían afectar la operación segura de la prensa taladradora.

2. Para evitar acumulación de polvo de madera, limpie todas las partes de la máquina regularmente con un paño suave, un cepillo, o aire comprimido. Se debe realizar una limpieza general después de cada uso para evitar problemas futuros y asegurar que la máquina está lista para la próxima vez que se utiliza.

**AVISO:** Si va a soplar aserrín, utilice protección adecuada para los ojos para evitar que los residuos entren a los ojos.

3. Mantenga la mesa, la columna, y la base libres de resina y óxido. Límpielas regularmente con un disolvente no inflamable y luego cubra con una capa fina de spray de lubricante seco, o cera, para mantener las superficies limpias. No utilice aceite normal, que recogerá polvo y dificultará la operación de la máquina.

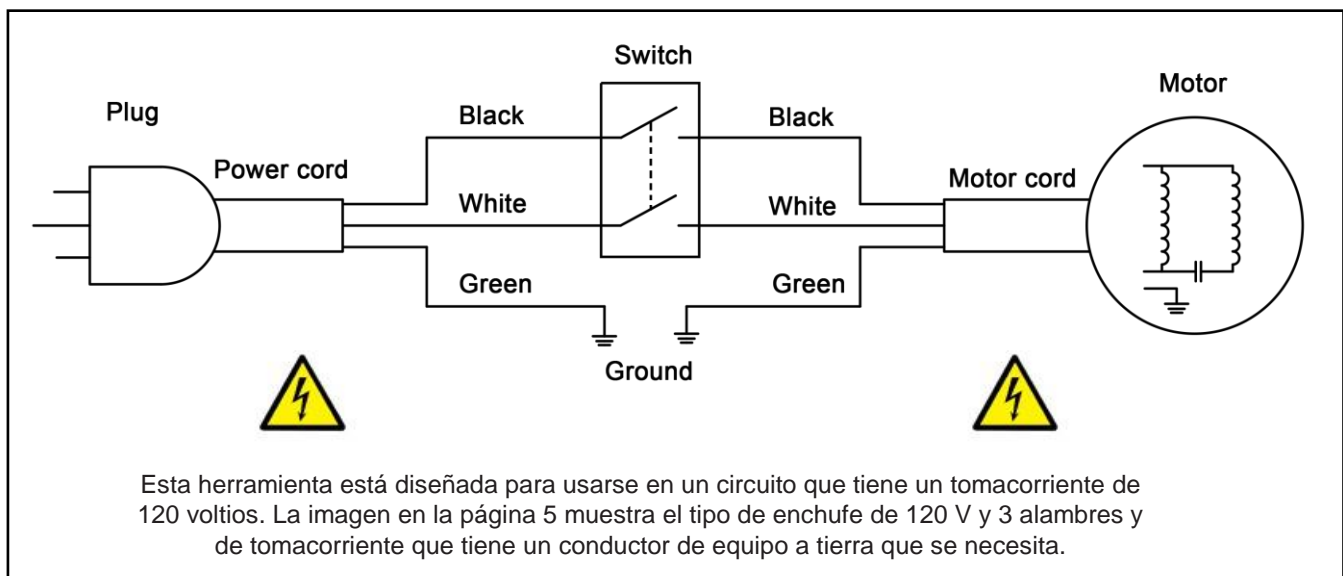
4. Todos los rodamientos son lubricados de por vida, sellados, y no necesita, más atención. Mantenga las correas libres de aceite y grasa.

5. Chequee la tensión de la correa después de las primeras 3 a 5 horas de operación para asegurarse de que las correas no se han estirado ni soltado por el uso. Véase la página 12 para instrucciones.

**NOTA:** Refiérase a las páginas 3-6 para más información acerca del uso apropiado de la máquina y la seguridad del usuario.

## DIAGRAMA DE CABLEADO

**⚠ WARNING:** Esta máquina se tiene que conectar a tierra. Solamente un electricista calificado debe reemplazar el cable de alimentación. Véase la página 5 para más información eléctrica.



# RESOLUCIÓN DE PROBLEMAS



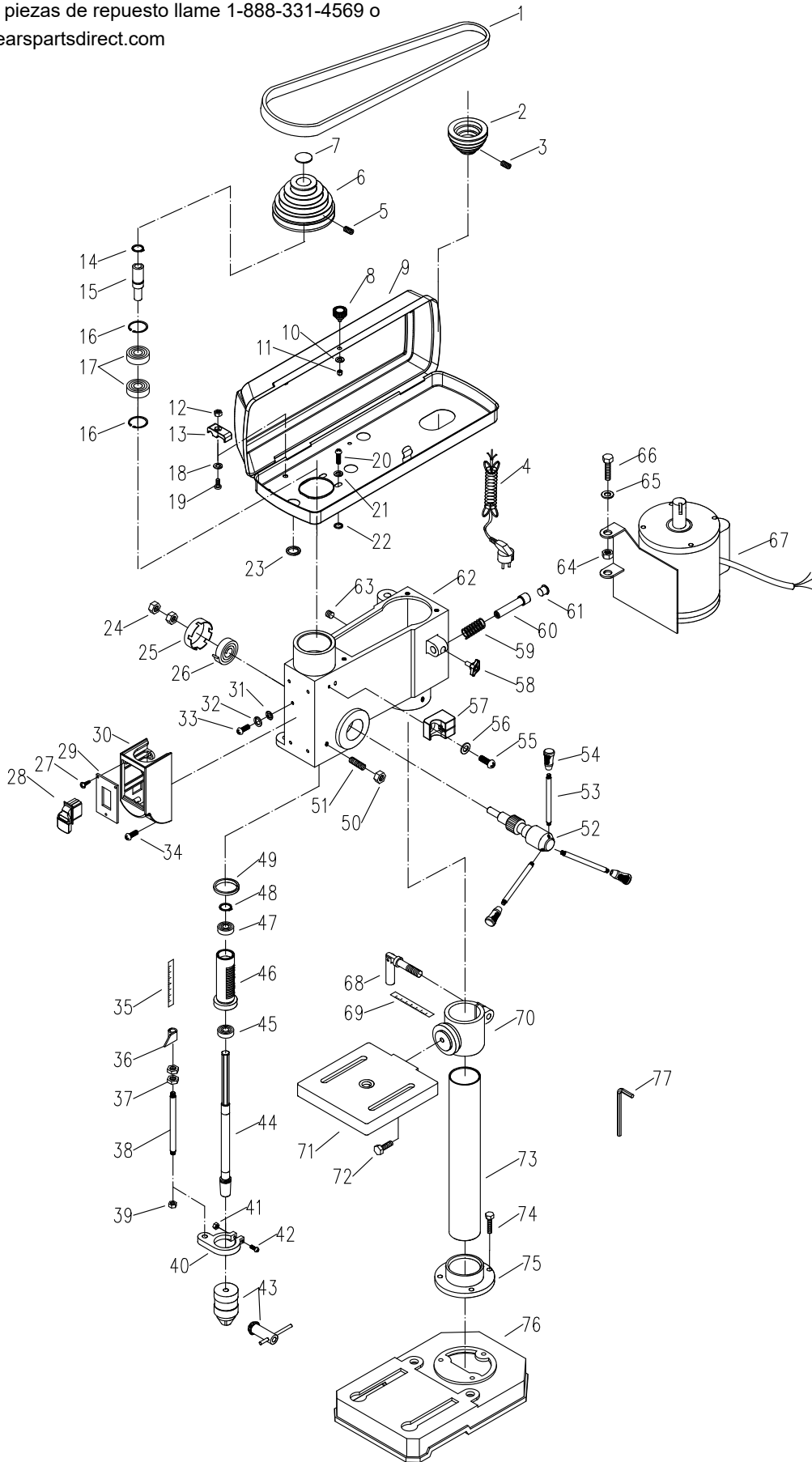
**LA MÁQUINA NO DEBE DE ENCHUFARSE Y EL INTERRUPTOR DEBE ESTAR APAGADO ("OFF") HASTA QUE SE HAYAN COMPLETADO LOS AJUSTES.**

| PROBLEMA   | CAUSA PROBABLE  | RESOLUCIÓN  |
|--|---|---|
| Motor no arranca                                     | <ol style="list-style-type: none"> <li>1. La máquina no está enchufada</li> <li>2. Voltaje bajo</li> <li>3. Conexión suelta</li> <li>4. Interruptor defectuoso</li> <li>5. Motor defectuoso</li> </ol>  | <ol style="list-style-type: none"> <li>1. Enchufe la máquina</li> <li>2. Chequee los fusibles o restablezca el disyuntor, deje de usar alargador, y enchufe la máquina directamente en el tomacorriente</li> <li>3. Chequee el enchufe y cada conexión</li> <li>4. Reemplace el interruptor</li> <li>5. Reemplace el Motor</li> </ol>                         |
| Motor no alcanza toda su potencia                    | <ol style="list-style-type: none"> <li>1. Línea eléctrica está sobrecargada</li> <li>2. Alambres muy pequeñas en el sistema de alimentación</li> <li>3. Tensión de la correa es muy alta</li> <li>4. Voltaje bajo</li> <li>5. Avería del motor</li> </ol>     | <ol style="list-style-type: none"> <li>1. Corrija la condición de sobrecarga</li> <li>2. Aumente el tamaño del alambre de alimentación o deje de usar alargador</li> <li>3. Ajuste la tensión de la correa</li> <li>4. Que un electricista chequee el voltaje y lo corrija, si es necesario</li> <li>5. Pruebe el motor para arreglar o reemplazar</li> </ol> |
| El motor se para                                     | <ol style="list-style-type: none"> <li>1. La broca perfora mucho en el material</li> <li>2. La broca no tiene filo</li> <li>3. Avería del motor, no alcanza su velocidad</li> </ol>   | <ol style="list-style-type: none"> <li>1. Velocidad de avance más lento de la broca</li> <li>2. Afile o cambie la broca</li> <li>3. Chequee el condensador del motor y el voltaje de la línea</li> </ol>  |
| El motor se recalienta                               | <ol style="list-style-type: none"> <li>1. El motor esta sobrecargado</li> <li>2. Flujo de aire reducido en el motor</li> </ol>  | <ol style="list-style-type: none"> <li>1. Disminuya la carga y la velocidad de avance</li> <li>2. Limpie el motor para aumentar el flujo de aire</li> </ol>   |
| Operación ruidosa                                    | <ol style="list-style-type: none"> <li>1. Vibración excesiva de la máquina</li> <li>2. Husillo seco</li> <li>3. Poleas flojas</li> <li>4. Motor ruidoso</li> </ol>  | <ol style="list-style-type: none"> <li>1. Apriete partes sueltas. Asegure la prensa taladradora al piso o al base contrachapado</li> <li>2. Lubrique el husillo, eje del contrapunto, etc.</li> <li>3. Haga las correcciones necesarias</li> <li>4. Chequee ventilador y rodamientos del motor</li> </ol>   |
| La broca o material se quema o echa humo             | <ol style="list-style-type: none"> <li>1. Velocidad de taladrado es muy rápido</li> <li>2. Las astillas no se salen del agujero</li> <li>3. Broca no tiene filo</li> <li>4. La broca de avance es muy lenta</li> <li>5. La broca no está lubricada</li> </ol> | <ol style="list-style-type: none"> <li>1. Disminuya la velocidad de taladrado</li> <li>2. Eleve la broca con frecuencia para limpiar astillas</li> <li>3. Cambie o afile la broca</li> <li>4. Aumente la velocidad de avance</li> <li>5. Lubrique la broca. Asegure que las brocas y flautas no tienen óxido, acumulación de resina, etc.</li> </ol>          |
| La broca erra o tambalea                             | <ol style="list-style-type: none"> <li>1. La broca no se instaló en el mandril correctamente</li> <li>2. La broca se afiló incorrectamente</li> <li>3. La broca está doblada o la espiga está dañada</li> </ol>   | <ol style="list-style-type: none"> <li>1. Reinstale la broca en las mordazas correctamente</li> <li>2. Afile la broca correctamente o reemplácela</li> <li>3. Reemplace la broca</li> </ol>   |
| Broca se atasca en la pieza de trabajo               | <ol style="list-style-type: none"> <li>1. Pieza de trabajo aprieta la broca</li> <li>2. Velocidad excesiva de avance</li> <li>3. Las mordazas no aguantan la broca seguramente</li> </ol>   | <ol style="list-style-type: none"> <li>1. Apoyar o sujetar a la pieza de trabajo</li> <li>2. Disminuya la velocidad de avance</li> <li>3. Apriete las mordazas sobre la broca</li> </ol>  |
| La broca se desliza                                  | <ol style="list-style-type: none"> <li>1. La broca no está segura en el mandril</li> </ol>  | <ol style="list-style-type: none"> <li>1. Reinstale la broca en el mandril y apriétela</li> </ol>   |
| Astillas en la parte inferior de la pieza de trabajo | <ol style="list-style-type: none"> <li>1. No hay material de soporte debajo de la pieza de trabajo</li> </ol>   | <ol style="list-style-type: none"> <li>1. Utilice una tabla de desecho o contrachapado (madera terciada) debajo de la pieza de trabajo para soporte mientras la broca perfora el trabajo</li> </ol>   |
| Eje del contrapunto se vuelve muy lento o muy rápido | <ol style="list-style-type: none"> <li>1. Resorte de retorno del husillo tiene la tensión incorrecta</li> </ol>   | <ol style="list-style-type: none"> <li>1. Ajuste la tensión del resorte de retorno del husillo</li> </ol>   |



# DIAGRAMA DE PIEZAS

Para comprar piezas de repuesto llame 1-888-331-4569 o  
visitar [www.searspartsdirect.com](http://www.searspartsdirect.com)



Prensa Taladradora de 8 pulgadas de Craftsman 124.47747

# LISTA DE PARTES

| NUM. DE DIAG. | DESCRIPCIÓN                     | CANT. | NUM. DE FABRICANTE | NUM. DE DIAG. | DESCRIPCIÓN                    | CANT. | NUM. DE FABRICANTE |
|---------------|---------------------------------|-------|--------------------|---------------|--------------------------------|-------|--------------------|
| 1             | Correa trapezoidal              | 1     | 39KK670            | 40            | Collar del eje del contrapunto | 1     | 2101400400         |
| 2             | Polea del motor                 | 1     | 2101100110         | 41            | Tuerca hexagonal               | 1     | 34105              |
| 3             | Tornillo prisionero             | 1     | 31706008           | 42            | Tornillo de cabeza alomada     | 1     | 32105025           |
| 4             | Cable                           | 1     | 41CULK1822         | 43            | Mandril con llave              | 1     | 38JT33             |
| 5             | Tornillo prisionero             | 1     | 31706008           | 44            | Husillo                        | 1     | 2101800400         |
| 6             | Polea de husillo                | 1     | 2101100210         | 45            | Rodamiento                     | 1     | 376201             |
| 7             | Tapa de polea                   | 1     | 2101401500         | 46            | Eje del contrapunto            | 1     | 2101100400         |
| 8             | Perilla de la caja de la correa | 1     | 2111400100         | 47            | Rodamiento                     | 1     | 376201             |
| 9             | Caja de la correa               | 1     | 2101500210         | 48            | Anillo de retención            | 1     | 37112              |
| 10            | Arandela plana                  | 1     | 35105              | 49            | Arandela de caucho             | 1     | 2101400500         |
| 11            | Tuerca                          | 1     | 34205              | 50            | Tuerca hexagonal               | 1     | 34108              |
| 12            | Tuerca hexagonal                | 2     | 34105              | 51            | Tornillo prisionero            | 1     | 31808016           |
| 13            | Sujetacables                    | 2     | 2102400800         | 52            | Eje de engranaje               | 1     | 2101800700         |
| 14            | Anillo de retención             | 1     | 37122              | 53            | Palanca de avance              | 3     | 2101800800         |
| 15            | Manguito                        | 1     | 2101600101         | 54            | Perilla                        | 3     | 2114400200         |
| 16            | Anillo de retención             | 2     | 37240              | 55            | Arandela plana                 | 1     | 35105              |
| 17            | Rodamiento                      | 2     | 376203             | 56            | Tornillo de cabeza alomada     | 1     | 32105010           |
| 18            | Arandela plana                  | 2     | 35105              | 57            | Asiento para la llave del      | 1     | 2101401900         |
| 19            | Tornillo de cabeza alomada      | 2     | 32105016           | 58            | Tornillo de mariposa           | 1     | 2101401300         |
| 20            | Tornillo de cabeza alomada      | 4     | 32106010           | 59            | Resorte                        | 1     | 2101700200         |
| 21            | Arandela plana                  | 4     | 35106              | 60            | Eje de empuje                  | 1     | 2101800900         |
| 22            | Arandela de caucho              | 4     | 2101400200         | 61            | Tapa                           | 1     | 2101400900         |
| 23            | Cojinete                        | 2     | 2112400100         | 62            | Cabeza                         | 1     | 2102100100         |
| 24            | Tuerca hexagonal                | 2     | 34410A             | 63            | Tornillo prisionero            | 2     | 31708008           |
| 25            | Aislador de resorte &           | 1     | 2114500400         | 64            | Tuerca hexagonal               | 2     | 34108              |
| 26            | Resorte                         | 1     |                    | 65            | Arandela plana                 | 4     | 35108              |
| 27            | Tornillo autorroscante          | 3     | 32329065           | 66            | Perno de cabeza hexagonal      | 2     | 33108025           |
| 28            | Interruptor                     | 1     | 44HY181R24         | 67            | Motor                          | 1     | M11126025353       |
| 29            | Placa de interruptor            | 1     | 2102400510         | 68            | Manija de bloqueo              | 1     | 2101801028         |
| 30            | Caja de interruptor             | 1     | 2102400410         | 69            | Escala de ángulo               | 1     | 2101900200         |
| 31            | Arandela dentada                | 2     | 35405              | 70            | Soportedemesa                  | 1     | 2101100500         |
| 32            | Arandela de bloqueo             | 2     | 35305              | 71            | Mesa                           | 1     | 2101101000         |
| 33            | Tornillo de cabeza alomada      | 2     | 32105008           | 72            | Perno de cabeza hexagonal      | 1     | 33112025           |
| 34            | Tornillo de cabeza alomada      | 4     | 32105012           | 73            | Columna                        | 1     | 2101801100         |
| 35            | Escala de profundidad           | 1     | 2101900100         | 74            | Perno de cabeza hexagonal      | 3     | 33108016           |
| 36            | Puntero                         | 1     | 2101400300         | 75            | Soporte de columna             | 1     | 2101100700         |
| 37            | Tuerca hexagonal                | 2     | 34108              | 76            | Base                           | 1     | 2101100800         |
| 38            | Barra de profundidad            | 1     | 2101800100         | 77            | Llave                          | 1     | 38M4               |
| 39            | Tuerca Hexagonal                | 1     | 34106              |               |                                |       |                    |

# GARANTÍA

## GARANTÍA LIMITADA DE CRAFTSMAN

POR UN AÑO desde la fecha de compra, este producto está garantizado contra cualquier defecto de materiales y mano de obra.

CON PRUEBA DE COMPRA, un producto defectuoso recibirá sustitución gratuita. Para detalles de la cobertura de garantía para obtener la reparación o sustitución gratuita, visite el sitio web:

[www.craftsman.com/warranty](http://www.craftsman.com/warranty)

Esta garantía no cubre las los bits, que son piezas consumibles que se desgasten por uso normal dentro del periodo de garantía.

This es nula si el producto se utiliza cada vez, mientras que la prestación de servicios comerciales o si se alquila a otra persona.

Esta garantía le otorga derechos legales específicos, y usted también puede tener otros derechos que varían de un estado a otro.

Sears Brands Management Corporation Hoffman Estates, IL 60179 U.S.A.

**Para Preguntas / Comentarios o técnico - Servicio de Asistencia al Cliente Por favor, llame al: ( . L-V 8:30 am-5pm EST )  
1- (877) 866-8392**

# PLAN DE PROTECCIÓN DE REPARO

## Plan de Protección de Reparos

*Felicitaciones por una compra inteligente.* Su nuevo producto de Craftsman® se diseñó y se fabricó para años de operación segura. Pero como todo producto, puede necesitar unos arreglos de vez en cuando. En esos momentos, tener un Plan de Protección de Reparos podría ahorrarle dinero y molestias.

### El Plan de Protección de Reparos\* incluye:

- ☑ **Servicio de expertos** de técnicos experimentados en quienes confían millones de hogares cada año.
- ☑ **Servicio ilimitado y ningún costo** para partes y mano de obra en los arreglos cubiertos.
- ☑ **Reemplazo del producto** hasta \$1500 si no se puede arreglar el producto protegido.
- ☑ **Un descuento del 25%** del precio normal para servicios y partes instaladas que el acuerdo no cubre.
- ☑ **Ayuda rápida por teléfono** – apoyo telefónico con un agente de servicio para todo producto que le ayuda a resolver problemas. Piense en nosotros como un "manual de usuario que habla"

Una vez que haya comprado el Plan de Protección de Reparos, puede programar una cita de servicio con una llamada telefónica. Puede llamar en cualquier momento, día o noche.

El Plan de Protección es una compra sin riesgos. Si cancela por cualquier razón durante el período de garantía del producto, nosotros le proporcionaremos un reembolso completo. O, le proporcionaremos un reembolso prorrateado en cualquier momento después de que la garantía haya caducado. Compre su Plan de Protección hoy!

**Algunas limitaciones y exclusiones se aplican. Para precios e información adicional, llame al 1-800-827-6655.**

## Servicio de Instalación de Sears

*Sears ofrece instalación profesional* de electrodomésticos, abrepuestas de garajes, calentadores de agua, y otros aparatos domésticos, llame al **1-800-331-4569**.



# **CRAFTSMAN<sup>®</sup>**

**Product questions or problems?**

# **1-888-331-4569**

## **Customer Care Hot Line**

**Get answers to questions, troubleshoot problems,  
order parts, or schedule repair service.**

Para respuestas a preguntas o problemas, y ordenar  
piezas o pedir servicio para la reparación de su equipo.

**To help us help you, register your product at [www.craftsman.com/registration](http://www.craftsman.com/registration)**

Para poderte ayudar mejor, registra tu producto en [www.craftsman.com/registration](http://www.craftsman.com/registration)

---

**Join the Craftsman Club today!**



**[www.craftsman.com/signup](http://www.craftsman.com/signup)**

**Receive exclusive member benefits including special pricing and offers,  
project sharing, expert advice, and SHOP YOUR WAY REWARDS!**

Como miembro exclusivo, recibe diversos beneficios como ofertas, precios especiales, proyectos nuevos, consejos de expertos y nuestro programa de puntos SHOP YOUR WAY REWARDS!