



CORDLESS GRASS SHEAR + HEDGE TRIMMER

7.2V LITHIUM-ION

OPERATOR'S MANUAL

A Division of Snow Joe®, LLC

Model HJ604C

Form No. SJ-HJ604C-880E-MR9


IMPORTANT!

Safety Instructions


All Operators Must Read These Instructions Before Use


Always follow these safety guidelines. Failure to do so may result in serious bodily injury or death.

General Safety WARNINGS!


Notice the personal safety alert symbol  used in this manual to draw your attention to a WARNING given along with the particular operating instruction. This means that the operation requires special **ATTENTION**, **CAUTION**, and **AWARENESS**.

When using this power tool, basic safety precautions, including the following, should always be followed to reduce the risk of fire, electric shock, personal injury and material damage.

 WARNING! This unit can be dangerous! Careless or improper use can cause serious injury.

 WARNING! The rotating blades can cut you. Keep hands and feet away from the blades and the cutting area.

Retain this manual for future reference and reread it at the start of each trimming season.

 WARNING! This battery-operated power tool must be recharged only with the specific charging unit for the battery. A charging unit that may be suitable for one type of battery may create a risk of fire when used with another battery type.

- Avoid accidental starting.
- When the tool is not in use, keep it away from other metal objects.
- Before operating the tool, read the entire manual carefully and make sure you know how to switch the tool OFF in an emergency.

Work Area Safety

1. **Keep work area clean and well lit.** Cluttered and dark areas invite accidents.
2. **Do not operate power tools in explosive atmospheres, such as in the presence of flammable liquids, gases or dust.** Power tools create sparks which may ignite the dust or fumes.

3. **Keep bystanders and children away.** All bystanders, including children and pets, should be kept a safe distance away from the work area.

Electrical Safety

1. If the battery charger cable is damaged, please call the Snow Joe® + Sun Joe® customer service center at 1-866-SNOWJOE (1-866-766-9563).
2. If charging the power tool in a damp location is unavoidable, use a residual current device (RCD) protected power supply. The using of an RCD reduces the risk of electric shock.
3. **Power tool plugs must match the outlet. Never modify the plug in any way.** Do not use any earthed (grounded) power tools or battery chargers. Unmodified plugs and matching outlets will reduce risk of electric shock.
4. **Avoid body contact with earthed or grounded surfaces such as pipes, radiators, ranges and refrigerators.** There is an increased risk of electric shock if your body is earthed or grounded.
5. **Do not expose power tools to rain or wet conditions.** Water entering a power tool will increase the risk of electric shock.
6. **Do not abuse the charging cord.** Never use the cord for carrying, pulling or unplugging the power tool. Keep cord away from heat, oil, sharp edges or moving parts. Damaged or entangled cords increase the risk of electric shock.
7. Battery charger is for indoor use only. Only charge this battery-powered tool indoors.

Personal Safety

1. **Stay alert. Watch what you are doing and use common sense when operating a power tool.** Do not use the power tool while you are tired or under the influence of drugs, alcohol or medication. A moment of inattention while operating power tool may result in serious personal injury.
2. **Use personal protective equipment. Always wear eye protection.** Protective equipment such as safety glasses, a dusk mask, non-skid safety shoes, a hard hat, and hearing protection, when used for appropriate conditions, will reduce the possibility of personal injuries.
3. **Avoid unintentional starting.** Ensure the switch is in the OFF position before connecting to the power source/ battery charger, or before picking up or carrying the tool. Carrying power tools with your finger on the switch or charging power tools with the switch ON can lead to accidents.

4. **Remove any adjusting key or wrench before starting the power tool.** A wrench or a key left attached to a rotating part of the power tool may result in personal injury.
5. **Do not overreach.** Keep proper footing and balance at all times. This enables better control of the power tool in unexpected situations.
6. **Dress properly.** Do not wear loose clothing or jewelry. Dangling articles such as these can become caught in moving parts. Using work gloves and substantial footwear is recommended when working outdoors. Wear a protective hair covering to contain long hair.
7. **Use dust-reducing equipment (e.g. dust masks) when available.** Using these devices can greatly reduce dust-related hazards.

Power Tool Use and Care

1. **Do not force the appliance.** It will do the job better with less likelihood of injury if it is used at the rate for which it was designed.
2. **Do not use the power tool if the switch does not turn it on and off.** Any power tool that cannot be controlled by the switch is dangerous and must be repaired.
3. **Disconnect the battery pack from the power tool before making any adjustments, changing accessories or storing the power tool.** Such preventative safety measures reduce the risk of starting the power tool accidentally.
4. **Store idle appliances indoors.** When not in use, appliances should be stored indoors in a dry and high or locked-up place out of the reach of children.
5. **Maintain appliance with care.** Check for misalignment or binding of moving parts, breakage of parts and any other condition that may affect the power tool's operation. If damaged, have the power tool repaired before use. Many accidents are caused by poorly maintained power tools.
6. **Keep cutting blades sharp and clean.** Properly maintained cutting blades with sharp edges are less likely to bind and are easier to control.
7. **Use the power tool and accessories in accordance with these instructions and in the manner intended for the particular use of the power tool, taking into account the working conditions and the work to be performed.** Using the power tool for operations different from those intended could result in a hazardous situation.
8. **Keep all parts of the body away from the cutter blade.** Do not remove cut material or hold material to be cut when blades are moving. Make sure the switch is off when clearing jammed material. A moment of inattention while operating the product may result in serious personal injury.
9. **Carry the product by the handle with the cutter blade stopped.** When transporting or storing the product always fit the cutting device cover. Proper handling of the product will reduce possible personal injury from the cutter blades.

10. **Hold the power tool by insulated gripping surfaces only,** because the cutter blade may contact hidden wiring. Cutter blades contacting a "live" wire may make exposed metal parts of the power tool "live" and could give the operator an electric shock.
11. **Check the hedge for foreign objects before operation,** e.g. wire fences. Take care that the cutting device does not come into contact with wire or other metal objects.
12. **Hold the product properly,** e.g. with both hands if two handles are provided. Loss of control can cause personal injury.

Service

1. **If your power tool requires service, contact an authorized Snow Joe® + Sun Joe® dealer or call the Snow Joe® + Sun Joe® customer service center at 1-866-SNOWJOE (1-866-766-9563).** Only identical replacement parts should be utilized for repairs. This will ensure that the safety of the power tool is maintained.
2. **If the battery charger cable is damaged, it must be immediately replaced to avoid a hazard.** Contact the Snow Joe® + Sun Joe® customer service center at 1-866-SNOWJOE (1-866-766-9563) for assistance.

Battery Safety Warnings

This manual contains important safety and operating instructions for your battery and charger.

1. Before using the charging, thoroughly read all instructions and cautionary markings on the charger, the telescoping pole, and the cordless grass shear + hedge trimmer.

⚠WARNING! If the grass shear + hedge trimmer housing is cracked or damaged, do not insert the charging adaptor into the power tool or plug the power tool into the mains outlet. There is a danger of electric shock or electrocution.

2. This charger is ONLY intended to charge this rechargeable battery. Any other use poses a risk of fire, electric shock or electrocution.
3. Do not place any object on top of the charger or place the charger on a soft surface that may result in excessive internal heat. Keep the charger away from any heat source.
4. To reduce the risk of damaging the electric plug and cord, pull the plug, not the cord, when disconnecting the charger from the electric outlet.
5. Make sure the battery charging cable is located in a safe place so that it will not be stepped on, tripped over or otherwise subjected to damage or stress.
6. An extension cord should not be used unless absolutely necessary. Using an improper extension cord poses a risk of fire, electric shock or electrocution.

7. Do not operate the charger if it has received a sharp blow or has become damaged in any way. Contact the Snow Joe® + Sun Joe® customer service center at 1-866-SNOWJOE (1-866-766-9563) before continuing use.
8. Do not disassemble the charger. If the charger requires service or repair, contact an authorized Snow Joe® + Sun Joe® dealer or call the Snow Joe® + Sun Joe® customer service center at 1-866-SNOWJOE (1-866-766-9563). Incorrect reassembly poses a risk of electric shock, electrocution or fire.
9. To reduce the risk of electric shock, unplug the charger from the outlet before cleaning the unit.
10. Never attempt to connect two (2) chargers together.
11. DO NOT store or use the tool and battery pack in locations where the temperature may reach or exceed 104 °F (40 °C). Dangerous storing locations include outdoor sheds or metal buildings in the summer.
12. The charger is designed to operate on standard household electrical power (120 V). Do not attempt to use it with any other voltage!

NOTE: The integrated battery is not fully charged out of the carton. Read the safety instructions and then follow the charging notes and procedures.















13. The longest life and best performance can be obtained if the integrated battery is charged when the air temperature is between 64.4°F – 75.2°F (18°C – 24°C). Do not charge the battery pack when the air temperature falls below 50°F (10°C) or above 104°F (40°C). Following these safety measures will prevent damage to the battery pack.
14. Do not incinerate the integrated battery even if it is seriously damaged or completely worn out. The battery can explode in a fire.
15. Battery chemicals cause serious burns – Never let a damaged battery pack contact the skin, eyes or mouth. Under abusive conditions, liquid may be ejected from the battery; avoid contact. Liquid ejected from the battery may cause irritation or burns. If a damaged battery pack leaks battery chemicals, use rubber or neoprene gloves to safely dispose of it. If skin is exposed to battery fluids, wash the affected area with soap and water and rinse with vinegar. If eyes are exposed to battery chemicals, immediately flush with water for 20 minutes and seek medical attention. Remove and dispose of contaminated clothing.

Grass Shear + Hedge Trimmer Safety Warnings

This appliance is not intended for use by persons (including children) with reduced physical, sensory or mental capabilities, or lack of experience and knowledge, unless they have been given supervision or instruction concerning use of the appliance by a person responsible for their safety.

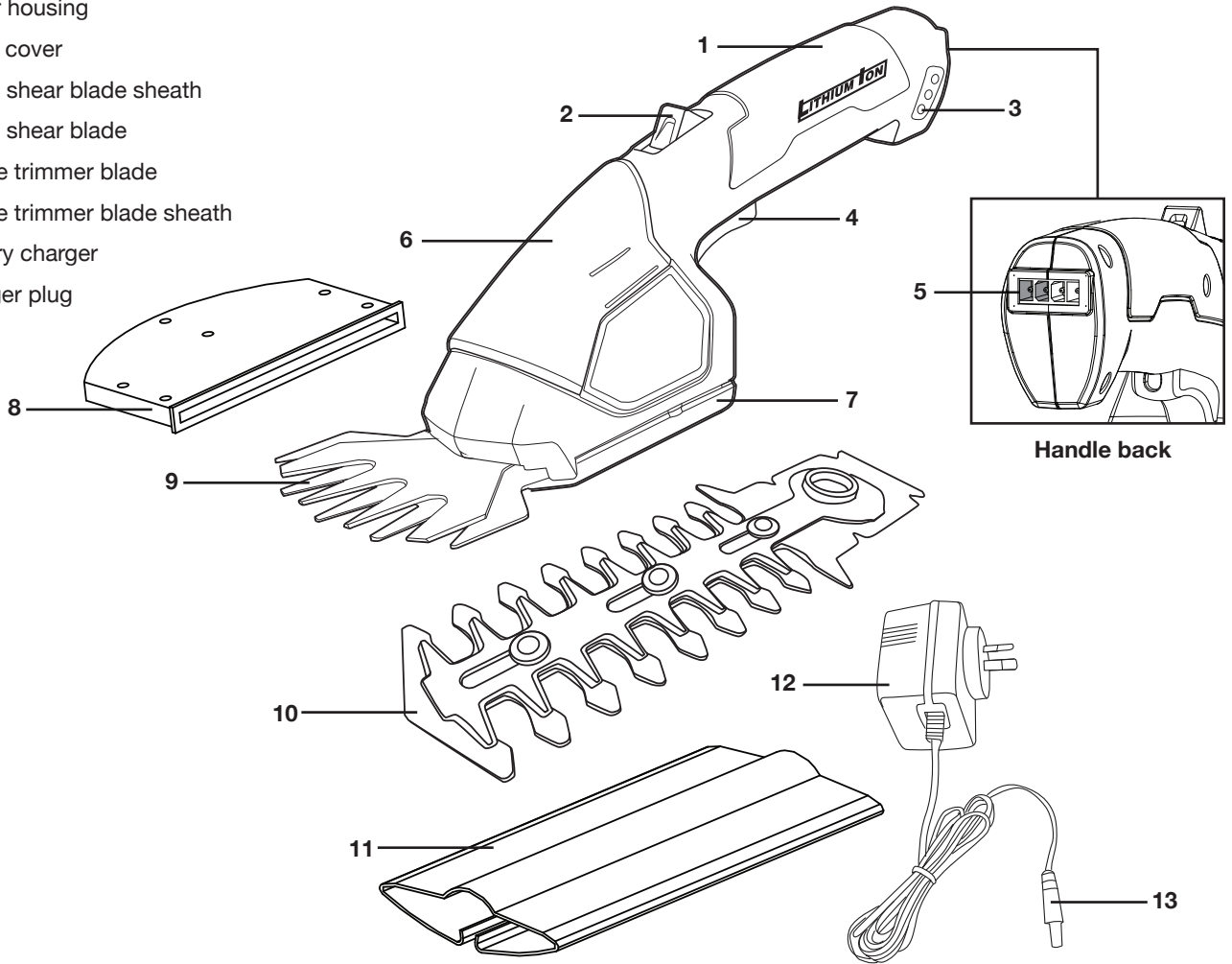
Safety Symbols

The following table depicts and describes safety symbols that may appear on this product. Read, understand and follow all instructions on this tool before attempting to assemble and operate.

Symbols	Descriptions	Symbols	Descriptions
	READ THE OPERATOR'S MANUAL(S) – Read, understand and follow all instructions in the user manual(s) before attempting to assemble and operate.		SAFETY ALERT – Indicates a precaution, a warning or a danger.
	WARNING! Do not expose the unit to rain or wet conditions. Keep dry.		Battery charger contains a safety transformer.
	Wear protective gloves and non-slip footwear when using the machine and handling debris.		Wear protective, slip-resistant footwear during operation to protect feet.
	Only use battery charger indoors.		Wear eye protection.
	DANGER! Keep sufficient distance away from electrical power lines.		Wear head protection.
	Thrown objects and rotating blade can cause severe injury.		Keep bystanders a safe distance away from the work area.
	DANGER! Keep hands away from blade.		WARNING! The cutting attachment continues to move after the motor is switched OFF.

Know Your Cordless Grass Shear + Hedge Trimmer

1. Grass shear + hedge trimmer handle
2. Safety lock-off button
3. Charge level indicator
4. Power ON/OFF trigger switch
5. Charging socket
6. Motor housing
7. Blade cover
8. Grass shear blade sheath
9. Grass shear blade
10. Hedge trimmer blade
11. Hedge trimmer blade sheath
12. Battery charger
13. Charger plug



Technical Data

Battery Voltage*	7.2V	Charge Time Max	5 hours
Battery Capacity.....	1.5 Ah	Grass Shear Blade	4 in. (10.2 cm)
Battery Type	Lithium-ion	Hedge Trimmer Blade.....	6 in. (15.2 cm)
Charger.....	Included	Hedge Trimmer Cutting Diameter.....	0.3 in. (0.8 cm)
Charger Input.....	100 – 125V ~ 50/60 Hz	No Load Speed	1250 ± 10% rpm
Charger Output.....	9V == 0.4 A	Net Weight.....	2.5 lbs (1.14 kg)

* Initial no-load voltage, when fully charged, peaks at 8.4 volts; nominal voltage under typical load is 7.2 volts

Unpacking

Carton Contents

- Cordless grass shear + hedge trimmer
- Hedge trimmer blade
- Hedge trimmer blade sheath
- Grass shear blade
- Grass shear blade sheath
- Charger
- Manual with registration card

1. Carefully remove the cordless grass shear + hedger trimmer and check to see that all of the above items are supplied.
2. Inspect the product carefully to make sure no breakage or damage occurred during shipping. If you find damaged or missing parts, DO NOT return the unit to the store. Please call the Snow Joe® + Sun Joe® customer service center at 1-866-SNOWJOE (1-866-766-9563).

NOTE: Do not discard the shipping carton and packaging material until you are ready to use your new cordless grass shear + hedge trimmer. The packaging is made of recyclable materials. Properly dispose of these materials in accordance with local regulations.

IMPORTANT! The equipment and packaging material are not toys. Do not let children play with plastic bags, foils or small parts. These items can be swallowed and pose a suffocation risk!

Assembly

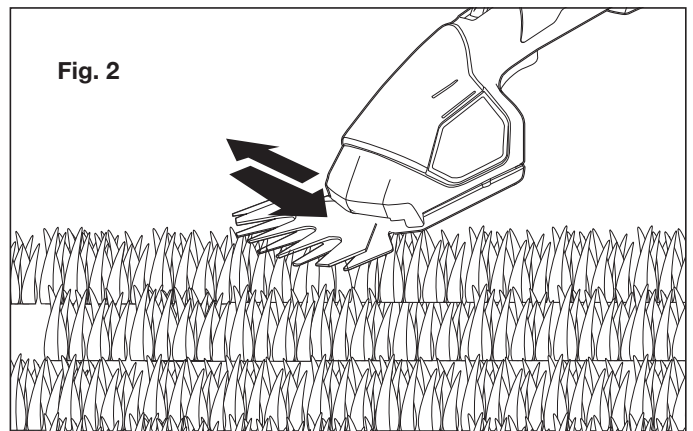
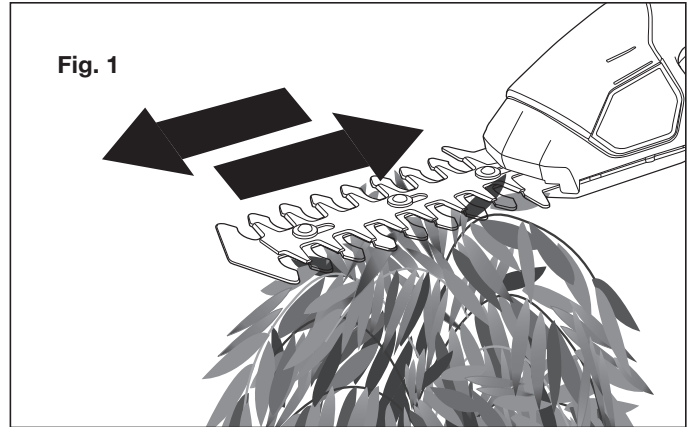
This cordless grass shear + hedge trimmer comes completely assembled with the grass shear blade pre-installed.

⚠CAUTION! Wear protective gloves before handling the blades.

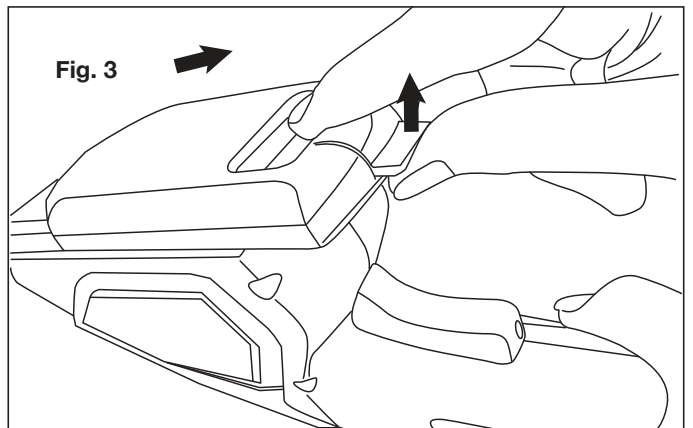
⚠WARNING! Make sure the unit is powered off before handling the blades.

Fitting and Changing the Blades

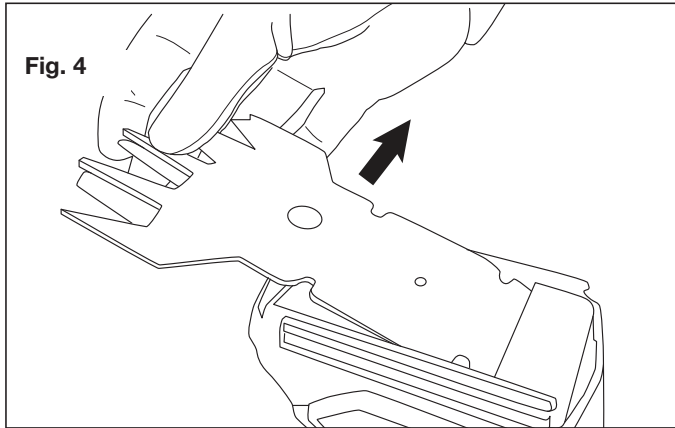
The grass shear + hedge trimmer is equipped with two interchangeable blades that are designed for do-it-yourself grooming projects around your garden. The hedge trimmer blade is used to cut hedges and shrubs (Fig. 1) while the grass shear blade is used to cut grass and hedges where finer detail is required (Fig. 2).



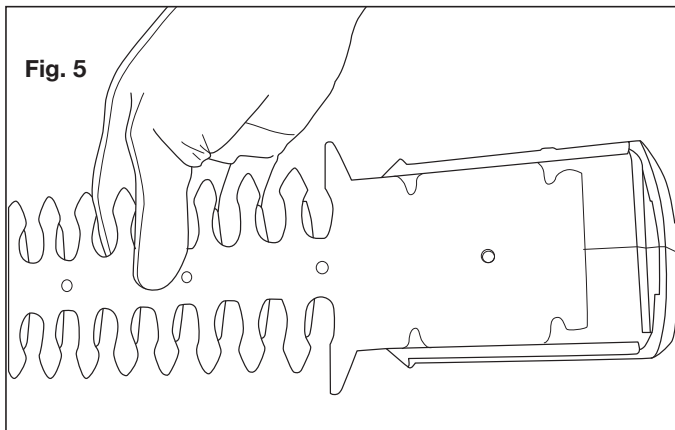
1. To fit or change the blade, place the grass shear + hedge trimmer on a hard surface. Turn the unit upside down in one hand and use the other hand to gently lift the tab of the blade cover. Slide the tab back until the cover can be removed (Fig. 3).



2. Gently remove the blade by lifting the end tip of the blade off of the grass shear + hedge trimmer unit (Fig. 4).

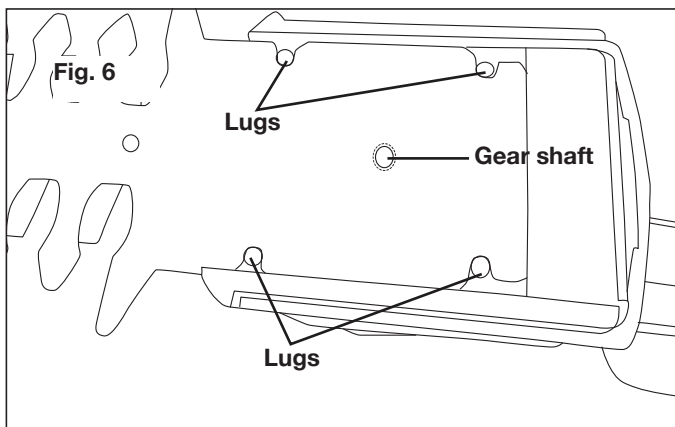


3. Insert the desired blade into the base of the motor housing (Fig. 5).

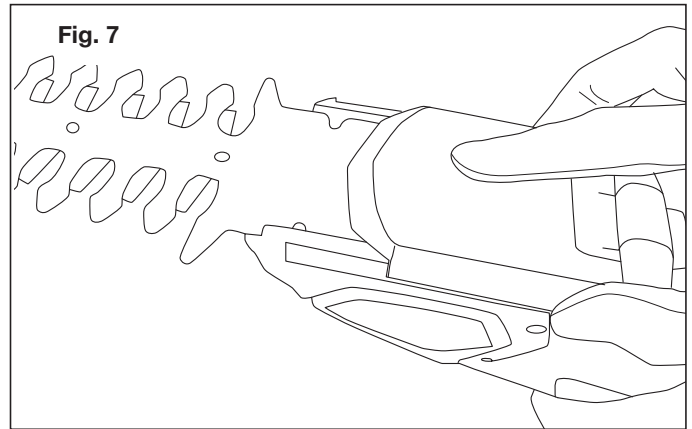


NOTE: You may need to manually move the blade or gear shaft in order to align the gear shaft with the gear in the center of the unit.

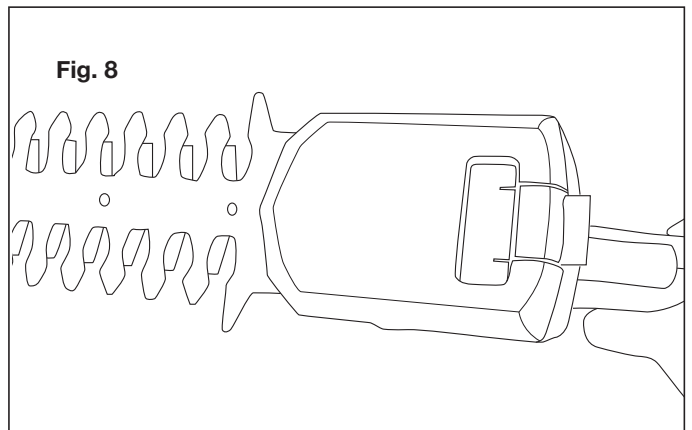
4. Align the gear shaft in the middle of the blade with the gear in the middle of the unit. Align the four (4) lugs so that the blade lays flat against the housing for a secure fit (Fig. 6).



5. Once the blade is in position, replace the blade cover by aligning the cover with the slots on the base of the motor housing (Fig. 7).



6. Push forward on the blade cover until it slides and clicks into place (Fig. 8). The grass shear + hedge trimmer is now ready for use.



NOTE: If you have any questions, please call the Snow Joe® + Sun Joe® customer service department at 1-866-SNOWJOE (1-866-766-9563) for assistance.

Before Using

Charging Procedure

The battery charger supplied matches the lithium-ion battery installed in the tool. Do not use other battery chargers.

The lithium-ion battery is protected against deep discharging. When the battery is empty, a protective circuit will automatically switch OFF the machine. The blade will no longer move and a slight whistling sound will be heard.

Charge the battery for 5 to 7 hours then use it until it runs down (i.e. the tools starts to operate slowly). Recharge for 5 to 7 hours again before resuming operation.

⚠WARNING! Continued and excessive overuse of the ON/OFF trigger switch can permanently damage the lithium-ion battery.

⚠ CAUTION! This charger does not automatically turn off when the battery is fully charged. Please take care not to leave the grass shear + hedge trimmer plugged into the charger. Switch off or unplug the charger at the mains when charging is complete.

NOTE: The charge level indicator LED light will illuminate red when the charger is plugged in and is charging the grass shear + hedge trimmer. The middle LED light will turn green when the grass shear + hedge trimmer is fully charged.

The charging process starts as soon as the charger is plugged into both the proper electrical outlet and the tool.

- During the charging procedure, the handle of the tool will feel slightly warm to the touch. This is normal.
- When no further use is planned for an extended period of time, disconnect the battery charger from the outlet and the unit.
- Do not use the tool during the charging procedure.

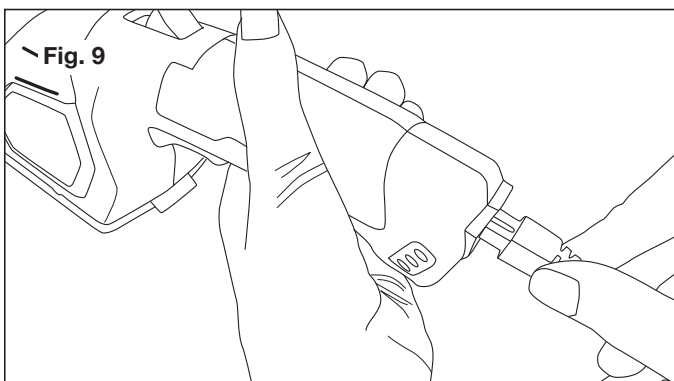
Battery Charging

The length of service between each charging varies depending on the type of work you are doing. The battery in this grass shear + hedge trimmer has been designed to provide maximum trouble-free life. However, like all batteries, it will eventually wear out. To obtain the longest possible battery life, we suggest the following:

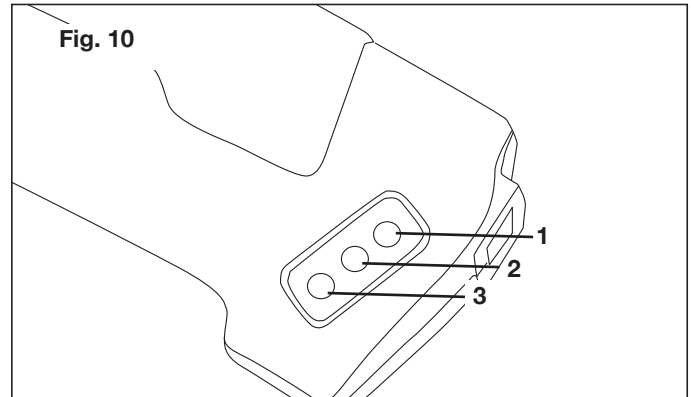
- Store and charge your grass shear + hedge trimmer in a cool area. Temperatures above or below normal room temperature will shorten battery life.
- Never store the grass shear + hedge trimmer with the battery in a discharged condition. Recharge the unit immediately after it is discharged.
- All batteries gradually lose their charge. The higher the temperature is, the faster they lose their charge. If you store your grass shear + hedge trimmer for long periods of time without using it, recharge the battery every 6 months. This will extend battery life.

NOTE: The grass shear + hedge trimmer has been shipped in a low charge condition and should be fully charged before use.

1. Plug the charger adaptor into an appropriate AC power outlet. Connect the AC adaptor charger plug into the charging socket of the grass shear + hedge trimmer to start charging (Fig. 9).



2. LED no.1 will illuminate red when charging. LED's 2 and 3 will not illuminate when charging (Fig. 10).



3. The battery will take approximately 3 hours to charge. Charging may take up to 5 hours due to the level of charge left in the battery and the ambient temperature.

NOTE: A charge level indicator LED light will always be illuminated when the charger is plugged in and the mains power is turned on. The charge indicator indicates the charge status of the grass shear + hedge trimmer as shown below:

Condition	Colour of LED's	LED's Illuminated
Charging	Red	1- Red, 2- Not illuminated, 3- Not illuminated
Fully Charged	Green	1- Not illuminated, 2- Green, 3- Not illuminated
Low Charge	Yellow	1- Not illuminated, 2- Not illuminated, 3- Yellow

Operation

IMPORTANT! The product is intended for light-duty trimming of shrubs and lawn edges for residential properties.

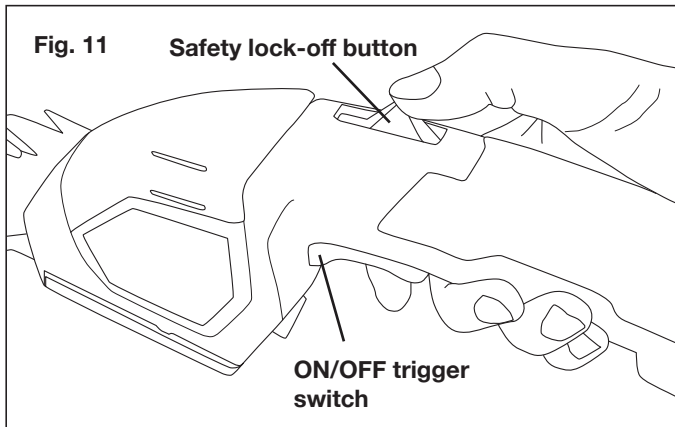
NOTE: Charge the battery for 3 to 5 hours then use it until it runs down (i.e. the tool will only slowly operate and the yellow charger indicator will be illuminated). Recharge for 3 to 5 hours again before resuming operation.

⚠ WARNING! The blades continue to move for a few seconds after the tool is switched OFF. Turn OFF the tool and wait until the blades come to a complete stop before adjusting or cleaning.

⚠ CAUTION! Never touch the blade or blade rail while the tool is in operation and be aware of the sharp edges even when the grass shear + hedge trimmer is not in use.

Starting + Stopping

1. To power ON, push and hold the safety lock-off button with your thumb, while pressing the ON/OFF trigger switch with your forefinger. Once the trigger switch engages, you can release the safety lock-off button and proceed with operation (Fig. 11).



NOTE: The safety lock-off button reduces the risk of accidental starting.

2. To power OFF, simply release the ON/OFF trigger switch (Fig. 11).

CAUTION! Do not force the blades through dense growth. If the blades slow down, then reduce your cutting pace. Should the blades jam, release the trigger immediately. Do not use your fingers to free up jammed blades. Jammed blades can release suddenly causing serious injury.

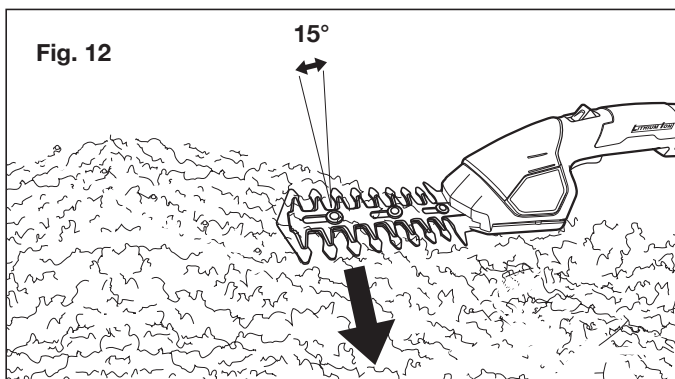
CAUTION! Always ensure proper footing and balance in a clean and clear work environment before switching on the grass shear + hedge trimmer.

NOTE: The yellow charge indicator LED light will illuminate when the battery is running low and requires charging.

Trimming Tips

WARNING! Only use the hedge trimmer blade for this operation. Never use the telescoping pole with the hedge trimmer for trimming hedges.

NOTE: Try to keep the cutting device angled at approximately 15° to the cutting surface (Fig. 12).



1. **Shaping** – A hedge should be trimmed to achieve a trapezoidal form; it should widen toward the bottom on both sides. Shaping a hedge in this manner improves the penetration of light to the lower extremities. A general guideline is to slant the hedge approximately 4 in. (10 cm) for each 39 in. (1 m) of hedge height.
2. **Cutting Sequence** – First cut both sides; start at the bottom and work towards the top. This prevents cuttings from falling into an area that you have yet to trim.
3. **Trimming the Top** – Where the branches have grown extremely long, cut back the hedge in several stages. The shorter cuttings obtained are best suited for composting.
4. **Pruning Thick Branches** – When older hedges are to be cut a substantial amount, use pruning shears or some other device to trim thicker branches (greater than 0.3 in. [8 mm] in diameter) to the desired length before starting work with the hedge trimmer.

To shape precisely, run a taut line between the extreme edges of the hedge and then trim along the length of the line.

Ensure that the blade does not come into contact with any object made of hard material that could damage it, such as fencing wire or metallic plant supports.

Maintenance

WARNING! Always switch the product off and let the product cool down before performing inspection, maintenance and cleaning work.

1. Keep the ventilation vents of the tool clean at all times. If possible, prevent foreign matter from entering the vents.
2. If the enclosure of the trimmer requires cleaning, do not use solvents to clean it. Only use a moistened soft cloth. Never let any liquid get inside the tool; and never immerse any part of the tool into a liquid.
3. The blade rail should be cleaned and treated with light machine oil or spray lubricant (such as WD40, CRC 5.56 or RP7) after each use. When a job lasts for a long period of time, it is recommended that the blade rail also be treated with spray lubricant at regular intervals during operation.
4. Inspect the product before each use for worn and damaged parts. Do not operate it if you find broken and worn parts.

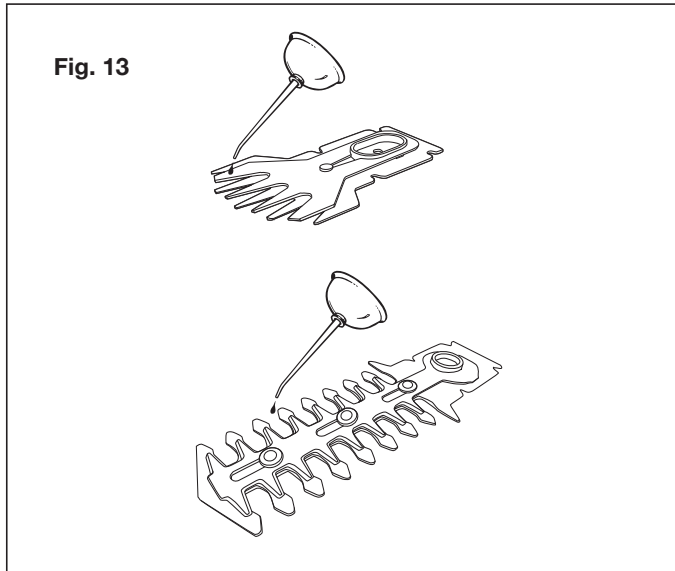
Blade Maintenance

To ensure years of efficient and trouble-free operation, blade cleaning should be performed if sap and debris have built-up, or if you live in an area where the soil is sandy. Cleaning unusually heavy deposits may require removal of the blades.

NOTE: Snow Joe® + Sun Joe® will not be held responsible for any damage or injuries caused by repair of the trimmer by an unauthorized person or by mishandling of the trimmer.

1. Keep the cutting blades clean and free of debris. Remove trimmings.

2. Apply a small amount of suitable lubricant on the blades to retain a good cutting performance (Fig. 13).

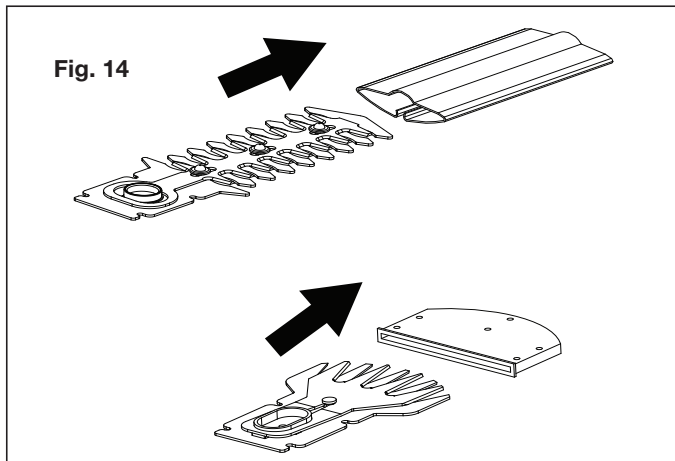


3. Keep the blades sharp. Have a worn or damaged cutting device replaced with a new one of the same type by a qualified specialist. Spare parts may be ordered online at sunjoe.com or via phone by contacting the Snow Joe® + Sun Joe® customer service center at 1-866-SNOWJOE (1-866-766-9563).

Storage

When the tool will not be used for several months, it is ideal to leave the battery connected to the charger. For optimal storage, proceed as follows:

- Fully charge the battery.
- Clean the product as describe above.
- Assemble the blade covers over the blades (Fig. 14).



- Store the tool in a secure and dry location. The storage temperature must always remains in the range of 41°F (5°C) to 104°F (40°C).
- Before using the tool after prolonged storage, fully recharge the battery.

Battery Caution + Disposal

Always dispose of your battery pack according to federal, state, and local regulations. Contact a recycling agency in your area for recycling locations.

⚠ CAUTION! Even discharged battery packs contain some energy. Before disposing, use electrical tape to cover the terminals to prevent the battery pack from shorting, which could cause a fire or explosion.

⚠ WARNING! To reduce the risk of injury or explosion, never burn or incinerate a battery pack even if it is damaged, dead, or completely discharged. When burned, toxic fumes and materials are emitted into the surrounding atmosphere.

1. Batteries vary according to device. Consult your manual for specific information.
2. Install only new batteries of the same type in your product (where applicable).
3. Failure to insert batteries in the correct polarity, as indicated in the battery compartment or manual, may shorten the life of the batteries or cause batteries to leak.
4. Do not mix old and new batteries.
5. Do not mix Alkaline, Standard (Carbon-Zinc), or Rechargeable (Nickel Cadmium, Nickel Metal Hydride, or Lithium-Ion) batteries.
6. Do not dispose of batteries in fire.
7. Batteries should be recycled or disposed of as per state and local guidelines.

Service + Support

If your Sun Joe® cordless grass shear + hedge trimmer requires service or maintenance, please call the Snow Joe® + Sun Joe® customer service center at 1-866-SNOWJOE (1-866-766-9563).

Model + Serial Numbers

When contacting the company or reordering parts, you will need to provide the model and serial numbers of your product. These are found on the decal affixed to the housing or handle of your cordless grass shear + hedge trimmer. Copy these numbers into the space provided below.

Record the following numbers from the housing or handle of your new product:


Model #: _____

H | J | 6 | 0 | 4 | C | _____

Serial #: _____

HJ604C-CHRG

Federal Communications Commission (FCC)

 **WARNING!** Any changes or modifications to this unit not expressly approved by the party responsible for compliance could void the user's authority to operate the equipment.

Class B device:

NOTE: This equipment has been tested and found to comply with the limits for a Class B digital device, pursuant to part 15 of the FCC Rules.

These limits are designed to provide reasonable protection against harmful interference in a residential installation.

This equipment generates, uses and can radiate radio frequency energy and, if not installed and used in accordance with the instructions, may cause harmful interference to radio communications.

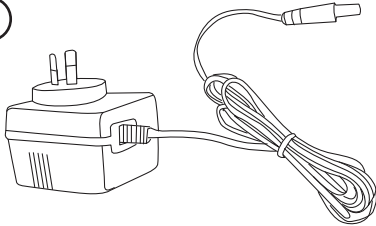
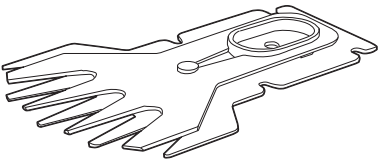
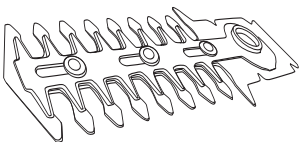
However, there is no guarantee that interference will not occur in a particular installation.

If this equipment does cause harmful interference to radio or television reception, which can be determined by turning the equipment off and on, the user is encouraged to try to correct the interference by one or more of the following measures:

- Reorient or relocate the receiving antenna.
- Increase the separation between the equipment and receiver.
- Connect the equipment into an outlet on a circuit different from that to which the receiver is connected.
- Consult the dealer or an experienced radio/TV technician for help.

Optional Accessories

⚠️ WARNING! ALWAYS use only authorized Snow Joe® + Sun Joe® replacement parts and accessories. NEVER use replacement parts or accessories that are not intended for use with this cordless grass shear + hedge trimmer. Contact Snow Joe® + Sun Joe® if you are unsure whether it is safe to use a particular replacement part or accessory with your cordless grass shear + hedge trimmer. The use of any other attachment or accessory can be dangerous and could cause injury or mechanical damage.

Accessories	Item	Model
<p>①</p> 	AC Charging Adaptor	HJ604C-CHRG
<p>②</p> 	Grass Shear Blade	HJ604C-1.10
<p>③</p> 	Hedge Trimmer Blade	HJ604C-1.11

NOTE: Accessories are subject to change without any obligation on the part of Snow Joe® + Sun Joe® to provide notice of such changes. Accessories can be ordered online at sunjoe.com or via phone by contacting the Snow Joe® + Sun Joe® customer service center at 1-866-SNOWJOE (1-866-766-9563).



SNOW JOE® + SUN JOE® CUSTOMER PROMISE

ABOVE ALL ELSE, Snow Joe, LLC (“Snow Joe”) is dedicated to you, our customer. We strive to make your experience as pleasant as possible. Unfortunately, there are times when a Snow Joe®, Sun Joe®, or Aqua Joe® product (“Product”) does not work or breaks under normal operating conditions. We think it’s important that you know what you can expect from us. That’s why we have a Limited Warranty (“Warranty”) for our Products.

OUR WARRANTY:

Snow Joe warrants new, genuine, powered and non-powered Products to be free from defects in material or workmanship when used for ordinary household use for a period of two years from the date of purchase by the original, end-user purchaser when purchased from Snow Joe or from one of Snow Joe’s authorized sellers with proof of purchase. Because Snow Joe is unable to control the quality of its Products sold by unauthorized sellers, unless otherwise prohibited by law, this Warranty does not cover Products purchased from unauthorized sellers. If your Product does not work or there’s an issue with a specific part that is covered by the terms of this Warranty, Snow Joe will elect to either (1) send you a free replacement part, (2) replace the Product with a new or comparable product at no charge, or (3) repair the Product. How cool is that!

This Warranty gives you specific legal rights, and you may also have other rights which vary from State to State.

PRODUCT REGISTRATION:

Snow Joe strongly encourages you to register your Product. You can register online at snowjoe.com/register, or by printing and mailing in a registration card available online from our website, or calling our Customer Service Department at **1-866-SNOWJOE (1-866-766-9563)**, or by e-mailing us at help@snowjoe.com. Failure to register your Product will not diminish your warranty rights. However, registering your Product will allow Snow Joe to better serve you with any of your customer service needs.

WHO CAN SEEK LIMITED WARRANTY COVERAGE:

This Warranty is extended by Snow Joe to the original purchaser and original owner of the Product.

WHAT IS NOT COVERED?

This Warranty does not apply if the Product has been used commercially or for non-household or rental applications. This Warranty also does not apply if the Product was purchased from an unauthorized seller. This Warranty also does not cover cosmetic changes that do not affect performance. Wearing parts like belts, augers, chains and tines are not covered under this Warranty, and can be purchased at snowjoe.com or by calling **1-866-SNOWJOE (1-866-766-9563)**.



MANUAL DEL OPERADOR

ES

PODADORA DE CÉSPED + BORDEADORA DE ARBUSTOS INALÁMBRICA

BATERÍA DE IONES DE LITIO DE 7.2 V

Una división de Snow Joe®, LLC

Modelo HJ604C

Forma No. SJ-HJ604C-880S-MR9


¡IMPORTANTE!

Instrucciones de seguridad


Todos los operadores deben leer estas instrucciones antes del uso


Siga siempre estas normas de seguridad. No hacerlo podría resultar en lesiones corporales severas o incluso la muerte.

¡ADVERTENCIAS generales de seguridad!


Preste atención al símbolo  de alerta de seguridad personal usado en este manual para enfocar su atención a una ADVERTENCIA dada junto a una instrucción de operación particular. Esto significa que la operación requiere **ATENCIÓN**, **PRECAUCIÓN** y **CAUTELA** especiales.

Usted debe tomar precauciones básicas de seguridad siempre que utilice esta herramienta eléctrica para reducir el riesgo de incendio, choques eléctricos, lesiones personales y daños materiales. Dichas precauciones incluyen las siguientes:

 **¡ADVERTENCIA!** ¡Esta unidad puede ser peligrosa! Su descuido o uso incorrecto pueden causar lesiones graves.

 **¡ADVERTENCIA!** Las cuchillas giratorias pueden causarle cortes. Mantenga las manos y los pies lejos de las cuchillas y del área de corte.

Conserve este manual para futuras referencias y vuélvalo a leer al inicio de cada temporada de corte.

 **¡ADVERTENCIA!** Esta herramienta a batería debe ser recargada solo con la unidad cargadora específica para su batería. Una unidad de cargado que puede ser adecuada para un tipo de batería puede causar un riesgo de incendio al ser usada con otro tipo de batería.

- Evite el encendido accidental de la máquina.
- Cuando la herramienta no esté en uso, manténgala alejada de otros objetos metálicos.
- Antes de operar la herramienta, lea cuidadosamente el manual en su totalidad y asegúrese de saber cómo apagar la herramienta en caso de emergencia.

Seguridad de área de trabajo

1. **Mantenga el área de trabajo limpia y bien iluminada.** Las áreas de trabajo abarrotadas u oscuras provocan accidentes.
2. **No use herramientas eléctricas en atmósferas explosivas, tales como en presencia de líquidos, gases o polvos inflamables.** Las herramientas eléctricas crean chispas que pueden encender los polvos o gases.
3. **Mantenga alejados a los espectadores y niños.** Todos los espectadores, incluyendo mascotas, deberán estar a una distancia segura del área de trabajo.

Seguridad eléctrica

1. Si el cable del cargador de batería está dañado, comuníquese con la central de servicio al cliente Snow Joe® + Sun Joe® llamando al 1-866-SNOWJOE (1-866-766-9563).
2. Si cargar la herramienta eléctrica en una ubicación mojada es inevitable, utilice una fuente de alimentación protegida por un dispositivo de corriente residual (residual current device o RCD por sus siglas en inglés). El uso de un RCD reduce el riesgo de un choque eléctrico.
3. **El enchufe de la herramienta eléctrica debe encajar en el tomacorriente. Nunca modifique el enchufe de ninguna manera.** No use ninguna herramienta eléctrica o cargador de batería que tenga conexión a tierra. El uso de enchufes no modificados y tomacorrientes equivalentes reducirá el riesgo de un choque eléctrico.
4. **Evite el contacto de su cuerpo con superficies puestas a tierra tales como tuberías, radiadores, cocinas eléctricas y refrigeradoras.** Hay un mayor riesgo de un choque eléctrico si su cuerpo está conectado a tierra.
5. **No exponga las herramientas eléctricas a la lluvia o a condiciones húmedas.** El agua que entra a una herramienta eléctrica incrementará el riesgo de un choque eléctrico.
6. **No maltrate el cable del cargador.** Nunca use el cable para transportar, jalar o desenchufar este artefacto. Mantenga el cable alejado del calor, aceite, bordes filosos o partes en movimiento. Los cables dañados o enredados aumentan el riesgo de choques eléctricos.
7. El cargador de batería solo es para uso en interiores. Solo cargue esta herramienta a batería en interiores.

Seguridad personal

- 1. Manténgase alerta. Preste atención a lo que está haciendo y use el sentido común al operar su herramienta eléctrica.** No utilice la herramienta cuando se encuentre cansado o bajo la influencia de drogas, alcohol o medicamentos. Un momento de distracción durante el uso de esta herramienta eléctrica puede ocasionar lesiones severas.
- 2. Utilice equipos de protección personal. Use siempre protección ocular.** Al ser usados en condiciones apropiadas, los equipos de protección tales como gafas de seguridad, máscara antipolvo, zapatos antideslizantes, casco o protección auditiva, reducirán las probabilidades de lesiones personales.
- 3. Evite encendidos accidentales.** Asegúrese de que el interruptor esté en la posición de APAGADO (“OFF”) antes de levantar, transportar o conectar la máquina a la fuente de alimentación/batería. Llevar herramientas eléctricas con su dedo en el interruptor o cargarlas con el interruptor en la posición de ENCENDIDO (“ON”) puede provocar accidentes.
- 4. Retire cualquier llave de ajuste o llave inglesa antes de encender la herramienta.** Una llave inglesa o de otro tipo, conectada a una parte giratoria de la herramienta eléctrica, podría causar lesiones personales.
- 5. No se sobreextienda.** Mantenga el equilibrio apropiado en todo momento. Esto permite mejor control de la herramienta eléctrica en situaciones inesperadas.
- 6. Vístase adecuadamente** No utilice prendas holgadas ni joyería. Objetos colgantes como estos pueden engancharse en las partes móviles. Se recomienda el uso de guantes de goma y calzado protector cuando se trabaje en exteriores. Utilice cubiertas protectoras de cabello para sujetar y contener cabello largo.
- 7. Use equipos para protección contra el polvo (p. ej., máscaras anti-polvo) de estar disponibles.** El uso de estos dispositivos puede reducir drásticamente los peligros relacionados con el polvo.

Uso y cuidado de la herramienta eléctrica

- 1. No fuerce esta herramienta eléctrica.** Hará el trabajo mejor, con menos posibilidades de lesiones de ser usada a la velocidad para la cual fue diseñada.
- 2. No emplee la herramienta eléctrica si el interruptor no la enciende y apaga.** Cualquier herramienta eléctrica que no pueda ser controlada por el interruptor se considera peligrosa y debe ser reparada inmediatamente.
- 3. Desconecte la batería de la herramienta eléctrica antes de realizar cualquier ajuste, cambiar accesorios o almacenar la herramienta eléctrica.** Estas medidas preventivas de seguridad reducen el riesgo de un encendido accidental de la herramienta eléctrica.
- 4. Guarde la herramienta eléctrica inactiva en interiores.** Cuando no esté siendo usada, la herramienta eléctrica deberá ser guardada en interiores, en lugares secos y altos o bajo llave, lejos del alcance de los niños.

- 5. Cuide la herramienta eléctrica.** Verifique que no haya desalineamientos o atascamientos de partes móviles, partes rotas o cualquier otra condición que pueda afectar la operación de la herramienta eléctrica. Si la herramienta eléctrica está dañada, hágala reparar antes de su uso. Muchos accidentes son causados por herramientas eléctricas mal mantenidas.
- 6. Mantenga las cuchillas limpias y afiladas.** Las cuchillas de corte mantenidas adecuadamente, con bordes afilados, tienen menos probabilidades de trabarse y son más fáciles de controlar.
- 7. Use la herramienta eléctrica y los accesorios en conformidad con estas instrucciones y en la manera destinada para el uso particular de la herramienta eléctrica, tomando en cuenta las condiciones de trabajo y la labor a ser realizada.** Emplear la herramienta eléctrica para operaciones distintas a las cuales está destinada puede resultar peligroso.
- 8. Mantenga todas las partes del cuerpo alejadas de la cuchilla.** No retire material cortado ni sujete el material a ser cortado cuando las cuchillas estén moviéndose. Asegúrese de que el interruptor esté apagado al limpiar material atascado. Un momento de distracción durante el uso de este producto podría ocasionar lesiones severas.
- 9. Lleve el producto por el mango, con la cuchilla cortadora detenida.** Al transportar o almacenar el producto, siempre coloque la cubierta sobre el dispositivo de corte. Una manipulación apropiada del producto reducirá el riesgo de lesiones personales causadas por las cuchillas de corte.
- 10. Sujete la herramienta solamente por superficies de agarre aisladas** debido a que la cuchilla de corte puede hacer contacto con alambres ocultos. Las cuchillas de corte que hagan contacto con un alambre con corriente eléctrica pueden exponer las partes de la herramienta a la electricidad y causar un choque eléctrico al operador.
- 11. Inspeccione los arbustos en busca de objetos extraños antes de la operación** (por ejemplo, cercas de alambre). Tenga cuidado de que el dispositivo de corte no entre en contacto con el alambre u otros objetos metálicos.
- 12. Sujete el producto adecuadamente,** es decir, con ambas manos si el producto tiene dos mangos. La pérdida de control puede causar lesiones personales.

Servicio

- 1. Si su herramienta eléctrica requiere servicio, contacte a un distribuidor Snow Joe® + Sun Joe® autorizado o comuníquese con la central de servicio al cliente Snow Joe® + Sun Joe® llamando al 1-866-SNOWJOE (1-866-766-9563).** Para las reparaciones se deben utilizar únicamente partes de repuesto idénticas. Esto mantendrá la seguridad de la herramienta eléctrica.
- 2. Si el cable del cargador de la batería está dañado, debe ser reemplazado inmediatamente para evitar accidentes.** Comuníquese con la central de servicio al cliente Snow Joe® + Sun Joe® llamando al 1-866-SNOWJOE (1-866-766-9563) para asistencia.

Advertencias de Seguridad de la Batería

Este manual contiene importante información de seguridad e instrucciones de operación para su batería y cargador.

1. Antes de usar el cargador, lea cuidadosamente todas las instrucciones y marcas cautelares en el cargador, el tubo telescópico, y la podadora de césped + bordeadora de arbustos inalámbrica.

⚠ ¡ADVERTENCIA! Si la carcasa de la podadora de césped + bordeadora de arbustos está resquebrajada o dañada, no inserte el adaptador de carga en la herramienta eléctrica, ni enchufe la herramienta eléctrica en el tomacorriente. Existe un peligro de un choque eléctrico o electrocución.

2. Este cargador SOLO ESTÁ destinado para cargar esta batería recargable. Cualquier otro uso representa un riesgo de incendio, choque eléctrico o electrocución.
3. No coloque ningún objeto en la parte superior del cargador, ni coloque el cargador sobre una superficie suave que pueda resultar en calor interno excesivo. Mantenga el cargador alejado de cualquier fuente de calor.
4. Para reducir el riesgo de daños al enchufe y cable eléctrico, tire del enchufe, no del cable, al desconectar el cargador del tomacorriente.
5. Asegúrese de que el cable cargador de batería esté ubicado en un lugar seguro de manera que no sea pisoteado, que la gente no se tropiece con este, ni que esté de otro modo sujeto a daños o tensiones.
6. No se debe usar un cable de extensión a menos que sea absolutamente necesario. Usar un cable de extensión inadecuado representa un riesgo de incendio, choque eléctrico o electrocución.
7. No opere el cargador si este ha recibido un golpe violento o se ha dañado de cualquier forma. Comuníquese con el centro de servicio al cliente Snow Joe® + Sun Joe® llamando al 1-866-SNOWJOE (1-866-766-9563) antes de continuar con el uso.
8. No desarme el cargador. Si el cargador necesita ser reparado o mantenido, contacte a un distribuidor Snow Joe® + Sun Joe® autorizado o comuníquese con la central de servicio al cliente Snow Joe® + Sun Joe® llamando al 1-866-SNOWJOE (1-866-766-9563). Un re-ensamblado incorrecto representa un riesgo de un choque eléctrico, electrocución o incendio.
9. Para reducir el riesgo de un choque eléctrico, desenchufe el cargador del tomacorriente antes de limpiar la unidad.
10. Nunca intente conectar dos (2) cargadores entre sí.
11. NO GUARDE NI USE la herramienta y la batería en entornos donde la temperatura pueda alcanzar o exceder

los 104°F (40°C). Los lugares de almacenamiento peligrosos incluyen cobertizos en exteriores o construcciones de metal durante el verano.

12. El cargador está diseñado para funcionar con voltaje de un tomacorriente domestico estándar (120 V CA). ¡No intente usarlo en ninguna forma con ningún otro voltaje!

NOTA: la batería integrada no viene completamente cargada en la caja de embalaje. Lea las instrucciones de seguridad y luego siga las notas y procedimientos de carga.









13. Se puede obtener el mejor rendimiento y el más prolongado ciclo de vida útil de la batería si esta es cargada cuando la temperatura del ambiente se encuentra entre los 64.4°F y 75.2°F (18°C y 24°C). No cargue la batería cuando la temperatura del aire caiga por debajo de los 50°F (10°C) o aumente por encima de los 104°F (40°C). Seguir estas medidas de seguridad evitará daños a la batería.
14. No incinere la batería integrada, incluso si ha sido severamente dañada o esté completamente gastada. La batería puede explotar al ser expuesta al fuego.
15. Los químicos de la batería causan quemaduras severas: nunca deje que una batería dañada haga contacto con la piel, ojos o boca. Bajo condiciones extremas, la batería puede expulsar un líquido. Evite el contacto con este líquido. El líquido expulsado de la batería puede causar irritación o quemaduras. Si una batería dañada deja escapar químicos, use guantes de hule o neopreno para deshacerse de ella de forma segura. Si la piel es expuesta a los fluidos de la batería, lave el área afectada con jabón y agua, y enjuague con vinagre. Si los ojos son expuestos a los químicos, inmediatamente enjuáguelos con agua durante 20 minutos y busque atención médica. Quítese y deshágase de las vestimentas contaminadas.

Advertencias de seguridad de la podadora de césped + bordeadora de arbustos

Este artefacto no está destinado para su uso por personas (incluyendo niños) con habilidades físicas, sensoriales o mentales reducidas, o sin experiencia y conocimiento, a menos que hayan recibido capacitación o estén supervisadas, respecto al uso de este artefacto, por una persona responsable por su seguridad.

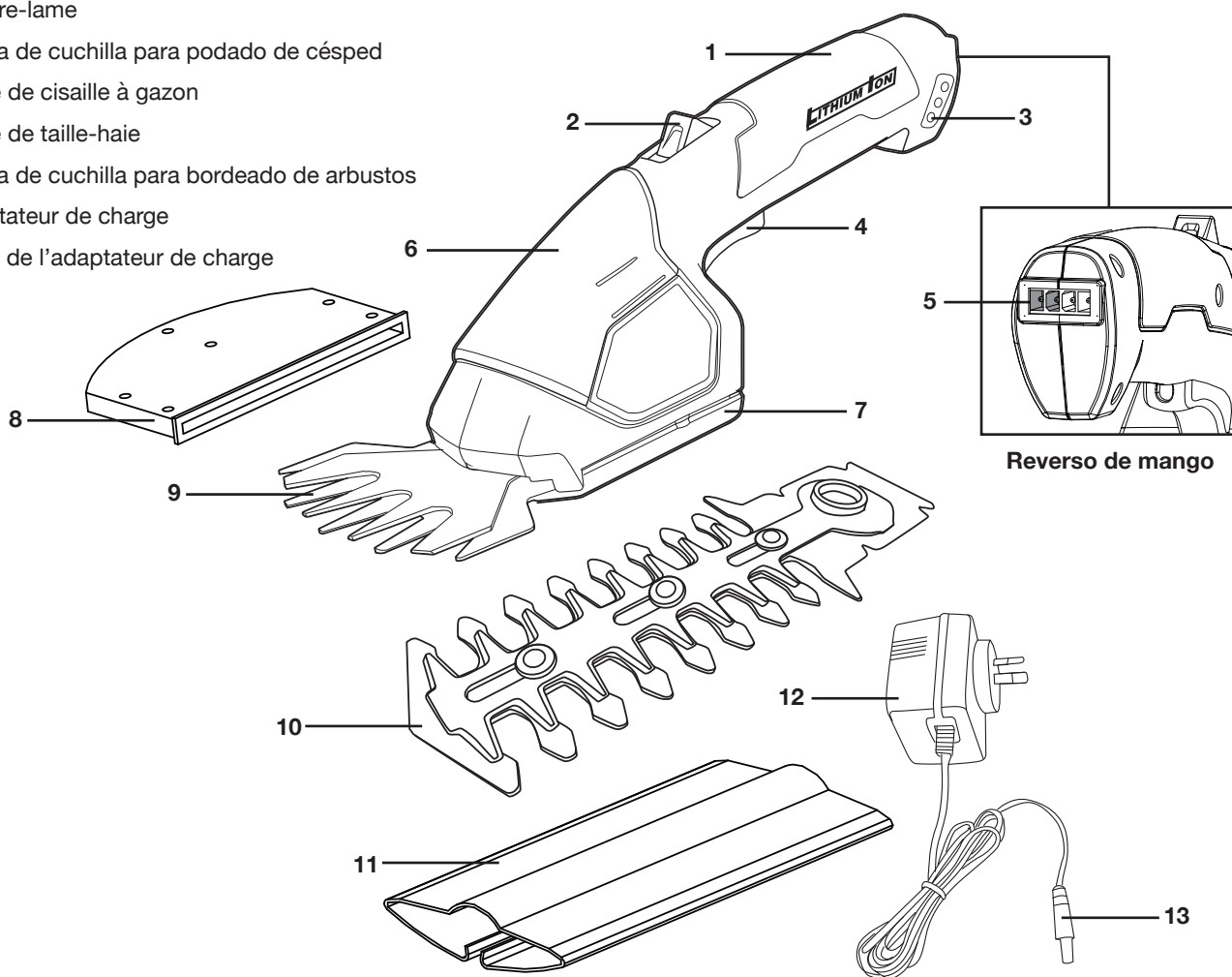
Símbolos de seguridad

La siguiente tabla muestra y describe los símbolos de seguridad que pueden aparecer en este producto. Lea, comprenda y siga todas las instrucciones de esta herramienta antes de intentar ensamblarla y operarla.

Símbolo	Descripción	Símbolo	Descripción
	LEA EL(LOS) MANUAL(ES) DEL OPERADOR: lea, comprenda y siga todas las instrucciones en el(los) manual(es) antes de intentar ensamblar y operar esta unidad.		ALERTA DE SEGURIDAD: indica una precaución, advertencia o peligro.
	¡ADVERTENCIA! No exponga la unidad a la lluvia o a condiciones húmedas. Manténgala seca.		El cargador de batería contiene un transformador de seguridad.
	Utilice guantes protectores y calzado no deslizante al usar la máquina y al manipular desechos.		Use calzado protector anti-deslizante durante la operación para proteger sus pies.
	Utilice el cargador de batería solamente en interiores.		Use protección para los ojos.
	¡PELIGRO! Mantenga una distancia suficiente de las líneas eléctricas.		Use protección para la cabeza.
	Los objetos arrojados y la cuchilla giratoria pueden causar lesiones severas.		Mantenga a los transeúntes a una distancia segura del área de trabajo.
	¡PELIGRO! Mantenga las manos alejadas de la cuchilla.		¡ADVERTENCIA! El accesorio de corte continúa moviéndose luego de que el motor ha sido apagado.

Conozca su podadora de césped + bordeadora de arbustos

1. Mango de podadora de césped + bordeadora de arbustos
2. Botón de trabado de seguridad
3. Indicador de nivel de carga
4. Gâchette marche-arrêt
5. Prise pour l'adaptateur de charge
6. Caisson moteuro
7. Couvre-lame
8. Funda de cuchilla para podado de césped
9. Lame de cisaille à gazon
10. Lame de taille-haie
11. Funda de cuchilla para bordeado de arbustos
12. Adaptateur de charge
13. Fiche de l'adaptateur de charge



Datos técnicos

Voltaje de batería*	7.2 V	Tiempo de carga máx.	5 horas
Capacidad de la batería	1.5 Ah	Cuchilla podadora de césped	4 plg (10.2 cm)
Tipo de batería	Iones de Litio	Cuchilla de bordeado de arbustos	6 plg (15.2 cm)
Cargador.....	Incluido	Diámetro de corte de bordeado de arbustos.....	0.3 plg (0.8 cm)
Entrada de cargador.....	100 V a 125 V ~ 50/60 Hz	Velocidad sin carga	1,250 RPM ±10%
Salida de cargador	9 V = 0.4 A	Peso neto	2.5 lb (1.14 kg)

* El voltaje inicial sin carga, cuando la batería está cargada por completo, alcanza un máximo de 8.4 V. El voltaje nominal bajo una carga típica es de 7.2 V

Desembalaje

Contenido del paquete

- Podadora de césped + bordeadora de arbustos inalámbrica
- Cuchilla para bordeado de arbustos
- Funda de cuchilla para bordeado de arbustos
- Cuchilla para podado de césped
- Funda de cuchilla para podado de césped
- Cargador
- Manual con tarjeta de registro

1. Retire cuidadosamente la podadora de césped + bordeadora de arbustos y compruebe que todos los artículos anteriores estén incluidos.
2. Inspeccione cuidadosamente el producto para asegurarse de que no haya ocurrido ningún daño o ruptura durante el transporte. Si alguna parte está dañada o extraviada, NO DEVUELVA la unidad a la tienda. Llame al centro de servicio al cliente Snow Joe® + Sun Joe® al 1-866-SNOWJOE (1-866-766-9563).

NOTA: no se deshaga de la caja de transporte ni del material de embalaje hasta que usted esté listo para usar su nueva podadora de césped + bordeadora de arbustos inalámbrica. El empaquetado está hecho de materiales reciclables. Deseche estos materiales en conformidad con los reglamentos locales.

¡IMPORTANTE! El equipo y los materiales de embalaje no son juguetes. No deje que los niños jueguen con bolsas plásticas, láminas o partes pequeñas. ¡Estos objetos pueden ser tragados y representan un riesgo de asfixia!

Ensamblado

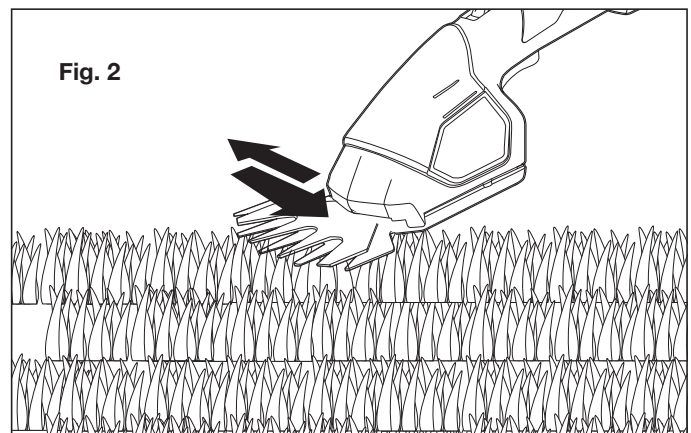
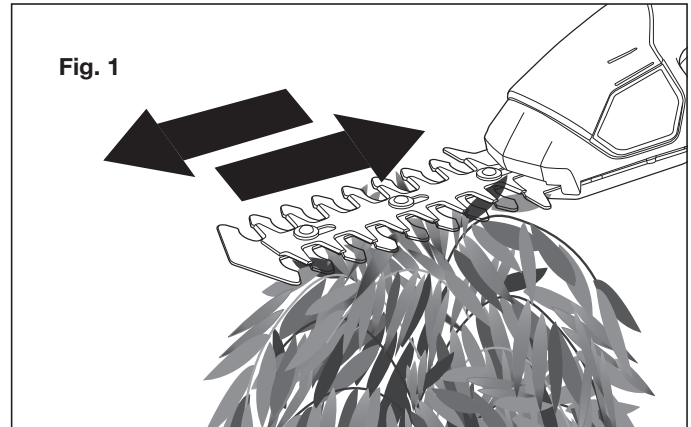
Esta podadora de césped + bordeadora de arbustos inalámbrica viene completamente ensamblada con la cuchilla podadora de césped pre-instalada.

⚠ ¡PRECAUCIÓN! Use guantes de protección al manipular las cuchillas.

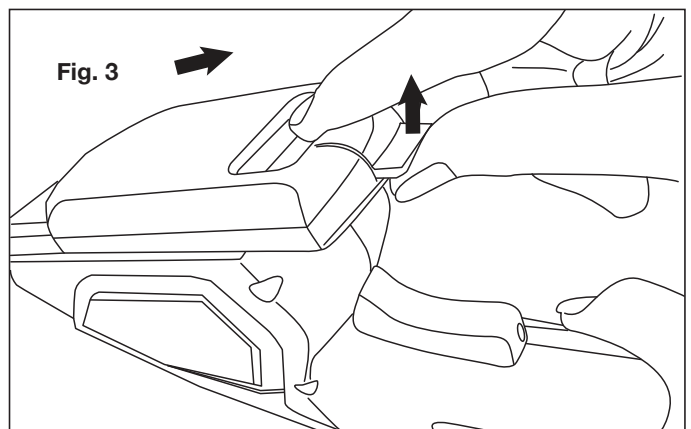
⚠ ¡ADVERTENCIA! Asegúrese de que la unidad esté apagada antes de manipular las cuchillas.

Colocación y cambio de cuchillas

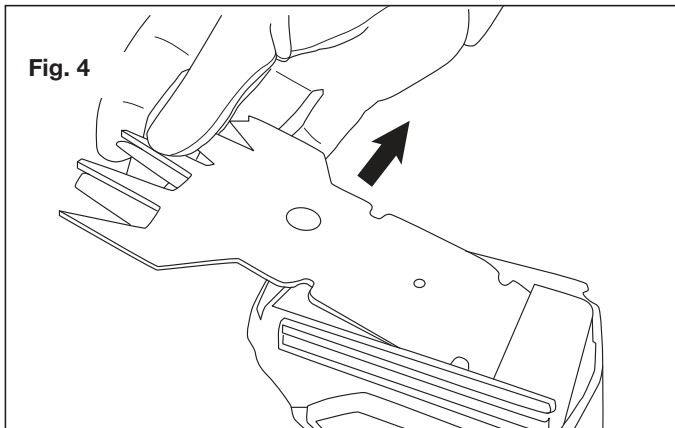
La podadora de césped + bordeadora de arbustos está equipada con dos cuchillas intercambiables, diseñadas para proyectos tipo “hágalo usted mismo” de jardinería estética en su jardín. La cuchilla de la bordeadora de arbustos es usada para cortar arbustos y matorrales (Fig. 1), mientras que la cuchilla de la podadora de césped es usada para cortar césped y arbustos que requieren un detalle más fino (Fig. 2).



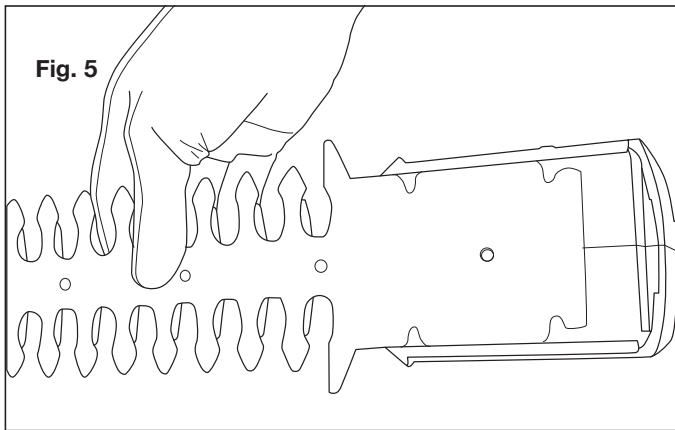
1. Para instalar o cambiar la cuchilla, coloque la podadora de césped + bordeadora de arbustos en una superficie dura. Coloque la unidad al revés con una mano, y use la otra mano para levantar delicadamente la lengüeta de la cubierta de la cuchilla. Deslice la lengüeta hacia atrás hasta que la cubierta pueda ser retirada (Fig. 3).



2. Retire delicadamente la cuchilla levantando la punta extrema de la cuchilla fuera de la podadora de césped + bordeadora de arbustos (Fig. 4).

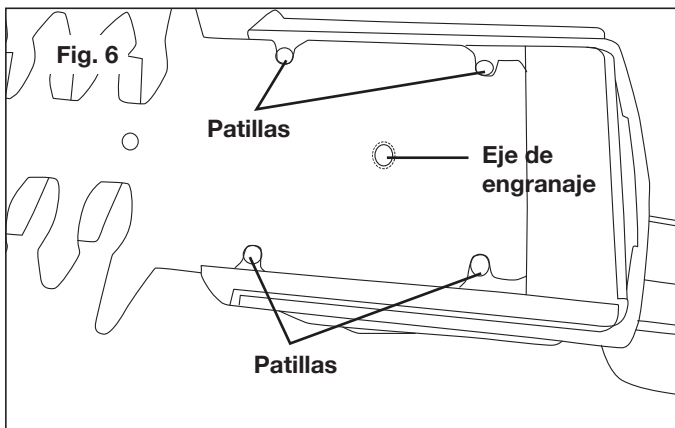


3. Inserte la cuchilla deseada dentro de la base de la carcasa del motor (Fig. 5).

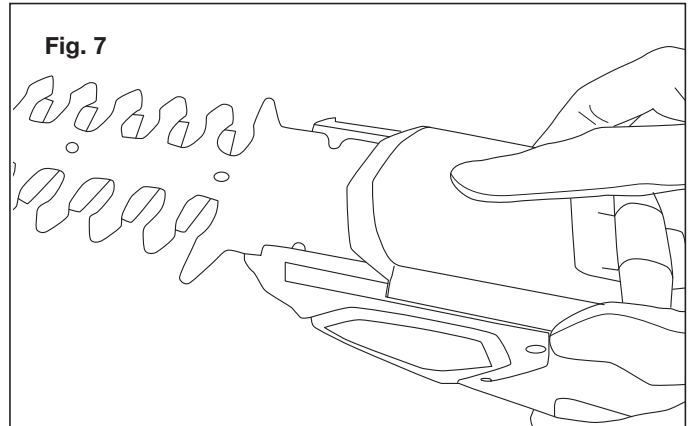


NOTA: usted puede tener que mover de forma manual la cuchilla o eje de engranaje para alinear el eje de engranaje con el engranaje en el centro de la unidad.

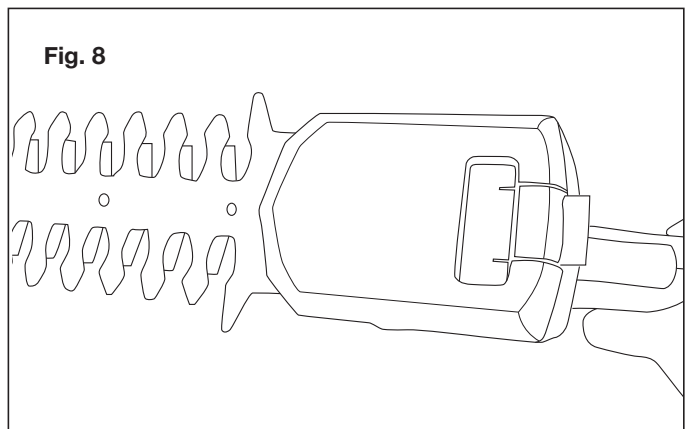
4. Alinee el eje de engranaje en el medio de la cuchilla con el engranaje en el medio de la unidad. Alinee las cuatro (4) patillas de manera que la cuchilla yaza plana contra la carcasa para un encaje seguro (Fig. 6).



5. Una vez que la cuchilla esté en su posición, reemplace la cubierta de la cuchilla alineando la cubierta con las ranuras en la base de la carcasa del motor (Fig. 7).



6. Empuje hacia adelante la cubierta, deslizándola hasta que encaje correctamente (haciendo clic) (Fig. 8). La podadora de césped + bordeadora de arbustos está ahora lista para ser usada.



NOTA: si tiene preguntas o necesita ayuda, comuníquese con el centro de servicio al cliente Snow Joe® + Sun Joe® llamando al 1-866-766-9563 (1-866-SNOWJOE).

Antes del uso

Procedimiento de carga

El cargador de batería suministrado es compatible con la batería de iones de litio instalada en la herramienta. No use otros cargadores de batería.

La batería de iones de litio está protegida contra descargas en exceso. Cuando la batería esté completamente agotada, un circuito protector APAGARÁ de forma automática la máquina. La cuchilla ya no se moverá y se oirá una leve sibilancia.

Cargue la batería durante 3 a 5 horas, luego úsela hasta que se agote (es decir, hasta que la herramienta empiece a trabajar con lentitud). Vuelva a recargar durante 3 a 5 horas antes de volver a trabajar.

⚠ ¡ADVERTENCIA! Un uso excesivo y continuo del gatillo interruptor puede dañar permanentemente la batería de iones de litio.

⚠ ¡PRECAUCIÓN! Este cargador no se apaga de forma automática cuando la batería está completamente cargada. Tenga cuidado de no dejar la podadora de césped + bordeadora de arbustos enchufada en el cargador. Apague o desenchufe el cargador del tomacorriente cuando la carga haya sido completada.

NOTA: la luz LED indicadora de nivel de carga se iluminará en rojo cuando el cargador esté enchufado y cargando la batería de la podadora de césped + bordeadora de arbustos. La luz LED del medio se tornará verde cuando la podadora de césped + bordeadora de arbustos esté completamente cargada.

El proceso de carga empieza tan pronto como el cargador está enchufado al tomacorriente adecuado y a la herramienta.

- Durante el proceso de carga, el mango de la herramienta se sentirá ligeramente tibio al tacto. Esto es normal.
- Cuando no se vaya a usar la herramienta por un periodo prolongado de tiempo, desconecte el cargador de batería del tomacorriente y de la unidad.
- No utilice la herramienta durante el proceso de carga.

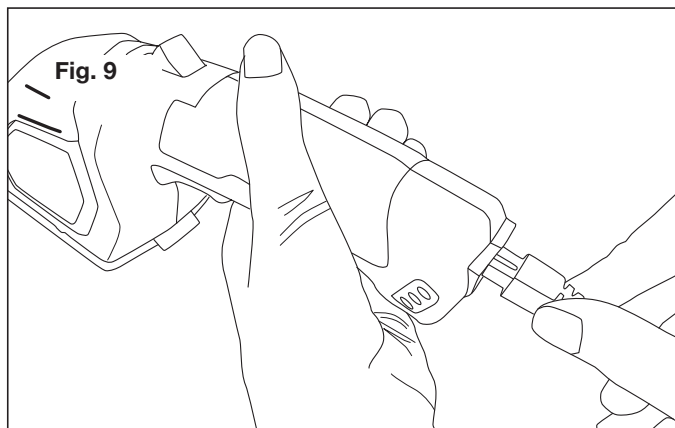
Carga de batería

El tiempo de trabajo entre cada carga varía dependiendo del tipo de labor que usted realiza. La batería en esta podadora de césped + bordeadora de arbustos ha sido diseñada para brindar un ciclo de vida útil máximo sin problemas. Sin embargo, como todas las baterías, eventualmente se desgastará. Para obtener el más prolongado ciclo de vida útil de su batería, recomendamos lo siguiente:

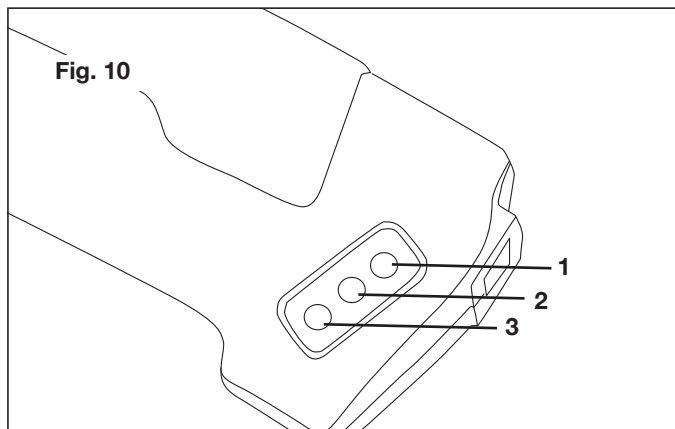
- Guarde y cargue su podadora de césped + bordeadora de arbustos en un área fría. Las temperaturas por encima o debajo del rango de temperaturas ambiente reducirá el ciclo de vida útil de la batería.
- Nunca guarde la podadora de césped + bordeadora de arbustos con la batería descargada. Recargue la batería inmediatamente luego de que haya sido descargada.
- Todas las baterías pierden gradualmente su carga. A más alta la temperatura, más rápido pierden su carga. Si usted almacena su podadora de césped + bordeadora de arbustos por periodos prolongados de tiempo sin usarla, recargue la batería cada seis meses. Esto extenderá el ciclo de vida útil de la batería.

NOTA: la batería de la podadora de césped + bordeadora de arbustos ha sido empacada con carga baja y debe ser cargada por completo antes del uso.

1. Enchufe el adaptador del cargador en un tomacorriente activo CA apropiado. Conecte el conector de carga del adaptador CA al receptáculo de cargador de la podadora de césped + bordeadora de arbustos para empezar a cargarla (Fig. 9).



2. La luz LED #1 se iluminará en rojo al cargar. Las luces LED #2 y #3 no se iluminarán durante la carga (Fig. 10).



3. La batería tomará aproximadamente 3 horas en cargarse. La carga puede tardar hasta 5 horas debido al nivel de carga restante en la batería y a la temperatura del ambiente.

NOTA: una luz LED indicadora de nivel de carga estará siempre iluminada cuando el cargador esté enchufado a un tomacorriente activo. El indicador de carga identifica el estado de carga de la podadora de césped + bordeadora de arbustos tal como se muestra a continuación:

Estado de carga	Color de luz LED	Luces LED iluminadas
Cargando	Rojo	1- Rojo, 2- No iluminada, 3- No iluminada
Totalmente cargada	Verde	1- No iluminada, 2- Verde, 3- No iluminada
Carga baja	Amarillo	1- No iluminada, 2- No iluminada, 3- Amarillo

Operación

¡IMPORTANTE! El producto está destinado para un servicio ligero de podado de arbustos y bordes de jardines residenciales.

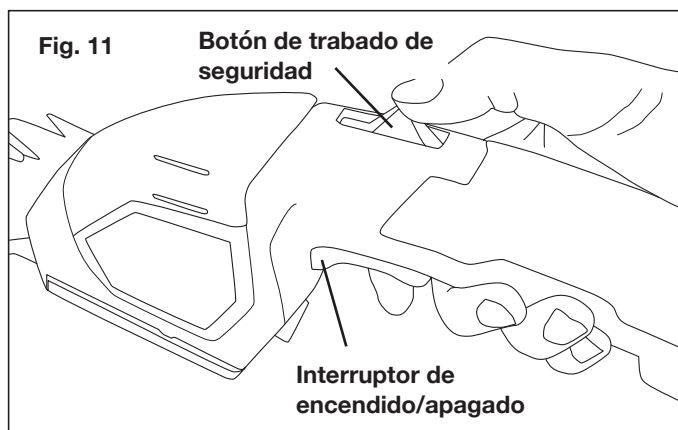
NOTA: cargue la batería durante 3 a 5 horas, luego úsela hasta que se agote (es decir, hasta que la herramienta solo opere lentamente y el indicador de carga esté iluminado con luz amarilla). Vuelva a recargar durante 3 a 5 horas antes de volver a trabajar.

⚠ ¡ADVERTENCIA! Las cuchillas continúan girando por algunos segundos luego de que la herramienta es apagada. APAGUE la herramienta y espere hasta que las cuchillas se hayan detenido por completo antes de realizar tareas de ajuste o limpieza.

⚠ ¡PRECAUCIÓN! Nunca toque la cuchilla o riel de cuchilla mientras la herramienta esté operando, y preste atención a los bordes afilados, incluso cuando la podadora de césped + bordeadora de arbustos no esté en uso.

Arranque + parada

1. Para encenderla, presione y mantenga presionado el botón de trabado de seguridad con su pulgar, presionando al mismo tiempo el gatillo interruptor de encendido/apagado con su dedo índice. Una vez que el gatillo interruptor hace contacto, usted puede soltar el botón de trabado de seguridad y proceder con la operación (Fig. 11).



NOTA: el botón de trabado de seguridad reduce el riesgo de encendidos accidentales.

2. Para apagar, suelte el gatillo interruptor de encendido/apagado (Fig. 11).

⚠ ¡PRECAUCIÓN! No fuerce las cuchillas en vegetación densa. Si las cuchillas se desaceleran, disminuya su ritmo de corte. En caso de que las cuchillas se atasquen, suelte el gatillo inmediatamente. No use sus dedos para liberar cuchillas atascadas. Las cuchillas atascadas pueden soltarse repentinamente causando lesiones severas.

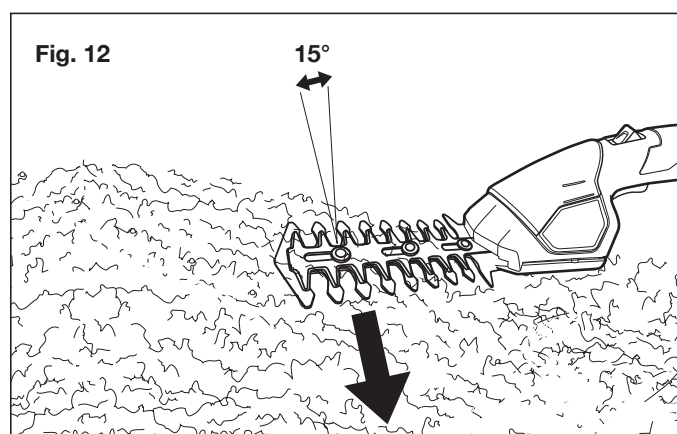
⚠ ¡PRECAUCIÓN! Asegúrese siempre de mantener un balance y posición adecuados, así como un entorno limpio de trabajo antes de encender la podadora de césped + bordeadora de arbustos.

NOTA: la luz LED amarilla indicadora de carga se iluminará cuando la batería esté agotándose y requiera ser cargada.

Consejos de bordeado

⚠ ¡ADVERTENCIA! Solo use la cuchilla de bordeado para esta operación. Nunca use el tubo telescópico para bordear arbustos.

NOTA: trate de mantener el dispositivo de corte a un ángulo de aproximadamente 15° con la superficie de corte (Fig. 12).



1. **Dar forma:** un arbusto debe ser podado para lograr una forma trapezoidal. Debe ensancharse hacia su parte inferior en ambos lados. Dar forma a un arbusto de esta forma mejora la penetración de luz a las ramas inferiores. Una regla general es cortar diagonalmente el arbusto aproximadamente 4 plg (10 cm) por cada 39 plg (1 m) de altura de arbusto.
2. **Secuencia de corte:** primero corte ambos lados; empiece abajo y trabaje hacia arriba. Esto evita que los cortes caigan en el área que a usted le falta podar.
3. **Corte de extremos:** donde las ramas hayan crecido demasiado largo, corte el arbusto en varias etapas. Los cortes más pequeños que se obtengan son los más adecuados para el compostaje.
4. **Podado de ramas gruesas:** cuando arbustos más viejos van a ser podados bastante, use tijeras de podar o algún otra herramienta para cortar ramas más gruesas (de más de 0.3 plg [8 mm] de diámetro) a la longitud deseada antes de empezar a trabajar con la bordeadora de arbustos.

Para dar forma con precisión, pase un cordel tenso entre los bordes extremos del arbusto y luego corte a lo largo de la línea.

Asegúrese de que la cuchilla no haga contacto con ningún objeto duro que pueda dañarla, tal como una cerca de alambre o soportes metálicos de plantas.

Mantenimiento

⚠ ¡ADVERTENCIA! Siempre apague la herramienta y deje que se enfríe antes de inspeccionarla, repararla y limpiarla.

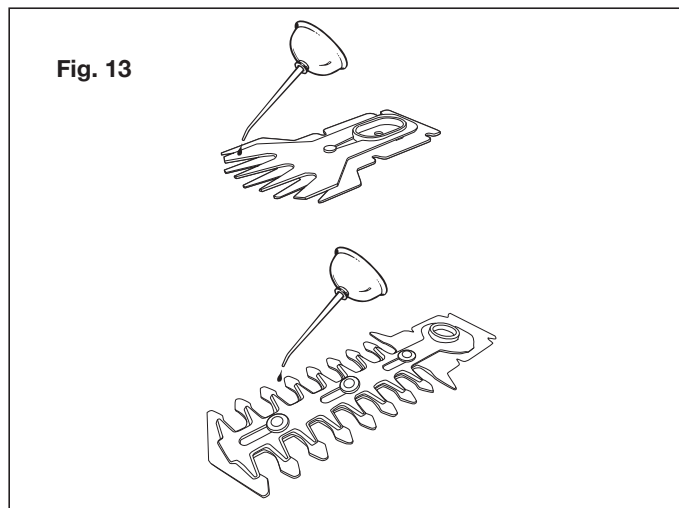
1. Mantenga siempre limpios los conductos de ventilación de la herramienta. De ser posible, evite que objetos extraños entren a los conductos.
2. Si la carcasa de la podadora requiere limpieza, no use solventes para limpiarla. Solo use un paño suave humedecido. Nunca deje que ningún líquido entre a la herramienta, y nunca sumerja ninguna parte de la herramienta en ningún líquido.
3. La barra de la cuchilla debe ser limpiada y tratada con aceite ligero para máquina o lubricante en aerosol (tal como WD40, CRC 5.56 o RP7) luego de cada uso. Cuando un trabajo se prolonga demasiado, se recomienda que la barra de la cuchilla también sea tratada con lubricante en aerosol en intervalos regulares DURANTE la operación.
4. Inspeccione el producto antes de cada uso en busca de partes gastadas o dañadas. No lo opere si encuentra partes rotas o gastadas.

Mantenimiento de la cuchilla

Para garantizar años de operación eficiente y sin problemas, se debe llevar a cabo la limpieza de la cuchilla si se han acumulado residuos y resinas, o si usted vive en un área donde el suelo es arenoso. Limpiar acumulaciones inusualmente densas puede requerir el retiro de las cuchillas.

NOTA: Snow Joe® + Sun Joe® no se responsabilizará de ningún daño o lesión causada por la reparación de la podadora hecha por una persona no autorizada, o por el uso incorrecto de la podadora de césped + bordeadora de arbustos.

1. Mantenga las cuchillas de corte limpias y libres de residuos. Retire los recortes de vegetación.
2. Aplique una pequeña capa de lubricante apropiado sobre las cuchillas para mantener un buen rendimiento de corte (Fig. 13).

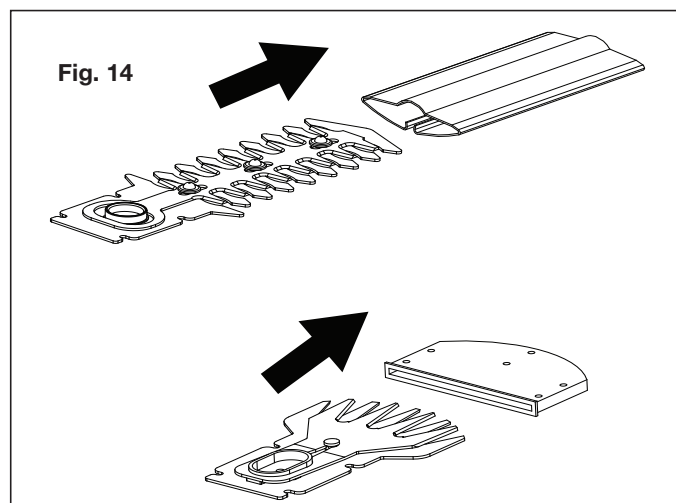


3. Mantenga las cuchillas afiladas. Haga que las partes dañadas o gastadas sean reemplazadas con nuevas del mismo tipo por un especialista calificado. Los accesorios se pueden ordenar en línea visitando sunjoe.com o por teléfono llamando a la central de servicio al cliente Snow Joe® + Sun Joe® al 1-866-SNOWJOE (1-866-766-9563).

Almacenamiento

Cuando la herramienta no esté en uso por varios meses, es ideal dejar la batería conectada al cargador. Para un almacenamiento óptimo, proceda como se indica:

- Cargue la batería por completo;
- Limpie el producto como se describe anteriormente; y
- Coloque las fundas sobre las cuchillas (Fig. 14).



- Guarde la herramienta en un lugar seco y seguro. La temperatura de almacenamiento debe siempre mantenerse en el rango entre 41°F (5°C) y 104°F (40°C).
- Antes de usar la herramienta luego de un almacenamiento prolongado, recargue por completo la batería.

Precaución y eliminación de la batería

Deshágase de su batería de acuerdo con los reglamentos federales, estatales y locales. Contacte a un servicio de reciclaje en su área para llevarla a un centro de reciclaje.

⚠ ¡PRECAUCIÓN! Incluso las baterías descargadas contienen algo de energía. Antes de deshacerse de estas, use cinta aislante para cubrir los terminales y evitar que la batería haga cortocircuito, lo cual puede causar una explosión o incendio.

⚠ ¡ADVERTENCIA! Para reducir el riesgo de lesión o explosión, nunca quemé o incinere una batería, incluso si está dañada, inservible o completamente descargada. Al ser quemada, los humos y materiales tóxicos son emitidos a la atmósfera circundante.

1. Las baterías varían de acuerdo al dispositivo. Consulte su manual para obtener la información específica.
2. Instale solo nuevas baterías del mismo tipo en su producto (donde corresponda).
3. No insertar las baterías con la polaridad correcta, tal como se indica en el compartimento de la batería o en el manual, puede reducir el ciclo de vida útil de las baterías o causar fugas en estas.
4. No combine baterías nuevas con antiguas.
5. No combine baterías alcalinas, estándar (de zinc-carbono) o recargables (de níquel-cadmio, de níquel-hidruro metálico o de iones de litio).
6. No arroje las baterías al fuego.
7. Las baterías deben ser recicladas o desechadas según los reglamentos locales y estatales.

Servicio y soporte

Si su podadora de césped + bordeadora de arbustos inalámbrica de Sun Joe® requiere servicio o mantenimiento, llame a la central de servicio al cliente Snow Joe® + Sun Joe® al 1-866-SNOWJOE (1-866-766-9563).

Modelo y número de serie

Al contactar a la empresa o al ordenar partes de repuesto, usted necesitará proveer el modelo y el número de serie de su producto. Estos se encuentran en la etiqueta pegada a la cubierta o guarda de su podadora de césped + bordeadora de arbustos. Copie estos números en el espacio proporcionado a continuación.

Registre los siguientes números que se encuentran en la carcasa o mango de su nuevo producto:

N° de modelo:											
H	J	6	0	4	C						
N° de serie:											

HJ604C-CHRG

Federal Communications Commission (Comisión Federal de Comunicaciones o FCC):

⚠ ¡ADVERTENCIA! Cualquier cambio o modificación a esta unidad no aprobados expresamente por la parte responsable del cumplimiento pueden hacer que el usuario pierda el derecho de utilizar el equipo.

Dispositivo Clase B:

NOTA: este equipo ha sido probado y cumple con los límites de la Clase B de dispositivos digitales, de acuerdo con la Parte 15 de las normas de la FCC.

Estos límites están diseñados para proporcionar protección razonable contra interferencia dañina en una instalación residencial.

Este equipo genera, usa y puede irradiar energía de radiofrecuencia y, si no se instala y utiliza de acuerdo con las instrucciones, puede provocar interferencias perjudiciales en las comunicaciones radiofónicas.

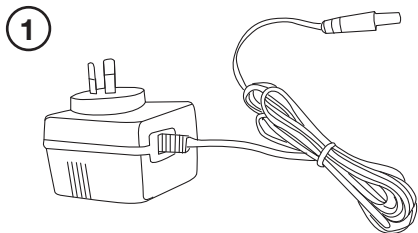
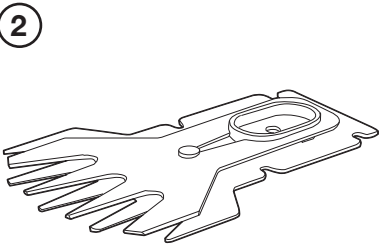
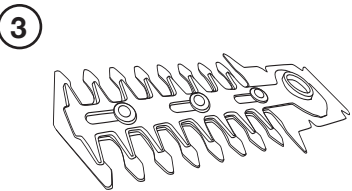
No obstante, no hay garantía alguna de que no se produzcan interferencias en una instalación concreta.

Si este equipo llegara a causar interferencia perjudicial para la recepción de radio o televisión, lo que se puede determinar apagando y encendiendo el equipo, se recomienda que el usuario trate de corregir la interferencia tomando una o más de las siguientes medidas:

- Reoriente o reubique la antena de recepción.
- Aumente la distancia entre el equipo y el receptor.
- Conecte el equipo a una salida correspondiente a un circuito diferente de aquel al que está conectado el receptor.
- Consulte a un comerciante o a un técnico experimentado de radio y televisión.

Accesorios opcionales

⚠ ¡ADVERTENCIA! USE SIEMPRE solo partes de repuesto y accesorios Snow Joe® + Sun Joe®. NUNCA use partes de repuesto o accesorios que no estén destinados para su uso con esta podadora de césped + bordeadora de arbustos inalámbrica. Comuníquese con Snow Joe Snow Joe® + Sun Joe® si tiene dudas sobre si es seguro usar una parte de repuesto o accesorio en particular con su podadora de césped + bordeadora de arbustos. El uso de cualquier otro accesorio o parte puede ser peligroso y puede causar lesiones personales o daños mecánicos.

Accesorio	Descripción	Modelo
 <p>1</p>	Adaptador de carga CA	HJ604C-CHRG
 <p>2</p>	Cuchilla para podado de césped	HJ604C-1.10
 <p>3</p>	Cuchilla para bordeado de arbustos	HJ604C-1.11

NOTA: los accesorios están sujetos a cambios sin obligación alguna por parte de Snow Joe® + Sun Joe® de notificar sobre dichos cambios. Los accesorios pueden ser pedidos en línea en sunjoe.com o vía telefónica llamando a la central de servicio al cliente Snow Joe®+ Sun Joe® al 1-866-SNOWJOE (1-866-766-9563).



LA PROMESA DE SNOW JOE® + SUN JOE® AL CLIENTE

POR SOBRE TODO, en Snow Joe, LLC (“Snow Joe”) estamos dedicados a usted, nuestro cliente. Nos esforzamos por hacer que su experiencia sea lo más placentera posible. Desafortunadamente, hay veces en que un producto Snow Joe®, Sun Joe®, o Aqua Joe® (el “Producto”) no funciona o sufre un desperfecto bajo condiciones normales de operación. Creemos que es importante que usted sepa que puede confiar en nosotros. Es por eso que tenemos esta Garantía Limitada (la “Garantía”) para nuestros Productos.

NUESTRA GARANTÍA:

Snow Joe garantiza que sus Productos motorizados y no motorizados, nuevos y genuinos, están libres de defectos materiales o de mano de obra al ser usados en tareas domésticas normales durante un periodo de dos (2) años a partir de la fecha de compra por parte del comprador original y usuario final, cuando este último los compra a través de Snow Joe o un vendedor autorizado por Snow Joe y ha obtenido un comprobante de compra. Ya que Snow Joe no puede controlar la calidad de sus Productos vendidos por vendedores no autorizados, a menos que la ley lo prohíba esta Garantía no cubre Productos adquiridos a través de vendedores no autorizados. Si su Producto no funciona, o hay un problema con una parte específica que está cubierta por los términos de esta Garantía, Snow Joe elegirá entre: (1) enviarle una parte de repuesto gratuita; (2) reemplazar el Producto con uno nuevo o similar sin costo alguno; o (3) reparar el Producto. ¡Un excelente soporte!

Esta Garantía le da derechos legales específicos, y usted puede también tener otros derechos según el Estado.

REGISTRO DEL PRODUCTO:

Snow Joe le recomienda enfáticamente registrar su Producto. Usted puede registrar su Producto en línea visitando snowjoe.com/register, imprimiendo y enviando por correo una tarjeta de registro disponible en línea en nuestro sitio Web, llamando a nuestra central de servicio al cliente al **1-866-SNOWJOE (1-866-766-9563)**, o enviándonos un e-mail a help@snowjoe.com. Si usted no registra su Producto sus derechos de garantía no disminuirán; sin embargo, registrar su Producto permitirá que Snow Joe le pueda atender mejor si usted tiene alguna necesidad como cliente.

¿QUIÉN PUEDE SOLICITAR COBERTURA DE GARANTÍA LIMITADA?

Esta Garantía es otorgada por Snow Joe al comprador original y propietario original del Producto.

¿QUÉ NO ESTÁ CUBIERTO?

Esta Garantía no se aplica si el Producto ha sido usado de forma comercial o en aplicaciones no domésticas o de alquiler. Esta Garantía tampoco se aplica si el Producto fue adquirido desde un vendedor no autorizado. Esta garantía tampoco cubre cambios cosméticos que no afecten el funcionamiento del Producto. Las partes desgastables como correas, brocas y cuchillas no están cubiertas por esta Garantía, y pueden ser compradas visitando snowjoe.com o llamando al **1-866-SNOWJOE (1-866-766-9563)**.


IMPORTANT!

Consignes de sécurité

Tous les utilisateurs doivent lire ces instructions avant d'utiliser l'outil

Suivez toujours ces consignes de sécurité. Ne pas s'y conformer peut entraîner de graves blessures pouvant même être fatales.

AVERTISSEMENTS d'ordre général en matière de sécurité!

Prenez note du symbole d'alerte de sécurité personnelle  utilisé dans ce manuel pour attirer votre attention sur un AVERTISSEMENT s'appliquant à une consigne d'utilisation particulière. Ce symbole indique que cette utilisation nécessite d'être particulièrement **VIGILANT**, de **PRENDRE DES PRÉCAUTIONS** et d'être **CONSCIENT DES DANGERS**.

Lors de l'utilisation de cet outil électrique, les précautions de sécurité de base doivent toujours être suivies pour réduire le risque d'incendie, d'électrocution ou de dommages corporels ou matériels.

⚠ AVERTISSEMENT! Cet outil peut être dangereux! Une utilisation irréfléchie ou inappropriée peut être à l'origine de graves blessures.

⚠ AVERTISSEMENT! Les lames rotatives peuvent vous couper. Garder les mains et les pieds éloignés de la zone de coupe.

Conservez ce manuel pour le consulter éventuellement dans le futur et relisez-le au début de chaque saison de taille.

⚠ AVERTISSEMENT! Cet outil électrique alimenté par un bloc-pile doit être uniquement rechargé en utilisant l'adaptateur de charge spécifiquement conçu pour le bloc-pile. Un chargeur qui peut être adapté pour un type de bloc-pile peut présenter un risque d'incendie quand il est utilisé avec un autre type de bloc-pile.

- Évitez tout démarrage accidentel.
- Quand vous n'utilisez pas l'outil, maintenez-le éloigné de tout ce qui est en métal.

- Avant d'utiliser l'outil, lisez le manuel en entier et attentivement et assurez-vous de savoir comment arrêter l'outil en cas d'urgence.

Sécurité de la zone de travail

1. **Maintenir la zone de travail propre et bien éclairée.** Les endroits encombrés et sombres sont propices aux accidents.
2. **Ne pas utiliser d'outils électriques quand l'atmosphère est explosive, par exemple en présence de liquides inflammables, de gaz ou de poussière.** Les outils électriques produisent des étincelles qui peuvent enflammer la poussière ou les vapeurs.
3. **Maintenir les spectateurs et les enfants à bonne distance.** Tous les spectateurs, notamment les enfants et les animaux familiers, doivent être maintenus à une distance de sécurité de la zone de travail.

Sécurité électrique

1. Si le câble du chargeur de bloc-pile est endommagé, veuillez appeler le service clientèle Snow Joe[®] + Sun Joe[®] au 1-866-SNOWJOE (1-866-766-9563).
2. S'il vous est impossible de charger l'outil électrique dans un endroit humide, utilisez une alimentation électrique protégée par un dispositif différentiel à courant résiduel. Ce type de dispositif de protection réduit le risque de décharge électrique.
3. **Les fiches électriques doivent correspondre à la prise. N'apportez aucune modification, quelle qu'elle soit, à la fiche.** N'utilisez pas d'outils électriques ou de chargeurs de bloc-pile mis à la terre. Des fiches non modifiées et des prises correspondantes réduiront le risque d'électrocution.
4. **Évitez tout contact du corps avec tout ce qui est mis à la terre, p. ex., tuyaux, radiateurs, fourneaux de cuisine et réfrigérateurs.** Il y a un risque accru d'électrocution si votre corps est relié à la terre.
5. **N'utilisez pas les outils électriques sous la pluie ou par forte humidité.** L'eau qui pénètre dans un outil électrique augmente le risque d'électrocution.
6. **N'utilisez pas le cordon du chargeur à mauvais escient.** N'utilisez jamais le cordon pour transporter, tirer ou débrancher l'outil électrique. Maintenez le cordon éloigné de la chaleur, de l'huile, des arêtes tranchantes ou des pièces en mouvement. Les cordons endommagés ou emmêlés augmentent le risque d'électrocution.

7. L'adaptateur de charge de bloc-pile est conçu pour être utilisé uniquement à l'intérieur. Chargez uniquement à l'intérieur cet outil alimenté par bloc-pile.

Sécurité personnelle

1. **Restez vigilant. Surveillez ce que vous faites et faites preuve de bon sens quand vous utilisez un outil électrique.** N'utilisez pas l'outil électrique quand vous êtes fatigué ou si vous avez consommé de l'alcool, de la drogue ou des médicaments. Quand vous utilisez un outil électrique, un moment d'inattention peut se traduire par de graves blessures.
2. **Utilisez un équipement de protection individuel. Protégez-vous toujours les yeux.** Des équipements de protection, par exemple des lunettes de sécurité, un masque protecteur contre la poussière, des chaussures de sécurité antidérapantes, un casque de protection ou une protection de l'ouïe, utilisés dans les conditions appropriées, réduiront le risque de se blesser.
3. **Prévenez les démarrages accidentels.** Avant de brancher l'outil sur une source d'alimentation en utilisant l'adaptateur de charge de bloc-pile, ou avant de saisir l'outil ou de le transporter, assurez-vous que l'interrupteur est sur la position d'arrêt. Le transport de l'outil électrique en maintenant le doigt sur l'interrupteur ou la recharge du bloc-pile quand l'interrupteur est sur la position de marche peut causer des accidents.
4. **Retirez toute clé de réglage ou autre clé avant de mettre en marche l'outil électrique.** Toute clé de réglage ou autre clé qui reste attachée à une pièce mobile de l'outil électrique peut blesser.
5. **Ne vous arc-boutez pas.** Restez en permanence sur les deux pieds pour ne pas perdre l'équilibre. Vous aurez alors un meilleur contrôle de l'outil électrique dans les situations imprévues.
6. **Habillez-vous en conséquence.** Ne portez ni vêtements amples ni bijoux. Tout ce qui est ballant ou qui pend peut se prendre dans les pièces mobiles. Il est recommandé de porter des gants en caoutchouc et des chaussures suffisamment montantes pour tout travail à l'extérieur. Les cheveux longs doivent être ramassés sous un couvre-chef.
7. **Utilisez au besoin un équipement protégeant de la poussière (p. ex., un masque protecteur contre la poussière).** L'utilisation de ce type d'équipement peut réduire les risques associés à la poussière.

Utilisation et entretien des outils électriques

1. **Ne forcez pas l'outil électrique.** Il exécutera le travail efficacement et dans de meilleures conditions de sécurité s'il est utilisé au régime pour lequel il a été conçu.
2. **N'utilisez pas l'outil électrique si le bouton-poussoir marche-arrêt ne fonctionne pas.** Un outil électrique qui ne répond pas aux commandes de l'interrupteur marche-arrêt est dangereux et doit être réparé.

3. **Débranchez le bloc-pile de l'outil électrique avant de procéder à des réglages, de changer d'accessoire ou de ranger l'outil électrique.** Ces mesures préventives de sécurité visent à réduire le risque de démarrage accidentel de l'outil électrique.
4. **Rangez vos outils électriques à l'intérieur quand vous ne les utilisez pas.** Quand ils ne sont pas utilisés, les outils doivent être remis à l'intérieur dans un endroit sec, surélevé ou sous clé, hors de portée des enfants.
5. Entretenez vos outils avec soin. Vérifiez si les pièces mobiles sont correctement alignées et ne grippent pas, si des pièces sont cassées et tout ce qui pourrait compromettre le bon fonctionnement de l'outil électrique. Si l'outil électrique est endommagé, faites-le réparer avant de l'utiliser. Les outils électriques mal entretenus sont à l'origine de nombreux accidents.
6. **Maintenez les lames de coupe bien affûtées et propres.** Les lames de coupe bien entretenues et aux tranchants affûtés sont moins susceptibles de se gripper et sont plus faciles à contrôler.
7. **Utilisez l'outil électrique et les accessoires en respectant ces instructions et de la façon prévue en particulier pour cet outil électrique, en tenant compte des conditions de travail et de la tâche à effectuer.** L'utilisation de l'outil électrique pour des travaux différents de ceux auxquels il est destiné peut être à l'origine de situations dangereuses.
8. **Maintenez toutes les parties du corps éloignées de la lame de coupe.** Quand la lame est en mouvement, rien ne doit être retiré ou tenu à la main pour être coupé. Quand vous essayez de débloquer la lame, assurez-vous que le bouton-poussoir est sur la position d'arrêt. Quand vous utilisez l'outil, un moment d'inattention peut se traduire par de graves blessures.
9. **Transportez l'outil par la poignée, sa lame étant à l'arrêt complet.** Quand vous transportez ou rangez l'outil, remplacez toujours le couvre-lame. En maniant l'outil de façon appropriée, vous réduirez le risque que la lame vous blesse.
10. **Saisissez l'outil électrique en plaçant la main uniquement sur la surface isolée prévue à cet effet,** car la lame de coupe peut entrer en contact avec un câble ou un fil dissimulé. Quand une lame touche un fil ou un câble « sous tension », les pièces métalliques non isolées de l'outil électrique peuvent elles aussi être « sous tension » et électrocuter l'utilisateur.
11. **Avant d'utiliser l'outil, inspectez la haie pour vérifier qu'elle ne dissimule aucun corps étranger,** par exemple des clôtures de fil de fer. Veillez à ce que le dispositif de coupe ne vienne pas en contact avec un fil, un câble ou tout autre objet métallique.
12. **Tenez l'outil de façon appropriée,** par exemple des deux mains si l'outil est équipé de deux poignées. Toute perte de contrôle peut être à l'origine de blessures.

Entretien et réparation

1. Si votre outil électrique nécessite d'être réparé, communiquez avec un revendeur Snow Joe® + Sun Joe® agréé ou appelez le service clientèle Snow Joe® + Sun Joe® au 1-866-SNOWJOE (1-866-766-9563). Pour les réparations, il faut uniquement utiliser des pièces de rechange identiques. C'est à ce prix que la sécurité de l'outil électrique sera préservée.
2. Si le câble de charge de bloc-pile est endommagé, il doit être immédiatement remplacé pour éviter tout danger. Communiquez avec le service clientèle Snow Joe® + Sun Joe® en appelant le 1-866-SNOWJOE (1-866-766-9563) pour de l'aide.

Avertissements de sécurité concernant les blocs-piles

Ce manuel contient des consignes d'utilisation et de sécurité pour le bloc-pile et son adaptateur de charge.

1. Avant d'utiliser l'adaptateur de charge, lisez attentivement toutes les instructions et les étiquettes de mise en garde sur l'adaptateur et la cisaille à gazon/sculpte-haie sans cordon.

⚠ AVERTISSEMENT! Si le caisson de la cisaille à gazon/sculpte-haie est fissuré ou endommagé, ne branchez pas l'adaptateur de charge dans l'outil électrique ni branchez l'adaptateur sur le secteur. Il y a danger d'électrocution.

2. Cet adaptateur de charge est UNIQUEMENT destiné à charger ce bloc-pile rechargeable. Toute autre utilisation présente un danger d'incendie ou d'électrocution.
3. Ne placez rien sur la partie supérieure de l'adaptateur de charge et ne posez pas non plus l'adaptateur de charge sur une surface molle, l'intérieur de l'appareil pouvant dégager une chaleur excessive. Maintenez l'adaptateur de charge éloigné de toute source de chaleur.
4. Pour réduire le risque d'endommager la fiche électrique et le cordon, tirez sur la fiche et non sur le cordon quand vous débranchez l'adaptateur de charge de la prise.
5. Assurez-vous que le câble de l'adaptateur de charge de bloc-pile est dans un endroit ne présentant aucun danger, où personne ne pourra marcher dessus, trébucher, l'endommager ou tirer dessus involontairement.
6. Il ne faut pas utiliser de rallonge électrique à moins de nécessité absolue. L'utilisation inappropriée d'une rallonge électrique présente un danger d'incendie ou d'électrocution.
7. N'utilisez pas l'adaptateur de charge s'il a reçu un choc sérieux ou s'il a été endommagé d'une façon ou d'une autre. Avant de continuer à l'utiliser, communiquez avec le service clientèle Snow Joe® + Sun Joe® en appelant le 1-866-SNOWJOE (1-866-766-9563).
8. Ne démontez pas l'adaptateur de charge. Si l'adaptateur de charge nécessite un entretien ou une réparation, veuillez communiquer avec un revendeur Snow Joe® + Sun Joe® agréé ou appeler le service clientèle

Snow Joe® + Sun Joe® au 1-866-SNOWJOE (1-866-766-9563). Tout remontage mal effectué présente un danger d'électrocution ou d'incendie.

9. Pour réduire le risque d'électrocution, débranchez l'adaptateur de charge de la prise avant de nettoyer l'outil.
10. N'essayez jamais de brancher deux (2) adaptateurs de charge ensemble.
11. NE PAS ranger ou utiliser l'outil et le bloc-pile dans des endroits où la température peut atteindre ou dépasser 40 °C. Parmi les endroits dangereux pour ranger l'outil ou le bloc-pile figurent les remises de jardin ou les abris en métal l'été.
12. L'adaptateur de charge est conçu pour se brancher dans une prise de secteur domestique standard (120 V). N'essayez pas de le brancher dans une prise de tension différente!

REMARQUE : le bloc-pile intégré n'est pas complètement chargé quand on le sort de la caisse. Lisez les consignes de sécurité et suivez les instructions et les procédures pour le charger.

13. Le bloc-pile intégré aura une durée de vie plus longue et un rendement optimal s'il est chargé quand la température ambiante est entre 18 °C et 24 °C. Ne chargez pas le bloc-pile quand la température ambiante est inférieure à 10 °C ou supérieure à 40 °C. En suivant ces mesures de sécurité, vous éviterez d'endommager le bloc-pile.
14. N'incinerez pas le bloc-pile intégré, même s'il est gravement endommagé ou complètement usé. Le bloc-pile peut exploser quand on le jette au feu.
15. Les produits chimiques des batteries peuvent occasionner de graves brûlures : ne laissez jamais un bloc-piles endommagé entrer en contact avec la peau, les yeux ou la bouche. Du liquide peut être éjecté d'une batterie malmenée; évitez tout contact avec le liquide. Le liquide qui s'échappe de la batterie peut causer une irritation ou des brûlures. Si un bloc-piles endommagé laisse fuir des produits chimiques, utilisez des gants en caoutchouc ou en néoprène pour les éliminer sans danger. Si la peau est entrée en contact avec des fluides de batterie, lavez la zone affectée à l'eau et au savon et rincez au vinaigre. Si les yeux sont entrés en contact avec des produits chimiques de batterie, rincez immédiatement à grande eau pendant 20 minutes et consultez un médecin. Retirez les vêtements contaminés et jetez-les.

Avertissements de sécurité concernant la cisaille à gazon/sculpte-haie

Cet outil n'est pas destiné à être utilisé par les personnes (et notamment les enfants) ayant des capacités physiques, sensorielles ou mentales réduites ou manquant d'expérience ou de connaissances, à moins d'être supervisées ou d'avoir reçu des instructions concernant l'utilisation de l'outil par une personne responsable de leur sécurité.

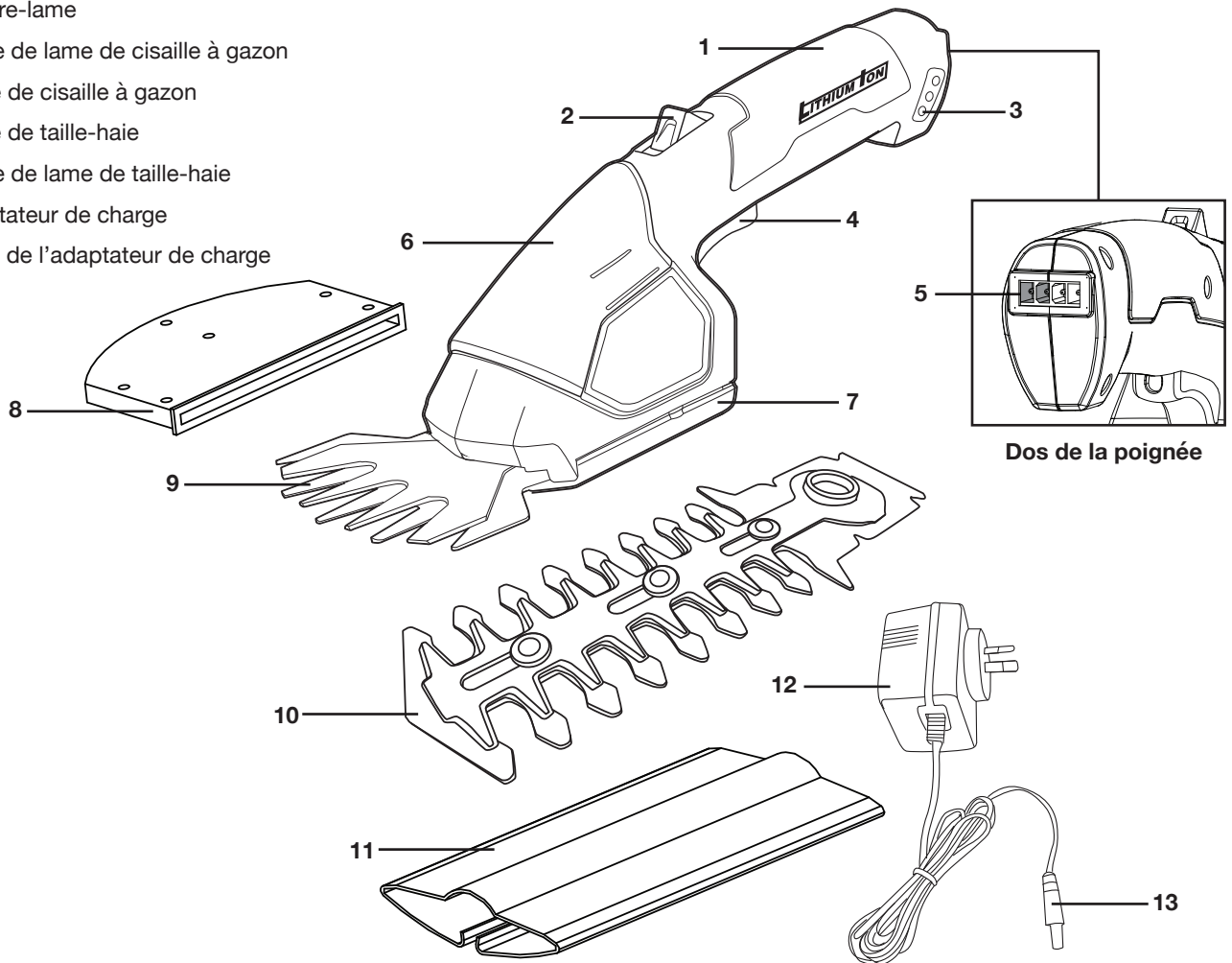
Symboles de sécurité

Le tableau suivant décrit et explique les symboles de sécurité pouvant être marqués sur cet outil. Avant d'essayer de procéder à son assemblage et de l'utiliser, lisez, comprenez et suivez toutes les instructions sur cet outil.

Symboles	Descriptions	Symboles	Descriptions
	LIRE LE OU LES MANUELS D'UTILISATION – Lire, comprendre et suivre toutes les consignes de sécurité du ou des manuels avant d'essayer d'assembler et d'utiliser l'outil.		ALERTE DE SÉCURITÉ – Indique une précaution, un avertissement ou un danger.
	AVERTISSEMENT! Ne pas utiliser l'outil sous la pluie ou par forte humidité. Garder l'outil au sec.		L'adaptateur de charge de bloc-pile est équipé d'un transformateur de sécurité.
	Porter des gants de protection et des chaussures antidérapantes pour utiliser la machine et manipuler les débris.		Pour protéger les pieds, porter des chaussures montantes et antidérapantes pendant l'utilisation de l'outil.
	Utiliser uniquement l'adaptateur de charge de bloc-batterie à l'intérieur.		Portez des lunettes de protection.
	DANGER! Tenez-vous à une distance suffisante des lignes électriques.		Porter une protection de la tête.
	La projection d'objets et la lame en mouvement peuvent provoquer de graves blessures.		Maintenir les spectateurs à bonne distance de la zone de travail.
	DANGER! Tenir les mains éloignées de la lame.		AVERTISSEMENT! Le dispositif de coupe continue à se mouvoir après avoir coupé le moteur.

Apprenez à mieux connaître votre cisaille à gazon/ sculpte-haie sans cordon

1. Poignée de la cisaille à gazon/sculpte-haie
2. Bouton-poussoir de sécurité
3. Témoin de niveau de charge
4. Gâchette marche-arrêt
5. Prise pour l'adaptateur de charge
6. Caisson moteur
7. Couvre-lame
8. Coiffe de lame de cisaille à gazon
9. Lame de cisaille à gazon
10. Lame de taille-haie
11. Coiffe de lame de taille-haie
12. Adaptateur de charge
13. Fiche de l'adaptateur de charge



Données techniques

Tension de la batterie*	7,2 V	Temps de charge max. de la batterie	5 heures
Capacité de la batterie	1,5 Ah	Lame de cisaille à gazon	10,2 cm
Type de batterie.....	Lithium-ion	Lame de taille-haie	15,2 cm
Adaptateur de charge.....	Fourni	Diamètre de taille-haie.....	0,8 cm
Entrée de l'adaptateur de charge.....	100 – 125 V ~ 50/60 Hz	Régime à vide.....	1 250 tr/min ±10 %
Sortie de l'adaptateur de charge.....	9 V — 0,4 A	Poids net	1,14 kg

* Tension initiale à vide; grimpe à 8,4 volts une fois complètement chargée; la tension nominale sous charge typique est de 7,2 volts.

Déballage

Contenu de la caisse

- Cisaille à gazon/sculpte-haie sans cordon
- Lame de taille-haie
- Coiffe de lame de taille-haie
- Lame de cisaille à gazon
- Coiffe de lame de cisaille à gazon
- Adaptateur de charge
- Manuel et carte d'enregistrement

1. Retirez soigneusement la cisaille à gazon/sculpte-haie sans cordon de la caisse et inspectez-la pour vérifier que tous les éléments énumérés ci-dessus sont fournis.
2. Inspectez soigneusement le contenu pour vous assurer qu'aucun élément n'a été brisé ou endommagé pendant le transport. Si vous constatez que des pièces manquent ou sont endommagées, NE PAS retourner l'outil au magasin. Veuillez appeler le service clientèle Snow Joe® + Sun Joe® au 1-866-SNOWJOE (1-866-766-9563).

REMARQUE : ne jetez pas la caisse d'expédition et l'emballage tant que vous n'êtes pas prêt à utiliser votre nouvelle cisaille à gazon/sculpte-haie sans cordon. L'emballage est fabriqué dans des matériaux recyclables. Éliminez ces matériaux de façon appropriée et conformément aux réglementations locales.

IMPORTANT! Le matériel et l'emballage ne sont pas des jouets. Ne laissez pas les enfants jouer avec les sacs en plastique, les feuilles métalliques ou les petites pièces. Ces éléments peuvent être avalés et présentent un danger de suffocation!

Assemblage

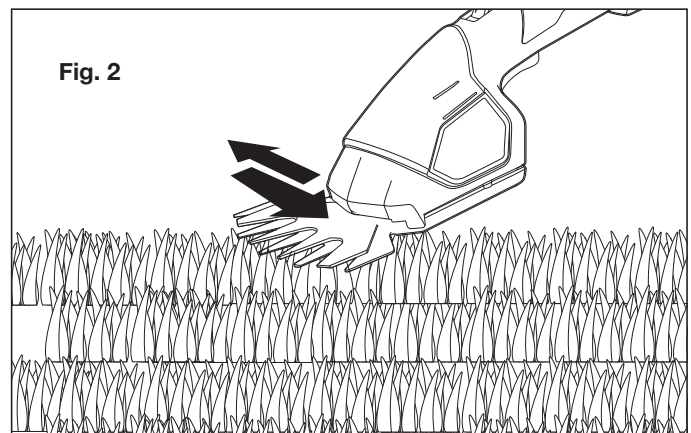
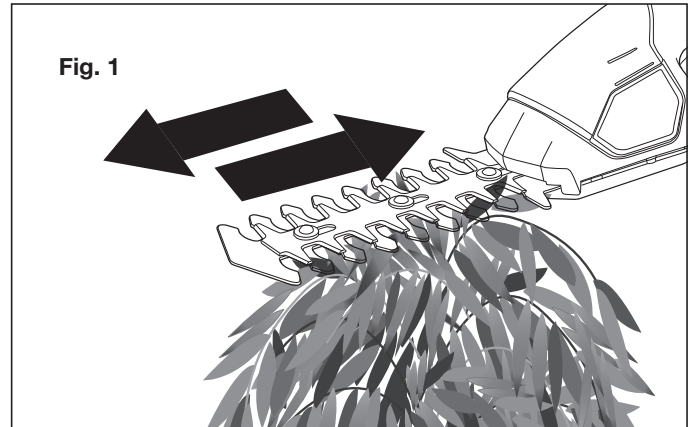
La cisaille à gazon/sculpte-haie est fournie complètement assemblée, la lame de la cisaille à gazon étant déjà montée.

⚠ MISE EN GARDE! Porter des gants de protection avant de manipuler les lames.

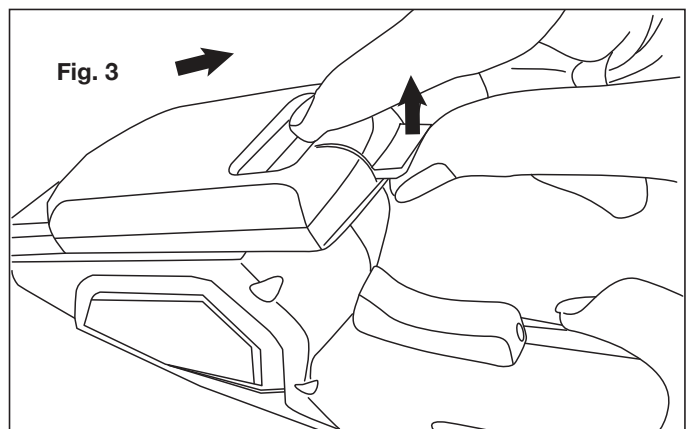
⚠ AVERTISSEMENT! Avant de manipuler les lames, s'assurer que l'outil n'est pas sous tension.

Insertion et changement de lame

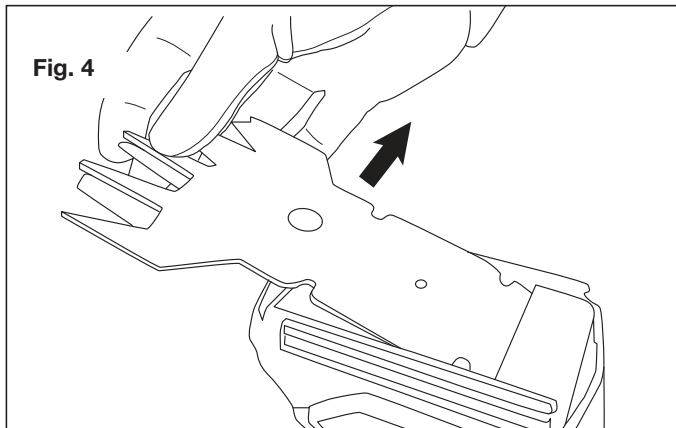
La cisaille à gazon/sculpte-haie est équipée de deux lames interchangeables conçues pour de petits travaux de taille ou de coupe à exécuter soi-même dans un jardin. La lame de taille-haie est utilisée pour tailler les haies et les buissons (Fig. 1) tandis que la lame de cisaille à gazon est utilisée pour couper avec précision l'herbe et les haies (Fig. 2).



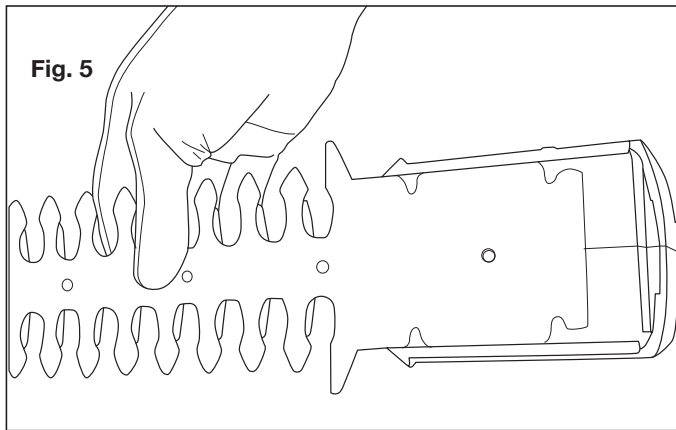
1. Pour insérer ou une lame ou en changer, placez la cisaille à gazon/sculpte-haie sur une surface dure. Retournez complètement l'outil d'une main et utilisez l'autre main pour lever doucement la languette du couvre-lame. Faites glisser la languette vers l'arrière jusqu'à ce que le couvre-lame puisse être retiré (Fig. 3).



- Retirez doucement la lame en levant son extrémité pour la dégager du caisson de la cisaille à gazon/sculpte-haie (Fig. 4).

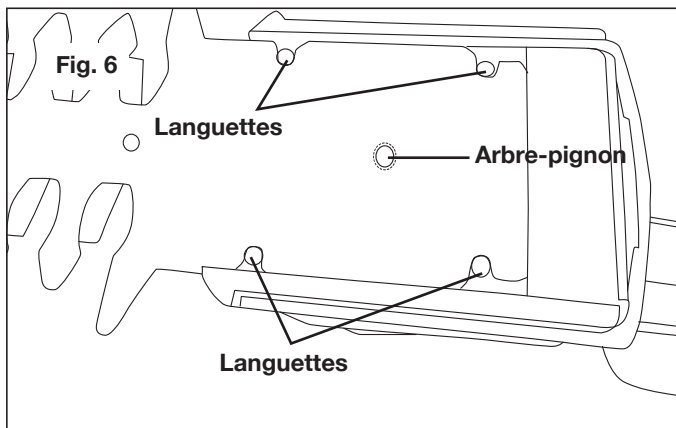


- Insérez la lame voulue dans la base du caisson moteur (Fig. 5).

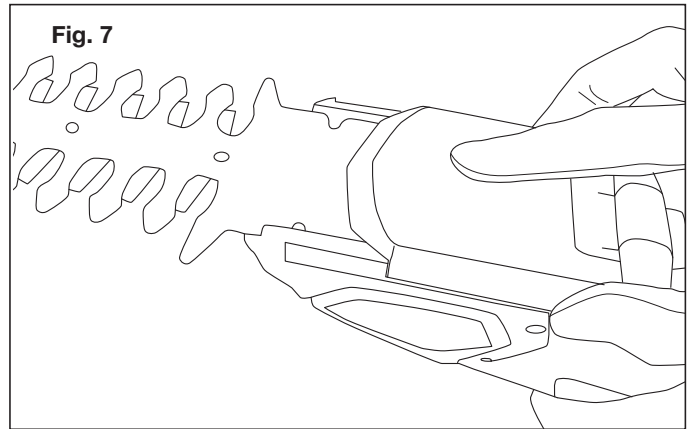


REMARQUE : il se peut que vous deviez déplacer manuellement la lame ou l'arbre-pignon de façon à aligner l'arbre-pignon avec l'engrenage au centre de l'outil.

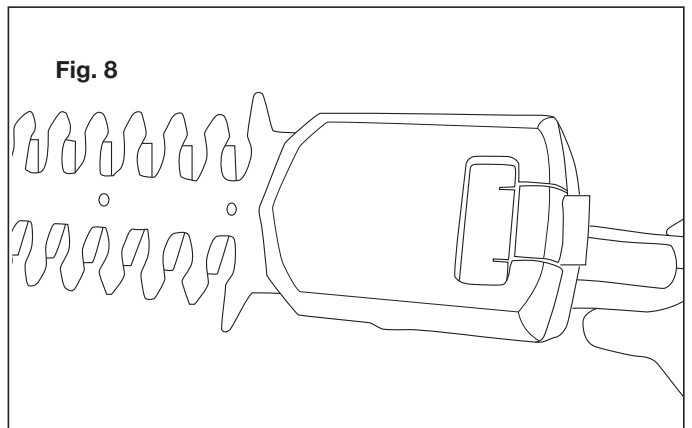
- Alignez l'arbre-pignon au milieu de la lame avec l'engrenage dans la partie centrale de l'outil. Alignez les quatre (4) languettes de telle sorte que la lame repose à plat contre le caisson et soit bien attachée (Fig. 6).



- Une fois que la lame est en place, remontez le couvre-lame en l'alignant avec les encoches pratiquées dans la base du caisson moteur (Fig. 7).



- Poussez le couvre-lame vers l'avant jusqu'à ce qu'il glisse et se mette en place en s'encliquetant (Fig. 8). La cisaille à gazon/sculpte-haie est maintenant prête à utiliser.



REMARQUE : si vous avez la moindre question, n'hésitez pas à appeler le service clientèle Snow Joe® + Sun Joe® au 1-866-SNOWJOE (1-866-766-9563) pour de l'aide.

Avant utilisation

Procédure de charge

L'adaptateur de bloc-pile fourni est conçu pour le bloc-pile au lithium-ion inséré dans l'outil. N'utilisez pas d'autres chargeurs de bloc-pile.

Le bloc-pile au lithium-ion est protégé contre les décharges poussées. Quand le bloc-pile est épuisé, un circuit de protection arrête automatiquement l'outil. La lame ne se déplacera plus et un petit sifflement se fera entendre.

Chargez le bloc-pile pendant 3 à 5 heures et utilisez ensuite l'outil jusqu'à ce que le bloc-pile s'épuise (c.-à-d., quand l'outil commence à perdre de sa puissance). Avant de pouvoir utiliser à nouveau l'outil, rechargez-le pendant 3 à 5 heures.

⚠ AVERTISSEMENT! L'utilisation continue ou excessive de la gâchette marche-arrêt peut irrémédiablement endommager le bloc-pile au lithium-ion.

⚠ MISE EN GARDE! Cet adaptateur de charge ne s'éteint pas automatiquement quand le bloc-pile est à charge complète. Veillez à ne pas laisser l'adaptateur de charge branché dans la cisaille à gazon/sculpte-haie. Éteignez l'adaptateur de charge ou débranchez-le du secteur une fois que le bloc-pile est à charge complète.

REMARQUE : le témoin de niveau de charge est rouge quand l'adaptateur de charge est branché et quand il charge la cisaille à gazon/sculpte-haie. Le témoin central vert s'allumera une fois que la cisaille à gazon/sculpte-haie est à charge complète.

Le processus de charge démarre dès que l'adaptateur de charge est branché à la fois dans une prise électrique et dans l'outil.

- Pendant la procédure de charge, le manche de l'outil sera légèrement chaud au toucher. Ceci est normal.
- Si aucune autre utilisation n'est prévue pendant une période prolongée, débranchez l'adaptateur de charge de bloc-pile de la prise et de l'outil.
- N'utilisez pas l'outil pendant la procédure de charge.

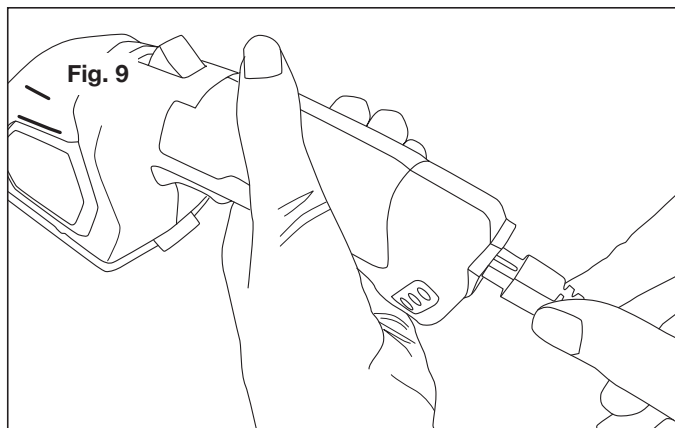
Charge de bloc-pile

La durée d'utilisation entre chaque charge varie selon le type de travaux que vous effectuez. Le bloc-pile dans cette cisaille à gazon/sculpte-haie a été conçu pour vous assurer une utilisation sans problème. Toutefois, comme tous les blocs-piles, le vôtre finira par s'user. Pour que la durée de vie du bloc-pile soit la plus longue possible, nous vous recommandons ce qui suit :

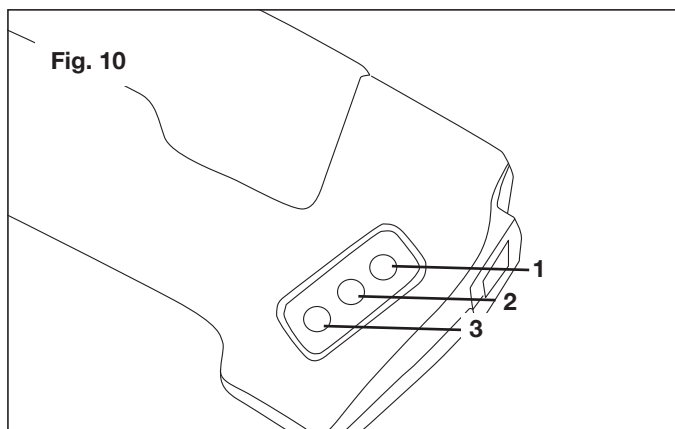
- Rangez et chargez votre cisaille à gazon/sculpte-haie dans un endroit frais. La longévité du bloc-pile raccourcira si la température ambiante est supérieure ou inférieure à la normale.
- Ne remisez jamais la cisaille à gazon/sculpte-haie quand son bloc-pile est déchargé. Rechargez immédiatement l'outil une fois qu'il est déchargé.
- Tous les blocs-piles perdent progressivement leur charge. Plus la température est élevée, plus ils se déchargent rapidement. Si vous remisez votre cisaille à gazon/sculpte-haie pendant une longue période et sans l'utiliser, rechargez le bloc-pile tous les 6 mois. La durée de vie du bloc-pile sera prolongée.

REMARQUE : la cisaille à gazon/sculpte-haie a été expédiée avec un bloc-pile faiblement chargé et doit être complètement chargé avant utilisation.

1. Branchez l'adaptateur de charge dans une prise de secteur appropriée. Pour commencer à charger, branchez la fiche de l'adaptateur de charge CA dans la prise de la cisaille à gazon/sculpte-haie (Fig. 9).



2. Le témoin rouge n° 1 s'allume quand le bloc-pile se charge. Les témoins n° 2 et 3 ne s'allument pas quand le bloc-pile se charge (Fig. 10).



3. Il faut environ 3 heures pour recharger le bloc-pile. En fonction du niveau de charge du bloc-pile et de la température ambiante, il faut parfois jusqu'à 5 heures pour recharger le bloc-pile.

REMARQUE : le témoin de niveau de charge reste toujours allumé quand l'adaptateur de charge est branché dans l'outil et sur le secteur. Le témoin de charge indique le statut de charge de la cisaille à gazon/sculpte-haie, comme cela est illustré ci-dessous :

Statut	Couleur des témoins	Témoins allumés
Charge en cours	Rouge	1- Rouge, 2- Éteint, 3- Éteint
À charge complète	Vert	1- Éteint, 2- Vert, 3- Éteint
Charge faible	Jaune	1- Éteint, 2- Éteint, 3- Jaune

Utilisation

IMPORTANT! Cet outil est destiné aux travaux légers de taille de buissons et de bordures de pelouses privées.

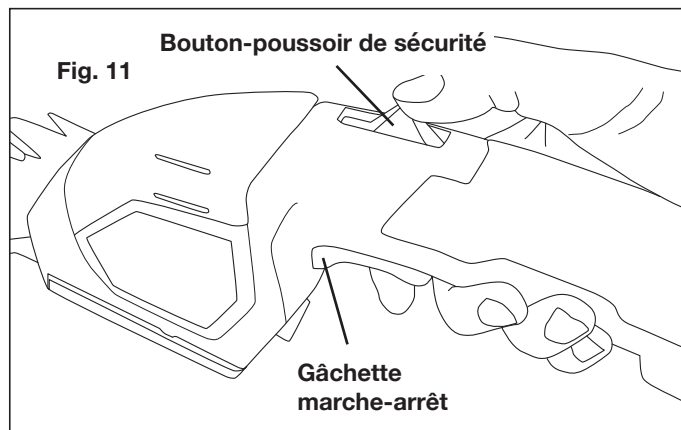
REMARQUE : chargez le bloc-pile pendant 3 à 5 heures et utilisez ensuite l'outil jusqu'à ce que le bloc-pile s'épuise (c.-à-d., quand l'outil commence à perdre de sa puissance et quand le témoin indicateur jaune de charge s'allume). Avant de pouvoir utiliser à nouveau l'outil, rechargez-le pendant 3 à 5 heures.

⚠AVERTISSEMENT! Les lames continuent à se déplacer pendant quelques secondes après coupé le moteur de l'outil. Avant de le régler ou de le nettoyer, couper le moteur de l'outil et patienter jusqu'à ce que les lames soient complètement immobiles.

⚠MISE EN GARDE! Ne jamais toucher la lame ou le guide-lame quand on utilise l'outil et ne jamais oublier que les tranchants sont affûtés, même quand la cisaille à gazon/sculpte-haie n'est pas utilisée.

Démarrage et arrêt

1. Pour mettre en marche l'outil, appuyez sur le bouton-poussoir de sécurité en le maintenant enfoncé à l'aide du pouce tout en pressant la gâchette marche-arrêt à l'aide de l'index. Une fois que vous pressez la gâchette, vous pouvez relâcher le bouton-poussoir de sécurité et commencer à utiliser l'outil (Fig. 11).



REMARQUE : le bouton-poussoir de sécurité réduit le risque de démarrage accidentel.

2. Pour couper le moteur de l'outil, relâchez simplement la gâchette marche-arrêt (Fig. 11).

⚠MISE EN GARDE! Ne pas forcer les lames en essayant de tailler de la végétation dense. Si les lames ralentissent, réduire la cadence de taille. Si les lames se coincent, relâcher immédiatement la gâchette. Ne pas utiliser les doigts pour débloquer les lames. Une lame coincée peut se débloquer soudainement en causant de graves blessures.

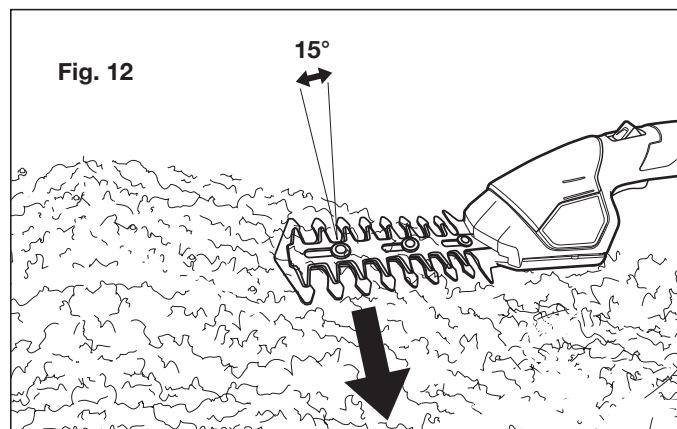
⚠MISE EN GARDE! Avant de mettre en marche la cisaille à gazon/sculpte-haie dans une zone de travail propre et dégagée de tout débris, toujours s'assurer de rester sur les deux pieds et de ne pas perdre l'équilibre.

REMARQUE : le témoin de niveau de charge jaune s'allume quand le bloc-pile est presque épuisé et nécessite d'être rechargé.

Conseils pour la taille

⚠AVERTISSEMENT! Utiliser uniquement la lame de taille-haie pour cette opération. Pour tailler les haies, ne jamais utiliser le manche télescopique avec le sculpte-haie.

REMARQUE : essayez de maintenir un angle d'environ 15° entre le dispositif de coupe et la surface de la végétation à couper (Fig. 12).



1. **Sculptage** – La haie doit être taillée pour qu'elle prenne une forme trapézoïdale : elle doit s'élargir vers le bas, des deux côtés. Sculpter une haie de cette manière améliore la pénétration de la lumière dans les parties les plus basses de la haie. La règle générale veut ce que la haie présente une inclinaison d'environ 10 cm pour 1 m de hauteur.
2. **Séquence de taille** – Taillez d'abord des deux côtés; commencez par le bas en progressant vers le haut. Ceci empêche ce qui est taillé de tomber dans la zone qui vous reste à tailler.
3. **Taille de la partie supérieure** – Dans les endroits où les branches sont devenues extrêmement longues, taillez la haie en repassant plusieurs fois. Les branches coupées les plus petites conviennent le mieux pour le compostage.
4. **Élagage de grosses branches** – Quand de vieilles haies doivent être dégrossies et taillées, utilisez un sécateur ou un autre outil pour élaguer les grosses branches (celles ayant un diamètre supérieur à 8 mm) à la longueur voulue avant de commencer à travailler avec le sculpte-haie.

Pour effectuer une taille précise, faites courir un fil tendu entre les bords extrêmes de la haie et taillez le long du fil.

Assurez-vous que la lame ne vienne pas en contact avec quoi que ce soit de dur qui pourrait l'endommager, par exemple du fil de fer de clôture ou le support en métal d'une plante.

Entretien

⚠AVERTISSEMENT! Avant d'effectuer une inspection, de l'entretien ou un nettoyage de l'outil, toujours couper le moteur de l'outil et le laisser refroidir.

1. Maintenez propres et en permanence les orifices de ventilation de l'outil. Au besoin, évitez que des corps étrangers pénètrent dans les orifices de ventilation.
2. Si le caisson du sculpte-haie doit être nettoyé, n'utilisez pas de solvants. Utilisez uniquement un chiffon doux humide. Ne laissez jamais un liquide pénétrer dans l'outil et ne plongez jamais une partie quelconque de l'outil dans un liquide.
3. Après chaque utilisation, le guide-lame doit être nettoyé et traité à l'aide d'une huile mouvement légère ou d'un lubrifiant en aérosol (par exemple du WD40, CRC 5.56 ou du RP7). Quand une tâche dure longtemps, il est recommandé que le guide-lame soit également traité à l'aide d'un lubrifiant en aérosol, à intervalles réguliers pendant l'utilisation de l'outil.
4. Inspectez l'outil avant chaque utilisation pour vérifier si des pièces sont usées ou endommagées. Si vous constatez que des pièces sont cassées ou usées, n'utilisez pas l'outil.

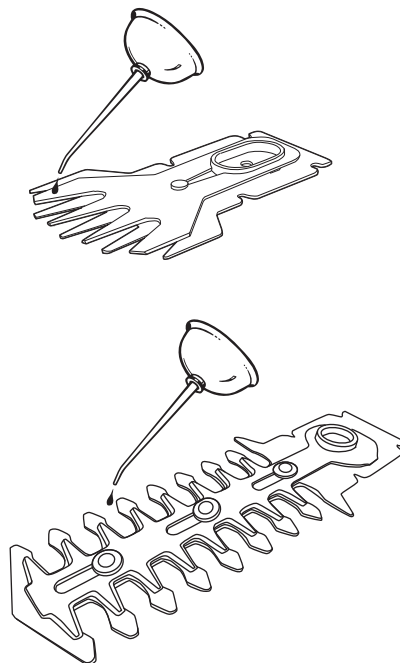
Entretien des lames

Pour assurer des années d'utilisation efficace et sans problème, le nettoyage des lames doit être effectué si de la sève et des débris se sont accumulés ou si vous vivez dans un endroit où le sol est sableux. Le nettoyage de dépôts anormalement épais peut nécessiter la dépose de la lame.

REMARQUE : Snow Joe® + Sun Joe® ne sauraient être tenues responsables des dommages matériels ou corporels causés par la réparation de la cisaille à gazon/sculpte-haie par une personne non autorisée ou par le mauvais maniement de l'outil.

1. Maintenez les lames de coupe propres et exemptes de tout débris. Retirez les tailles.
2. Appliquez sur les lames une petite quantité d'un lubrifiant adéquat pour continuer à obtenir un bon rendement de coupe (Fig. 13).

Fig. 13



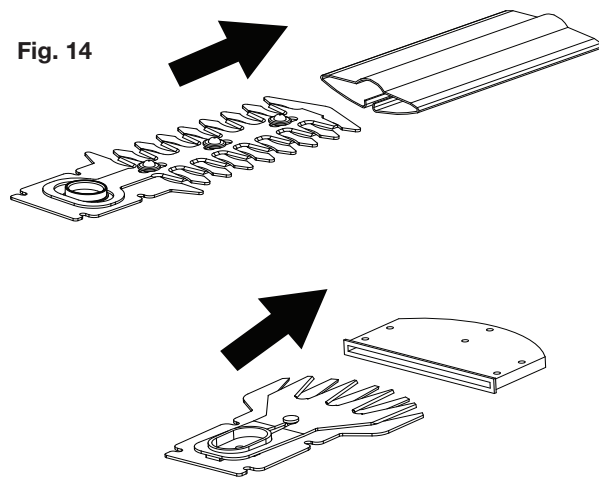
3. Maintenez les lames affûtées. Faites remplacer par un spécialiste qualifié tout dispositif de coupe usé ou endommagé par un dispositif neuf de même type. Les pièces détachées peuvent être commandées en ligne sur le site sunjoe.com ou par téléphone en appelant le service clientèle Snow Joe® + Sun Joe® au 1-866-SNOWJOE (1-866-766-9563).

Remisage

Quand l'outil ne doit pas être utilisé pendant plusieurs mois, l'idéal est de laisser le bloc-pile branché sur l'adaptateur de charge. Pour un remisage optimal, procédez comme suit :

- Chargez complètement le bloc-pile.
- Nettoyez l'outil comme décrit ci-dessus.
- Montez le couvre-lame sur chacune des lames (Fig. 14).

Fig. 14



- Remisez l'outil dans un endroit sec et ne présentant aucun danger. La température de remisage doit toujours rester dans une plage de 5 °C à 40 °C.
- Avant d'utiliser l'outil après un remisage prolongé, rechargez complètement le bloc-pile.

Mise en garde concernant les blocs-batteries et informations sur leur élimination

Éliminez toujours les blocs-batteries en vous conformant aux réglementations fédérales, de la province et locales. Communiquez avec un organisme de recyclage de votre région pour obtenir la liste des sites de recyclage.

⚠ MISE EN GARDE! Même déchargé, un bloc-batterie contient une certaine énergie. Avant de l'éliminer, utiliser du ruban isolant pour couvrir les bornes et empêcher ainsi le bloc-batterie de provoquer un court-circuit, ce qui pourrait causer un incendie ou une explosion.

⚠ AVERTISSEMENT! Pour réduire le risque de blessure ou d'explosion, ne jamais brûler ou incinérer un bloc-batterie même s'il est endommagé, mort ou complètement déchargé. En brûlant, des vapeurs et des matières toxiques sont émises dans l'atmosphère environnante.

1. Les blocs-batteries varient selon le type d'appareil. Consultez votre manuel pour des renseignements spécifiques.
2. Insérez uniquement des blocs-batteries neufs de même type dans votre outil (le cas échéant).
3. Si, en les insérant, la polarité des blocs-batteries n'est pas respectée, comme indiqué dans le compartiment à batterie ou dans le manuel, leur durée de vie pourrait être réduite ou ils pourraient fuir.
4. Ne mélangez pas d'anciens blocs-batteries et des neufs.
5. Ne mélangez pas des blocs-batteries alcalins, standard (carbone/zinc) ou rechargeables (au nickel-cadmium, au nickel-métal-hydrure ou au lithium-ion).
6. Ne jetez pas de blocs-batteries dans un feu.
7. Les blocs-batteries doivent être recyclés ou éliminés en observant les directives provinciales ou locales.

Entretien, réparations et assistance technique

Si votre cisaille à gazon/sculpte-haie sans cordon Sun Joe® nécessite une réparation ou un entretien, veuillez appeler le service clientèle Snow Joe® + Sun Joe® au 1-866-SNOWJOE (1-866-766-9563).

Numéros de modèle et de série

Lorsque vous communiquez avec l'entreprise pour commander des pièces, vous devez fournir les numéros de modèle et de série de votre produit. Ceux-ci se trouvent sur l'étiquette autocollante apposée sur le caisson ou la poignée de votre cisaille à gazon/sculpte-haie sans cordon. Copiez ces numéros dans l'espace réservé ci-dessous.

<p>Veillez noter les numéros suivants sur le caisson ou la poignée de votre nouvel outil :</p>	
N° de modèle :	
N° de série :	

HJ604C-CHRG

FCC (Commission fédérale des communications)

⚠️ AVERTISSEMENT! Tout changement ou toute modification apportés à cet appareil et non approuvés par la partie à qui incombe la responsabilité de sa conformité pourrait annuler l'autorisation de l'utiliser.

Appareil de Classe B :

REMARQUE : ce matériel a été testé et il a été constaté qu'il est conforme aux limites des appareils numériques de Classe B, conformément à la Partie 15 des Règles de la FCC.

Ces limites sont conçues pour fournir une protection raisonnable contre le brouillage préjudiciable dans une installation résidentielle.

Ce matériel génère, utilise et peut rayonner une énergie de fréquence radio et, s'il n'est pas installé et utilisé conformément aux instructions, peut être à l'origine d'un brouillage préjudiciable aux communications radio.

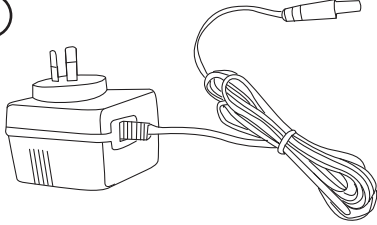
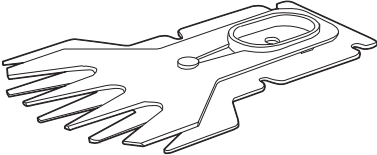
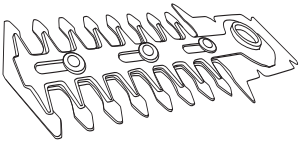
Toutefois, il n'est pas exclu que le brouillage affecte une installation particulière.

Si cet appareil est à l'origine de brouillage préjudiciable à la réception radio et télévision, ce qui peut être déterminé en éteignant et en allumant l'appareil, l'utilisateur est invité à supprimer le brouillage en prenant une ou plusieurs des mesures suivantes :

- Réorienter ou repositionner l'antenne de réception.
- Augmenter la distance entre l'appareil et le récepteur.
- Brancher l'appareil dans la sortie d'un circuit différent de celui dans lequel le récepteur est branché.
- Pour de l'aide, consulter le revendeur ou un technicien radio/télévision qualifié.

Accessoires en option

⚠️ AVERTISSEMENT! TOUJOURS utiliser des pièces de rechange et des accessoires Snow Joe® + Sun Joe® homologués. NE JAMAIS utiliser des pièces ou des accessoires qui ne sont pas destinés à être utilisés avec cette cisaille à gazon/sculpte-haie sans cordon. Communiquez avec Snow Joe® + Sun Joe® si vous n'êtes pas sûr que l'utilisation d'une pièce de rechange ou d'un accessoire particulier avec votre cisaille à gazon/sculpte-haie sans cordon soit sans danger. L'utilisation de tout autre accessoire ou de toute autre pièce détachée peut être dangereuse et pourrait provoquer des dommages corporels ou mécaniques.

Accessoires	Description	Modèle
<p>①</p> 	Adaptateur de charge CA	HJ604C-CHRG
<p>②</p> 	Lame de cisaille à gazon	HJ604C-1.10
<p>③</p> 	Lame de taille-haie	HJ604C-1.11

REMARQUE : les accessoires sont sous réserve de changements sans que Snow Joe® + Sun Joe® soit pour autant tenue de donner un préavis desdits changements. Les accessoires peuvent être commandés en ligne sur le site sunjoe.com ou par téléphone en appelant le service clientèle Snow Joe® + Sun Joe® au 1-866-SNOWJOE (1-866-766-9563).



LA PROMESSE DE SNOW JOE® + SUN JOE® À SES CLIENTS

Vous êtes notre client et Snow Joe, LLC (« Snow Joe ») **SE MET EN QUATRE** pour vous servir. Nous nous efforçons de vous rendre l'utilisation de nos produits aussi plaisante que possible. Malheureusement, il peut arriver qu'un produit Snow Joe®, Sun Joe® ou Aqua Joe (« Produit ») ne fonctionne pas ou se casse dans des conditions d'utilisation normales. Nous pensons qu'il est important que vous sachiez ce que vous pouvez attendre de nous. C'est pourquoi nous avons une garantie limitée (« Garantie ») pour nos Produits.

NOTRE GARANTIE :

Snow Joe déclare et garantit que les Produits neufs, d'origine, électriques ou non électriques sont exempts de vices de matière ou de fabrication et, lorsqu'ils font l'objet d'une utilisation résidentielle et ménagère ordinaire, les garantit pendant une période de deux ans à compter de la date d'achat au détail par l'acheteur primitif auprès de Snow Joe ou d'un des revendeurs agréés de Snow Joe, preuve d'achat à l'appui. Étant donné que Snow Joe ne peut pas contrôler la qualité de ses Produits vendus par des revendeurs non agréés, sauf stipulation contraire de la loi, la présente Garantie ne couvre pas les Produits achetés auprès de vendeurs non agréés. Si votre Produit ne fonctionne pas ou si une pièce spécifique couverte par les modalités de la présente Garantie fait l'objet d'un problème quelconque, Snow Joe choisira (1) de vous envoyer une pièce de rechange gratuite, (2) de remplacer le Produit par un produit neuf ou comparable, gratuitement, ou (3) de réparer le Produit. Génial, n'est-ce pas?

La présente Garantie vous donne des droits judiciaires spécifiques, et vous pouvez également avoir d'autres droits qui peuvent varier d'une province ou d'un territoire à l'autre.

ENREGISTREMENT DU PRODUIT :

Snow Joe vous recommande vivement d'enregistrer votre Produit. Vous pouvez l'enregistrer en ligne sur le site snowjoe.com/register, ou en imprimant et en envoyant par courrier une carte d'enregistrement offerte en ligne sur notre site Web, ou par téléphone en appelant notre Service à la clientèle au **1-866-SNOWJOE (1-866-766-9563)**, ou encore en nous envoyant un courriel à l'adresse help@snowjoe.com. Le fait de ne pas enregistrer l'achat de votre Produit n'a aucune conséquence sur vos droits concernant la garantie. Toutefois, l'enregistrement de votre Produit permettra à Snow Joe de mieux répondre au moindre besoin que vous pourriez avoir en matière de service à la clientèle.

QUI PEUT REVENDIQUER LA COUVERTURE DE LA GARANTIE?

La présente Garantie est étendue par Snow Joe à l'acheteur et propriétaire primitif du Produit.

QU'EST-CE QUI N'EST PAS COUVERT?

La présente Garantie ne s'applique pas si le Produit a été utilisé commercialement, pour des travaux non résidentiels ou s'il fait l'objet d'une location. La présente Garantie ne s'applique pas non plus si le Produit a été acheté auprès d'un revendeur non agréé. La présente garantie ne couvre pas non plus les changements cosmétiques qui n'affectent pas le rendement. Les pièces d'usure comme les courroies, les tarières, les chaînes et les dents ne sont pas couvertes au titre de la présente Garantie et peuvent être achetées en ligne sur le site snowjoe.com ou en appelant le **1-866-SNOWJOE (1-866-766-9563)**.





sunjoe.com