

**IMPORTANT MANUAL**

**Do Not Throw Away**

**SEARS**

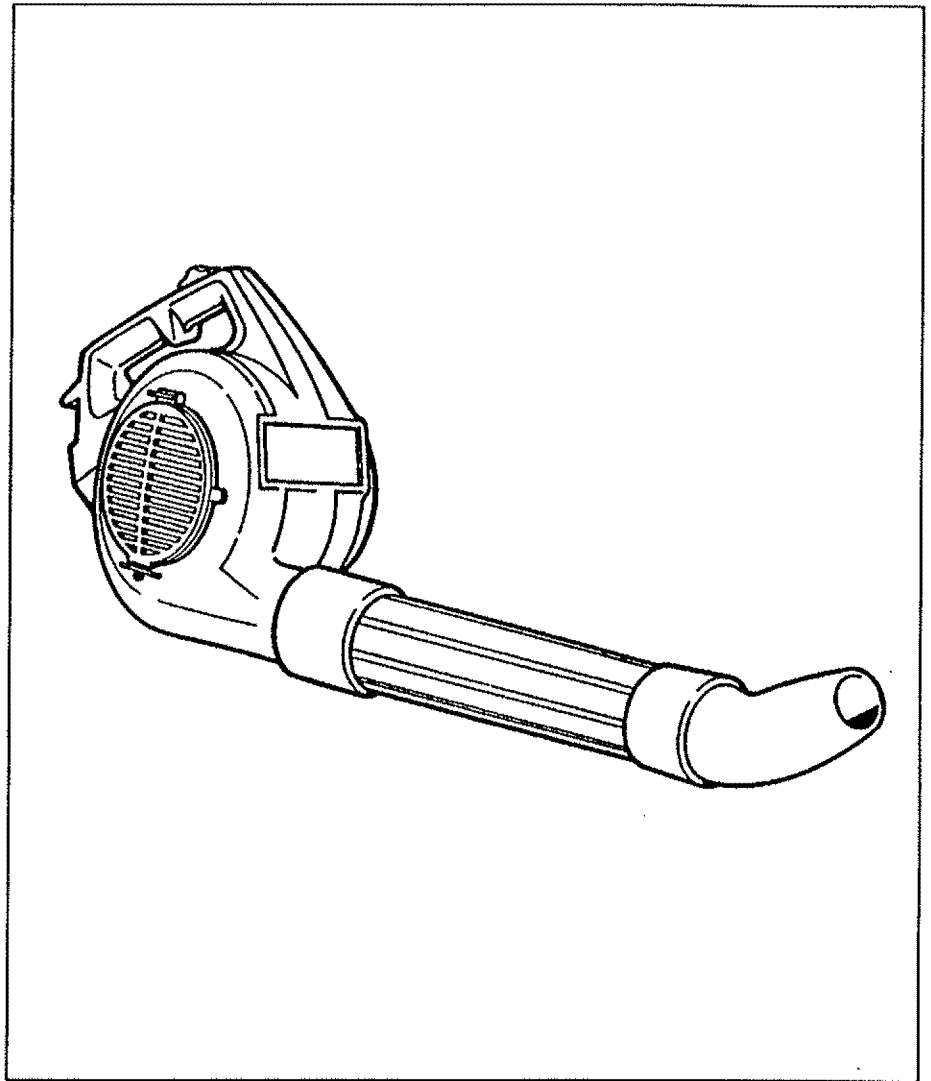
**Operator's  
Manual**

**Model No.  
257.796362**



**▲ WARNING:**

**Read the Operator's Manual and Follow All Warnings and Safety Instructions. Failure To Do So Can Result in Serious Injury.**



*Always Wear Eye Protection During Operation*

**SEARS/CRAFTSMAN®**

**ELECTRIC BLOWER**

**DOUBLE INSULATED**

- Assembly
- Maintenance
- Operation
- Repair Parts

Sold by Sears, Roebuck and Co., Chicago, Ill. 60684 USA

## ONE YEAR LIMITED WARRANTY ON CRAFTSMAN POWER BLOWER

If this ELECTRIC BLOWER fails to perform properly due to a defect in material or workmanship within one (1) year from date of purchase, Sears will repair it free of charge.

If this ELECTRIC BLOWER is used for commercial or rental purposes, this warranty does not apply. This warranty applies only while this product is in use in the United States.

WARRANTY SERVICE IS AVAILABLE BY RETURNING YOUR UNIT TO THE NEAREST SEARS SERVICE CENTER/DEPARTMENT IN THE UNITED STATES.

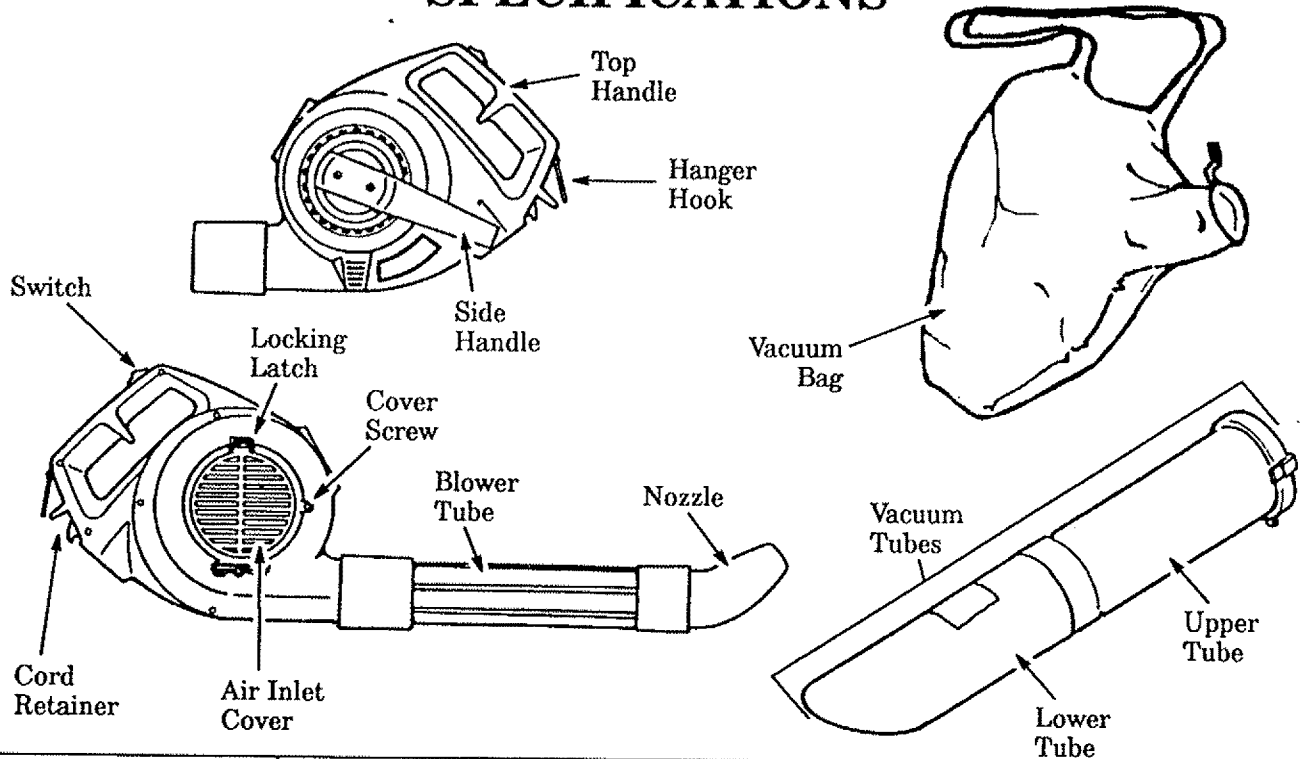
This warranty gives you specific legal rights, and you may also have other rights which vary from state to state.

SEARS, ROEBUCK AND CO./DEPT. D/731CR-W, SEARS TOWER CHICAGO, IL 60684

## TABLE OF CONTENTS

<p>WARNINGS AND SAFETY INSTRUCTIONS ... 3</p> <p>KNOW YOUR UNIT ..... 5</p> <p>ASSEMBLY ..... 6</p> <p>USING YOUR UNIT ..... 7</p> <p style="padding-left: 20px;">A. Operator Safety ..... 7</p> <p style="padding-left: 20px;">B. Operating Tips—Blower ..... 8</p> <p style="padding-left: 20px;">C. Operating Tips—Vacuum ..... 8</p> <p style="padding-left: 20px;">D. Pre-operation Checks ..... 8</p>	<p>GENERAL MAINTENANCE ..... 9</p> <p style="padding-left: 20px;">A. Maintain Your Unit With Care ..... 9</p> <p style="padding-left: 20px;">B. Storage ..... 9</p> <p>ACCESSORIES ..... 9</p> <p>QUICK REFERENCE PAGE ..... 11</p> <p>PARTS AND SERVICE ..... Back Cover</p>
---	---

## SPECIFICATIONS



<b>MODEL:</b>	<b>257.796362</b>
<b>MOTOR:</b>	1 HP (Permanent Magnet)
<b>AMPS:</b>	6.5
<b>VOLTAGE:</b>	120V - 60HZ
<b>AIR VOLUME:</b>	300 Cubic Feet Per Minute
<b>AIR VELOCITY:</b>	125 MPH
<b>VACUUM:</b>	Vacuum Components Included

Manufactured under one or more of the following U.S. Patents: 4,325,163 & 4,402,106; DES. 263,547. Other U.S. and foreign patents pending.

# **▲ WARNINGS AND SAFETY INSTRUCTIONS**

*Failure to follow all Safety Rules and Precautions can result in serious injury.*

**WARNING:** The warnings and safety instructions in this manual must be followed to reduce the risk of fire, electric shock, or injury, and to provide reasonable safety and efficiency in using this tool. The operator is responsible for following the warnings and instructions in this manual and on the unit. Read the entire Operator's Manual before assembling and using the unit! Restrict the use of this tool to persons who read, understand, and follow the warnings and instructions in this manual and on the unit.

## **A. OPERATOR SAFETY**

1. **Always wear eye protection** to prevent rocks or debris from being blown or ricocheting into eyes and face which can result in blindness or serious injury.
2. **Always wear a respirator or facemask** when working with the unit in dusty environments.
3. **Always wear heavy, long pants, boots, and gloves.** Do not go barefoot or wear short pants, sandals, jewelry, loose clothing, or clothing with loosely hanging straps, ties, tassels, etc.. Secure hair so it is above shoulder length. Being fully covered will help protect you from pieces of toxic plants such as poison ivy thrown by the blade, which could be more of a hazard than touching the plant itself. Use of rubber gloves is recommended.
4. **Keep hair, fingers, and all other parts of the body away from openings and moving parts.**
5. **Do not operate the unit** when you are tired, ill, upset, or if you are under the influence of alcohol, drugs, or medication.
6. **Keep children, bystanders, and animals away from the work area a minimum of 30 feet when operating the unit.**
7. **Inspect the area before using the unit.** Remove all debris and hard objects such as rocks, glass, wire, etc. that can ricochet, be thrown, or otherwise cause injury or damage during operation. As a vacuum, the unit is designed to pick up dry material such as leaves, grass, small twigs, and bits of paper. Do not vacuum stones, gravel, metal, broken glass, etc. to avoid severe damage to the impeller. *Do not attempt to vacuum water or other liquids to avoid the possibility of electrical shock.*

## **B. TOOL SAFETY**

1. **Stop the motor and disconnect the power source** before opening the vacuum inlet door or attempting to insert or remove the vacuum tubes. The motor must be stopped and the impeller blades no longer turning to avoid serious injury from the rotating blades.
2. **Inspect the entire unit before** each use for worn, loose, missing, or damaged parts. Do not use until the unit is in proper working order.
3. **Have all internal service** performed by Sears qualified service repair personnel to avoid creating a hazard or voiding your warranty.
4. **Have all maintenance** other than the recommended procedures described in the Operator's Manual performed by Sears qualified service repair personnel.
5. **Always see your Sears Service Center/Department to replace a damaged impeller.** Parts that are chipped, cracked, broken, or damaged in any other way can fly apart and cause serious injury. Replace damaged parts before using the unit.
6. **Never run the unit without the proper equipment attached.** When used as a blower, always install a blower tube. When used as a vacuum, always install vacuum tubes and collection bag assembly. Make sure collection bag assembly is completely zipped.

7. **Do not use** any accessory or attachment other than those recommended by Sears for use with your unit.

## **C. ELECTRICAL SAFETY**

1. **Use only a 120 A.C. voltage supply** as shown on the name plate of the tool.
2. **Avoid dangerous situations.** Do not use in the presence of flammable liquids (such as gasoline) or gases to avoid creating a fire or explosion and/or causing damage to the unit.
3. **Do not use in damp or wet locations or around swimming pools, hot tubs, etc.** Do not handle plug or unit with wet hands. Do not expose to snow, rain, or water to avoid the possibility of electrical shock.
4. **Use extension cords specifically marked as suitable for outdoor use.** Match wire gauge to the cord length. See the "Extension Cord" section.
5. **Inspect the insulation and connectors on the unit and extension cord before each use.** Do not use with damaged cord or plug. If unit is not working as it should, has been dropped, damaged, left outdoors, or dropped into water, do not use until damage is repaired by Sears qualified service personnel.
6. **Never carry the unit by the extension cord** or yank the extension cord to disconnect the unit.
7. **Use the cord retainer** as described in this manual to prevent extension cord disconnection.
8. **Do not use the unit if the switch does not turn the tool on and off properly.** Repairs to the switch must be made by Sears qualified service personnel.
9. **Keep extension cord clear of operator and obstacles** at all times. Do not close a door on cord. Do not expose cords to heat, oil, water, or sharp edges.
10. **Avoid any body contact with any grounded conductor,** such as metal pipes or wire fences, to avoid the possibility of electrical shock.

## **D. OPERATION SAFETY**

1. **Keep others including children, animals, bystanders, and helpers a minimum of 30 feet away.** Stop the motor immediately if you are approached.
2. **Inspect the area before using the unit.** Remove all debris and hard objects such as rocks, glass, wire, etc. that can ricochet, be thrown, or otherwise cause injury or damage during operation. As a vacuum, the unit is designed to pick up dry material such as leaves, grass, small twigs, and bits of paper. Do not vacuum stones, gravel, metal, broken glass, etc. to avoid severe damage to the impeller. *Do not attempt to vacuum water or other liquids to avoid the possibility of electrical shock.*
3. **Avoid accidental starting.** Be sure the switch is in the "off" position and keep your hand and fingers away from the switch while connecting the unit to an extension cord or when carrying a unit connected to a power source.
4. **Stop unit and disconnect from power source when not in use.**

5. **Do not set the unit on any surface** except a clean, hard area while the unit is running. Debris such as gravel, sand, dust, grass, etc. could be picked up by the air intake and thrown out through the discharge opening, damaging the unit, property, or causing serious injury to bystanders or the operator.
6. **Avoid dangerous environments.** Do not use in unventilated areas or where dust or explosive vapors can build up.
7. **Do not overreach or use from unstable surfaces** such as ladders, trees, steep slopes, rooftops, etc. Use extra care when cleaning on stairways. Keep firm footing and balance at all times.
8. **Never place objects inside the blower tubes;** always direct the blowing debris away from people, animals, glass, and solid objects such as trees, automobiles, walls, etc. The force of air can cause rocks, dirt, or sticks to be thrown or to ricochet which can hurt people or animals, break glass, or cause other damage. Do not allow the unit to be used as a toy.
9. **Never place any object in the air intake opening** as this could restrict proper air flow and cause damage to the unit.
10. **Never run the unit without the proper equipment attached.** When used as a blower, always install a blower tube to avoid injury from flying debris and/or impeller contact which can cause serious injury. When used as a vacuum, always install vacuum tubes and collection bag assembly. Make sure the collection bag assembly is completely zipped when the motor is running to avoid flying debris.
11. **Always use the collection bag shoulder strap** when vacuuming to avoid loss of control.
12. **Never use for spreading chemicals, fertilizers,** or any other substances which may contain toxic materials.
13. **Avoid situations which could set the collection bag on fire.** Do not vacuum discarded cigars or

cigarettes or ash from fireplaces, barbecue pits, brush piles, etc. To avoid spreading fire, do not use blower near leaf or brush fires, fireplaces, barbecue pits, ashtrays, etc.

14. **Use only for jobs explained in this manual.**

## E. MAINTENANCE SAFETY

1. **Maintain the tool according to recommended procedures.**
2. **This unit is Double Insulated.** See the "DOUBLE INSULATION" section. **Have all internal service performed by Sears qualified service repair personnel** to avoid creating a hazard and/or voiding your warranty.
3. **Disconnect power source before servicing,** cleaning, or performing maintenance on the unit.
4. **Use only genuine replacement parts** as recommended by Sears to avoid creating a hazard and/or voiding your warranty.
5. **Never douse the unit in water** or other liquids or squirt with a water hose. Clean with a damp sponge and mild soap. See "MAINTENANCE—STORAGE."
6. **Check air intake openings, blower tubes, elbow tube, and vacuum tubes frequently,** *always* with the unit stopped and the power source disconnected. Keep vents and tubes free of debris which can accumulate and restrict proper air flow.
7. **Store in a dry area out of the reach of children.**

*If situations occur which are not covered in this manual, use care and good judgement. Contact your Sears Service Center/Department if you need assistance.*

## SAVE THESE INSTRUCTIONS

---

## NOTES

# KNOW YOUR UNIT

## A. INTRODUCTION

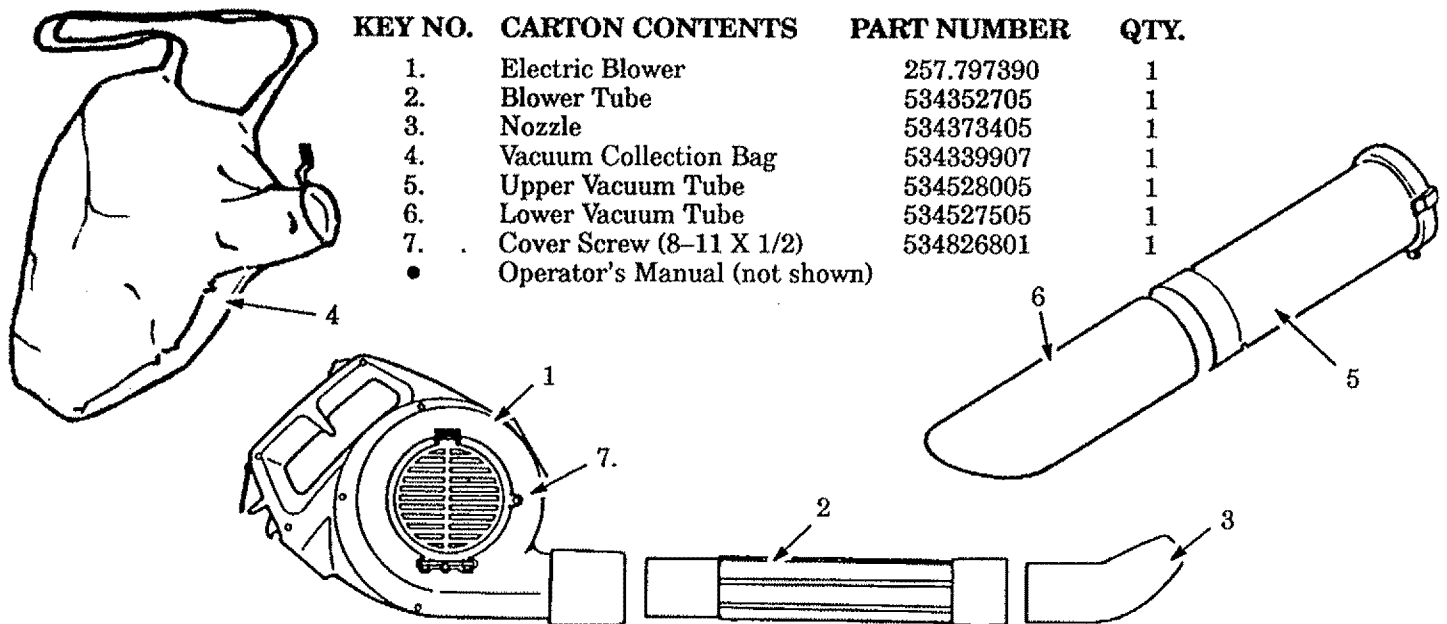
Your electric blower/vac is a high performance product designed for tough jobs.

### Special Features include:

- Top handle for one-handed operation.
- Direct Drive.
- Weight - 12 lbs.
- Convenient upright storage.

## B. UNPACKING INSTRUCTIONS

1. Remove contents from the carton if you have not done so.
2. Check parts against the Carton Contents List.
3. Examine parts for damage. Do not use damaged parts.
4. *Notify your Sears Service Center/Department immediately if a part is missing or damaged.*



KEY NO.	CARTON CONTENTS	PART NUMBER	QTY.
1.	Electric Blower	257.797390	1
2.	Blower Tube	534352705	1
3.	Nozzle	534373405	1
4.	Vacuum Collection Bag	534339907	1
5.	Upper Vacuum Tube	534528005	1
6.	Lower Vacuum Tube	534527505	1
7.	Cover Screw (8-11 X 1/2)	534826801	1
•	Operator's Manual (not shown)		

**WARNING:** Replacement of parts in double insulated systems of portable electric units should only be performed by qualified individuals with access to high voltage testing equipment. A severe shock hazard may occur if the replacement parts are not properly installed or tested.

## C. DOUBLE INSULATION CONSTRUCTION

This blower is **Double Insulated** to help protect against electric shock. Double insulation construction consists of two separate "layers" of electrical insulation.

Tools built with this insulation system are not intended to be grounded. As a result, the extension cord used with your unit can be plugged into any conventional 120 volt electrical outlet.

**Safety precautions must be observed when operating any electrical tool.** The double insulation system only provides added protection against injury resulting from an internal electrical insulation failure.

### ▲ WARNING

All electrical repairs to this unit, including housing, switch, motor, etc., must be diagnosed and repaired by Sears qualified service personnel. Replacement parts for a double insulated appliance must be identical to the parts they replace. A double insulated appliance is marked with the words "DOUBLE INSULATION" or "DOUBLE INSULATED." The symbol (square within a square)  may also be marked on the appliance. Failure to have the unit repaired by Sears qualified service personnel can cause the double insulation construction to become ineffective and result in serious injury.

# ASSEMBLY

## A. PREPARATION

Your Operator's Manual has been developed to help you assemble the unit and to understand its safe operation. It is important that you read your manual completely to become familiar with the unit *before* you begin assembly.

1. **READ YOUR OPERATOR'S MANUAL.**
2. **The only tool required is a Phillips screwdriver.**

## B. BLOWER TUBE ASSEMBLY

1. Insert blower tube into blower outlet. Turn blower tube clockwise until it is firmly seated. Figure 1.
2. With a slight twisting motion, slide the concentrator nozzle firmly into the end of the blower tube. Figure 1 (inset). The fully assembled unit should look like the one in Figure 7.

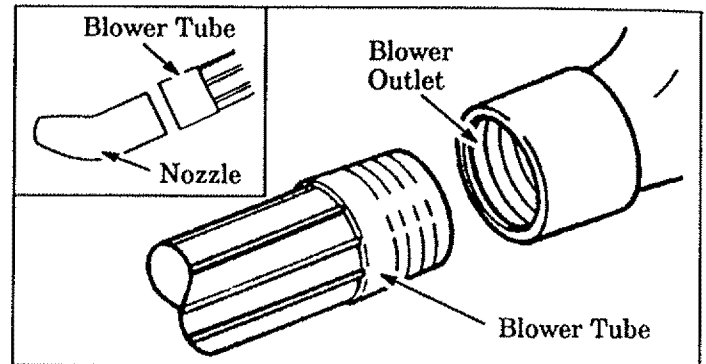


Figure 1

## C. VACUUM TUBE/BAG ASSEMBLY

### ▲ WARNING

Stop the unit and disconnect it from the power source before opening the vacuum inlet door or attempting to insert or remove the vacuum tubes. The motor must be stopped and the impeller blades no longer turning to avoid serious injury from the rotating blades.

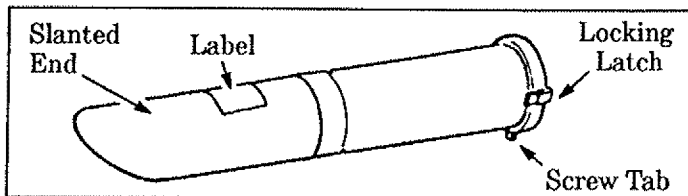


Figure 2

**NOTE:** The Lower Vacuum Tube is cut at an angle. Make sure the Label on the Lower Vacuum Tube is aligned on the opposite side of the Screw Tab on the Upper Vacuum Tube (shown in Figure 2).

1. Remove the blower tube and nozzle (if assembled to the unit) by turning the tube counterclockwise.
2. Slide vacuum tubes together. Figure 2.
3. Using a Phillips screwdriver, remove the screw from the inlet cover. Figure 3. Retain the screw.
4. Press the locking latch (Figure 3) and open the inlet cover.
5. Holding inlet cover open, slide upper tube into the air intake opening until the latch on the locking ring snaps into place. Figure 4.
6. Install the screw in the screw tab on the vacuum tube. Figure 4. Tighten securely.
7. Fit the opening of the bag over the blower outlet. Make sure the vac bag strap is located completely over the blower outlet collar and is in the neck area between the blower outlet collar and the blower housing. Figures 3 and 5. Pull the strap tightly through the "D" ring and secure with the velcro tabs. Figure 5.

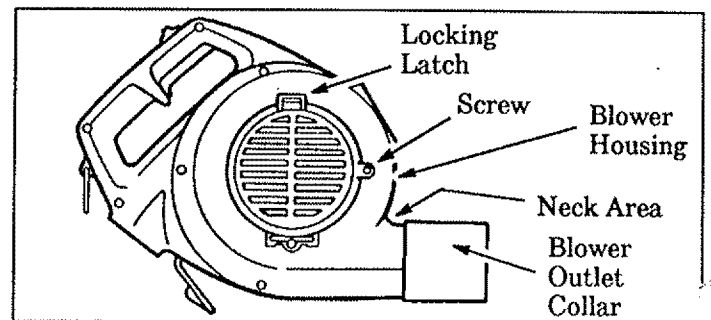


Figure 3

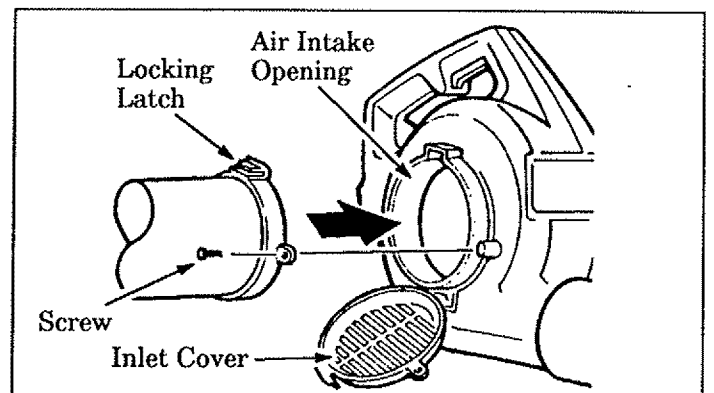


Figure 4

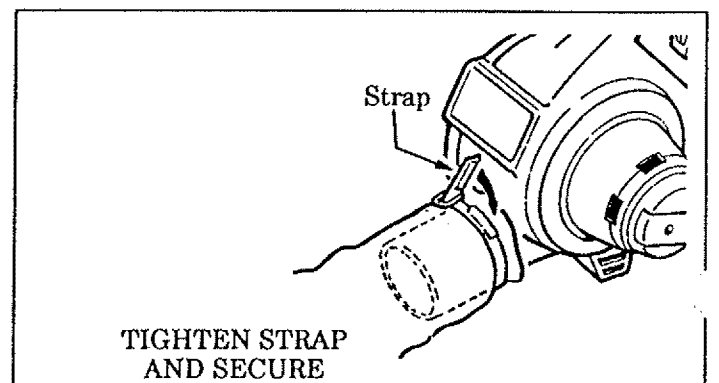


Figure 5

## D. SHOULDER STRAP ADJUSTMENT

1. With your left hand hold the unit in an upright position, supporting the Lower Vacuum Tube on the ground. Make sure the Blower Outlet and Collection Bag are positioned on your right-hand side. Figure 6.
2. Place the Collection Bag Strap over your left shoulder. Figure 6.
3. Adjust the Shoulder Strap to allow a free flow of air from the blower outlet. Figure 6. If the Bag is kinked, the unit will not operate properly.

## E. BLOWER CONVERSION

1. Stop unit.
2. Remove the Vacuum Tubes and Collection Bag.
3. Secure the Vacuum Inlet Cover. Make sure that the Latch on the Vacuum Inlet Cover is securely fastened and the screw is reinstalled.
4. Reinstall the blower tubes as shown in the "Blower Tube Assembly" section.

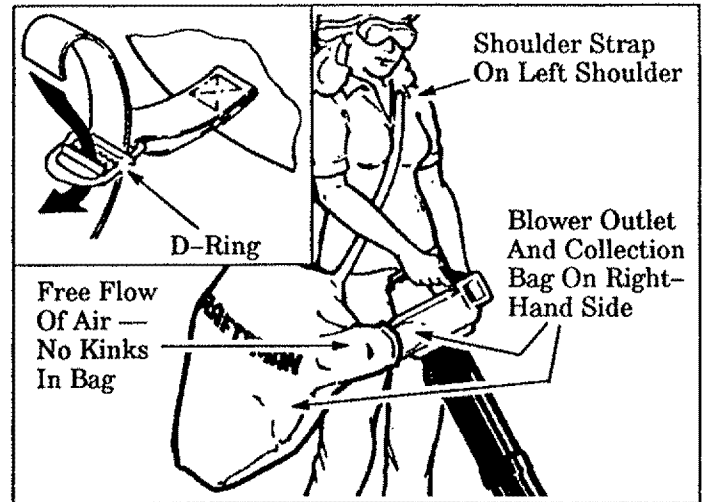


Figure 6

# USING YOUR UNIT

## A. OPERATOR SAFETY

### ▲ WARNING

Do not assemble or disassemble the vacuum tube while the unit is running. Inserting or removing the vacuum tube while the unit is running can result in serious injury. Always stop the unit and disconnect the power source before unclogging the unit or performing any maintenance on the collection bag.

As a blower, the unit is designed to blow debris, grass, straw, leaves, or small twigs. Never use for spreading or misting chemicals, fertilizers, or any other materials which may contain toxic substances. As a vacuum, the unit is designed to pick up dry material such as leaves, grass, small twigs, and bits of paper. Do not attempt to vacuum stones, gravel, metal, broken glass, or any other debris which may cause damage to the impeller. Do not attempt to vacuum snow, water, or any other liquids to avoid the possibility of electrical shock. Vacuuming water or other liquids will cause damage to the unit and possible electrical shock. Avoid situations that could catch the collection bag on fire. Do not operate near an open flame. Do not vacuum discarded cigars or cigarettes or ash from fireplaces, barbecue pits, brush piles, etc.

1. **Read your Operator's Manual.** Make sure you completely understand and can follow all warnings and safety instructions in the manual before operating the unit.
2. **Always wear eye protection** to prevent rocks or debris from being blown or ricocheting into eyes and face which can result in blindness or other serious injury.
3. **Always wear a respirator or facemask** when working in dusty environments.
4. **Dress safely in long pants.** Do not go barefoot or wear sandals, short pants, loose clothing, or jewelry.
5. **Check the unit before each operation.** Look for worn, loose, missing, or damaged parts. Do not use the unit until it is in proper working order.
6. **Inspect area before operating unit.** Remove all debris and objects such as rocks, glass, wire, large sticks, etc that can cause damage during operation.

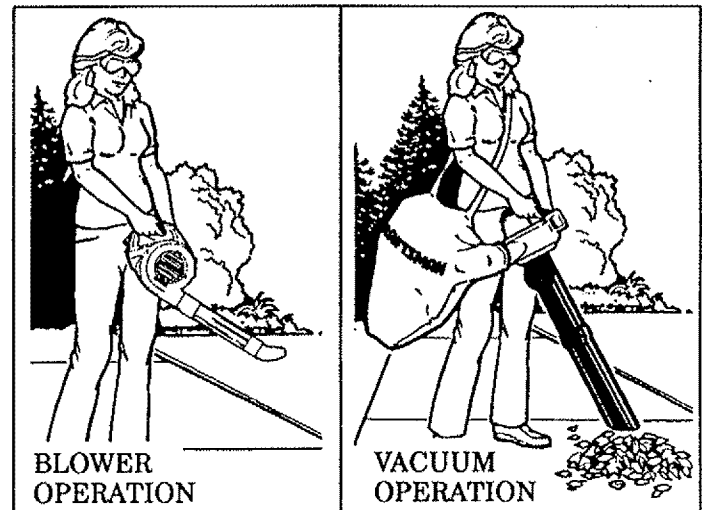


Figure 7

7. **Keep children, bystanders, and animals safely away.** Before starting the unit and during operation, make certain children, people, and animals are a minimum of 30 feet away from the work area.
8. **Check air intake opening, blower tubes, and vacuum tubes frequently,** always with the motor stopped and the power source disconnected. Keep vents and discharge tubes free of debris which can accumulate and restrict proper air flow.
9. **Use the correct operating position.** Figure 7. Do not overreach or use from unstable surfaces such as ladders, trees, steep slopes, roof tops, etc. Keep firm footing and balance at all times.
10. **Never place objects inside the blower tubes;** always direct blowing debris away from people, animals, glass, and solid objects such as trees, automobiles, walls, etc. The force of air can cause rocks, dirt, or sticks to be thrown or to ricochet which may hurt people or animals, break glass, or cause other damage.
11. **Never run the unit without the proper equipment attached.** When using your unit as a blower, always install blower tubes. When using your unit as a vacuum, always install vacuum tubes and collection bag assembly. Make sure collection bag assembly is completely zipped.
12. **When using your unit as a vacuum,** always use collection bag shoulder strap to avoid loss of control.

## B. EXTENSION CORD

1. Use only a 120 A.C. voltage supply as shown on the nameplate of the unit to power your blower.
2. The extension cord used to reach the power source must be:
  - a. Specifically marked as suitable for outdoor use (WA).
  - b. Heavy enough to carry the current from the power source the full length of the extension cord to the unit. Otherwise, loss of power and overheating can occur causing damage to the unit. Refer to Figure 8 for minimum wire gauge recommendations. *The cord must be marked with the proper wire gauge.* (Appropriate extension cords are available.)
  - c. In good condition. Cord insulation must be intact with no cracks or deterioration. Plug connectors must be undamaged.
3. Secure extension cord to unit as follows:
  - a. Loop the extension cord through the cord retainer and around the hook. Figure 8.
  - b. Insert cord socket into recessed plug. Figure 9.

MINIMUM WIRE GAUGE RECOMMENDATIONS			
VOLTS	25 FT.	50 FT.	100 FT.
120	18	16	14
	A.W.G.*	A.W.G.*	A.W.G.*

\*American Wire Gauge

Figure 8

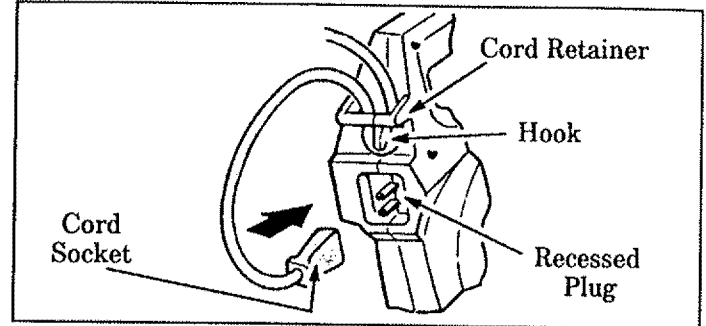


Figure 9

## C. OPERATING TIPS -- BLOWER

### ▲ WARNING

Do not use the unit as a blower without the blower tubes properly attached to avoid flying debris and/or impeller contact which can cause serious injury.

### ▲ WARNING

Always wear eye protection to prevent rocks or debris from being blown or ricocheting into the eyes and face which can result in blindness or other serious injury.

1. Always work going away from solid objects such as walls, large stones, automobiles and fences.
2. Clean corners by starting in corners and moving outward to straight areas to prevent an accumulation of debris which could fly into face.

3. Be careful when working near plants. The force of the air could damage tender plants.
4. Direct air flow by directing the nozzle down or to one side.
5. Vary air flow by adjusting the position of switch. Use low speed when blowing in corners, against walls, around tender plants, etc. Use high speed when blowing in open areas or when vacuuming.
6. Use the assist handle located on the side of the unit when working above the waist or when a two-handed grip is desired.
7. Uses For Your Blower:
  - a. Sweeping debris or grass clippings from driveways, sidewalks, patios, parks, parking lots, barns, stadiums, etc.
  - b. Piling grass clippings, straw, or leaves.
  - c. Removing debris from corners, around joints, and between bricks.

## D. OPERATING TIPS -- VACUUM

### ▲ WARNING

Do not use the unit as a vacuum without the vacuum tubes and collection bag properly attached to avoid flying debris and/or impeller contact which can cause serious injury. Always make sure the collection bag is completely zipped before the unit is started.

1. When using your unit as a vacuum, best results are achieved when the unit is operated at full speed.
2. Move the unit slowly back and forth over debris to be vacuumed. Avoid forcing the vacuum tube into a pile of debris as this can clog the unit.
3. The vacuum can pick up objects that are too big to pass through the impeller. This type of object will fall out of the vacuum tubes when the unit is stopped.
4. If the unit becomes clogged:

- a. Stop the motor and disconnect the power source. Do not attempt to remove obstructions with the motor running.
  - b. Wait until the impeller has completely stopped turning, then remove the vacuum tube.
  - c. Carefully reach into the vacuum opening and clear out debris.
5. The collection bag must be properly emptied and maintained to avoid deterioration and obstruction of air flow which will reduce the performance of the vacuum.
    - a. Remove the bag from the unit. Empty after each use by turning the bag inside out and shaking out debris. Do not store bag containing leaves, grass, etc.
    - b. Wash the bag once a year as follows:
      - 1) Turn the bag inside out.
      - 2) Hang it up.
      - 3) Thoroughly hose it down.
      - 4) Let bag hang until dry.

## E. PRE-OPERATION CHECKS

Before operating your unit, always:

1. ✓CHECK OVER WARNINGS AND SAFETY INSTRUCTIONS in this Operator's Manual. Make certain you completely understand and follow each one.

2. ✓CHECK THE UNIT FOR LOOSE BOLTS, NUTS, OR FITTINGS. Tighten, repair, or replace parts as necessary. Use only genuine replacement parts as recommended by Sears.



# GENERAL MAINTENANCE

## A. MAINTAIN UNIT WITH CARE

### ▲ WARNING

This blower is provided with double insulation. Use only identical replacement parts. All electrical repairs to the unit, including housing, switch, motor, etc., must be diagnosed and repaired by Sears qualified service personnel. Failure to do so can cause the double insulation construction to become ineffective and result in serious injury to the operator.

1. **Keep the air intake clean and air vents free of debris** to avoid overheating the motor. Figure 10. Prevent foreign objects from entering fan area.
2. **If an object is drawn into the unit through the air intake, do the following:**
  - a. Turn the switch to "Off" and unplug the power cord.
  - b. Remove cover screw. Remove the vacuum tubes and/or open the inlet cover (Figure 11).
  - c. Locate and remove object(s).
  - d. Inspect impeller for cracks. If damaged, do not operate unit to avoid injury to operator or others and/or further damage to the unit. Have impeller replaced by a Sears qualified service dealer. Do not attempt to replace it yourself.
  - e. Rotate the impeller to be certain it turns freely. If it does not, check for additional foreign material or have unit inspected and repaired by a Sears qualified service dealer.
  - f. Close cover and reinstall vacuum tubes and cover screw.
3. **If unit vibrates abnormally, stop motor immediately.** Abnormal vibration usually indicates a mechanical problem and continued operation could lead to injury to operator or others and/or damage to the unit.
4. **The unit is equipped with self-lubricating bearings.** Periodic relubrication is not required.
5. **If the unit fails to operate, disconnect extension cord from power source first, then from the unit.** Make sure extension cord is undamaged and that house fuses are not blown or circuit breakers tripped. If the unit still fails to operate, take or send it to your Sears Service Center/Department for repair. Do not attempt to repair it yourself.

## B. STORAGE

1. **Clean the unit before storing.** Pay particular attention to the air intake and air vents; keep them free of debris. Use a mild detergent and sponge dampened with warm water to clean the plastic surfaces. Avoid all other types of detergents, cleaners, or solvents; they can contain chemicals, such as aromatic oils (lemon, pine) or kerosene, that can seriously damage the plastic housing. Do not spray the unit with water.
2. **Store in a dry area out of the reach of children.**
3. **The collection bag must be properly emptied and maintained** to avoid deterioration and obstruction of air flow which will reduce the performance of the vacuum. For cleaning instructions, refer to "USING YOUR UNIT," in the "OPERATING TIPS — VACUUM" section.

### ▲ WARNING

Maintain the unit according to recommended procedures.

### ▲ WARNING

Avoid all types of detergents, cleaners or solvents. Never submerge the unit or douse it with water or any other liquid.

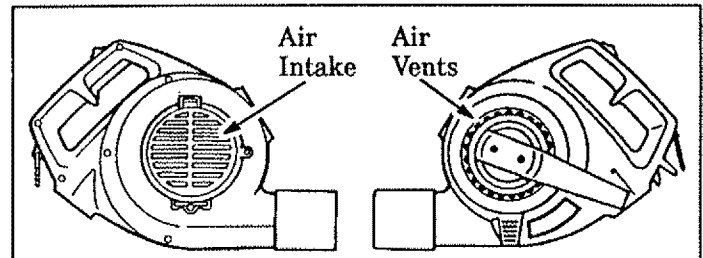


Figure 10

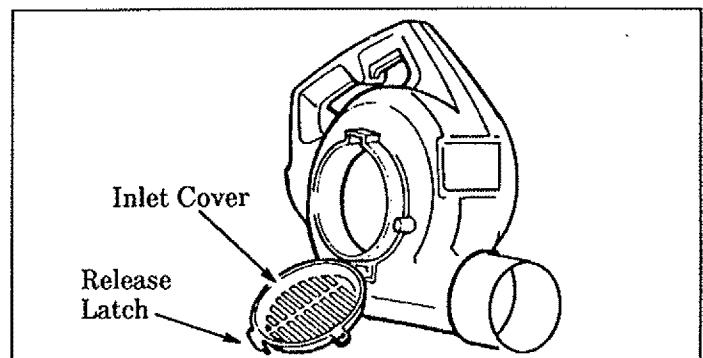


Figure 11

## ACCESSORIES

The following accessories are available through Sears Retail Stores, Catalog Outlets, or Service Centers.

ITEM	STOCK NO.
Safety Glasses .....	9-18613
Safety Goggles .....	9-18590
Gutter Attachment Kit .....	257.799880

---

# NOTES

# QUICK REFERENCE PAGE

**Read and follow all Warnings and Safety Instructions.  
Failure to do so can result in serious injury.**

	PAGE
<b>A. WARNINGS AND SAFETY INSTRUCTIONS</b> .....	<b>3</b>
1. Wear eye protection.	
2. Dress safely — boots or safety shoes and long pants.	
3. Check for worn, loose, missing, or damaged parts and repair or replace before using the unit.	
4. Keep children, bystanders, and animals a minimum of 30 feet away from the work area.	
<b>B. USING YOUR UNIT</b> .....	<b>7</b>
1. Connect your unit to a proper power source.	
2. Make sure the extension cord is completely away from the work area.	
3. Start the unit by pushing the trigger switch forward.	
4. Slide the switch to the off position as soon as work is completed.	
5. Unplug the unit after each blowing operation.	
<b>C. GENERAL MAINTENANCE</b> .....	<b>9</b>
1. Have all maintenance other than the recommended procedures described in the Operator's Manual performed by your Sears Service Center/Department.	
2. Store in a dry place out of the reach of children.	

# SEARS

## operator's manual

Model No.  
**257.796362**  
Electric Blower

### How to Order Repair Parts

**SEARS SERVICE  
IS AT YOUR SERVICE**

The Model Number will be found below the top handle with the Serial Number. Always mention the Model Number when requesting service or repair parts for your unit.

All parts listed herein may be ordered from any Sears Service Center and most Sears Stores.

WHEN ORDERING REPAIR PARTS ALWAYS GIVE THE FOLLOWING INFORMATION AS SHOWN IN THIS LIST:

- |  |   |
|--|---|
| 1. The PART NUMBER                       | 3. The PART DESCRIPTION                         |
| 2. The MODEL NUMBER<br><b>257.796362</b> | 4. The NAME OF ITEM —<br><b>Electric Blower</b> |

If the parts you need are not stocked locally, your order will be transmitted to a Sears Repair Parts Distribution Center for handling.



When you buy merchandise from Sears you get an extra value that nobody else can offer — Sears Service.

Across town or across the country, Sears Service is always near, providing trustworthy, competent service technicians using only Sears specified factory parts.

Your Sears Merchandise takes on added value when you discover that Sears has Service Units throughout the country. Each is staffed by Sears-Trained, professional technicians using Sears approved methods.

Sold by Sears, Roebuck and Co., Chicago, Ill. 60684 USA