

BLACK+ DECKER™

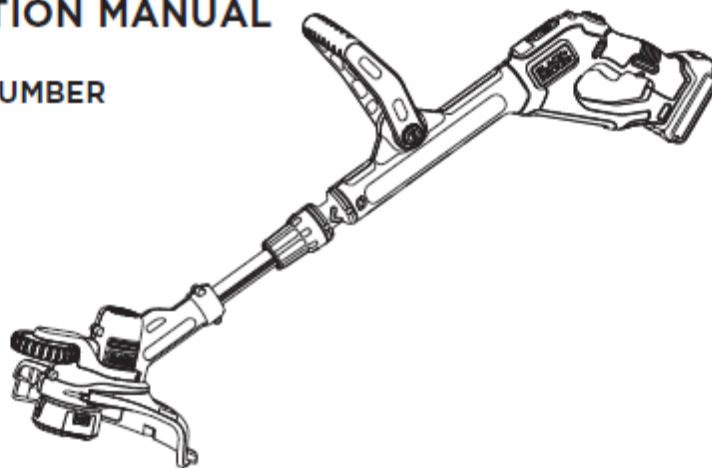
20V MAX* STRING TRIMMER

INSTRUCTION MANUAL

CATALOG NUMBER

LSTE523

LSTE525



Thank you for choosing BLACK+DECKER!

PLEASE READ BEFORE RETURNING THIS PRODUCT FOR ANY REASON.

If you have a question or experience a problem with your BLACK+DECKER purchase, go to <http://www.blackanddecker.com/Instantanswers>

If you can't find the answer or do not have access to the Internet, call 1-800-544-6986 from 8 a.m. to 5 p.m. EST Mon. - Fri. to speak with an agent.

Please have the catalog number available when you call.

SAVE THIS MANUAL FOR FUTURE REFERENCE.

VEA EL ESPAÑOL EN LA CONTRAPORTADA.

INSTRUCTIVO DE OPERACIÓN, CENTROS DE SERVICIO Y PÓLIZA DE GARANTÍA.

ADVERTENCIA: LÉASE ESTE INSTRUCTIVO ANTES DE USAR EL PRODUCTO.

*Maximum Initial battery pack voltage (measured without a workload) is 20 volts. Measured under a workload, nominal voltage is 18.

KEY INFORMATION YOU SHOULD KNOW:

- The guard must be installed before trimming or edging - if not, the motor will overheat (page 7).
- When replacing the line, use only .065 inch diameter ROUND line (B+D Model #AF-100 is recommended) - otherwise the appliance will not function properly (page 11).
- Do not bump the feed head against the ground - it will disrupt the feed mechanism.
- For use only with lithium-ion 20v MAX* batteries.

To register your new product, call 1-800-544-6986
or visit www.BlackandDecker.com/NewOwner

SAFETY GUIDELINES - DEFINITIONS

It is important for you to read and understand this manual. The information it contains relates to protecting YOUR SAFETY and PREVENTING PROBLEMS. The symbols below are used to help you recognize this information.

⚠ DANGER: Indicates an imminently hazardous situation which, if not avoided, will result in death or serious injury.

⚠ WARNING: Indicates a potentially hazardous situation which, if not avoided, could result in death or serious injury.

⚠ CAUTION: Indicates a potentially hazardous situation which, if not avoided, may result in minor or moderate injury.

NOTICE: Used without the safety alert symbol indicates potentially hazardous situation which, if not avoided, may result in property damage.

Important Safety Warnings

⚠ WARNING: When using electric gardening appliances, basic safety precautions should always be followed to reduce risk of fire, electric shock, and personal injury, including the following.

READ ALL INSTRUCTIONS

- **ALWAYS WEAR EYE PROTECTION** – Wear safety spectacles or goggles at all times when battery is installed. These items are available for purchase.
- **GUARD** – Do not use this appliance without guard attached.
- **DRESS PROPERLY** – Do not wear loose clothing or jewelry. They can be caught in moving parts. Gloves and substantial rubber soled footwear are recommended when working outdoors. Don't operate the appliance when barefoot or wearing open sandals. Wear **heavy long pants** to protect your legs. Wear protective hair covering to contain long hair.
- **NYLON LINE** – Keep face, hands and feet clear of rotating nylon line at all times.
- **THE ROTATING LINE PERFORMS A CUTTING FUNCTION** – Use care when trimming around screens and desirable plantings.
- **KEEP ALL BYSTANDERS AWAY** – at a safe distance from work area, especially children.
- **IMPORTANT WARNING** – When being used as an Edger, stones, pieces of metal and other objects can be thrown out at high speed by the line. The appliance and guard are designed to reduce the danger. However, the following special precautions should be taken: **MAKE SURE** that other persons and pets are at least 100 feet (30m) away.
- **TO REDUCE THE RISK OF rebound (ricochet) injury**, work going away from any nearby solid object such as wall, steps, large stone, tree, etc. Use great care when working close to solid objects and where necessary, do trimming by hand.
- **AVOID ACCIDENTALLY STARTING** – Don't carry with finger on trigger when battery is installed.
- **USE THE RIGHT APPLIANCE** – Do not use this appliance for any job except that for which it is intended.
- **DON'T OVERREACH** – Keep proper footing and balance at all times.
- **DON'T FORCE APPLIANCE** – It will do the job better and with less likelihood of a risk of injury at the rate for which it was designed.
- **DAMAGE TO UNIT** – If you strike or become entangled with a foreign object, stop appliance immediately, remove battery, check for damage and have any damage repaired before further operation is attempted. Do not operate with a broken hub or spool.
- **REMOVE BATTERY** – when not in use, when replacing line, or prior to cleaning.
- **AVOID DANGEROUS ENVIRONMENTAL CONDITIONS** – Do not use electric appliances in damp or wet locations. Follow all instructions in this Instruction Manual for proper operation of your appliance. Don't use the appliance in the rain.
- **DO NOT OPERATE** portable electric appliances in gaseous or explosive atmospheres. Motors in these appliances normally spark, and the sparks might ignite fumes.
- **STORE IDLE APPLIANCES INDOORS** – When not in use, appliances should be stored indoors in a dry, locked-up place out of reach of children.
- **STAY ALERT** – Do not operate this unit when you are tired, ill, or under the influence of alcohol, drugs, or medication.
- **MAINTAIN APPLIANCES WITH CARE** – Follow instructions in maintenance section. Keep handles dry, clean and free from oil and grease.
- **CHECK DAMAGED PARTS** – Before further use of the appliance, a guard or other part that is damaged should be carefully checked to determine that it will operate properly and perform its intended function. Check for alignment of moving parts, binding of moving parts, breakage of parts, mounting, and any other condition that may affect its operation. A guard or other part that is damaged should

- be properly repaired or replaced by an authorized service center unless otherwise indicated elsewhere in this manual.
- **DO NOT** immerse appliance in water or squirt it with a hose. **DO NOT** allow any liquid to get inside it. If appliance does get wet, allow to dry for a minimum of 48 hours.
 - **DO NOT** store the appliance on or adjacent to fertilizers or chemicals.
 - **DO NOT** clean with a pressure washer.
 - Keep guards in place and in working order.
 - Keep hands and feet away from cutting area.
 - Do not charge appliance in rain, or in wet locations

⚠WARNING: Do not use appliance if the switch trigger does not turn the appliance on or off. Any appliance that can not be controlled with the switch trigger is dangerous and must be repaired.

⚠WARNING: Some dust created by this product contains chemicals known to the State of California to cause cancer, birth defects or other reproductive harm. Some examples of these chemicals are:

- compounds in fertilizers
- compounds in insecticides, herbicides and pesticides
- arsenic and chromium from chemically treated lumber

To reduce your exposure to these chemicals, wear approved safety equipment such as dust masks that are specially designed to filter out microscopic particles.

SYMBOLS

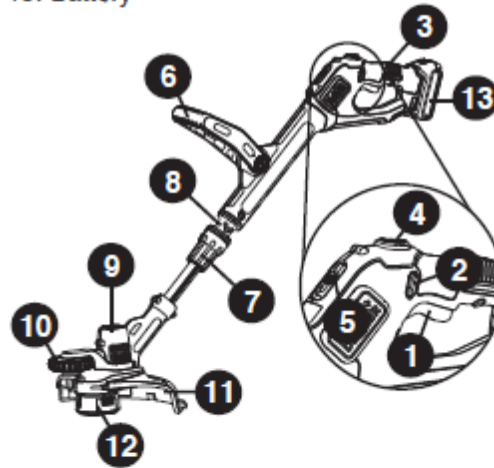
The label on your appliance may include the following symbols. The symbols and their definitions are as follows:

- V volts
- A amperes
- Hz hertz
- W watts
- min minutes
- ~ or AC alternating current
- or DC direct current
- n₀ no load speed

- Ⓜ Class I Construction (grounded)
- Ⓧ earthing terminal
- ⚠ safety alert symbol
- Class II Construction (double insulated)
- .../min or rpm...revolutions or reciprocation per minute
- ☉ Use proper respiratory protection
- 📖 Read instruction manual before use
- 👁 Use proper eye protection
- 👂 Use proper hearing protection

FUNCTIONAL DESCRIPTION

1. Trigger
2. Lock-off button
3. Handle
4. **EASYFEED™** button
5. Speed-control switch
6. Auxiliary handle
7. Height-adjust collar
8. Flip-to-edge collar
9. Trimmer head
10. Edge wheel
11. Guard
12. Spool housing
13. Battery



BLACK+DECKER Battery and Charger Systems							
Chargers/Charge Time** (Hours) (0% to 100% charge)							
20V MAX* Batteries	Watt Hours	20V MAX* Chargers					
		LCS200	LCS1620	LCS201	LCS202	L2AFC	L2AFCBST
LBX20	26	6.5	3.25	1.3	0.65	0.65	0.65
LBXR20	30	7.5	3.75	1.5	0.75	0.75	0.75
LBXR2020	40	10	5	2	1	1	1
LBXR2520	50	12.5	6.25	2.5	1.25	1.25	1.25
LB2X3020	60	15	7.5	3	1.5	1.5	1.5
LB2X4020	80	20	10	4	2	2	2

**All charge times are approximate. Actual charge time may vary.

IMPORTANT SAFETY INSTRUCTIONS FOR BATTERY CHARGERS

SAVE THESE INSTRUCTIONS: This manual contains important safety instructions for battery chargers.

- Before using charger, read all instructions and cautionary markings on charger, battery pack, and product using battery pack.

⚠ **WARNING: Shock hazard.** Do not allow any liquid to get inside charger.

⚠ **CAUTION: Burn hazard.** To reduce the risk of injury, charge only designated BLACK+DECKER batteries. Other types of batteries may burst causing personal injury and damage.

⚠ **CAUTION:** Under certain conditions, with the charger plugged in to the power supply, the charger can be shorted by foreign material. Foreign materials of a conductive nature such as, but not limited to, steel wool, aluminum foil, or any buildup of metallic particles should be kept away from charger cavities. Always unplug the charger from the power supply when there is no battery pack in the cavity. Unplug charger before attempting to clean.

⚠ **WARNING: DO NOT attempt to charge the battery pack with any chargers other than the ones in this manual.** The charger and battery pack are specifically designed to work together.

- **These chargers are not intended for any uses other than charging designated BLACK+DECKER rechargeable batteries.** Any other uses may result in risk of fire, electric shock or electrocution.
- **Do not expose charger to rain or snow.**
- **Pull by plug rather than cord when disconnecting charger.** This will reduce risk of damage to electric plug and cord.
- **Make sure that cord is located so that it will not be stepped on, tripped over, or otherwise subjected to damage or stress.**
- **Do not use an extension cord unless it is absolutely necessary.** Use of improper extension cord could result in risk of fire, electric shock, or electrocution.
- **An extension cord must have adequate wire size (AWG or American Wire Gauge) for safety.** The smaller the gauge number of the wire, the greater the capacity of the cable, that is 16 gauge has more capacity than 18 gauge. When using more than one extension to make up the total length, be sure each individual extension contains at least the minimum wire size.

Minimum Gauge for Cord Sets					
Volts	Total Length of Cord in Feet				
	0-25	26-50	51-100	101-150	
Ampere Rating					
More Than	Not more Than	American Wire Gauge			
0 - 6	18	16	16	14	
6 - 10	18	16	14	12	

- **Do not operate charger with damaged cord or plug — have them replaced immediately.**
- **Do not operate charger if it has received a sharp blow, been dropped, or otherwise damaged in any way.** Take it to an authorized service center.
- **Do not disassemble charger;** take it to an authorized service center when service or repair is required. Incorrect reassembly may result in a risk of electric shock, electrocution or fire.
- **Disconnect the charger from the outlet before attempting any cleaning.** This will reduce the risk of electric shock. Removing the battery pack will not reduce this risk.
- **NEVER attempt to connect 2 chargers together.**
- **The charger is designed to operate on standard household electrical power (120 Volts). Do not attempt to use it on any other voltage.**

SAVE THESE INSTRUCTIONS

IMPORTANT SAFETY INSTRUCTION FOR BATTERY PACKS

⚠ **WARNING:** For safe operation, read this manual and manuals originally supplied with appliance before using the charger.

The battery pack is not fully charged out of the carton. Before using the battery pack and charger, read the safety instructions below. Then follow charging procedures outlined.

READ ALL INSTRUCTIONS

- **Do not incinerate the battery pack even if it is severely damaged or is completely worn out.** The battery pack can explode in a fire. Toxic fumes and materials are created when battery packs are burned.
- **Do not charge or use battery in explosive atmospheres, such as in the presence of flammable liquids, gases or dust.** Inserting or removing the battery from the charger may ignite the dust or fumes.
- **If battery contents come into contact with the skin, immediately wash area with mild soap and water.** If battery liquid gets into the eye, rinse water over the open eye for 15 minutes or until irritation ceases. If medical attention is needed, the battery electrolyte for Lithium-Ion batteries is composed of a mixture of liquid organic

carbonates and lithium salts.

- Contents of opened battery cells may cause respiratory irritation. Provide fresh air. If symptoms persist, seek medical attention.
- ⚠ **WARNING: Burn hazard.** Battery liquid may be flammable if exposed to spark or flame.
- Charge the battery packs only in **BLACK+DECKER** chargers.
- **DO NOT splash or immerse in water or other liquids.** This may cause premature cell failure.
- **Do not store or use the appliance and battery pack in locations where the temperature may reach or exceed 105°F (40°C) (such as outside sheds or metal buildings in summer).**

⚠ **WARNING:** Never attempt to open the battery pack for any reason. If battery pack case is cracked or damaged, do not insert into charger. Do not crush, drop or damage battery pack. Do not use a battery pack or charger that has received a sharp blow, been dropped, run over or damaged in any way (i.e., pierced with a nail, hit with a hammer, stepped on). Damaged battery packs should be returned to service center for recycling.

⚠ **WARNING: Fire hazard.** Do not store or carry battery so that metal objects can contact exposed battery terminals. For example, do not place battery in aprons, pockets, tool boxes, product kit boxes, drawers, etc., with loose nails, screws, keys, etc. Transporting batteries can possibly cause fires if the battery terminals inadvertently come in contact with conductive materials such as keys, coins, hand tools and the like. The US Department of Transportation Hazardous Material Regulations (HMR) actually prohibit transporting batteries in commerce or on airplanes (i.e., packed in suitcases and carry-on luggage) UNLESS they are properly protected from short circuits. So when transporting individual batteries, make sure that the battery terminals are protected and well insulated from materials that could contact them and cause a short circuit. **NOTE: Lithium-Ion batteries should not be put in checked baggage.**

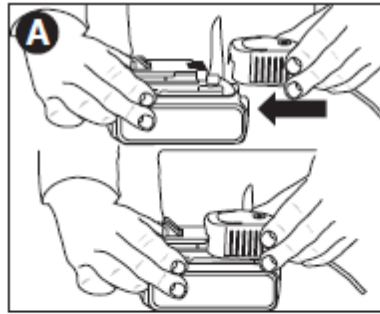
STORAGE RECOMMENDATIONS

1. The best storage place is one that is cool and dry away from direct sunlight and excess heat or cold.
2. Long storage will not harm the battery pack or charger.

CHARGING PROCEDURE

BLACK+DECKER chargers are designed to charge **BLACK+DECKER** battery packs.

1. Plug the charger into an appropriate outlet before inserting the battery pack.
2. Insert the battery pack into the charger as shown in **Figure A**.



3. The green LED will flash indicating that the battery is being charged.

4. The completion of charge is indicated by the green LED remaining on continuously. The pack is fully charged and may be used at this time or left on the charger.

Recharge discharged batteries as soon as possible after use or battery life may be greatly diminished. For longest battery life, do not discharge batteries fully. It is recommended that the batteries be recharged after each use.

CHARGER DIAGNOSTICS

This charger is designed to detect certain problems that can arise with the battery packs or the power source. Problems are indicated by one LED flashing in different patterns.

BAD BATTERY

The charger can detect a weak or damaged battery. The red LED flashes in the pattern indicated on the label. If you see this bad battery blink pattern, do not continue to charge the battery. Return it to a service center or a collection site for recycling.

HOT/COLD PACK DELAY

When the charger detects a battery that is excessively hot or excessively cold, it automatically starts a Hot/Cold Pack Delay, suspending charging until the battery has normalized. After this happens, the charger automatically switches to the Pack Charging mode. This feature ensures maximum battery life. The red LED flashes in the pattern indicated on the label when the hot / cold pack delay is detected.

LEAVING THE BATTERY IN THE CHARGER

The charger and battery pack can be left connected with the green LED glowing indefinitely. The charger will keep the battery pack fresh and fully charged.

IMPORTANT CHARGING NOTES

1. Longest life and best performance can be obtained if the battery pack is charged when the air temperature is between 65°F and 75°F (18°- 24°C). DO NOT charge

the battery pack in an air temperature below +40°F (+4.5°C), or above +105°F (+40.5°C). This is important and will prevent serious damage to the battery pack.

2. The charger and battery pack may become warm to touch while charging. This is a normal condition, and does not indicate a problem. To facilitate the cooling of the battery pack after use, avoid placing the charger or battery pack in a warm environment such as in a metal shed, or an uninsulated trailer.
3. If the battery pack does not charge properly:
 - a. Check current at receptacle by plugging in a lamp or other appliance
 - b. Check to see if receptacle is connected to a light switch which turns power off when you turn out the lights.
 - c. Move charger and battery pack to a location where the surrounding air temperature is approximately 65°F - 75°F (18° - 24°C).
 - d. If charging problems persist, take the appliance, battery pack and charger to your local service center.
4. The battery pack should be recharged when it fails to produce sufficient power on jobs which were easily done previously. DO NOT CONTINUE to use under these conditions. Follow the charging procedure. You may also charge a partially used pack whenever you desire with no adverse affect on the battery pack.
5. Foreign materials of a conductive nature such as, but not limited to, steel wool, aluminum foil, or any buildup of metallic particles should be kept away from charger cavities. Always unplug the charger from the power supply when there is no battery pack in the cavity. Unplug charger before attempting to clean.
6. Do not freeze or immerse charger in water or any other liquid.

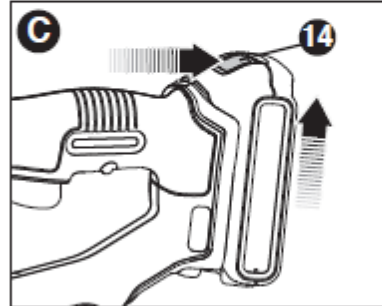
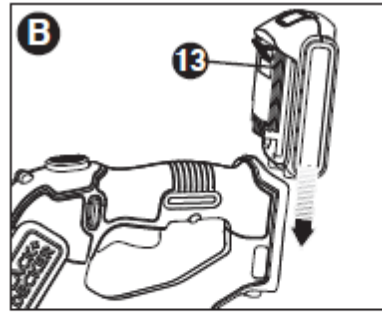
⚠ WARNING: Shock hazard. Do not allow any liquid to get inside charger. *Never attempt to open the battery pack for any reason. If the plastic housing of the battery pack breaks or cracks, return to a service center for recycling.*

INSTALLING AND REMOVING THE BATTERY PACK FROM THE APPLIANCE

⚠ WARNING: *Make certain the lock-off button is not engaged to prevent switch actuation before removing or installing battery.*

TO INSTALL BATTERY PACK: Insert battery (13) into appliance until an audible click is heard (**Figure B**). Ensure battery pack is fully seated and fully latched into position.

TO REMOVE BATTERY PACK: Depress the battery release button (14) as shown in **Figure C** and pull battery pack out of appliance.



SAVE THESE INSTRUCTIONS

ASSEMBLY AND ADJUSTMENT

⚠ WARNING: BEFORE ASSEMBLY, MAKE SURE THAT THE APPLIANCE IS SWITCHED OFF AND THE BATTERY HAS BEEN REMOVED.

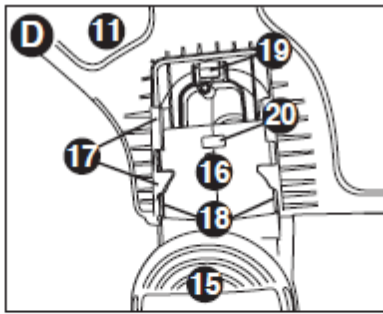
ASSEMBLY TOOLS REQUIRED (NOT SUPPLIED):

- Phillips Screwdriver

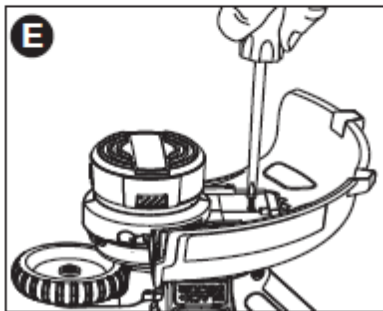
INSTALLING THE GUARD

⚠ WARNING: REMOVE THE BATTERY FROM THE APPLIANCE BEFORE ATTEMPTING TO ATTACH THE GUARD, EDGE GUIDE OR HANDLE. NEVER OPERATE APPLIANCE WITHOUT GUARD FIRMLY IN PLACE. THE GUARD MUST ALWAYS BE ON THE APPLIANCE TO PROTECT THE USER.

- Remove the screw from the guard.
- Turn the trimmer upside down so that you are looking down at the spool cap (15).
- Turn the guard (11) upside down and slide it fully onto the motor housing (16). Make sure the tabs (17) on the guard engage the ribs (18) on the motor housing as shown.
- Continue to slide the guard on until you hear it “snap” into place. The locking tab (19) should snap into the housing slot (20).

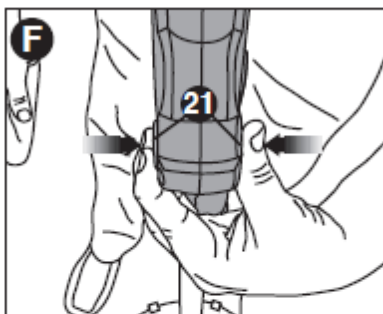


- Using a phillips screwdriver, insert the guard screw and tighten securely as shown in **Figure E** to complete the guard assembly.
- Once the guard is installed, remove the covering from the line cut-off blade, located on the edge of the guard

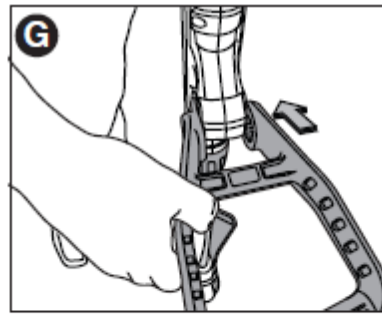


ATTACHING THE AUXILIARY HANDLE

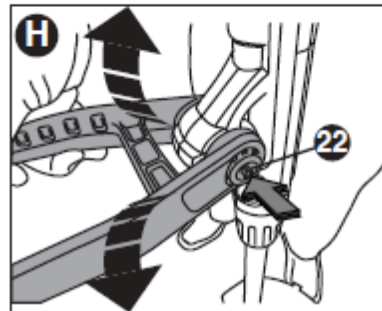
To attach the handle, press in on the buttons (21) on both sides of the upper housing as shown in **figure F**.



- Position the handle as shown in **figure G** (with the BLACK+DECKER logo facing upward). Partially push the handle on so it will hold the buttons in when you release them with your hand.



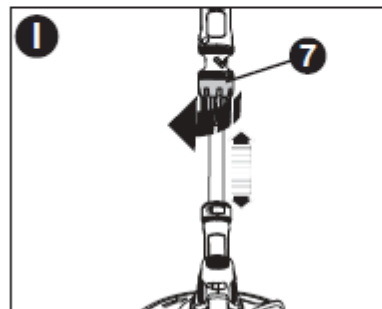
- Push the handle completely onto the housing and position it slightly until it “snaps” into place.
- To adjust the handle up or down, press in on the button (22) and raise or lower the handle (**figure H**).
- The handle should be adjusted so that your front arm is straight when the trimmer is in the working position.



HEIGHT ADJUSTMENT

CAUTION: Adjust the length of the trimmer to obtain proper working positions shown in **figures J - J3**.

- The overall height of the trimmer can be adjusted by loosening the height-adjust collar (7) by rotating it in the direction of the arrow shown in **figure I**.
- Move the upper housing straight up or down. When the desired height is achieved, tighten the collar by rotating it opposite of the direction shown in **figure I**.



RELEASING THE CUTTING LINE

In transit, the cutting line is taped to the spool housing.

- Remove the tape holding the cutting line to the spool housing.

OPERATION

⚠WARNING: ALWAYS USE PROPER EYE PROTECTION THAT CONFORMS TO ANSI Z87.1 (CAN/CSA Z94.3) WHILE OPERATING THIS APPLIANCE.

⚠WARNING: Remove the battery before making any assembly, adjustments, or changing accessories. Such preventive safety measures reduce the risk of starting the trimmer accidentally.

⚠CAUTION: Before you begin trimming, only use the appropriate type of cutting line.

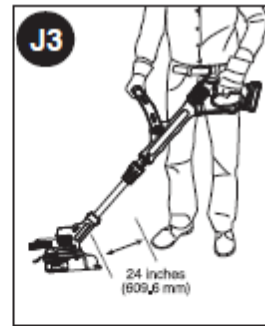
⚠CAUTION: Inspect area to be trimmed and remove any wire, CORD, OR STRING-LIKE OBJECTS WHICH COULD BECOME ENTANGLED IN THE rotating line or spool. Be particularly careful to avoid any wire which might be bent outwardly into the path of the appliance, such as barbs at the base of a chain link fence.

SWITCHING ON AND OFF

- To switch the appliance on, push the lock-off button (2), and squeeze the trigger (1).
- To switch the appliance off, release the trigger.

OPERATING THE TRIMMER

- With the unit on, angle unit and slowly swing the trimmer side to side as shown in **figure J**.
- Maintain a cutting angle of 5° to 10° as shown in **figure J1**. Do not exceed 10° (**figure J2**). Cut with the tip of the line. To keep distance from hard surfaces use edge wheel (10).
- Maintain a minimum distance of **24 inches (609.6 mm)** between the guard and your feet as shown in **figure J3**. To achieve this distance adjust the overall height of the trimmer as shown in **figure I**.



EASYFEED™ BUTTON

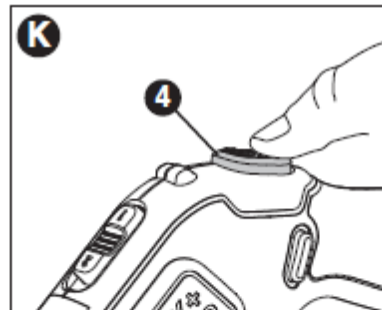
The **EASYFEED™** feature allows you to advance the length of cutting line available while trimming.

- To extend the cutting line, fully depress the **EASYFEED™** button (4) while trimming and then release (**figure K**).

NOTE: The trimmer will stop cutting when the **EASYFEED™** button is pressed and will resume cutting when released.

- For maximum line length, press the button multiple times until you hear the cutting line hitting the guard.

NOTE: Do not continue to press the **EASYFEED™** button once the maximum length is reached. This will result in overfeeding and will consume string quickly.

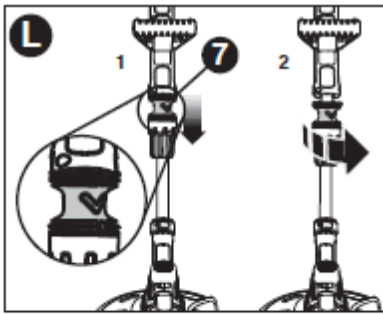


CONVERT TO EDGING MODE

⚠CAUTION: The wheeled edge guide should only be used when in the edging mode. The trimmer can be used in trimming mode or edging mode to trim overhanging grass along lawn edges and flower beds.

For edging, the trimmer head should be in the position shown in **figure M**. If it is not:

- Remove the battery from the trimmer.
- Grasp the flip-to-edge collar (8) and push down as shown in part 1 of **figure L**.
- Rotate the flip-to-edge collar 180° counterclockwise as shown in part 2, until the handle snaps back into the upper half of the trimmer.



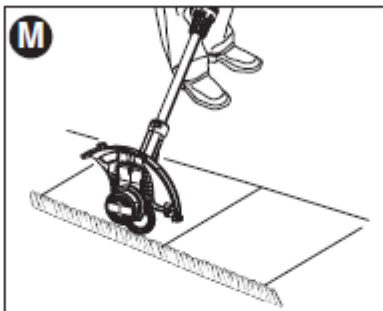
- To return to trimming position, pull the flip-to-edge collar down and rotate the head clockwise back to its original position.

NOTE: You will experience faster than normal cutting line wear if the trimmer line is positioned directly over the sidewalk or abrasive surface.

EDGING

⚠WARNING: When being used as an Edger, stones, pieces of metal and other objects can be thrown out at high speed by the line. The trimmer and guard are designed to reduce the danger. However, **MAKE SURE** that other persons and pets are at least 100 feet (30m) away. Optimum cutting results are achieved on edges deeper than 2 inches (50 mm).

- Do not use this trimmer to create trenches.
- Using the edging wheel (10), guide the trimmer as shown in **figure M**.
- Position the edging wheel on the edge of the sidewalk or abrasive surface so the cutting line is over the grass or dirt area to be edged.
- To make a closer cut, slightly tilt the trimmer.



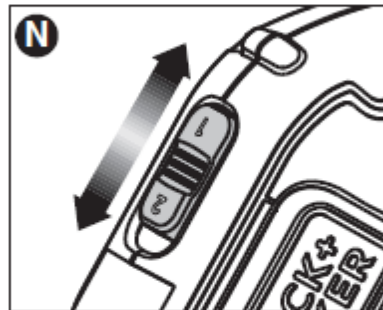
SPEED CONTROL & RUNTIME EXTENSION MODE

This string trimmer gives you the choice to operate at a more efficient speed to extend the runtime for larger jobs, or accelerate the trimmer speed for high-performance cutting (**figure N**).

- To extend runtime, pull the runtime extender switch (5) back toward the battery (13) into position #1. This mode is best for larger projects that require more time to complete.
- To accelerate the trimmer, push the

speed-control switch forward toward the trimmer head (9) into position #2. This mode is best to cut through heavier growth and for applications that need higher RPM.

NOTE: When in acceleration mode (#2), runtime will be decreased as compared to when trimmer is in extended runtime mode (#1).



HELPFUL CUTTING TIPS

- **Use the tip of the string to do the cutting;** do not force string head into uncut grass. Use edge guide along such things as fences, houses and flower beds for best practices.
- Wire and picket fences cause extra string wear, even breakage. Stone and brick walls, curbs, and wood may wear string rapidly.
- Do not allow spool cap to drag on ground or other surfaces.
- In long growth cut from the top down and do not exceed 12 inches (304.8 mm) high.
- Keep trimmer tilted toward the area being cut; this is the best cutting area.
- The trimmer cuts when passing the unit from the right to left. This will avoid throwing debris at the operator.
- Avoid trees and shrubs. Tree bark, wood moldings, siding, and fence posts can easily be damaged by the string.

CUTTING LINE / LINE FEEDING

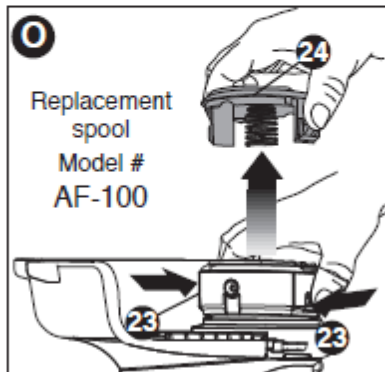
Your trimmer uses **.065 inch (1.65 mm) diameter, ROUND nylon line**. During use, the tips of the nylon lines will become frayed and worn and the special self feeding spool will automatically feed and trim a fresh length of line. Cutting line will wear faster and require more feeding if the cutting or edging is done along sidewalks or other abrasive surfaces or heavier weeds are being cut. The advanced automatic line feeding mechanism senses when more cutting line is needed and feeds and trims the correct length of line whenever it's required. **DO NOT BUMP** unit on ground in attempt to feed line or for any other purposes.

CLEARING JAMS AND TANGLED LINE (FIGURES O, P, Q)

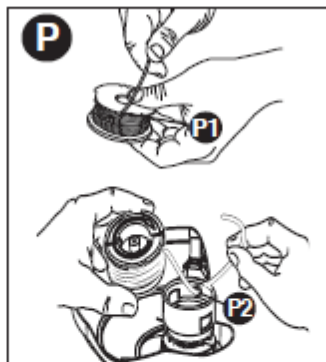
⚠WARNING: Remove the battery from the trimmer before making any assembly,

adjustments or changing accessories. Such preventive safety measures reduce the risk of starting the appliance accidentally. From time to time, especially when cutting thick or stalky weeds, the line feeding hub may become clogged with sap or other material and the line will become jammed as a result. To clear the jam, follow the steps listed below.

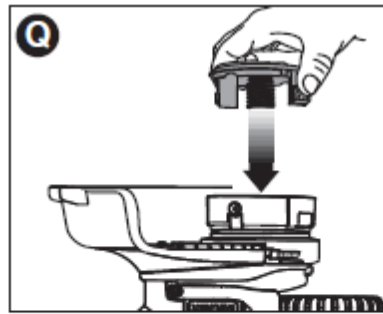
- Remove the battery from the trimmer.
- Press the release tabs (23) on the line spool cap (24), as shown in **figure O** and remove the cap by pulling it straight off.



- Pull the nylon line spool out and clear any broken line or cutting debris from the spool area.
- Place spool and line into spool cap with line "parked" in slots provided as shown in **figure P1**.
- Insert the line end through the appropriate hole in the spool housing. Pull slack line through until it pulls out of the holding slots as shown in **figure P2**.



- Press the spool down GENTLY and rotate it until you feel it drop into place and then push to snap into place. (When in place, the spool will turn a few degrees left and right freely).
- Take care to keep the line from becoming trapped under the spool.
- Align the spool cap tabs with the slots on the spool housing.
- Snap the spool cap back on as shown in **figure O** by depressing lugs and pressing into spool housing.



NOTE: Make sure that cover is fully positioned, listen for two audible clicks to ensure both lugs are correctly located. Power the appliance on. In a few seconds or less you'll hear the nylon line being cut automatically to the proper length.

CAUTION: To avoid appliance damage, if the cutting line protrudes beyond the trimming blade, cut it off so that it just reaches the blade.

NOTE: Other replacement parts (guards, spool caps, etc.) are available through BLACK+DECKER service centers. To find your local service location call: 1-800-544-6986 or visit www.blackanddecker.com.

WARNING: The use of any accessory not recommended by BLACK+DECKER for use with this appliance could be hazardous.

REPLACEMENT ACCESSORIES

CAUTION: Before you begin trimming, only use the appropriate type of cutting line.

EASYFEED™ uses single line, 0.065" AFS compatible accessories. Use BLACK+DECKER Model No. AF-100 replacement spool and RC-100-P replacement spool cap.

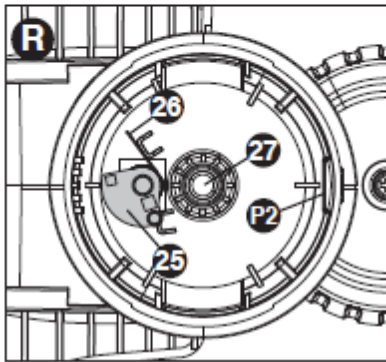
Reload nylon line (either bulk or prewound replacement spool) as shown in this manual.

- USE ONLY .065 inch (1.65 mm) DIAMETER ROUND NYLON MONOFILAMENT LINE. Do not use serrated or heavier gauge line, as they will overload the motor and cause overheating. This line is available at your local dealer or authorized service center.
- Other replacement parts (guards, spool caps, etc.) are available through BLACK+DECKER service centers. To find your local service location call: 1-800-544-6986 or visit www.blackanddecker.com.

WARNING: The use of any accessory not recommended by BLACK+DECKER for use with this appliance could be hazardous.

REPLACING THE SPOOL

- Remove battery from appliance.
- Depress the tabs (21) and remove the spool cap (22) from the spool housing (12) (**figure O**).
- For best results, replace spool with BLACK+DECKER model # AF-100.
- Grasp empty spool with one hand and spool housing with other hand and pull spool out.
- If lever (25) or spring (26) in the base of the housing (**figure R**) become dislodged, replace in correct position before inserting new spool into housing.
- Remove any dirt and grass from the spool and housing.



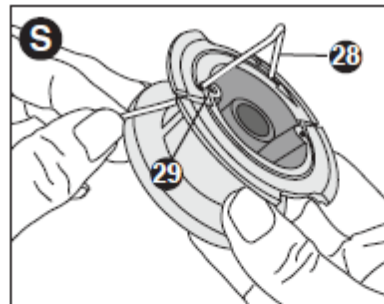
- Unfasten the end of the cutting line and guide the line into the eyelet (P2) **figure P**.
- Take the new spool and push it onto the boss (27) (**figure R**) in the housing. Rotate the spool slightly until it is seated. The line should protrude approximately 5-3/8 inches (136mm) from the housing.
- Align the tabs on the spool cap with the slots in the housing (**figure O**).
- Push the cap onto the housing until it snaps securely into place.

REWINDING SPOOL FROM BULK LINE (USE ONLY .065 IN. ROUND DIAMETER LINE)

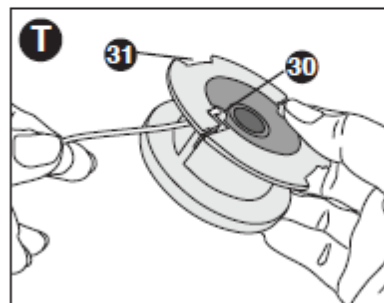
Bulk line is also available for purchase from your local retailer. **NOTE:** Hand wound spools from bulk line are likely to become tangled more frequently than BLACK+DECKER factory wound spools. For best results, factory wound spools are recommended.

To install bulk line, follow the steps below:

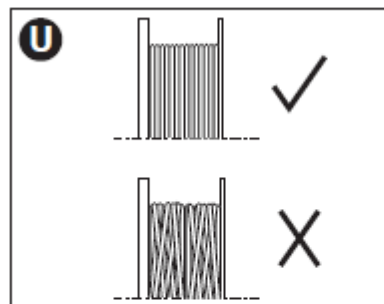
- Remove battery from appliance.
- Remove the empty spool from the appliance as described in "REPLACING THE SPOOL."
- Remove any remaining cutting line from the spool.
- Make a fold at the end of the cutting line at about 3/4 inch (19mm)(28). Feed the cutting line into one of the line anchoring slots (29) as shown in **figure S**.



- Insert the 3/4 inch (19mm) end of the bulk line into the hole (30) in the spool adjacent to the slot as shown in **figure T**. Make sure the line is pulled tight against the spool as shown in **figure T**.



- Wind the cutting line onto the spool in the direction of the arrow on the spool. Make sure to wind the line on neatly and in layers. Do not crisscross (**figure U**).
- When the wound cutting line reaches the recesses (31), cut the line. (**figure T**).
- Fit the spool onto the appliance as described in "REPLACING THE SPOOL".



MAINTENANCE

⚠WARNING: To avoid serious injury, remove the battery from the appliance before performing any maintenance.

1. Keep the air intake slots clean to avoid overheating.
2. Your trimmer line can dry out over time. To keep your line in top condition, store spare pre-wound spools or bulk line in a plastic, sealable bag with a tablespoon of water.
3. Plastic parts may be cleaned by using a mild soap and a damp rag.

4. The line cutter on the edge of the guard can dull over time. It is recommended you periodically touch-up the sharpness of the blade with a file.

IMPORTANT: To assure product SAFETY and RELIABILITY, repairs, maintenance and adjustment should be performed by authorized service centers or other qualified service organizations, always using identical replacement parts.

This Class B digital apparatus complies with Canadian ICES-003.

This device complies with part 15 of the FCC rules. Operation is subject to the following two conditions: (1) This device may not cause harmful interference, and (2) this device must accept any interference received, including interference that may cause undesired operation.

NOTE: This equipment has been tested and found to comply with the limits for a Class B digital device, pursuant to Part 15 of the FCC Rules. These limits are designed to provide reasonable protection against harmful interference in a residential installation. This equipment generates, uses and can radiate radio frequency energy and, if not installed and used in accordance with the instructions, may cause harmful interference to radio communications. However, there is no guarantee that interference will not occur in a particular installation.

If this equipment does cause harmful interference to radio or television reception, which can be determined by turning the equipment off and on, the user is encouraged to try to correct the interference by one or more of the following measures:

- Reorient or relocate the receiving antenna.
- Increase the separation between the equipment and receiver.
- Connect the equipment into an outlet on a circuit different from that to which the receiver is connected.
- Consult the dealer or an experienced radio/TV technician for help.

Changes or modifications to this unit not expressly approved by the party responsible for compliance could void the user's authority to operate the equipment. This Class B digital apparatus complies with Canadian ICES-003.

The RBRC™ Seal

The RBRC™ (Rechargeable Battery Recycling Corporation) Seal on the lithium-ion battery (or battery pack) indicates that the costs to recycle the battery (or battery pack) at the end of its useful life have already been paid by BLACK+DECKER. In some areas, it is illegal to place spent lithium-ion batteries in the trash or municipal solid waste



stream and the RBRC program provides an environmentally conscious alternative. RBRC in cooperation with BLACK+DECKER and other battery users, has established programs in the United States and Canada to facilitate the collection of spent lithium-ion batteries. Help protect our environment and conserve natural resources by returning the appliance to an authorized BLACK+DECKER service center for recycling. You may also contact your local recycling center for information on where to drop off the spent battery, or call **1-800-8-BATTERY**.

SERVICE INFORMATION

All BLACK+DECKER Service Centers are staffed with trained personnel to provide customers with efficient and reliable service. Whether you need technical advice, repair, or genuine factory replacement parts, contact the BLACK+DECKER location nearest you. To find your local service location, call: **1-800-544-6986** or visit www.blackanddecker.com

TWO-YEAR LIMITED HOME USE WARRANTY

BLACK+DECKER warrants this product for two years against any defects in material or workmanship. The defective product will be replaced or repaired at no charge in either of two ways.

The first, which will result in exchanges only, is to return the product to the retailer from whom it was purchased (provided that the store is a participating retailer). Returns should be made within the time period of the retailer's policy for exchanges (usually 30 to 90 days after the sale). Proof of purchase may be required. Please check with the retailer for their specific return policy regarding returns that are beyond the time set for exchanges. The second option is to take or send the product (prepaid) to a BLACK+DECKER owned or authorized Service Center for repair or replacement at our option. Proof of purchase may be required.

This warranty does not apply to accessories. This warranty gives you specific legal rights and you may have other rights which vary from state to state or province to province. Should you have any questions, contact the manager of your nearest BLACK+DECKER Service Center. This product is not intended for commercial use.

FREE WARNING LABEL REPLACEMENT: If your warning labels become illegible or are missing, call **1-800-544-6986** for a free replacement.

LATIN AMERICA: This warranty does not apply to products sold in Latin America. For products sold in Latin America, check country specific warranty information contained in the packaging, call the local company or see the website for warranty information.

Troubleshooting

PROBLEM

Trimmer runs slowly.

SOLUTION

- Remove battery from trimmer.
- Check that the spool housing can rotate freely. Carefully clean it if necessary.
- Check that the cutting line does not protrude more than approximately 4-13/16 inches (122mm) from the spool. If it does, cut it off so that it just reaches the line trimming blade.

EASYFEED™ does not feed more line.

- Keep the tabs depressed and remove the spool from the spool housing in the trimmer head.
- Ensure that the line is not crisscrossed on the spool as detailed in **Figure U**. If it is, unwind the cutting line, then wind it back on the spool neatly so that the lines do not cross.
- Inspect tracks at the bottom of spool for damage. If damaged, replace spool.
- Pull the cutting line until it protrudes approximately 4-13/16 inches (122mm) from the spool. If insufficient cutting line is left on the spool, install a new spool of cutting line.
- Align the tabs on the spool cap with the cut outs in the housing.
- Push the spool cap onto the housing until it snaps securely into place.
- If the cutting line protrudes beyond the trimming blade, cut it off so that it just reaches the blade. If the automatic line feed still does not work or the spool is jammed, try the following suggestions:
 - Carefully clean the spool and housing.
 - Make sure you are using correct line size and diameter (0.065 inch (1.65 mm)) - smaller and larger line sizes will affect the functionality of the auto feed system.
 - Remove the spool and check if the lever in the spool housing can move freely.
 - Remove the spool and unwind the cutting line, then wind it on neatly again. Replace the spool into the housing.

Overfeeding

- Ensure you are cutting with the tip of the line (7 inches (177.8mm) from the spool). Use the edge guide if needed to ensure proper space is maintained.
- Ensure you are not exceeding a 10° angle as shown in **Figure J1**.

Line unravels when cap or spool is removed.

- Make sure to park the lines in holding slots (**figure S**) before removing.

Imported by
Black & Decker (U.S.) Inc.,
701 E. Joppa Rd.
Towson, MD 21286 U.S.A.

