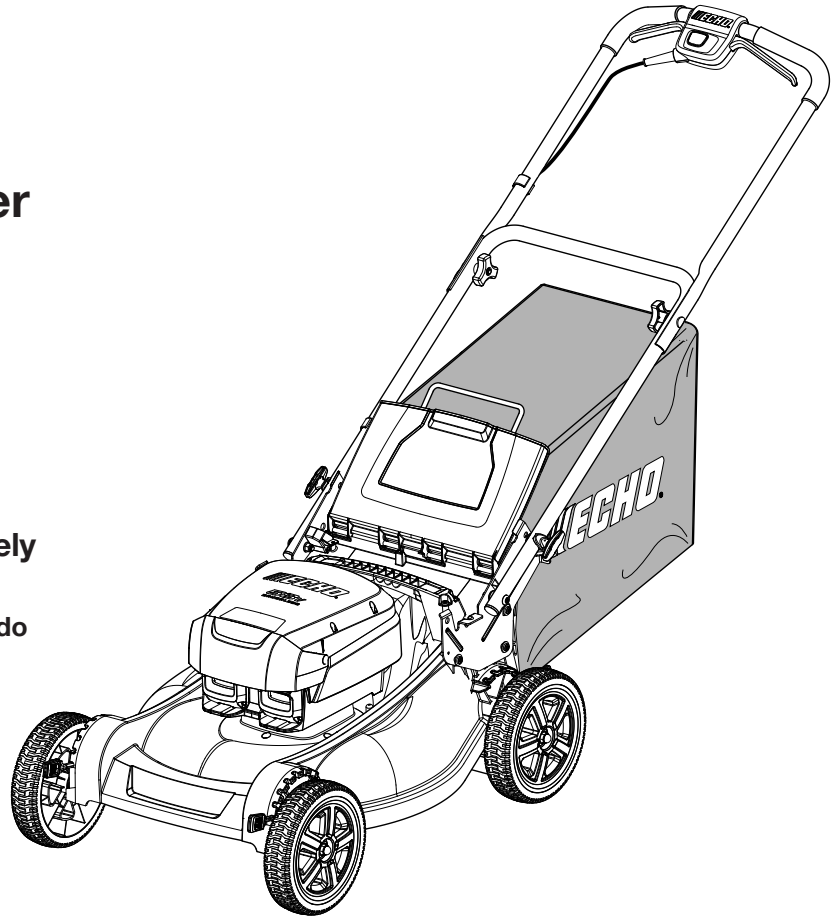


**Operator's Manual**  
**Manuel d'utilisation**  
**Manual del operador**



**58 Volt 21 in. Lawn Mower**  
**Tondeuse de 21 po, 58 V**  
**Podadora de 21 pulg., 58 V**  
**CLM-58V**

**Batteries and Chargers Sold Separately**  
**Piles et chargeur vendus séparément**  
**Baterías y el cargador se venden por separado**



Your lawn mower has been engineered and manufactured to our high standard for dependability, ease of operation, and operator safety. When properly cared for, it will give you years of rugged, trouble-free performance.

**⚠ WARNING** *To reduce the risk of injury, the user must read and understand the operator's manual before using this product.*

Thank you for your purchase.

**SAVE THIS MANUAL FOR FUTURE REFERENCE**

Ce tondeuse a été conçue et fabriquée conformément à nos strictes normes de fiabilité, simplicité d'emploi et sécurité d'utilisation. Correctement entretenue, elle vous donnera des années de fonctionnement robuste et sans problème.

**⚠ AVERTISSEMENT** *Pour réduire les risques de blessures, l'utilisateur doit lire et veiller à bien comprendre le manuel d'utilisation avant d'employer ce produit.*

Merci de votre achat.

**CONSERVER CE MANUEL  
POUR FUTURE RÉFÉRENCE**

Su podadora ha sido diseñada y fabricada de conformidad con las estrictas normas para brindar fiabilidad, facilidad de uso y seguridad para el operador. Con el debido cuidado, le brindará muchos años de sólido y eficiente funcionamiento.

**⚠ ADVERTENCIA** *Para reducir el riesgo de lesiones, el usuario debe leer y comprender el manual del operador antes de usar este producto.*

Le agradecemos su compra.

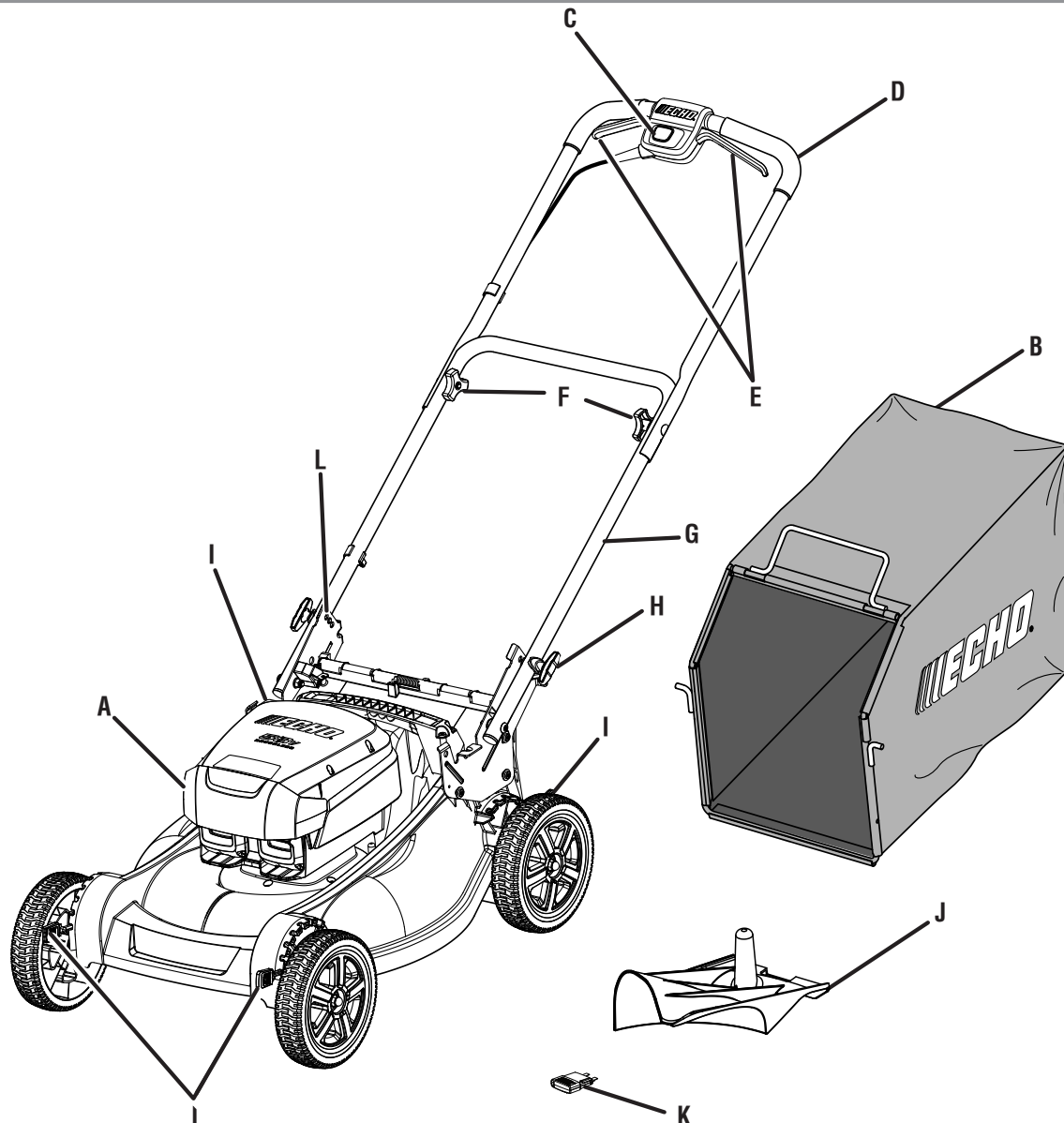
**GUARDE ESTE MANUAL  
PARA FUTURAS CONSULTAS**

# See this fold-out section for all of the figures referenced in the operator's manual.

Consulter l'encart à volets afin d'examiner toutes les figures mentionnées dans le manuel d'utilisation.

Consulte esta sección desplegable para ver todas las figuras a las que se hace referencia en el manual del operador.

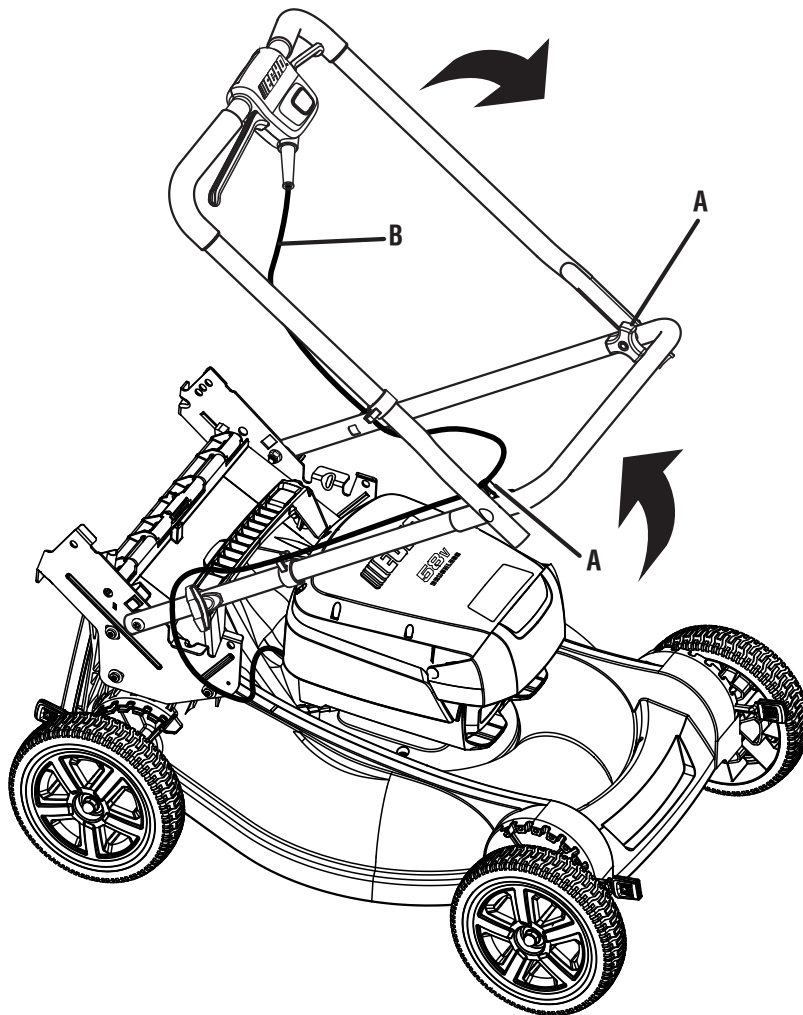
Fig. 1



- A - Battery cover (couverture des piles, tapa de las baterías)
- B - Grass bag (collecteur d'herbe, receptor de hierba)
- C - Start button (bouton « Start » [démarrer], botón de arranque)
- D - Upper handle (poignée supérieure, mango superior)
- E - Blade control lever (levier de commande de la lame, palanca de control de la hoja)
- F - Upper handle knob (bouton de la poignée supérieure, perilla del mango superior)

- G - Lower handle (poignée inférieure, mango inferior)
- H - Handle adjustment knobs (boutons de réglage de la poignée, perillas de ajuste del mango)
- I - Height adjustment levers (leviers de réglage de la hauteur, palancas de ajuste de altura)
- J - Mulching plug (insert broyeur, tapón para trituration)
- K - Start key (clé de démarrage, llave de arranque)
- L - Handle adjustment holes (poignée trous de réglage, maneje orificios de ajuste)

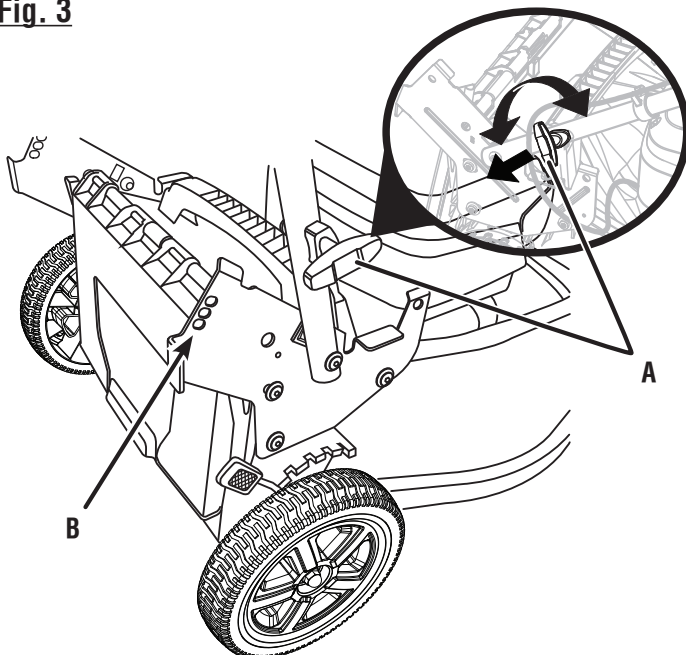
**Fig. 2**



A - Upper handle knob (bouton de la poignée supérieure, perilla del mango superior)

B - Starter cable (câble de démarreur, cable del arrancador)

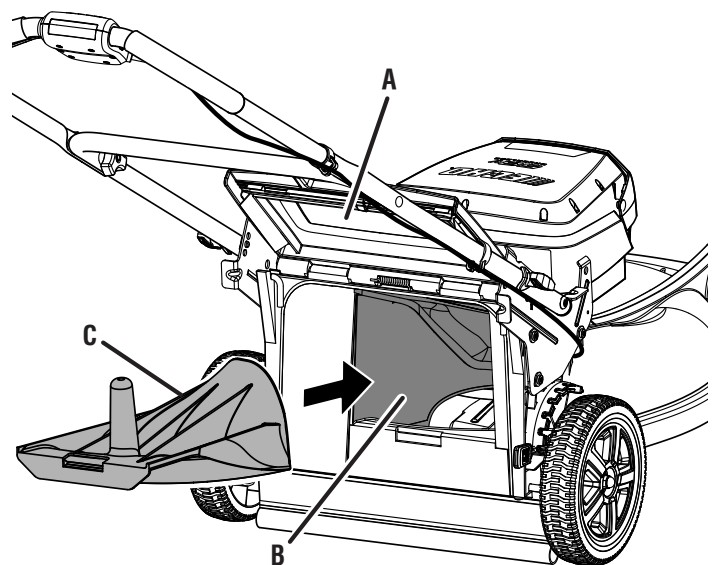
**Fig. 3**



A - Handle adjustment knob (bouton de réglage de la poignée, perilla de ajuste del mango)

B - Angle holes (trou d'inclinaison, orificios angulados)

**Fig. 4**

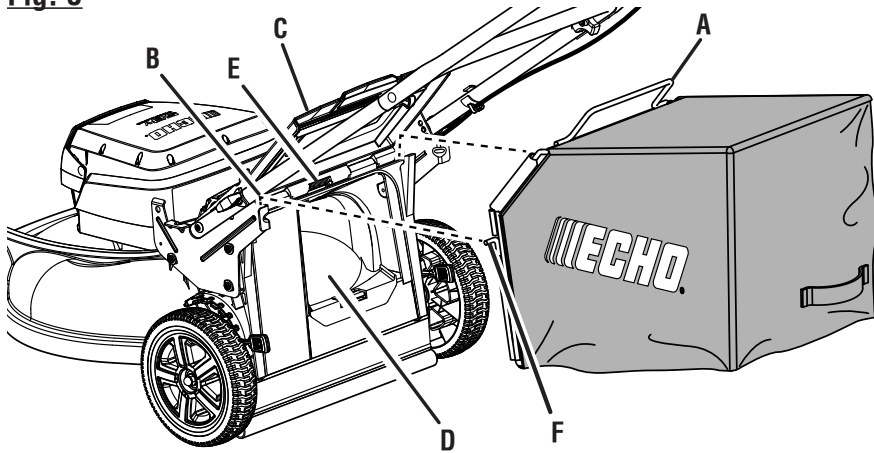


A - Rear discharge door (couverture d'éjection arrière, puerta de descarga posterior)

B - Rear discharge opening (ouverture d'éjection arrière, abertura de descarga posterior)

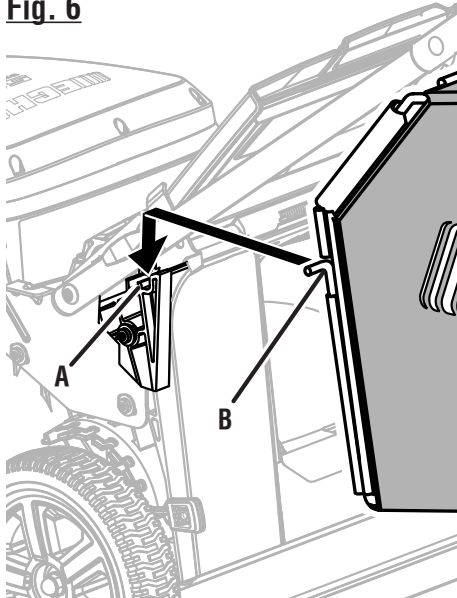
C - Mulching plug (insert broyeur, tapón para trituración)

**Fig. 5**



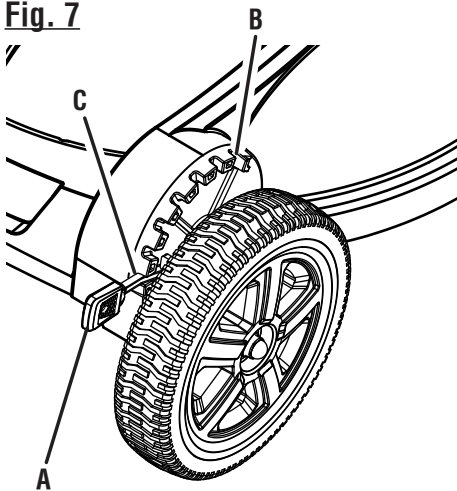
- A - Grass bag handle (poignée de collecteur d'herbe, mango del receptor de hierba)
- B - Slots (fentes, ranuras)
- C - Rear discharge door (couverture d'éjection arrière, puerta de descarga posterior)
- D - Rear discharge opening (ouverture d'éjection latérale, abertura de descarga lateral)
- E - Door rod (barre de couvercle, barra de la puerta)
- F - Hook (crochet, gancho)

**Fig. 6**



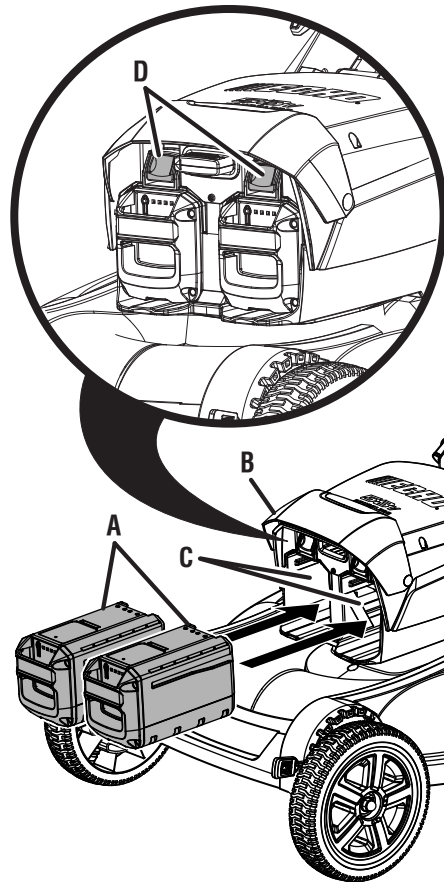
- A - Slots (fentes, ranuras)
- B - Hooks (crochets, ganchos)

**Fig. 7**



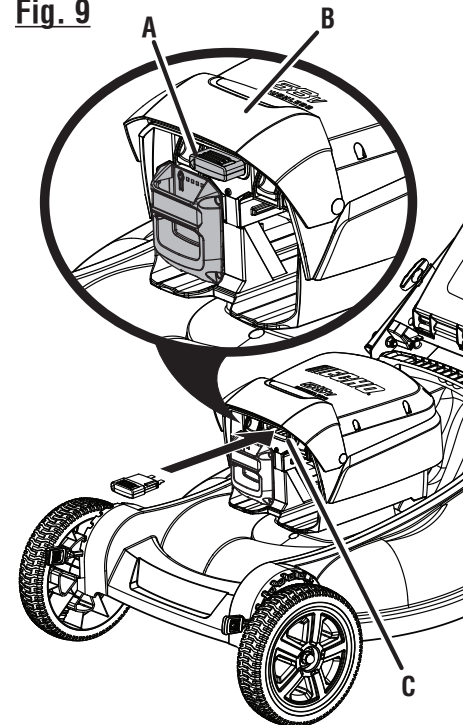
- A - Height adjustment lever (levier de réglage de la hauteur, palanca de ajuste de altura)
- B - Lowest blade setting (le plus bas réglage de la lame, ajuste más bajo de la hoja)
- C - Highest blade setting (le plus haut réglage de la lame, ajustes de cuchilla más alto)

**Fig. 8**



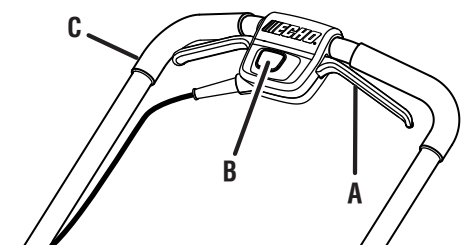
- A - Battery pack (bloc-piles, paquete de baterías)
- B - Battery cover (couverture des piles, tapa de las baterías)
- C - Battery port (compartiment de pile, compartimiento de la batería)
- D - Latch (loquet, pestillo)

**Fig. 9**



- A - Start key (clé de démarrage, llave de arranque)
- B - Battery cover (couverture des piles, tapa de las baterías)
- C - Start key slot (fente de la clé de démarrage, ranura de la llave de arranque)

**Fig. 10**



- A - Blade control lever (levier de commande de la lame, palanca de control de la hoja)
- B - Start button (bouton « Start » [démarrer], botón de arranque)
- C - Upper handle (poignée supérieure, mango superior)

Fig. 11

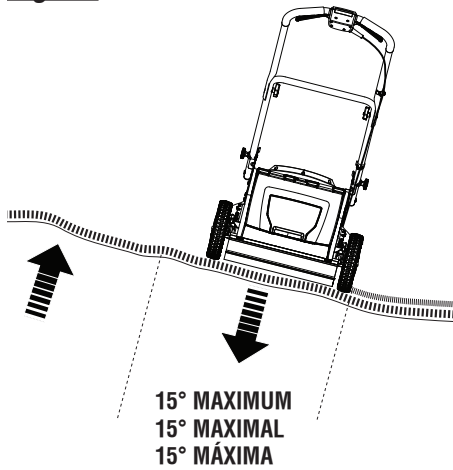
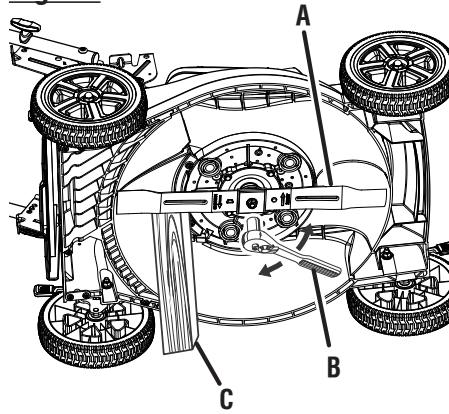


Fig. 12

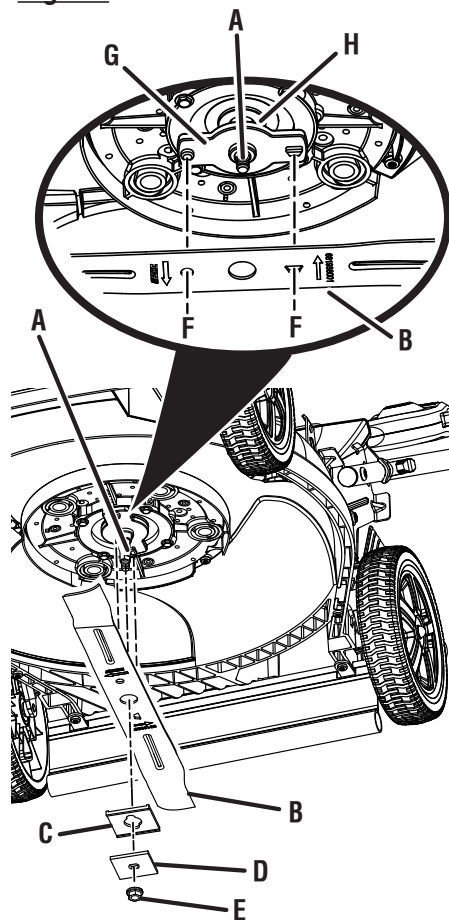


Fig. 13



- A - Blade (lame, hoja)
- B - Wrench (clé, llave)
- C - Block of wood (pièce de bois, bloque de madera)

Fig. 14



- A - Shaft (arbre, eje)
- B - Blade (lame, hoja)
- C - Blade insulator (isolant de lame, aislante de hoja)
- D - Spacer (entretoise, separador)
- E - Blade nut (écrou de lame, tuerca de la hoja)
- F - Blade posts (tiges pour lame, montantes de cuchilla)
- G - Blade holder (porte-lame, porta hojas)
- H - Motor shaft bushing (coussinet de l'arbre moteur, buje del eje impulsor)

Fig. 15

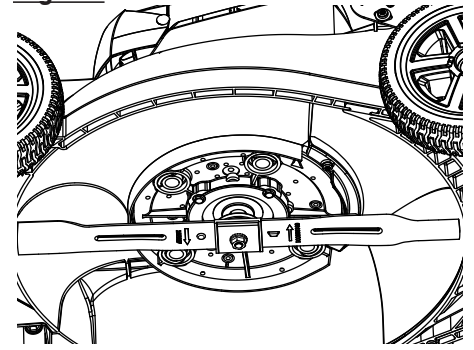


Fig. 16

**TO STORE THE MACHINE  
POUR REMISER L'ÉQUIPEMENT  
PARA GUARDAR LA MÁQUINA**

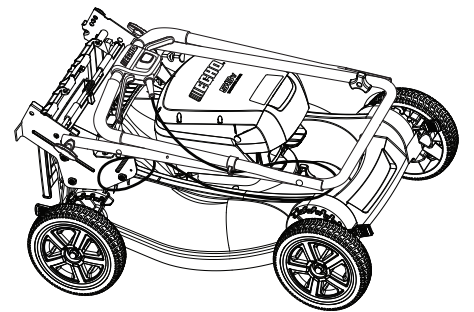
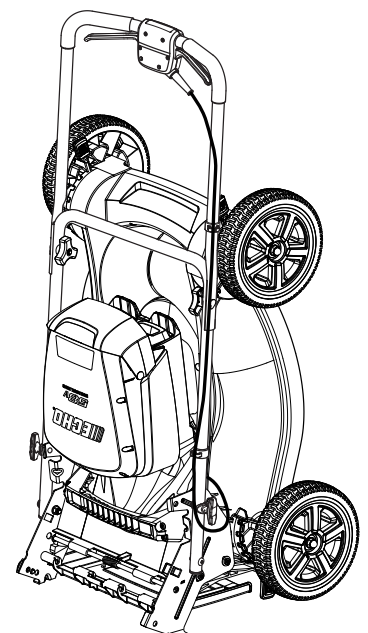


Fig. 17

**STORING THE MOWER  
IN THE VERTICAL POSITION  
RANGEMENT DU MOTEUR  
EN POSITION VERTICALE  
ALMACENAMIENTO DE LA PODADORA  
EN POSICIÓN VERTICAL**



# TABLE OF CONTENTS

## TABLE DES MATIÈRES / ÍNDICE DE CONTENIDO

---

■ Introduction .....	2
Introduction / Introducción	
■ Important Safety Instructions .....	3-4
Instructions importantes concernant la sécurité / Instrucciones de seguridad importantes	
■ Symbols.....	5-6
Symboles / Símbolos	
■ Features.....	6
Caractéristiques / Características	
■ Assembly.....	7-8
Assemblage / Armado	
■ Operation.....	8-9
Utilisation / Funcionamiento	
■ Maintenance.....	10-11
Entretien / Mantenimiento	
■ Troubleshooting.....	11
Dépannage / Corrección de problemas	
■ Accessories .....	11
Accessoires / Accesorios	
■ Warranty .....	12
Garantie / Garantía	
■ Parts Ordering and Service .....	Back Page
Commande de pièces et réparation / Pedidos de piezas y servicio .....	Page arrière / Pág. posterior

## INTRODUCTION

### INTRODUCCIÓN / INTRODUCCIÓN

---

This product has many features for making its use more pleasant and enjoyable. Safety, performance, and dependability have been given top priority in the design of this product making it easy to maintain and operate.

\* \* \*

Ce produit offre de nombreuses fonctions destinées à rendre son utilisation plus plaisante et satisfaisante. Lors de la conception de ce produit, l'accent a été mis sur la sécurité, les performances et la fiabilité, afin d'en faire un outil facile à utiliser et à entretenir.

\* \* \*

Este producto ofrece numerosas características para hacer más agradable y placentero su uso. En el diseño de este producto se ha conferido prioridad a la seguridad, el desempeño y la fiabilidad, por lo cual se facilita su manejo y mantenimiento.

# IMPORTANT SAFETY INSTRUCTIONS

## WARNING!

**READ AND UNDERSTAND ALL INSTRUCTIONS. Failure to follow all instructions listed below and on the machine may result in electric shock, fire, and/or serious personal injury.**

### Read All Instructions

- This cutting machine is capable of amputating hands and feet and throwing objects. Failure to observe all safety instructions could result in serious injury or death.
- Avoid dangerous environment — Do not use the lawn mower in damp or wet conditions or operate in the rain.
- Keep children away — Keep all bystanders, children, and pets at least 100 ft. away. Stop machine if anyone enters the area.
- Tragic accidents can occur if the operator is not alert to the presence of children. Children are often attracted to the machine and the mowing activity. Never assume that children will remain where you last saw them.
  - Keep children out of the mowing area and under the watchful care of a responsible adult other than the operator.
  - Be alert and turn mower off if a child enters the area.
  - Never allow children to operate the machine.
  - Use extra care when approaching blind corners, shrubs, trees, or other objects that may block your view of a child.
- Dress properly — Wear heavy, long pants, long sleeves, gloves, and protective footwear that will protect your feet and improve your footing on slippery surfaces. Do not wear loose fitting clothing, short pants, sandals, or go barefoot. Do not wear jewelry of any kind. They can be caught in moving parts.
- Don't overreach — Keep proper footing and balance at all times. Overreaching can result in loss of balance.
- Do not leave the mower unattended while running or with the start key installed.
- Keep hands and feet away from cutting area. Keep clear of the discharge opening at all times.
- Operate the lawn mower only in daylight or good artificial light.
- Use safety glasses — Always wear eye protection with side shields marked to comply with ANSI Z87.1. Use face mask if operation is dusty.
- Use the right appliance — Do not use the lawn mower for any job except that for which it is intended.
- Do not force the lawn mower — It will do the job better and safer at the rate for which it was designed.
- Do not charge lawn mower in rain, or in wet locations.
- Stay alert — Watch what you are doing and use common sense when operating the lawn mower. Do not operate the mower while tired, upset or under the influence of drugs, alcohol, or medication. A moment of inattention while operating the lawn mower may result in serious personal injury.
- Maintain lawn mower with care — Keep machine in good working condition. Keep handles dry, clean and free from oil and grease. Keep blades sharp and guards in place and in working order. Replace damaged or unevenly worn blades before using mower for best performance.
- Check all nuts, bolts, and screws at frequent intervals for proper tightness to be sure the equipment is in safe working condition. Mower blades are sharp. Wrap the blade or wear gloves, and use extra caution when servicing them.
- Do not dispose of the battery in a fire. The cell may explode. Check with local codes for possible special disposal instructions.
- Stop the motor, wait until the blade comes to a complete stop, and remove the start key and battery pack before cleaning the lawn mower, removing the grass bag, or removing the mulching plug.
- Replace blade if it is bent or cracked. An unbalanced blade causes vibration that could damage the motor drive unit or cause personal injury. Sharpen a dull blade equally at each end to maintain the balance. Clean the blade thoroughly and check its balance by supporting it horizontally on a thin nail through its center hole. The nail should be in a horizontal position. If either end of the blade rotates downward, remove some metal from the heavy or lower end until the blade is balanced. It is balanced when neither end drops.
- Always use safety protective devices. Do not operate the mower without the entire grass bag, mulching plug and rear discharge door in place and working properly.
- Do not open or mutilate the battery. Released electrolyte is corrosive and may cause damage to the eyes or skin. It may be toxic if swallowed.
- Follow manufacturer's instructions for proper operation and installation of accessories. Only use accessories approved by the manufacturer.
- Exercise care in handling batteries in order not to short the battery with conducting materials such as rings, bracelets, and keys. The battery or conductor may overheat and cause burns.
- Clear the work area before each use. Remove all objects such as rocks, sticks, metal, wire, bones, toys, or other objects which can be thrown by the blade. Stay behind the handle when the motor is running.
- Avoid holes, ruts, bumps, rocks, property stakes, or other hidden objects. Uneven terrain could cause a slip and fall accident.

# IMPORTANT SAFETY INSTRUCTIONS




---

- Do not mow near drop-offs, ditches, or embankments.
- Mow across the face of slopes, never up and down. Exercise extreme caution when changing direction on slopes.
- Plan your mowing pattern to avoid discharge of material toward roads, sidewalks, bystanders and the like. Also, avoid discharging material against a wall or obstruction, which may cause the material to ricochet back toward the operator.
- Do not mow on wet grass or excessively steep slopes. Poor footing could cause a slip and fall accident. Walk, never run.
- Use extra care when approaching blind corners, shrubs, trees, or other objects that may block your view.
- Do not pull the mower backward unless absolutely necessary. If you must back the mower away from a wall or obstruction, first look down and behind to avoid tripping or pulling the mower over your feet.
- Never direct discharged material toward anyone. Avoid discharging material against a wall or obstruction. Material may ricochet back toward the operator. Stop the blade when crossing gravel surfaces.
- Objects struck by the lawn mower blade can cause severe injuries to persons. The lawn should always be carefully examined and cleared of all objects prior to each mowing.
- If the lawn mower strikes a foreign object, follow these steps:
  - Stop the lawn mower by releasing the blade control lever, wait until the blade comes to a complete stop, and then remove start key and battery.
  - Thoroughly inspect the mower for any damage.
  - Replace the blade if it is damaged in any way. Repair any damage before restarting and continuing to operate the mower.
- Stop the motor, wait until the blade comes to a complete stop, and remove start key and battery before unclogging the chute. The cutting blade continues to rotate for a few seconds after the motor is shut off. Never place any part of the body in the blade area until you are sure the blade has stopped rotating.
- If the mower should start to vibrate abnormally, stop the motor and check immediately for the cause. Replace the blade if it is unevenly worn or damaged in any way. Vibration is generally a warning of trouble.
- Service on the product must be performed by qualified repair personnel only. Service or maintenance performed by unqualified personnel could result in injury to the user or damage to the product.
- The grass bag assembly is subject to deterioration and wear and should be checked each time the mower is used. If replacement is needed, make sure the new grass bag meets original manufacturer's recommendations and specifications.
- Use only authorized replacement parts when servicing the product. Use identical replacement blades only. Use of unauthorized parts may create a risk of serious injury to the user, or damage to the product.
- Maintain or replace safety instructions labels, as necessary.
- Disconnect battery — Disconnect battery pack from the appliance before storing, servicing, transporting, or changing accessories such as blades. Such preventive safety measures reduce the risk of starting the tool accidentally.
- Stop the unit and disconnect battery pack and start key when not in use. Carry or push the unit with the motor stopped and the start key and battery pack removed from the mower.
- Battery tools do not have to be plugged into an electrical outlet; therefore, they are always in operating condition. Be aware of possible hazards when not using your battery tool or when changing accessories. Following this rule will reduce the risk of electric shock, fire, or serious personal injury.
- Do not use battery-operated appliance in rain.
- Remove or disconnect battery before servicing, cleaning or removing material from the gardening appliance.
- For use with ECHO 58V lithium-ion battery packs. See Tool/Appliance/Battery Pack/Charger Correlation Supplement 991000233.
- Store idle lawn mower indoors — When not in use, mower should be stored indoors in a dry, locked place out of the reach of children. The start key should also be removed and stored in a separate location out of the reach of children.
- Follow instructions for lubricating and changing accessories.
- Only allow responsible adults, who are familiar with the instructions, to operate this machine.
- Never operate machine in a closed area.
- Never tamper with safety devices. Check for proper operation regularly.
- Save these instructions. Refer to them frequently and use them to instruct others who may use this product. If you loan someone this tool, loan them these instructions also.













# SYMBOLS

The following signal words and meanings are intended to explain the levels of risk associated with this product.


Symbol	Signal	Meaning
	<b>DANGER:</b>	Indicates an imminently hazardous situation, which, if not avoided, will result in death or serious injury.
	<b>WARNING:</b>	Indicates a potentially hazardous situation, which, if not avoided, could result in death or serious injury.
	<b>CAUTION:</b>	Indicates a potentially hazardous situation, which, if not avoided, may result in minor or moderate injury.
	<b>NOTICE:</b>	(Without Safety Alert Symbol) Indicates important information not related to an injury hazard, such as a situation that may result in property damage.

Some of the following symbols may be used on this product. Please study them and learn their meaning. Proper interpretation of these symbols will allow you to operate the product better and safer.

Symbol	Name	Designation/Explanation
	Safety Alert	Indicates a potential personal injury hazard.
	Read Operator's Manual	To reduce the risk of injury, user must read and understand operator's manual before using this product.
	Eye Protection	Always wear eye protection with side shields marked to comply with ANSI Z87.1.
	Wet Conditions Alert	Do not expose to rain or use in damp locations.
	Electric Shock	Failure to use in dry conditions and to observe safe practices can result in electric shock.
	Keep Hands and Feet Away	Keep hands and feet away from blade and cutting area.
	No Reach	Do not reach hands or feet under mower deck.
	No Slope	Do not operate on inclines greater than 15°. Mow across the face of slopes, never up and down.
	Keep Children and Bystanders Away	Keep all children and bystanders at least 100 ft. away.
	Ricochet	Thrown objects can ricochet and result in personal injury or property damage.

# SYMBOLS

Some of the following symbols may be used on this product. Please study them and learn their meaning. Proper interpretation of these symbols will allow you to operate the product better and safer.

Symbol	Name	Designation/Explanation
	Recycle Symbol	This product uses lithium-ion (Li-ion) batteries. Local, state, or federal laws may prohibit disposal of batteries in ordinary trash. Consult your local waste authority for information regarding available recycling and/or disposal options.
==	Direct Current	Type or a characteristic of current
$n_0$	No Load Speed	Rotational speed, at no load
.../min	Per Minute	Revolutions, strokes, surface speed, orbits etc., per minute
V	Volts	Voltage
Hz	Hertz	Frequency (cycles per second)
min	Minutes	Time

# FEATURES

## Product Specifications

Motor.....	58 Volt DC
Cutting Path .....	21 in.
Height Adjustments.....	3/4 in. to 4 in.
Wheel Size.....	9 in.

## Know Your Lawn Mower

See Figure 1.

The safe use of this product requires an understanding of the information on the product and in this operator's manual as well as a knowledge of the project you are attempting. Before use of this product, familiarize yourself with all operating features and safety rules.

### Battery Cover

The battery cover protects the battery port from moisture and debris.

### Brushless Motor

This product features a brushless motor that maximizes power and performance as well as battery run time.

### Dual Battery Ports

This product features dual battery ports to minimize down time during operation. To switch from one battery to the other, simply reverse the arrow direction on the selector key.

### Grass Bag

The grass bag collects grass clippings and prevents them from being discharged across your lawn as you mow.

### Height Adjustment Levers

Use the wheel height adjustment levers to adjust the cutting height.

### Mulching Plug

Your mower is equipped with a mulching plug that covers the rear discharge opening, which allows the mower blade to cut and recut for finer clippings.

### Start Button and Blade Control Lever

The start button and blade control lever, located on the upper handle, are used to start the mower.

### Start Key

The start key must be inserted before the mower can be started.

# ASSEMBLY

## Unpacking

This product requires assembly.

- Carefully remove the product and any accessories from the box. Make sure that all items listed in the packing list are included.

### WARNING

**Do not use this product if any parts on the Packing List are already assembled to your product when you unpack it. Parts on this list are not assembled to the product by the manufacturer and require customer installation. Use of a product that may have been improperly assembled could result in serious personal injury.**

- Inspect the product carefully to make sure no breakage or damage occurred during shipping.
- Do not discard the packing material until you have carefully inspected and satisfactorily operated the product.
- If any parts are damaged or missing, please call 1-877-396-3036 for assistance.

## Packing List

Lawn Mower  
Start Key  
Mulching Plug  
Grass Bag  
Safety Glasses  
Operator's Manual

### WARNING

**If any parts are damaged or missing do not operate this product until the parts are replaced. Use of this product with damaged or missing parts could result in serious personal injury.**

### WARNING

**Do not attempt to modify this product or create accessories not recommended for use with this product. Any such alteration or modification is misuse and could result in a hazardous condition leading to possible serious personal injury.**

### WARNING

**Do not insert start key or battery pack until assembly is complete and you are ready to mow. Failure to comply could result in accidental starting and possible serious personal injury.**

### WARNING

**To prevent accidental starting, do not make any adjustments or installations with the start key or battery pack inserted. Accidental starting of the mower during assembly could result in serious personal injury.**

### WARNING

**Never operate the mower without the proper safety devices in place and working. Never operate the mower with damaged safety devices. Operating the mower with missing or damaged parts can result in serious personal injury.**

## Unfolding and Adjusting Handle Assembly

See Figures 2 - 3.

- Fully loosen the upper handle knobs on both sides of the handle.
- Pull up and back on the upper handle to raise the handle into operating position.

### NOTICE

**Do not allow the starter cable to become pinched or trapped when raising the handles.**

- Tighten the handle knobs on both sides of the handle to secure.
- Pull the handle adjustment knobs out and rotate 90 degrees.
- Rotate the handle to the desired position.
- Rotate the knob 90 degrees again to secure handle in place.

**NOTE:** The handle must be in one of the three handle angle hole positions or the unit will not operate.

## Installing the Mulching Plug (For Mulching Operation)

See Figure 4.

**NOTE:** When using the mulching plug, do not install the grass bag.

- Remove start key and battery pack.
- Lift and hold the rear discharge door.
- Grasp the mulching plug by its handle and insert it at a slight angle, as shown.
- Push the mulching plug securely into place.
- Lower the rear discharge door.
- Reinstall start key and battery pack when you are ready to mow.

# ASSEMBLY

## Installing the Grass Bag (For Rear Bagging Operation)

See Figures 5 - 6.

**NOTE:** When using the grass bag, do not install the mulching plug.

- Remove start key and battery pack.
- Lift the rear discharge door.
- Lift the grass bag by its handle and place under the rear discharge door so that the hooks on the grass bag are seated onto the slots on the mower housing.
- Release the rear discharge door.
- Reinstall start key and battery pack when you are ready to mow.

## Setting Blade Height

See Figure 7.

When shipped, the wheels on the mower are set to a low-cutting position. Before using the mower for the first time, raise the cutting position to the height best suited for your lawn. The average lawn should be between 1-1/2 in. to 2 in. during cool months and between 2 in. and 3-1/4 in. during hot months.

### To adjust the blade height:

- Remove start key and battery pack.
- Adjust each wheel to achieve the desired blade height.  
**NOTE:** Moving the height adjustment levers toward the inside of the cutting deck lowers the blade height, and moving the levers toward the outside raises the blade height.
- Reinstall start key and battery pack when you are ready to mow.

# OPERATION

## WARNING

**Do not allow familiarity with products to make you careless. Remember that a careless fraction of a second is sufficient to inflict serious injury.**

## WARNING

**Always wear eye protection with side shields marked to comply with ANSI Z87.1. Failure to do so could result in objects being thrown into your eyes resulting in possible serious injury.**

## WARNING

**Always inspect mower for missing or damaged parts and blade for damage, uneven, or excessive wear prior to use. Use of the mower with damaged or missing parts can result in serious personal injury.**

This product will accept ECHO 58 V lithium-ion battery packs only.

For complete charging instructions, refer to the Operator's Manuals for your ECHO battery pack and charger models.

## Applications

You may use this product for the purpose listed below:

- Mowing your lawn

**NOTE:** This product features dual battery ports to help minimize down time during operation. The mower may be operated with one 58 V battery pack installed in either battery port, or you can install a battery in each port and simply reverse the direction of the arrow on the start key to switch to the second battery when the first battery's charge is depleted.

## WARNING

**Always remove battery pack and remove the start key from the tool when you are assembling parts, making adjustments, cleaning, or when not in use. This will prevent accidental starting that could cause serious personal injury.**

## Installing/Removing Battery Pack

See Figure 8.

### To install battery pack:

- Raise the battery cover.
- Align grooves on battery pack with raised ribs in the tool's battery port and place the battery pack in the tool.

## WARNING

**Make sure the latch on the tool snaps in place and the battery pack is fully seated and secure in the battery port before beginning operation. Failure to securely seat the battery pack could cause the battery pack to fall out, resulting in serious personal injury.**

- Lower the battery cover.

# OPERATION

## To remove battery pack:

- Raise the battery cover.
- Press the battery latch button on the tool and pull the battery pack out using the handle.
- Lower the battery cover.

### WARNING

**To avoid serious personal injury, always remove the battery pack and start key when moving or transporting the tool.**

## Starting/Stopping the Mower

See Figure 9 - 10.

### To start:

- Raise the battery cover.
- Install battery pack.
- Insert the start key into the slot beside the battery port. The arrow on the key should face the battery being used.
- Lower the battery cover.
- Press and hold the start button.
- While continuing to hold the start button, pull the blade control lever toward the handle. Once the motor starts, release the start button.
- To stop the mower, release the blade control lever.
- The handle must be in one of the three handle angle hole positions or the unit will not operate.

## Mowing Tips

- Make sure the lawn is clear of stones, sticks, wires, and other objects that could damage the lawn mower blades or motor. Do not mow over property stakes or other metal posts. Such objects could damage the blade or be accidentally thrown by the mower in any direction and cause serious personal injury to the operator and others.
- For a healthy lawn, always cut off one-third or less of the total length of the grass.
- When cutting heavy grass, reduce walking speed to allow for more effective cutting and a proper discharge of the clippings.
- Do not cut wet grass. It will stick to the underside of the deck and prevent proper bagging or mulching of grass clippings.

- New or thick grass may require a narrower cut or a higher cutting height.
- Clean the underside of the mower deck after each use to remove grass clippings, leaves, dirt, and any other accumulated debris.

**NOTE:** Always stop mower, allow blades to completely stop, remove the start key and disconnect the battery pack before cleaning underneath the mower.

## Slope Operation

See Figure 11.

### WARNING

**Slopes are a major factor related to slip and fall accidents that can result in severe injury. Operation on slopes requires extra caution. If you feel uneasy on a slope, do not mow it. For your safety, do not attempt to mow slopes greater than 15 degrees.**

- Mow across the face of slopes, not up and down. Exercise extreme caution when changing direction on slopes.
- Watch for holes, ruts, rocks, hidden objects, or bumps which can cause you to slip or trip. Tall grass can hide obstacles. Remove all objects such as rocks, tree limbs, etc., which could be tripped over or thrown by the blade.
- Always be sure of your footing. A slip and fall can cause serious personal injury. If you feel you are losing your balance, release the upper blade control lever immediately.
- Do not mow near drop-offs, ditches, or embankments; you could lose your footing or balance.

## Emptying the Grass Bag

See Figure 12.

- Stop the mower and allow blades to completely stop.
- Open battery cover.
- Remove start key and battery pack.
- Lift the rear discharge door.
- Lift the grass bag by its handle to remove from mower.
- Empty grass clippings.
- Lift the rear discharge door and reinstall the grass bag as described earlier in this manual.
- Reinstall start key and battery pack when you are ready to mow.

# MAINTENANCE

## WARNING

*When servicing, use only identical replacement parts. Use of any other parts can create a hazard or cause product damage.*

## WARNING

*Always wear eye protection with side shields marked to comply with ANSI Z87.1. Failure to do so could result in objects being thrown into your eyes resulting in possible serious injury.*

## WARNING

*Before performing any maintenance, make sure the mower battery and start key are removed to avoid accidental starting and possible serious personal injury.*

### General Maintenance

Avoid using solvents when cleaning plastic parts. Most plastics are susceptible to damage from various types of commercial solvents and may be damaged by their use. Use clean cloths to remove dirt, dust, oil, grease, etc.

## WARNING

*Do not at any time let brake fluids, gasoline, petroleum-based products, penetrating oils, etc., come in contact with plastic parts. Chemicals can damage, weaken or destroy plastic which can result in serious personal injury.*

Periodically check all nuts and bolts for proper tightness to ensure safe operation of the mower.

Remove any build-up of grass and leaves on or around the motor cover. Wipe the mower clean with a dry cloth occasionally. Do not use water.

### Lubrication

All of the bearings in this product are lubricated with a sufficient amount of high grade lubricant for the life of the unit under normal operating conditions. Therefore, no further bearing lubrication is required.

## WARNING

*Always protect hands by wearing heavy gloves and/or wrapping the cutting edges of the blade with rags and other material when performing blade maintenance. Contact with the blade could result in serious personal injury.*

### Replacing the Cutting Blade

See Figures 13 - 15.

**NOTE:** Only use authorized replacement blades.

- Stop the motor and remove the start key. Allow blade to come to a complete stop.
  - Remove the battery pack.
  - Turn the mower on its side.
  - Wedge a block of wood between the blade and mower deck to prevent the blade from turning.
  - Loosen the blade nut by turning it counterclockwise (as viewed from bottom of mower) using a 15 mm wrench or socket (not provided).
  - Remove the blade nut, spacer, blade insulator, and blade.
  - Make certain the blade holder and motor shaft bushing are pushed completely against the motor shaft.
  - Place the new blade on the blade holder. Ensure blade is properly seated with shaft going through center blade hole and the two blade posts inserted into their respective holes on the blade. Make sure it is installed with the curved ends pointing up toward the mower deck and not down toward the ground. When seated properly, the blade and blade holder should be flat against the motor shaft bushing.
  - Replace the blade insulator and spacer, then thread the blade nut on the shaft and finger tighten.
- NOTE:** Make certain all parts are replaced in the exact order in which they were removed.
- Torque the blade nut down clockwise using a torque wrench (not provided) to ensure the bolt is properly tightened. The recommended torque for the blade nut is 350-400 in. lbs.

# MAINTENANCE

## Storing the Mower

See Figures 16 - 17.

- Remove the battery and start key and store in a secure location out of the reach of children.
- Before storage, wipe any dirt or debris from the battery area.
- Turn mower on its side and clean grass clippings that have accumulated on the underside of the mower deck.
- Wipe the mower clean with a dry cloth.
- Check all nuts, bolts, knobs, screws, fasteners, etc., for tightness.
- Inspect moving parts for damage, breakage, and wear. Have repairs made on any damaged or missing parts. Check blade for damage, uneven, or excessive wear and replace blade if these conditions exist.
- Store mower indoors in a clean, dry place out of the reach of children.
  - To store the mower in a horizontal position, lower the handle assembly as described earlier in this manual. Avoid pinching or trapping any cables.
  - To store the mower in a vertical position, remove the grass bag, then lower the handle assembly as shown in figure 17. The upper handle can be stored either raised (as shown in figure 17) or lowered (as shown in figure 16) when storing in the vertical position.
 

**NOTE:** Make sure the pins on the handle adjustment knobs are fully seated in the locking holes before attempting to raise the mower to the standing position.
- Do not store near corrosive materials such as fertilizer or rock salt.

# TROUBLESHOOTING

Problem	Possible Cause	Solution
Motor fails to start when switch trigger is depressed	Battery is not secure.	To secure the battery pack, make sure the battery is fully seated and the latch on the tool is snapped into place.
	Battery is not charged.	Charge the battery pack according to the instructions included with your model.
	Start key is missing or is pointed toward the wrong battery port.	Install start key and make sure the arrow on the key is pointed toward the battery port where a charged battery pack is located.
	Handle is not in correct position.	Adjust to one of the three handle angle positions on the mower.
Motor stops while blade control lever is depressed.	Motor is overloaded.	Release blade control lever, wait several seconds, then depress blade control lever again. Motor should restart. If it doesn't, remove battery pack, reinstall battery pack, then try again.
Loss of power.	Grass too tall or wet.	Raise the cutting height, cut a narrower swath, use a slower ground speed, or cut more frequently when the grass is dry. See <b>Mowing Tips</b> in the <i>OPERATION</i> section of this manual.

# ACCESSORIES

To order these accessories, call 1-877-396-3036.

- Side Discharge .....ALSD-58V
- 21" Lawnmower Blade Accessory .....ALB-58V

## ⚠ WARNING

**Current attachments and accessories available for use with this product are listed above. Do not use any attachments or accessories not recommended by the manufacturer of this product. The use of attachments or accessories not recommended can result in serious personal injury.**

# WARRANTY

## Limited Warranty Statement

OWT Industries, Inc., warrants to the original retail purchaser that this ECHO brand 58 V outdoor product is free from defect in material and workmanship and agrees to repair or replace, at OWT Industries, Inc.'s, discretion, any defective product free of charge within these time periods from the date of purchase.

- Five years if the product is used for personal, family or household use;
- Two years on products used for commercial use;
- Ninety days for all products used for rental use.

This warranty extends to the original retail purchaser only and commences on the date of the original retail purchase.

Any part of this product found in the reasonable judgment of OWT Industries, Inc. to be defective in material or workmanship will be repaired or replaced without charge for parts and labor by an authorized service center for ECHO brand 58 V outdoor products.

The product, including any defective part, must be returned to an authorized service center for ECHO brand 58 V outdoor products within the warranty period. The expense of delivering the product to the service center for warranty work and the expense of returning it back to the owner after repair or replacement will be paid by the owner. OWT Industries, Inc.'s, responsibility in respect to claims is limited to making the required repairs or replacements and no claim of breach of warranty shall be cause for cancellation or rescission of the contract of sale of any ECHO brand 58 V outdoor product. Proof of purchase will be required by the dealer to substantiate any warranty claim. All warranty work must be performed by an authorized service center for ECHO brand 58 V outdoor products.

This warranty does not cover any product that has been subject to misuse, neglect, negligence, or accident, or that has been operated in any way contrary to the operating instructions as specified in this operator's manual. This warranty does not apply to any damage to the product that is the result of improper maintenance or to any product that has been altered or modified. The warranty does not extend to repairs made necessary by normal wear or by the use of parts or accessories which are either incompatible with the ECHO brand 58 V outdoor product or adversely affect its operation, performance, or durability. In addition, this warranty does not cover:

Wear items – Bump Knobs, Outer Spools, Cutting Lines, Inner Reels, Drive Belts, Tines, Felt Washers, Hitch Pins, Mulching Blades, Blower Fans, Blower and Vacuum Tubes, Vacuum Bag and Straps, Guide Bars, Saw Chains

OWT Industries, Inc., reserves the right to change or improve the design of this product without assuming any obligation to modify any product previously manufactured.

ALL IMPLIED WARRANTIES ARE LIMITED IN DURATION TO THE STATED WARRANTY PERIOD. ACCORDINGLY, ANY SUCH IMPLIED WARRANTIES INCLUDING MERCHANTABILITY, FITNESS FOR A PARTICULAR PURPOSE, OR OTHERWISE, ARE DISCLAIMED IN THEIR ENTIRETY AFTER THE EXPIRATION OF THE APPROPRIATE FIVE-YEAR, TWO-YEAR OR 90 DAY WARRANTY PERIOD. OWT INDUSTRIES, INC.'S, OBLIGATION UNDER THIS WARRANTY IS STRICTLY AND EXCLUSIVELY LIMITED TO THE REPAIR OR REPLACEMENT OF DEFECTIVE PARTS AND OWT INDUSTRIES, INC., DOES NOT ASSUME OR AUTHORIZE ANYONE TO ASSUME FOR THEM ANY OTHER OBLIGATION. SOME STATES DO NOT ALLOW LIMITATIONS ON HOW LONG AN IMPLIED WARRANTY LASTS, SO THE ABOVE LIMITATION MAY NOT APPLY TO YOU. OWT INDUSTRIES, INC., ASSUMES NO RESPONSIBILITY FOR INCIDENTAL, CONSEQUENTIAL, OR OTHER DAMAGES INCLUDING, BUT NOT LIMITED TO, EXPENSE OF RETURNING THE PRODUCT TO AN AUTHORIZED SERVICE CENTER FOR ECHO BRAND 58 V OUTDOOR PRODUCTS AND EXPENSE OF DELIVERING IT BACK TO THE OWNER, MECHANIC'S TRAVEL TIME, TELEPHONE OR TELEGRAM CHARGES, RENTAL OF A LIKE PRODUCT DURING THE TIME WARRANTY SERVICE IS BEING PERFORMED, TRAVEL, LOSS OR DAMAGE TO PERSONAL PROPERTY, LOSS OF REVENUE, LOSS OF USE OF THE PRODUCT, LOSS OF TIME, OR INCONVENIENCE. SOME STATES DO NOT ALLOW THE EXCLUSION OR LIMITATION OF INCIDENTAL OR CONSEQUENTIAL DAMAGES, SO THE ABOVE LIMITATION OR EXCLUSION MAY NOT APPLY TO YOU.

This warranty gives you specific legal rights, and you may also have other rights which vary from state to state.

This warranty applies to all ECHO brand 58 V outdoor products manufactured by or for OWT Industries, Inc., and sold in the United States and Canada.

To locate your nearest authorized service center for ECHO brand 58 V outdoor products, dial 1-877-396-3036.



# INSTRUCTIONS IMPORTANTES CONCERNANT LA SÉCURITÉ

## AVERTISSEMENT !

**LISEZ ET VEILLEZ À COMPRENDRE TOUTES LES INSTRUCTIONS.** Le non respect des instructions énumérées ci-dessous et sur la machine pourrait résulter en un choc électrique, un incendie, et/ou des blessures sérieuses.

### Lisez toutes les instructions




- Cet outil coupant est capable d'amputer des mains et des pieds et projeter des objets. Le non respect de toutes les instructions de sécurité pourrait résulter en des blessures graves ou la mort.
- Éviter les environnements dangereux — N'utilisez pas la tondeuse dans un environnement mouillé ou humide et ne l'utilisez pas durant la pluie.
- Garder les enfants à l'écart — Garder les badauds, enfants et animaux domestiques à une distance minimum de 30,5 m (100 pi). Arrêter la machine si quelqu'un entre dans la zone.
- Des accidents tragiques peuvent survenir si l'opérateur n'est pas conscient de la présence des enfants. Les enfants sont souvent attirés par la machine et l'activité de tondaison. Ne prenez jamais pour acquis que les enfants resteront à l'endroit où vous les avez vus la dernière fois.
  - Assurez-vous que les enfants soient éloignés de la zone de coupe et qu'ils soient supervisés par un adulte autre que l'opérateur.
  - Soyez vigilant et éteignez la tondeuse si un enfant s'approche.
  - Ne permettez jamais à des enfants d'utiliser la machine.
  - Redoublez la prudence quand vous vous approchez des coins, des arbustes, des arbres ou d'autres objets qui peuvent masquer la présence d'un enfant.
- Porter une tenue appropriée — Porter des pantalons longs, manches longues, des gants épais et des souliers de protection qui protégeront vos pieds et amélioreront votre équilibre sur des surfaces glissantes. Ne pas porter de vêtements amples, bijoux, shorts, sandales et ne pas travailler pieds nus. Ne porter aucun bijou. Ils peuvent être pris dans les parties en mouvement.
- Ne pas travailler hors de portée — Toujours se tenir bien campé et en équilibre. Le travail hors de portée risque de faire perdre l'équilibre.
- Ne laissez pas la tondeuse sans surveillance quand elle est allumée ou une fois la clé de démarrage fixée.
- Éloignez les mains et les pieds de la zone de coupe. Tenez vous éloigné de l'ouverture de décharge en tout temps.
- Utilisez la tondeuse seulement à la lumière du jour ou avec une bonne lumière artificielle.
- Porter des lunettes de sécurité — Toujours porter une protection oculaire munie d'écrans latéraux certifiée conforme à la norme ANSI Z87.1. Utilisez une masque faciale si l'utilisation produit de la poussière.
- Utilisez l'outil approprié — N'utilisez pas la tondeuse pour aucune tâche sauf celle pour laquelle elle est conçue.
- Ne forcez pas la tondeuse — Elle exécutera le travail mieux et de façon plus sécuritaire à la vitesse pour laquelle elle fut conçue.
- Ne pas charger l'outil sous la pluie ou dans un endroit mouillé.
- Restez vigilant — Regardez ce que vous faites et utilisez votre meilleur jugement lorsque vous utilisez la tondeuse. N'utilisez pas la tondeuse si vous êtes fatigué, contrarié ou sous influence de drogues, d'alcool ou de médicaments. Un moment d'inattention pendant l'utilisation de la tondeuse peut résulter en une blessure grave.
- Faire l'entretien de la tondeuse avec soins — Gardez l'outil en bon état. Garder les poignées sèches, propres et libres de dépôt d'huile ou de graisse. Assurez-vous que les lames soient affûtées et que les dispositifs de protections soient en place et en état de fonctionnement. Remplacer les lames endommagées ou usées de façon inégale avant d'utiliser la tondeuse d'obtenir un rendement optimal.
- Vérifiez fréquemment si tous les écrous, boulons et vis sont serrés pour s'assurer que l'équipement est sécuritaire. Les lames de tondeuse sont tranchantes. Envelopper la lame ou porter des gants et prendre beaucoup de précautions lors de l'entretien.
- Ne pas jeter la pile au feu. La cellule peut exploser. Vérifier les codes locaux pour connaître toute instruction spéciale relative à l'élimination des piles.
- Arrêter le moteur, attendre que la lame s'arrête complètement et retirer la clé de démarrage et bloc-piles avant de nettoyer la tondeuse, d'enlever le collecteur d'herbe ou retrait du capuchon du broyeur.
- Remplacer la lame si elle est pliée ou fissurée. Une lame déséquilibrée provoque des vibrations qui peuvent endommager le moteur de l'appareil et provoquer des blessures. Affûter également les extrémités de la lame émoussée afin de maintenir l'équilibre. Nettoyer complètement la lame et vérifier son équilibre en la déposant à l'horizontale et en plaçant l'orifice du centre sur un petit clou. Le clou doit être placé à l'horizontale. Si l'une des extrémités de la lame tourne vers le bas, enlever un peu de métal de la partie épaisse inférieure de la lame jusqu'à ce que celle-ci soit équilibrée. Une lame équilibrée lorsqu'aucune extrémité n'est inclinée.
- Toujours, utiliser des dispositifs de protection. N'utilisez pas la tondeuse sans le collecteur d'herbe, le capuchon du broyeur et porte arrière de décharge en place et fonctionne correctement.
- Ne pas ouvrir ou altérer le bloc-piles. L'électrolyte est un produit corrosif pouvant causer des lésions cutanées ou oculaires. Il peut être toxique en cas d'ingestion.
- Suivez les instructions du fabricant relatives à l'installation et l'utilisation des accessoires. Utilisez seulement des accessoires approuvés par le fabricant.
- Manipuler les batteries avec soin pour éviter des courts-circuits avec des objets conducteurs comme des anneaux, des bracelets et des clés. La batterie ou l'objet conducteur peuvent surchauffer et causer des brûlures.
- Nettoyez la zone de travail avant chaque utilisation. Enlevez tous les objets tels que les roches, les branches, métal, les fils, les os, les jouets et d'autres objets qui peuvent être projetés par la lame. Restez en arrière de la poignée quand le moteur est en marche.

# INSTRUCTIONS IMPORTANTES CONCERNANT LA SÉCURITÉ











- Évitez les trous, les ornières, les roches, bornes de propriété ou d'autres objets cachés. Un terrain accidenté pourrait provoquer un glissement et vous faire tomber par accident.
- Ne tondez pas près des dépressions, fossés ou des berges.
- Tondez les pentes dans le sens transversal, jamais en montant ou en descendant. Soyez particulièrement prudent lors des changements de direction sur les terrains en pente.
- Planifiez le parcours de la tondeuse pour éviter d'éjecter les matériaux sur les routes, les trottoirs, les passants, etc. Évitez également d'éjecter les matériaux sur un mur ou une obstruction ce qui pourrait causer un matériau d'être projeté par ricochet en direction de l'opérateur.
- Ne tondez pas l'herbe mouillée ou sur des pentes excessivement raides. Une mauvaise position peut vous faire glisser et tomber par accident. Marchez, ne courez jamais.
- Redoublez la prudence si vous vous approchez des coins, des arbustes, des arbres ou d'autres objets qui vous cachent la vue.
- Ne tirez jamais la tondeuse vers l'arrière à moins que cela soit absolument nécessaire. Si vous devez tirer la tondeuse pour éviter un mur ou une obstruction, commencez par regarder en bas et en arrière pour ne pas trébucher o tirando la podadora hacia los pies.
- N'éjectez jamais du matériel en direction de quelqu'un. Évitez d'éjecter le matériel sur un mur ou une obstruction. Le matériel pourrait être projeté par ricochet en direction de l'opérateur. Arrêtez la lame quand vous traversez des surfaces recouvertes de gravier.
- Des objets frappés par la lame de la tondeuse peuvent causer des sérieuses blessures. La pelouse devrait toujours être examinée attentivement et nettoyée de tout objet avant la tondaison.
- Si la tondeuse frappe un objet étranger, suivez ces étapes:
  - Arrêter la tondeuse en relâchant l'levier de commande de la lame, attendre que la lame s'arrête complètement, puis retirer la clé de démarrage et les bloc-pile.
  - Inspectez attentivement la tondeuse pour desceller les dommages.
  - Remplacer la lame si elle est endommagée de quelque façon que ce soit. Réparez tout dommage avant de démarrer et de continuer à utiliser la tondeuse.
- Arrêter le moteur, attendre que la lame s'arrête complètement et retirer la clé de démarrage et les bloc-pile avant de déboucher la goulotte. La lame continue de tourner pendant quelques secondes après que le moteur soit arrêté. Ne mettez jamais aucune partie du corps dans la proximité de la lame avant d'être certain que la lame a cessé de tourner.
- Si la tondeuse commence à vibrer de façon anormale, arrêtez le moteur et vérifiez immédiatement la cause. Remplacer la lame si elle est usée de façon inégale ou endommagée de quelque façon que ce soit. La vibration est généralement un signe d'un problème.
- Le produit doit être réparé par un personnel qualifié seulement. Des réparations ou l'entretien effectués par un personnel non qualifié pourrait résulter en des blessures pour l'utilisateur ou endommager le produit.
- L'assemblage du collecteur d'herbe peut se détériorer et s'user et doit être vérifié chaque fois avant d'utiliser la tondeuse à gazon. S'il doit être remplacé, s'assurer que le nouveau collecteur d'herbe répond aux exigences et aux spécifications du fabricant d'origine.
- Lors de réparation du produit, utilisez pièces de remplacement autorisées. Utiliser uniquement des lames de rechange identiques. L'utilisation des pièces non autorisées peut créer un risque d'une blessure sérieuse à l'utilisateur ou endommager le produit.
- Conserver ou remplacer les étiquettes d'instructions de sécurité, si nécessaire.
- Déconnecter le bloc-piles — Débrancher l'appareil de la source d'alimentation avant d'entreposer, d'effectuer l'entretien, transport, ou de changer les accessoires comme la lame. Ces mesures de sécurité réduisent les risques de démarrage accidentel de l'outil.
- Arrêter l'produit et retirer le bloc de piles et clé de démarrage lorsqu'il n'est pas utilisé. Attendre ou mettre l'arrêt complet du moteur et la clé de démarrage et le bloc-piles retirés de la tondeuse avant de déplacer l'produit.
- Les outils fonctionnant piles n'ayant pas besoin d'être branchés sur une prise secteur, ils sont toujours en état de fonctionnement. Tenir compte des dangers possibles lorsque l'outil n'est pas en usage et lors du remplacement des piles. Le respect de cette règle réduira les risques d'incendie, de choc électrique et de blessures graves.
- Ne pas utiliser un appareil alimenté par pile sous la pluie.
- Retirer ou débrancher la pile avant l'entretien ou le nettoyage de l'outil de jardin ou avant d'en retirer des matériaux.
- Pour utiliser l'appareil avec des piles au lithium-ion de 58 V de marque ECHO, consulter le supplément de raccordement pour chargeur/outils/piles/appareil n° 991000233.
- Ranger les appareils qui ne sont pas utilisés à l'intérieur — lorsque la tondeuse n'est pas utilisé, le ranger à l'intérieur dans un endroit sec et verrouillé hors de la portée des enfants. Retirer la clé de démarrage et la ranger dans un endroit situé hors de la portée des enfants.
- Suivre les instructions de lubrification et de changement d'accessoires.
- Faire fonctionner cet appareil ne doit être permis qu'aux adultes responsables et familiers avec les instructions.
- Ne jamais faire fonctionner l'appareil dans un endroit clos.
- Ne jamais modifier les dispositifs de sécurité. Vérifier périodiquement l'état de fonctionnement.
- Conserver ces instructions. Les consulter fréquemment et les utiliser pour instruire les autres utilisateurs éventuels. Si cet outil est prêté, il doit être accompagné de ces instructions.

# SYMBOLES

Les termes de mise en garde suivants et leur signification ont pour but d'expliquer le degré de risques associé à l'utilisation de ce produit.


Symbole	Signal	Signification
	<b>DANGER :</b>	Indique une situation extrêmement dangereuse qui, si elle n'est pas évitée, aura pour conséquences des blessures graves ou mortelles.
	<b>AVERTISSEMENT :</b>	Indique une situation potentiellement dangereuse qui, si elle n'est pas évitée, pourrait entraîner des blessures graves ou mortelles.
	<b>ATTENTION :</b>	Indique une situation potentiellement dangereuse qui, si elle n'est pas évitée, pourrait entraîner des blessures légères ou de gravité modérée.
	<b>AVIS :</b>	(Sans symbole d'alerte de sécurité) Indique une information importante ne concernant pas un risque de blessure comme une situation pouvant occasionner des dommages matériels.

Certains des symboles ci-dessous peuvent être utilisés sur produit. Veiller à les étudier et à apprendre leur signification. Une interprétation correcte de ces symboles permettra d'utiliser produit plus efficacement et de réduire les risques.

Symbole	Nom	Désignation / Explication
	Symbole d'alerte de sécurité	Indique un risque de blessure potentiel.
	Lire manuel d'utilisation	Pour réduire les risques de blessures, l'utilisateur doit lire et veiller à bien comprendre le manuel d'utilisation avant d'utiliser ce produit.
	Protection oculaire	Toujours porter une protection oculaire avec écrans latéraux certifiée conforme à la norme ANSI Z87.1.
	Avertissement concernant l'humidité	Ne pas exposer à la pluie ou l'humidité.
	Choc électrique	Ne pas utiliser la machine dans un endroit sec ou ne pas respecter les pratiques de sécurité peut entraîner un choc électrique.
	Garder les mains et les pieds à l'écart	Garder les mains et les pieds à l'écart de la lame et de la zone de coupe.
	Se tenir loin	Ne pas mettre ses mains ou ses pieds en dessous du châssis de la tondeuse.
	Éviter les pentes	Ne pas utiliser sur des pentes de plus de 15°. Tondre les pentes dans le sens transversal, jamais en montant ou en descendant.
	Tenir les enfants et les curieux à bonne distance	Tenir les enfants et les curieux à une distance de 30,5 m (100 pi) au moins.
	Ricochet	Les objets projetés peuvent ricocher et infliger des blessures ou causer des dommages matériels.

# SYMBOLES

Certains des symboles ci-dessous peuvent être utilisés sur produit. Veiller à les étudier et à apprendre leur signification. Une interprétation correcte de ces symboles permettra d'utiliser produit plus efficacement et de réduire les risques.

Symbole	Nom	Désignation / Explication
	Symboles de recyclage	Ce produit utilise les piles de lithium-ion (Li-ion). Les réglementations locales ou gouvernementales peuvent interdire de jeter les piles dans les ordures ménagères. Consulter les autorités locales compétentes pour les options de recyclage et/ou l'élimination.
==	Courant continu	Type ou caractéristique du courant
$n_0$	Vitesse à vide	Vitesse de rotation à vide
.../min	Par minute	Tours, coups, vitesse périphérique, orbites, etc., par minute
V	Volts	Tension
Hz	Hertz	Fréquence (cycles par seconde)
min	Minutes	Temps

## CARACTÉRISTIQUES

### Caractéristiques du produit

Moteur .....	58 Volt DC
Chemin de coupe .....	533,4 mm (21 po)
Réglages de la hauteur.....	19,1 mm à 101,6 mm (3/4 po à 4 po)
Grandeur des roues.....	228,6 mm (9 po)

### Apprenez à connaître votre tondeuse

Voir la figure 1.

L'utilisation sécuritaire de ce produit nécessite une compréhension de l'information sur le produit et dans le manuel de l'utilisation ainsi que la connaissance du projet à effectuer. Avant d'utiliser ce produit, familiarisez-vous avec toutes les fonctions d'utilisation et les règles de sécurité.

### Couvercle des piles

Le couvercle de pile protège le logement de piles contre les débris.

### Moteur sans balai

Ce produit est équipé d'un moteur sans balai afin de livrer une puissance et une performance optimales et maximiser la durée de vie de la pile.

### Deux ports de pile

Ce produit est équipé de deux ports de pile afin de minimiser le temps d'inactivité pendant l'utilisation. Pour passer d'une pile à l'autre, inverser simplement la direction de la flèche du bouton sélecteur.

### Collecteur d'herbe

Le collecteur d'herbe recueille les brins d'herbe et empêche qu'ils soient éparpillés sur le gazon au moment de la tonte.

### Leviers de réglage de hauteur

Utiliser les leviers de réglage de hauteur de roue pour ajuster la hauteur de coupe.

### Insert broyeur

La tondeuse est équipée d'un insert broyeur qui recouvre l'ouverture de décharge arrière, et qui permet de couper et de recouper l'herbe pour produire des brins plus fins.

### Bouton de démarrage et levier de commande de la lame

Le bouton de démarrage et le levier de commande de la lame, situés au haut de la poignée, sont utilisés pour démarrer la tondeuse.

### Clé de démarrage

Vous devez insérer la clé de démarrage avant que la tondeuse puisse démarrer.

# ASSEMBLAGE

## Déballage

Ce produit nécessite un assemblage.

- Avec précaution, sortir l'produit et les accessoires de la boîte. S'assurer que toutes les pièces figurant sur la liste de contrôle sont incluses.

### AVERTISSEMENT

**Ne pas utiliser le produit si, en le déballant, vous constatez que des éléments figurant dans la Liste de contrôle d'expédition sont déjà assemblés. Certaines pièces figurant sur cette liste n'ont pas été assemblées par le fabricant et exigent une installation. Le fait d'utiliser un produit qui a été assemblé de façon inadéquate peut entraîner des blessures.**

- Examiner soigneusement l'produit pour s'assurer que rien n'a été brisé ou endommagé en cours de transport.
- Ne pas jeter les matériaux d'emballage avant d'avoir soigneusement examiné l'produit et avoir vérifié qu'il fonctionne correctement.
- Si des pièces manquent ou sont endommagées, appeler le 1-877-396-3036.

## Liste de contrôle d'expédition

Tondeuse

Clé de démarrage

Insert broyeur

Collecteur d'herbe

Lunettes de sécurité

Manuel d'utilisation

### AVERTISSEMENT

**Si des pièces manquent ou sont endommagées, ne pas utiliser cet produit avant qu'elles aient été remplacées. Le non-respect de cet avertissement pourrait entraîner des blessures graves.**

### AVERTISSEMENT

**N'essayez pas de modifier cet outil ou de créer des accessoires non recommandés pour utilisation avec ce produit. Toute transformation ou modification de ce genre est un cas de mauvais usage qui peut créer des risques de blessures graves.**

### AVERTISSEMENT

**Ne insérer la clé de démarrage ou le bloc-piles compléter l'assemblage vous êtes prêt à tonte. Le non respect de cet avertissement pourrait résulter en un démarrage accidentel et des blessures corporelles graves.**

### AVERTISSEMENT

**Pour empêcher commencer accidentel, ne pas faire d'ajustement ou des installations avec la clé de démarrage ou le bloc-piles insérée. Le démarrage accidentel de la tondeuse pendant l'assemblage peut entraîner des blessures graves.**

### AVERTISSEMENT

**N'utilisez jamais la tondeuse sans les dispositifs de sécurité appropriés en place et en état de marche. N'utilisez jamais la tondeuse si les dispositifs de sécurité sont endommagés. Le fait d'utiliser la tondeuse si des pièces sont manquantes ou endommagées peut entraîner des blessures graves.**

## Dévoilement et ajustement ensemble de poignée

Voir les figures 2 et 3.

- Complètement desserrer le bouton des deux côtés de la poignée supérieure.
- Pousser les boutons de réglage de la poignée vers l'extérieur et les tourner sur 90 degrés.
- Tirez la poignée supérieure vers le haut et en arrière pour mettre la poignée en position d'utilisation.

### AVIS

**Éviter de coincer ou d'emprisonner le câble du démarreur lors du soulevant des poignées.**

- Serrez les boutons de poignée de deux côté de la poignée.
- Pousser les boutons de réglage de la poignée vers l'extérieur et les tourner sur 90 degrés.
- Faire tourner la poignée vers la position désirée.
- Tourner à nouveau le bouton sur 90 degrés pour immobiliser la poignée en place.

**NOTE :** La poignée doit être insérée dans l'un des trois trous de réglage de position sinon l'appareil ne fonctionnera pas.

## Installation de l'insert broyeur (pour le déchiquetage)

Voir la figure 4.

**NOTE :** Lorsque vous utilisez le dispositif de paillage n'installez pas le dispositif de paillage

- Retirer la clé de démarrage et bloc-piles.
- Soulever le couvercle de la décharge arrière et le maintenir en place.
- Saisir le déflecteur pour déchiquetage par sa poignée et l'insérer à un angle faible, tel qu'illustré.
- Pousser solidement le déflecteur pour déchiquetage en place.
- Relâchez le couvercle de la décharge arrière.

# ASSEMBLAGE

- Réinstaller la clé de démarrage et le bloc-piles dès le moment de la tonte.

## Installation du collecteur d'herbe (pour arrière utilisation d'ensachage)

Voir les figures 5 et 6.

**NOTE :** En utilisant le collecteur d'herbe, ne pas installer le l'insert broyeur.

- Retirer la clé de démarrage et bloc-piles.
- Levez le couvercle d'éjection arrière.
- Levez le collecteur d'herbe par sa poignée et mettez-le couvercle d'éjection arrière de façon à ce que les crochets sur le collecteur d'herbe s'appuient sur la boîte du tondeuse.
- Relâchez le couvercle d'éjection arrière.
- Réinstaller la clé de démarrage et le bloc-piles dès le moment de la tonte.

# UTILISATION

## AVERTISSEMENT

**Ne laissez pas la familiarité tirée d'une utilisation fréquente de ce type de produit atténuer votre vigilance. Souvenez-vous qu'une fraction de seconde d'inattention suffit à infliger des blessures graves.**

## AVERTISSEMENT

**Toujours porter une protection oculaire munie d'écrans latéraux certifiée conforme à la norme ANSI Z87.1. Si cette précaution n'est pas prise, des objets peuvent être projetés dans les yeux et causer des lésions graves..**

## AVERTISSEMENT

**Inspecter le produit afin de s'assurer qu'aucune pièce et la lame est endommagée ou si elle est usée de façon inégale ou excessive. Le fait d'utiliser la tondeuse si des pièces sont manquantes ou endommagées peut entraîner des blessures graves.**

Ce produit est compatible avec les piles 58 V au lithium-ion de ECHO seulement.

Pour prendre connaissance de l'ensemble des instructions relatives à la charge, consulter les manuels d'utilisation des batteries de ECHO et des modèles de chargeur connexes.

## Applications

Vous pouvez utiliser cet outil pour les tâches énumérées ci-dessous:

- Tondaison de votre pelouse

## Réglage de la hauteur de la lame

Voir la figure 7.

Pour l'expédition, les roues de la tondeuse sont réglées à la position de coupe au ras de sol. Avant d'utiliser la tondeuse pour la première fois, réglez la position de coupe à la hauteur la mieux adaptée à votre pelouse. Une pelouse moyenne devrait avoir de 38,10 mm à 50,80 mm (1-1/2 po à 2 po) pendant les mois de temps froid et entre 50,80 et 82,55 mm (2 po à 3-1/4 po) pendant les mois de temps chaud.

### Pour régler la hauteur de la lame :

- Retirer la clé de démarrage et bloc-piles.
- Ajuster chaque roue afin d'obtenir la hauteur de lame désirée.  
**NOTE :** Le déplacement des leviers de réglage de hauteur vers l'intérieur du plateau de coupe abaisse la hauteur de la lame alors que le déplacement des leviers vers l'extérieur élève la hauteur de la lame.
- Réinstaller la clé de démarrage et le bloc-piles dès le moment de la tonte.

**NOTE :** Ce produit est équipé de deux ports de pile afin de minimiser le temps d'inactivité pendant l'utilisation. La tondeuse peut être utilisée avec un bloc-piles de 58V installé sur l'un des deux ports de pile ou en installant une pile sur chaque port et inverser simplement la direction de la flèche du bouton sélecteur pour passer à la deuxième pile lorsque la première est épuisée.

## AVERTISSEMENT

**Toujours retirer la bloc-pile et retirer le clé de démarrage de l'outil au moment d'assembler des pièces, d'effectuer des réglages et de procéder au nettoyage, ou lorsque l'outil n'est pas utilisé. Cela permet d'empêcher un démarrage accidentel pouvant entraîner des blessures graves.**

## Installation / retrait du bloc-piles

Voir la figure 8.

### Installer le bloc-piles :

- Ouvrir le couvercle des piles.
- Aligner la rainure du bloc-piles sur la nervure en saillie du logement d'outil et placer la pile dans l'outil.

## AVERTISSEMENT

**S'assurer que le loquet de l'outil s'enclenche et que le bloc-piles est installé et fixé correctement au l'outil avant de commencer le travail. Ne pas installer et fixer correctement le bloc-piles peut provoquer la chute de ce dernier et occasionner des blessures graves.**

- Fermeture la couvercle des piles.

# UTILISATION

## Retirer le bloc-piles :

- Ouvrir la couvercle des piles.
- Appuyer sur le taquet de la pile situé sur l'outil et pousser le bloc-piles vers l'extérieur en utilisant la poignée.
- Fermeture la couvercle des piles.

## AVERTISSEMENT

**Toujours, retirer le bloc-piles et la clé de démarrage lorsque du déplacement ou transporte cet outil pour éviter les blessures graves.**

## Démarrage / arrêt de la tondeuse

Voir la figure 9 et 10.

- Ouvrir la couvercle des piles.
- Installer le bloc-piles.
- Insérer la clé de démarrage dans la fente située à côté du port de pile. La flèche sur la clé doit faire face à la pile à utiliser.
- Fermeture la couvercle des piles.
- Appuyer sur le bouton « Start » (Démarrer).
- Tout en maintenant le bouton de démarrage enfoncé, tirer le levier de commande de la lame vers la poignée. Relâcher le bouton de démarrage dès que le moteur est démarré.
- Pour arrêter la tondeuse, relâcher le levier de commande de la lame.
- La poignée doit être insérée dans l'un des trois trous de réglage de position sinon l'appareil ne fonctionnera pas.

## Conseils de tondaison

- Assurez-vous que la pelouse est libre des pierres, des branches, des fils et d'autres objets qui pourraient endommager le moteur ou les lames de la tondeuse. Ne pas faire passer la tondeuse par-dessus les bornes de propriété ou autres poteaux en métal. De tels objets pourraient endommager la lame ou être accidentellement projetés par la tondeuse dans toutes directions et causer des blessures graves à l'opérateur ou aux autres.
- Pour une pelouse en santé, coupez toujours un-tiers ou moins de la longueur totale de l'herbe.
- Quand vous coupez de l'herbe épaisse, marchez plus lentement pour permettre à l'outil à couper plus efficacement et à éjecter les brins de façon appropriée.
- Ne coupez pas de l'herbe humide. Elle collera au-dessous du châssis et empêche l'ensachage ou le déchetage appropriés des brins d'herbe.
- De l'herbe nouvelle ou épaisse peut nécessiter une coupe plus étroite or augmentez la hauteur de coupe.
- Nettoyez le dessous du châssis après chaque utilisation pour enlever les brins d'herbes, les feuilles, la saleté et tout autre débris accumulé.

**NOTE :** Toujours arrêter la tondeuse, permettre aux lames de s'arrêter complètement, retirer la clé de démarrage, et retirer le bloc-piles avant de nettoyer le dessous de la tondeuse.

## Utilisation sur les pentes

Voir la figure 11.

## AVERTISSEMENT

**Les pentes sont un facteur majeur relié aux glissements et des chutes accidentelles qui peuvent résulter en des blessures graves. L'utilisation de la tondeuse sur les pentes nécessite des précautions spéciales. Si vous n'êtes pas confortable sur une pente, ne la tondez pas. Pour votre sécurité, n'essayez pas de tondre des pentes de plus de 15 degrés.**

- Tondez les pentes dans le sens transversal, jamais en montant ou en descendant. Soyez particulièrement prudent lors des changements de direction sur les terrains en pente.
- Faites attention aux trous, ornières, roches, objets cachés ou bosses qui peuvent provoquer un glissement ou une chute. De l'herbe haute peut cacher des obstacles. Enlevez tous les objets tels que les roches, les racines, etc. qui peuvent être projetés par la lame ou qui pourraient provoquer une chute.
- Soyez toujours sûr de votre position. Un glissement ou une chute peuvent causer une blessure grave. Si vous sentez que vous perdez l'équilibre, relâchez immédiatement la levier de commande de la lame supérieure.
- Ne tondez pas près des dépressions, des fossés ou des berges; vous pourriez perdre l'équilibre.

## Vider le collecteur d'herbe

Voir la figure 12.

- Arrêter la tondeuse, laisser les lames s'arrêter complètement.
- Ouvrez le logement de piles.
- Retirer la clé de démarrage et bloc-piles.
- Soulever le couvercle d'éjection arrière.
- Soulever le collecteur d'herbe par sa poignée afin de le retirer de la tondeuse.
- Jetez les brins d'herbe.
- Soulever le couvercle arrière et réinstaller le collecteur d'herbe, comme décrit précédemment dans le présent manuel.
- Réinstaller la clé de démarrage et le bloc-piles dès le moment de la tonte.

# ENTRETIEN

## AVERTISSEMENT

Utiliser exclusivement des pièces d'origine pour les réparations. L'usage de toute autre pièce pourrait créer une situation dangereuse ou endommager l'produit.

## AVERTISSEMENT

Toujours porter une protection oculaire munie d'écrans latéraux certifiée conforme à la norme ANSI Z87.1. Si cette précaution n'est pas prise, des objets peuvent être projetés dans les yeux et causer des lésions graves.

## AVERTISSEMENT

Lors de réparation du produit, s'assurer que la pile et la clé de démarrage de la tondeuse ont été retirées afin d'éviter un démarrage accidentel et des blessures graves.

## Entretien général

Éviter d'utiliser des solvants pour le nettoyage des pièces en plastique. La plupart des matières plastiques peuvent être endommagées par divers types de solvants du commerce. Utiliser un chiffon propre pour éliminer la saleté, la poussière, l'huile, la graisse, etc.

## AVERTISSEMENT

Ne jamais laisser de liquides tels que le fluide de freins, l'essence, les produits à base de pétrole, les huiles pénétrantes, etc., entrer en contact avec les pièces en plastique. Les produits chimiques peuvent endommager, affaiblir ou détruire le plastique, ce qui peut entraîner des blessures graves.

Vérifiez périodiquement si les écrous et les boulons sont serrés pour s'assurer de fonctionnement sécuritaire de la tondeuse.

Enlevez toute accumulation d'herbe ou des feuilles sur ou autour du couvercle du moteur. Essuyez la tondeuse avec un chiffon sec à l'occasion. N'utilisez pas de l'eau.

## Lubrification

Tous les roulements de cet outil sont lubrifiés à l'aide d'une quantité suffisante de lubrifiant de haute qualité pour toute la durée de l'outil dans des conditions normales d'utilisation. Alors, aucune lubrification ultérieure n'est nécessaire.

## AVERTISSEMENT

Protégez toujours vos mains en portant des gants épais ou en enveloppant les bords tranchants de la lame avec des chiffons ou d'autre matériau quand vous effectuez l'entretien de la lame. Contact avec la lame résulter en des blessures graves.

## Remplacement de la lame

Voir les figures 13 à 15.

**NOTE** : Utiliser seulement des pièces de remplacement lames.

- Arrêtez le moteur et coupez l'alimentation électrique et retirez la clé de démarrage. Attendez que la lame s'immobilise complètement.
  - Retirer le bloc-piles.
  - Tournez la tondeuse de côté.
  - Mettez une pièce de bois entre la lame et le châssis de la tondeuse pour empêcher la lame de tourner.
  - Desserrez l'écrou de la lame en le tournant dans le sens antihoraire (par rapport au bas de la tondeuse) en utilisant une clé de 15 mm ou une douille (non fournies).
  - Enlevez l'écrou de lame, l'écarteur, l'isolant de lame et la lame.
  - S'assurer que le porte-lame et le coussinet de l'arbre moteur sont complètement enfoncés contre l'arbre moteur.
  - Installer une lame neuve sur le porte-lame. S'assurer que la lame est correctement assise et que l'arbre passe au centre du trou de la lame et que les deux montants de la lame sont insérés dans leurs trous respectifs de la lame. S'assurer que les extrémités courbées de la lame pointent vers l'extérieur du plateau de la tondeuse et non vers le sol. Lorsqu'assis correctement, la lame et le porte-lame doivent se retrouver à plat contre le coussinet de l'arbre moteur.
  - Remettez l'isolant de lame et l'écarteur, vissez l'écrou de lame sur l'arbre et serrez à main.
- NOTE** : Assurez-vous que toutes les pièces soient replacées dans l'ordre exact dans lequel elles ont été enlevées.
- Serrez l'écrou de lame sens horaire en utilisant une clé dynamométrique (non fournie) pour s'assurer que l'écrou et bien serré. Le couple de serrage recommandé pour l'écrou de lame est de 350-400 po lbs.



# ENTRETIEN

## Entreposage de la tondeuse

Voir les figures 16 et 17.

- Retirez la pile et la clé de démarrage et emmagasiner dans un emplacement assuré de la portée d'enfants.
  - Avant de ranger le produit, essuyer toute saleté ou tout débris se trouvant dans l'environnement de la pile.
  - Tournez la tondeuse sur un côté et nettoyez les brins d'herbe accumulés en dessous du châssis de la tondeuse.
  - Essuyez la tondeuse avec un chiffon sec.
  - Vérifiez si les écrous, les boulons, les boutons, les vis, les attaches, etc sont serrés.
  - Vérifiez si les pièces détachables ne sont pas endommagées, brisées ou usées. Faites réparer toutes les pièces manquantes ou endommagées. Vérifier si la lame est endommagée ou si elle est usée de façon inégale ou excessive, et la remplacer le cas échéant.
- Entreposez la tondeuse à l'intérieur dans un endroit propre et sec, loin de la portée des enfants.
  - Pour ranger la tondeuse à l'horizontale, abaisser l'ensemble de poignée, tel que décrit précédemment dans ce manuel. Éviter de pincer ou d'attraper les câbles.
  - Pour ranger la tondeuse à la verticale, retirer le sac à herbe puis abaisser l'assemblage de poignée comme illustré à la figure 17. La poignée supérieure peut être rangée, soit déployée (comme illustré à la figure 17) ou abaissée (comme illustré à la figure 16) pour un rangement à la verticale.  
**NOTE :** S'assurer que les tiges des boutons de réglage de la poignée sont complètement insérées dans les trous de verrouillage avant de tenter de relever la tondeuse en position debout.
- N'entreposez pas près des matériaux corrosifs tels que les engrais ou le sel gemme.

## DÉPANNAGE

Problème	Cause possible	Solution
Le moteur ne démarre pas quand change la gâchette.	Le bloc-piles n'est pas fixée.	Pour installer fermement le bloc-piles, s'assurer que la pile est complètement assise et que le taquet de l'outil s'enclenche correctement.
	Le bloc-piles n'est pas chargée.	Charger la pile conformément aux instructions fournis avec ce modèle.
	La clé de démarrage n'est pas insérée ou pointe vers le mauvais port de pile.	Insérer la clé de démarrage et s'assurer que la flèche du sélecteur pointe vers le port de pile sur lequel est installé le bloc-piles.
	La poignée n'est pas insérée à la bonne position.	Insérez la poignée dans l'une des trois positions de réglage sur la tondeuse.
Le moteur s'arrête lorsque la gâchette de l'interrupteur est enfoncée.	Le moteur est surchargé.	Relâcher la gâchette, attendre plusieurs secondes puis appuyer à nouveau sur la gâchette. Le moteur devrait redémarrer. Si le moteur ne redémarre pas, retirer le bloc-piles, réinstaller le bloc-piles et essayer à nouveau.
Perte de puissance.	La pelouse est trop longue ou trop humide.	Élever la hauteur de coupe, couper une bande plus étroite, ralentir la vitesse de passe ou couper plus fréquemment lorsque la pelouse est sèche. Consulter le chapitre Conseils de tonte dans la section FONCTIONNEMENT de ce manuel.

## ACCESSOIRES

Pour obtenir ces accessoires, appeler le 1-877-396-3036.

- Décharge latérale .....ALSD-58V
- Lame de rechange pour tondeuse à gazon de 533,4 mm (21 po) .....ALB-58V

### AVERTISSEMENT

**Les outils et accessoires disponibles actuellement pour cet outil sont listés ci-dessus. Ne pas utiliser d'outils ou accessoires non recommandés pour cet outil. L'utilisation de pièces et accessoires non recommandés peut entraîner des blessures graves.**

# GARANTIE

## Énoncé de la garantie limitée

OWT Industries, Inc., garantit à l'acheteur original que ce produit d'extérieur de 58 V de marque ECHO est exempt de tous vices de matériaux ou de fabrication et s'engage à réparer ou remplacer gratuitement, à son choix, tout produit s'avérant défectueux au cours des périodes indiquées ci-dessous, à compter de la date d'achat.

- Cinq ans sur les produits utilisés par des particuliers ;
- Deux ans sur les produits utilisés pour les travaux commerciaux ;
- Quatre-vingt dix jours sur les produits utilisés à toutes pour la location.

Cette garantie n'est offerte qu'à l'acheteur original et entre en vigueur à la date de l'achat original.

Toutes les pièces de ce produit qui, selon un jugement raisonnable de OWT Industries, Inc, s'avèrent être un défaut de fabrication ou de main-d'oeuvre sera réparé ou remplacé sans frais pour les pièces et la main-d'oeuvre par un centre de réparations autorisé pour les produits d'extérieur de 58 V de marque ECHO.

Le produit, y compris toutes les pièces défectueuses devront être retournés à un centre de réparations autorisé pour les produits d'extérieur de 58 V de marque ECHO, avant expiration de la période de garantie. Les frais d'expédition au centre de réparations pour les produits d'extérieur de 58 V de marque ECHO pour les travaux sous garantie et de retour au propriétaire du produit seront assumés par le propriétaire. En ce qui concerne les réclamations en garantie, la responsabilité OWT Industries, Inc., se limitera à la réparation ou au remplacement des produits défectueux et aucune revendication de rupture de garantie ne pourra causer l'annulation ou la résiliation du contrat de vente d'un produit d'extérieur de 58 V de marque ECHO quel qu'il soit. Une preuve d'achat sera exigée par le centre de réparation, afin de valider toute réclamation au titre de la garantie. Toutes les réparations sous garantie devront être effectuées par un centre de réparations autorisé pour les produits d'extérieur de 58 V de marque ECHO.

Cette garantie ne couvre pas les produits ayant fait l'objet d'un usage abusif ou négligent, d'un manque d'entretien, ayant été impliqués dans un accident ou employé de façon contraire aux instructions du manuel d'utilisation. Cette garantie ne couvre ni les dommages aux produits résultant d'un manque d'entretien, ni les produits qui ont été altérés ou modifiés. La garantie exclut les réparations rendues nécessaires par l'usure normale ou l'utilisation de pièces et accessoires incompatibles avec le produits d'extérieur de 58 V de marque ECHO ou nuisibles à son bon fonctionnement, ses performances ou sa durabilité. En outre, cette garanti exclut :

Les articles consommables – Boutons d'avance par choc,

bobines externes, lignes de coupe, bobines internes, courroies d'entraînement, dents, rondelles en feutre, axes d'attelage, lames de paillage, ventilateur de soufflante, tubes de soufflage et d'aspiration, sacs à débris, guides, chaînes de scie

OWT Industries, Inc. se réserve le droit de modifier ou d'améliorer la conception de ce produit et n'assume aucune obligation de modification pour les produits fabriqués antérieurement.

LA DURÉE DE TOUTES LES GARANTIES IMPLICITES NE SAURAIT EN AUCUN CAS EXCÉDER LA PÉRIODE DE GARANTIE DÉCLARÉE. PAR CONSÉQUENT, TOUTES LES GARANTIES IMPLICITES, Y COMPRIS LES GARANTIES DE VALEUR MARCHANDE OU D'ADÉQUATION À UN USAGE PARTICULIER OU AUTRES SERONT INVALIDÉES À L'EXPIRATION DE LA PÉRIODE DE GARANTIE APPROPRIÉE DE CINQ ANS, DEUX ANS OU QUATRE-VINGT DIX JOURS. LES OBLIGATIONS DE OWT INDUSTRIES, INC., DANS LE CADRE DE CETTE GARANTIE SE LIMITENT EXCLUSIVEMENT À LA RÉPARATION OU AU REMPLACEMENT DES PIÈCES DÉFECTUEUSES ET OWT INDUSTRIES, INC. N'ASSUME OU N'AUTORISE QUICONQUE À ASSUMER QUELQUE AUTRE OBLIGATION QUE CE SOIT. CERTAINS ÉTATS ET PROVINCES NE PERMETTANT PAS DE LIMITATION DE DURÉE DES GARANTIES IMPLICITES, LES RESTRICTIONS CI-DESSOUS PEUVENT NE PAS ÊTRE APPLICABLES. OWT INDUSTRIES, INC., DÉCLINE TOUTE RESPONSABILITÉ EN CE QUI CONCERNE LES DOMMAGES DIRECTS, INDIRECTS OU AUTRES, Y COMPRIS, MAIS SANS S'Y LIMITER, LES FRAIS DE RETOUR DE PRODUITS À UN CENTRE DE RÉPARATIONS AUTORISÉ POUR LES PRODUITS D'EXTÉRIEUR DE 58 V DE MARQUE ECHO ET DE RENVOI AU PROPRIÉTAIRE, DE DÉPLACEMENT D'UN TECHNICIEN, DE TÉLÉPHONE OU TÉLÉGRAMME, DE LOCATION D'UN PRODUIT SIMILAIRE PENDANT LA DURÉE DES RÉPARATIONS SOUS GARANTIE, DE DÉPLACEMENT, DE PERTES OU DOMMAGES À DES BIENS PERSONNELS, DE MANQUE À GAGNER, DE PERTE D'USAGE DU PRODUIT, DE PERTE DE TEMPS OU DE DÉRANGEMENT. CERTAINS ÉTATS ET PROVINCES NE PERMETTANT L'EXCLUSION OU LA LIMITATION DES DOMMAGES DIRECTS OU INDIRECTS, LES RESTRICTIONS CI-DESSOUS PEUVENT NE PAS ÊTRE APPLICABLES.

Cette garantie donne au consommateur des droits spécifiques, et celui-ci peut bénéficier d'autres droits, qui varient selon les états ou provinces.

Cette garantie couvre tous les produits d'extérieur de 58 V de marque ECHO fabriqués par OWT Industries, Inc., vendus aux États-Unis et au Canada.

Pour obtenir l'adresse du le plus proche centre de réparations autorisé pour les produits d'extérieur de 58 V de marque ECHO, appeler le 1-877-396-3036.

# INSTRUCCIONES DE SEGURIDAD IMPORTANTES

## ¡ADVERTENCIA!

**LEA Y COMPRENDA TODAS LAS INSTRUCCIONES. El incumplimiento de las instrucciones señaladas abajo y en la máquina puede causar descargas eléctricas, incendios y/o lesiones serias.**

### Lea todas las instrucciones




- Esta máquina de corte es capaz de amputar manos y pies, y de lanzar objetos. La inobservancia de todas las instrucciones de seguridad puede causar lesiones serias o la muerte.
- Evite ambientes peligrosos — No use la podadora de pasto en condiciones húmedas o mojadas ni la utilice en la lluvia.
- Mantenga alejados a los niños — Mantenga alejados a todos los circunstantes, niños y animales a una distancia mínima de 30,5 m (100 pies). Detenga la máquina si alguien ingresa al área.
- Pueden producirse accidentes trágicos si el operador no está alerta a la presencia de niños. Los niños suelen sentirse atraídos por la máquina y la actividad de la podadora. Nunca dé por sentado que los niños permanecerán donde los vio por última vez.
  - Mantenga a los niños alejados del área de podado y bajo la cuidadosa supervisión de un adulto responsable que no sea el operador.
  - Esté alerta y apague la podadora si un niño entra en el área.
  - Nunca permita que un niño utilice la máquina.
  - Tenga cuidado extremo al acercarse a esquinas ciegas, arbustos, árboles u otros objetos que puedan impedirle ver a un niño.
- Vístase adecuadamente — Póngase pantalones largos de tela gruesa, mangas largas, guantes y use calzado de seguridad que le proteja sus pies y mejore su postura en superficies resbaladizas. No se ponga ropa holgada o pantalones cortos, sandales ni ande descalzo. No se ponga joyas de ninguna clase. Pueden quedar atrapadas en las piezas móviles.
- Ne pas travailler hors de portée — Toujours se tenir bien campé et en équilibre. Se puede perder el equilibrio al tratar de alcanzar demasiado lejos.
- No deje desatendida la podadora de pasto mientras la tenga encendida o con la llave de arranque instalada.
- Mantenga las manos y los pies alejados del área de corte. Manténgase alejado de la abertura de descarga en todo momento.
- Utilice la podadora de pasto únicamente a la luz del día o con buena luz artificial.
- Utilice gafas de seguridad — Siempre utilice protección para los ojos con escudos laterales que cumplan con ANSI Z87.1. Si el proceso es polvoriento, utilice una careta.
- Utilice el aparato adecuado para la tarea — No utilice la podadora de pasto para ninguna función diferente de las especificadas.
- No fuerce la podadora de pasto — Efectúa el trabajo mejor y de manera más segura, si se utiliza a la velocidad para la que está diseñada.
- No cargue la cortadora de césped bajo la lluvia o en ubicaciones húmedas.
- Permanezca alerta — Preste atención a lo que esté haciendo y use el sentido común al utilizar la podadora de pasto. No utilice la podadora cuando está cansado, molesto o bajo la influencia de drogas, alcohol o medicamentos. Un momento de descuido al utilizar la podadora de pasto puede causar lesiones serias.
- Mantenga la podadora de pasto con cuidado — Mantenga la máquina en buenas condiciones de trabajo. Mantenga los mangos secos, limpios y sin aceite ni grasa. Mantenga las cuchillas afiladas, y las protecciones en su lugar y en buenas condiciones de trabajo. Reemplace las cuchillas dañadas o desgastadas de forma irregular antes de usar la podadora para obtener el mejor desempeño.
- Revise el apriete de todas las tuercas, pernos y tornillos con frecuencia para verificar la seguridad de las condiciones de funcionamiento del equipo. Las cuchillas de la podadora son filosas. Envuelva la cuchilla o utilice guantes y sea extremadamente precavido cuando las repare.
- No deseche la batería en el fuego. Las baterías pueden estallar. Verifique los códigos de la localidad para conocer posibles instrucciones especiales para desecharlas.
- Apague el motor y espere hasta que la cuchilla se detenga completamente y retire la llave de arranque de fusible y paquete de baterías antes de limpiar la podadora de pasto, retirar el receptor de hierba o extraer el tapón para trituración de pasto para fertilizar.
- Cambie la cuchilla si está doblada o fisurada. Una cuchilla mal equilibrada ocasiona vibraciones que podrían dañar la unidad impulsora del motor o causar lesiones personales. Afile la cuchilla desafilada de la misma manera en cada extremo para mantener el equilibrio. Limpie profundamente la cuchilla y verifique el equilibrio apoyándola horizontalmente sobre un clavo delgado a través del orificio central. El clavo debe encontrarse en posición horizontal. Si alguno de los extremos de la cuchilla gira hacia abajo, extraiga algo de metal de la parte pesada del extremo inferior hasta que la cuchilla quede equilibrada. La cuchilla estará equilibrada cuando ninguno de los extremos gire hacia abajo.
- Siempre utilice dispositivos de protección. No utilice la podadora si no tiene el receptor de hierba, la protección de descarga, el tapón para trituración de pasto y la puerta de descarga trasera en sus debidos lugares y en perfectas condiciones de funcionamiento.
- No abra ni dañe el paquete de baterías. El electrolito emitido es corrosivo y puede causar daños en los ojos y en la piel. Puede ser tóxico si se ingiere.
- Siga las instrucciones del fabricante para el correcto manejo e instalación de los accesorios. Sólo utilice accesorios aprobados por el fabricante.
- Tenga cuidado cuando maneje baterías a fin de no realizar un cortocircuito en la batería con materiales conductores como anillos, brazaletes y llaves. La batería o el conductor pueden recalentarse y provocar quemaduras.
- Despeje el área de trabajo cada vez antes de utilizar esta herramienta. Retire todos los objetos como piedras, palos, metal, alambre, huesos, juguetes u otros objetos que puedan ser lanzados por la cuchilla. Permanezca detrás del mango mientras el motor esté en funcionamiento.

# INSTRUCCIONES DE SEGURIDAD IMPORTANTES











- Evite pozos, surcos, montículos, rocas, estacas que indican los límites de la propiedad u otros objetos ocultos. El terreno desnivelado puede causar un accidente por resbalón y caída.
- No pade el pasto cerca de precipicios, zanjas o terraplenes.
- Pade atravesando el frente de las pendientes; nunca hacia arriba ni hacia abajo. Tenga mucha precaución al cambiar de dirección en una pendiente.
- Planifique su patrón de podado para evitar la descarga de material en caminos, aceras, circunstancias y demás. Además, evite descargar material contra una pared u obstrucción que pueda hacer que el material rebote hacia el operador.
- No pade la hierba cuando está mojada ni en pendientes excesivamente empinadas. Una postura mal afirmada puede causar un accidente por resbalón y caída. Camine, no corra nunca.
- Tenga cuidado extremo al acercarse a esquinas ciegas, arbustos, árboles u otros objetos que puedan impedirle ver.
- No tire de la podadora hacia atrás a menos que sea absolutamente necesario. Si debe retroceder la podadora para alejarla de una pared u obstrucción, primero mire hacia abajo y hacia atrás para evitar tropezar o tirando la podadora hacia los pies.
- Nunca dirija el material descargado hacia una persona. Evite descargar el material contra una pared u obstrucción. El material puede rebotar hacia el operador. Detenga la cuchilla cuando cruce por superficies de grava.
- Los objetos golpeados por la cuchilla de la podadora de pasto pueden causar graves heridas a las personas. Siempre debe examinarse el pasto con cuidado y despejarlo de cualquier objeto antes de cada poda.
- Si la podadora de pasto golpea un objeto extraño, siga estos pasos:
  - Detenga la podadora de césped soltando el palanca de control de la hoja, espere hasta que la cuchilla se detenga por completo y luego retire la llave de arranque y batería.
  - Inspeccione minuciosamente la podadora para ver si tiene daños.
  - Reemplace la cuchilla si presenta algún tipo de daño. Repare todo daño antes de volver a arrancar la podadora y continuar utilizándola.
- Detenga el motor, espere hasta que la cuchilla se detenga por completo y retire la llave de arranque y batería antes de limpiar la bolsa colectora. La cuchilla continúa girando durante algunos segundos después de que se apaga el motor. Nunca coloque ninguna parte del cuerpo en el área de la cuchilla hasta que esté seguro de que la cuchilla ha dejado de girar.
- Si la podadora comienza a vibrar de manera anormal, detenga el motor e inspecciónela inmediatamente para determinar la causa. Reemplace la cuchilla si presenta algún tipo de daño o si se ha desgastado de forma irregular. La vibración es generalmente una advertencia de problemas.
- Sólo personal de reparación calificado debe dar servicio al producto. Todo servicio o mantenimiento efectuado por personal no calificado puede significar un riesgo de lesiones al usuario, y de daños físicos al producto.
- El conjunto del receptor de hierba está sujeto a deterioro y a desgaste, y se debe revisar todas las veces que use la podadora. Si es necesario algún repuesto, asegúrese de que el receptor de hierba nuevo cumpla con las recomendaciones y especificaciones del fabricante.
- Al dar servicio a este producto, sólo utilice únicamente repuestos autorizado. Utilice solo cuchillas de repuesto idénticas a las originales. El empleo de piezas no autorizadas puede significar un riesgo de lesiones serias al usuario, o de daños físicos al producto.
- Mantenga las etiquetas de instrucciones de seguridad en buen estado o cámbielas, según sea necesario.
- Desconecte el paquete de baterías — Desconecte el paquete de baterías antes de guardar la herramienta, servicio, transporte, o cambie los aditamentos como una hojas. Tales medidas preventivas de seguridad reducen el riesgo de poner en marcha accidentalmente la herramienta.
- Apague la unidad y desconecte el paquete de baterías y llave de arranque cuando no esté en uso. Traslade o transporte la unidad con el motor apagado y la llave de arranque y el paquete de baterías ya retirados de la podadora.
- Las herramientas de baterías no se necesitan conectar a una toma de corriente; por lo tanto, siempre están en condiciones de funcionamiento. Esté consciente de los posibles peligros cuando no esté usando la herramienta de baterías o cuando esté cambiando los accesorios de la misma. Con el cumplimiento de esta regla se reduce el riesgo de una descarga eléctrica, incendio o lesión corporal seria.
- No use aparatos accionados por baterías en la lluvia.
- Quite o desconecte la batería antes de proporcionarle servicio, realizarle una limpieza o quitar material del aparato para el cuidado del jardín.
- Para utilice con baterías de iones de litio de ECHO brand 58 V. Vea la “Foletto de correlacion de herramienta / aparatos / paquete de baterías/cargador” 991000233.
- Guarde en el interior los aparatos que no se están usando — Cuando no se está usando, se debe guardar la recortadora de hilo en el interior, en un lugar seco y cerrado con llave de arranque, inaccesible a los niños. Retire la llave de arranque y guárdela en un lugar apartado fuera del alcance de los niños.
- Siga las instrucciones para lubricar y cambiar accesorios.
- Solo permita que esta máquina sea operada por personas adultas responsables que estén familiarizadas con las instrucciones.
- Nunca opere la máquina en un espacio cerrado.
- Nunca altere los dispositivos de seguridad. Compruebe periódicamente que la máquina funcione correctamente.
- Guarde estas instrucciones. Consúltelas con frecuencia y empléelas para instruir a otras personas que puedan utilizar esta herramienta. Si presta a alguien esta herramienta, facilítele también las instrucciones.

# SÍMBOLOS

Las siguientes palabras de señalización y sus significados tienen el objeto de explicar los niveles de riesgo relacionados con este producto.


Símbolo	Señal	Significado
	<b>PELIGRO:</b>	Indica una situación peligrosa inminente, la cual, si no se evita, causará la muerte o lesiones serias.
	<b>ADVERTENCIA:</b>	Indica una situación peligrosa posible, la cual, si no se evita, podría causar la muerte o lesiones serias.
	<b>PRECAUCIÓN:</b>	Indica una situación peligrosa posible, la cual, si no se evita, podría causar lesiones menores o leves.
	<b>AVISO:</b>	(Sin el símbolo de alerta de seguridad) Indica información importante no relacionada con ningún peligro de lesiones, como una situación que puede ocasionar daños físicos.

Es posible que se empleen en este producto algunos de los siguientes símbolos. Le suplicamos estudiarlos y aprender su significado. Una correcta interpretación de estos símbolos le permitirá utilizar mejor y de manera más segura el producto.

Símbolo	Nombre	Denominación/Explicación
	Alerta de seguridad	Indica un peligro posible de lesiones personales.
	Lea manual del operador	Para reducir el riesgo de lesiones, el usuario debe leer y comprender el manual del operador antes de usar este producto.
	Protección ocular	Siempre póngase protección ocular con protección lateral con la marca de cumplimiento de la norma ANSI Z87.1.
	Alerta de condiciones húmedas	No exponga la unidad a la lluvia ni la use en lugares húmedos.
	Descarga eléctrica	Si no se usa la unidad en condiciones secas y no se observan prácticas seguras de trabajo, puede producirse una descarga eléctrica.
	Mantenga las manos y los pies alejados	Mantenga las manos y los pies alejados de las cuchillas y del área de corte.
	No extenderse	No extienda las manos o los pies por debajo de la cubierta de la podadora.
	No utilizar sobre pendientes	No utilice la podadora sobre pendientes superiores a los 15°. Corte sobre la superficie de las pendientes y nunca de arriba a abajo.
	Mantenga alejados a los niños y circunstantes	Mantenga a los niños y otras personas alejadas a una distancia mínima de 30,5 m (100 pies).
	Rebote	Cualquier objeto lanzado puede rebotar y producir lesiones personales o daños físicos.

# SÍMBOLOS

Es posible que se empleen en este producto algunos de los siguientes símbolos. Le suplicamos estudiarlos y aprender su significado. Una correcta interpretación de estos símbolos le permitirá utilizar mejor y de manera más segura el producto.

Símbolo	Nombre	Denominación/Explicación
	Símbolo de reciclado	Este producto contiene baterías de iones de litio (Li-ion). Es posible que algunas leyes municipales, estatales o federales prohíban desechar las baterías de níquel-cadmio en la basura normal. Consulte a las autoridades reguladoras de desechos para obtener información en relación con las alternativas de reciclado y desecho disponibles.
==	Corriente continua	Tipo o característica de corriente
$n_0$	Velocidad en vacío	Velocidad de rotación, en vacío
.../min	Por minuto	Revoluciones, carreras, velocidad superficial, órbitas, etc., por minuto
V	Volts	Voltaje
Hz	Hertz	Frecuencia (ciclos por segundo)
min	Minutos	Tiempo

## CARACTERÍSTICAS

### Product Specifications

Motor.....	58 Volt DC
Trayectoria de corte.....	533,4 mm (21 pulg.)
Ajustes de altura.....	19,1 mm à 101,6 mm (3/4 pulg. à 4 pulg.)
Tamaño de las ruedas.....	228,6 mm (9 pulg.)

### Familiarícese con su podadora de pasto

Vea la figura 1.

Para usar este producto con la debida seguridad se debe comprender la información indicada en el producto mismo y en este manual, y se debe comprender también el trabajo que intenta realizar. Antes de usar este producto, familiarícese con todas las características de funcionamiento y normas de seguridad del mismo.

### Tapa de las baterías

La tapa de las baterías protege el compartimiento de las baterías de los residuos.

### Motor sin escobillas

Este producto cuenta con un motor sin escobillas que maximiza la potencia y el desempeño, así como el tiempo de funcionamiento de la batería.

### Puertos de baterías dobles

Este producto cuenta con puertos de baterías dobles para minimizar el tiempo de inactividad durante el funcionamiento. Para cambiar de una batería a la otra, solo invierta la dirección de la flecha en la llave de selección.

### Receptor de hierba

El receptor de hierba acumula lo que ya ha cortado y evita que se desparrame mientras continúa cortando el césped.

### Palancas de ajuste de altura

Utilice las palancas de ajuste de altura de la rueda para ajustar la altura del corte.

### Tapón para trituración

La podadora está equipada con un tapón para trituración que cubre la abertura de descarga trasera y que permite que las cuchillas de la podadora corten y recorten el césped más fino.

### Botón de arranque y palanca de control de la hoja

El botón de arranque y la palanca de control de la hoja, ubicados en el mango superior, se utilizan para arrancar la podadora.

### Llave de arranque

La llave de arranque debe introducirse antes de arrancar la podadora.

# ARMADO

## Desempaquetado

Este producto requiere armarse.

- Extraiga cuidadosamente de la caja la producto y los accesorios. Asegúrese de que estén presentes todos los artículos enumerados en la lista de empaquetado.

### ADVERTENCIA

**No utilice este producto si alguna pieza incluida en la Lista de empaquetado ya está ensamblada al producto cuando lo desempaqueta. El fabricante no ensambla las piezas de esta lista en el producto. Éstas deben ser instaladas por el usuario. El uso de un producto que puede haber sido ensamblado de forma inadecuada podría causar lesiones personales graves.**

- Inspeccione cuidadosamente la producto para asegurarse de que no haya sufrido ninguna rotura o daño durante el transporte.
- No deseche el material de empaquetado hasta que haya inspeccionado cuidadosamente la producto y la haya utilizado satisfactoriamente.
- Si hay piezas dañadas o faltantes, le suplicamos llamar al 1-877-396-3036, donde le brindaremos asistencia.

## Lista de empaquetado

Podadora

Llave de arranque

Tapón para trituración

Receptor de hierba

Gafas de seguridad

Manual del operador

### ADVERTENCIA

**Si hay piezas dañadas o faltantes, no utilice esta producto sin haber reemplazado las piezas dañadas o faltantes. La inobservancia de esta advertencia puede causar lesiones graves.**

### ADVERTENCIA

**No intente modificar este producto ni hacer accesorios no recomendados para el mismo. Cualquier alteración o modificación constituye maltrato y puede causar una condición peligrosa, y como consecuencia posibles lesiones serias.**

### ADVERTENCIA

**No meta llave de arranque o paquete de baterías sin haber terminado de armarla y usted está listo para cortar. De lo contrario la unidad puede ponerse en marcha accidentalmente, con el consiguiente riesgo de lesiones serias.**

### ADVERTENCIA

**Para prevenir empezar accidental, no hace ningún ajuste ni las instalaciones con la llave de arranque o paquete de baterías metida. El arranque accidental de la podadora durante el armado puede causar lesiones graves.**

### ADVERTENCIA

**Nunca utilice la podadora sin que los dispositivos de seguridad adecuados estén colocados y en funcionamiento. Nunca utilice la podadora con dispositivos de seguridad dañados. El funcionamiento de la podadora con piezas dañadas o faltantes puede ocasionar lesiones graves.**

## Desplegar y ajustar el conjunto de mangos

Vea las figuras 2 y 3.

- Completa afloje la perillas del mango en ambos lados de la mango superior.
- Tire de las perillas de ajuste del mango hacia afuera y gire a 90 grados.
- Tire del mango superior hacia abajo y hacia atrás para levantar el mango hasta la posición de funcionamiento.

### AVISO

**No permita que el cable del arrancador quede apretado o atrapado al levantar los mangos.**

- Apriete las perillas del mango a ambos lados del mango.
- Tire de las perillas de ajuste del mango hacia afuera y gire a 90 grados.
- Gire el mango a la posición deseada.
- Gire la perilla 90 grados nuevamente para asegurar el mango en su lugar.

**NOTA:** El mango debe estar en uno de los tres orificios de posicionamiento del mango o la unidad no funcionará.

## Instalación del tapón para trituración (para la operación de trituración)

Vea la figura 4.

**NOTA:** Cuando se usa la tapón para trituración, no instala el receptor de hierba.

- Retire la llave de arranque de fusible y paquete de baterías.
- Levante y sujete la puerta de descarga posterior.
- Sostenga la tapón para trituración del mango e insértelo inclinándolo levemente, como se muestra.
- Empuje firmemente el tapón para trituración en su lugar.
- Suelte la puerta de descarga posterior.
- Vuelva a instalar la llave de arranque y el paquete de baterías cuando esté listo para podar el pasto.

# ARMADO

## Instalación del receptor de hierba (operación de ensacado trasero)

Vea la figura 5 y 6.

**NOTA:** Cuando se usa el receptor de hierba, no instala el tapón para trituración.

- Retire la llave de arranque de fusible y paquete de baterías.
- Levante la puerta de descarga posterior.
- Levante el receptor de hierba por su mango y colóquelo debajo de la puerta de descarga posterior de modo que los ganchos del receptor de hierba queden asentados en la caja del podadora.
- Suelte la puerta de descarga posterior.
- Vuelva a instalar la llave de arranque y el paquete de baterías cuando esté listo para podar el pasto.

## Ajuste de la altura de la cuchilla

Vea la figura 7.

Para enviarlas, las ruedas de la podadora se ajustan en una posición de corte bajo. Antes de usar la podadora por primera vez, ajuste la posición de corte a la altura más adecuada para su pasto. El pasto promedio debe tener una longitud de entre 38,10 mm (1-1/2 pulg.) y 50,80 mm (2 pulg.) durante los meses fríos, y entre 50,80 mm (2 pulg.) y 82,55 mm (3-1/4 pulg.) durante los meses calurosos.

### Para ajustar la altura de la cuchilla:

- Retire la llave de arranque de fusible y paquete de baterías.
- Ajuste cada rueda para lograr la altura de hoja deseada.  
**NOTA:** Si mueve las palancas de ajuste de altura hacia el interior de la base inferior de corte, baja la altura de la hoja, y si las mueve hacia el exterior se eleva la altura de la hoja.
- Vuelva a instalar la llave de arranque y el paquete de baterías cuando esté listo para podar el pasto.

# FUNCIONAMIENTO

## ⚠ ADVERTENCIA

*No permita que su familiarización con este tipo de producto lo vuelva descuidado. Tenga presente que un descuido de un instante es suficiente para causar una lesión grave.*

## ⚠ ADVERTENCIA

*Siempre utilice protección para los ojos con escudos laterales que cumplan con ANSI Z87.1. La inobservancia de esta advertencia puede causar el lanzamiento de objetos a los ojos, y por consecuencia posibles lesiones serias.*

## ⚠ ADVERTENCIA

*Antes de cada uso, inspeccione todo el producto para detectar algún daño, partes faltantes o sueltas la cuchilla no esté dañada o desgastada. El funcionamiento de la podadora con piezas dañadas o faltantes puede ocasionar lesiones graves.*

Este producto acepta los paquetes de baterías de iones de litio de ECHO 58 V solamente.

Para ver las instrucciones de carga completas, consulte los manuales del operador del paquete de baterías ECHO y los modelos de cargador.

## Usos

Esta herramienta puede emplearse para el fin señalado abajo:

- Podar el pasto

**NOTA:** Este producto cuenta con puertos de baterías dobles para ayudar a minimizar el tiempo de inactividad durante el funcionamiento. La podadora puede funcionar con un paquete de baterías de 58 V instalado en cualquier puerto para baterías, o puede instalar una batería en cada puerto y solo invertir la dirección de la flecha en la llave de arranque para cambiar a la segunda batería cuando la primera esté agotada.

## ⚠ ADVERTENCIA

*Retire siempre el paquete de baterías y retire la llave de arranque de la herramienta antes de instalar las piezas, realizar ajustes, limpiarla o cuando no la utilice. Esto evitará que la unidad se accione accidentalmente y provoque lesiones graves.*

## Instalación/extracción de la batería

Vea la figura 8.

### Para instalar el paquete de baterías:

- Abra la tapa de las baterías.
- Alinee la ranura exterior del paquete de baterías con la costilla realizada interior del receptáculo para pilas de la herramienta y coloque el paquete de baterías en la herramienta.



# FUNCIONAMIENTO

## ADVERTENCIA

**Asegúrese de que el pestillo de la herramienta est adecuadamente en su lugar y que el paquete de baterías esté bien colocado y asegurado en el puerto de batería de la herramienta antes de que encenderla. No asentar el paquete de baterías correctamente podría provocar que el paquete de baterías se caiga y cause lesiones personales graves.**

- Cierre la tapa de las baterías.

### Para retirar el paquete de baterías:

- Abra la tapa de las baterías.
- Appuyer sur le taquet de la pile situé sur l'outil et pousser le bloc-piles vers l'extérieur en utilisant la poignée.
- Cierre la tapa de las baterías.

## ADVERTENCIA

**A fin de evitar lesiones personales de gravedad, siempre extraiga el paquete de baterías y la llave de arranque cuando mover o transporte la herramienta.**

### Encendido y apagado de la podadora

Vea la figura 9 y 10.

- Abra la tapa de las baterías.
- Instalar el paquete de baterías.
- Inserte la llave de arranque en la ranura junto al puerto de la batería. La flecha de la llave debe enfrenar a la batería que se está utilizando.
- Cierre la tapa de las baterías.
- Oprima y no suelte el botón de arranque.
- Mientras continúa presionando el botón de arranque, tire de la palanca de control de la hoja hacia el mango. Una vez que el motor arranque, suelte el botón de arranque.
- Para detener la podadora, suelte de la palanca de control de la hoja.
- El mango debe estar en uno de los tres orificios de posicionamiento del mango o la unidad no funcionará.

### Sugerencias para el podado

- Asegúrese de que el pasto no tenga piedras, palos, alambres ni otros objetos que puedan dañar las cuchillas o el motor de la podadora de pasto. No corte sobre estacas que indican los límites de la propiedad o sobre otros postes metálicos. Dichos objetos podrían ser dañados por la podadora o lanzados accidentalmente por la podadora en cualquier dirección y provocar lesiones serias al operador y a otras personas.
- Para tener un pasto saludable, siempre corte un tercio o menos de la longitud total de la hierba.
- Al cortar hierba frondosa, reduzca la velocidad mientras camina para poder obtener un corte más eficaz y una descarga adecuada de los recortes.

- No corte la hierba cuando esté mojada. Se pegará a la parte inferior del piso e impedirá evita el embolsado o la trituración adecuada del césped cortado.
  - La hierba nueva o gruesa puede requerir un corte más bajo o una mayor altura de corte.
  - Limpie la parte inferior del piso de la podadora después de cada uso para eliminar recortes de hierba, hojas, suciedad y otros desechos acumulados.
- NOTA:** Siempre detenga la podadora, espere a que las cuchillas se detengan por completo, retire la llave de arranque de fusible y retire el paquete de baterías antes de limpiar debajo de la podadora.

### Manejo en pendientes

Vea la figura 11.

## ADVERTENCIA

**Las pendientes son una de las causas principales de accidentes por resbalones y caídas que pueden provocar lesiones graves. El manejo en pendientes requiere precaución extra. Si se siente inseguro en una pendiente, no la pode. Para su seguridad, no intente podar pendientes de más de 15 grados.**

- Pode atravesando las pendientes; no hacia arriba ni hacia abajo. Tenga mucha precaución al cambiar de dirección en una pendiente.
- Tenga cuidado con los pozos, surcos, piedras, objetos ocultos o montículos que puedan provocar que se resbale o tropiece. La hierba alta puede ocultar obstáculos. Retire todos los objetos como piedras, ramas de árboles, etc., que puedan provocar tropezones o ser lanzados por la cuchilla.
- Siempre asegúrese de su postura. Un resbalón y caída puede provocar lesiones serias. Si siente que está perdiendo el equilibrio, suelte el palanca de control de la hoja superior inmediatamente.
- No pode el pasto cerca de precipicios, zanjas o terraplenes; podría perder la firmeza de la postura o el equilibrio.

### Vaciado del receptor de hierba

Vea la figura 12.

- Detenga la podadora, y espere a que las cuchillas se detengan por completo.
- Abra la tapa de las baterías.
- Retire la llave de arranque de fusible y paquete de baterías.
- Levante la puerta de descarga posterior.
- Levante el receptor de césped del mango para retirarlo de la podadora.
- Vacíe los recortes de hierba.
- Levante la puerta trasera y reinstale el receptor de césped como se indicó anteriormente en este manual.
- Vuelva a instalar la llave de arranque y el paquete de baterías cuando esté listo para podar el pasto.

# MANTENIMIENTO

## ADVERTENCIA

*Al dar servicio a la unidad, sólo utilice piezas de repuesto idénticas. El empleo de piezas diferentes podría causar un peligro o dañar el producto.*

## ADVERTENCIA

*Siempre póngase protección ocular con protección lateral con la marca de cumplimiento de la norma ANSI Z87.1. Si no cumple esta advertencia, los objetos que salen despedidos pueden producirle lesiones serias en los ojos.*

## ADVERTENCIA

*Al dar servicio a la unidad, asegúrese de que la batería y la llave de arranque se hayan retirado para evitar el arranque accidental y posibles lesiones graves.*

## Mantenimiento general

Evite el empleo de solventes al limpiar piezas de plástico. La mayoría de los plásticos son susceptibles a diferentes tipos de solventes comerciales y pueden resultar dañados. Utilice paños limpios para eliminar la suciedad, el polvo, el aceite, la grasa, etc.

## ADVERTENCIA

*No permita en ningún momento que fluidos para frenos, gasolina, productos a base de petróleo, aceites penetrantes, etc., lleguen a tocar las piezas de plástico. Las sustancias químicas pueden dañar, debilitar o destruir el plástico, lo cual a su vez puede producir lesiones corporales serias.*

Revise periódicamente el apriete de todos los pernos y tuercas para asegurar un manejo seguro de la podadora.

Elimine la hierba y las hojas acumuladas sobre la cubierta del motor o a su alrededor. Limpie ocasionalmente la podadora con un paño seco. No utilice agua.

## Lubricación

Todos los cojinetes de este producto están lubricados con suficiente cantidad de aceite de alta calidad para toda la vida útil de la unidad en condiciones normales de funcionamiento. Por lo tanto, no se necesita lubricación adicional de los cojinetes.

## ADVERTENCIA

*Siempre protéjase las manos usando guantes gruesos y/o envolviendo los bordes de corte de la cuchilla con paños y otro material al realizar el mantenimiento de la cuchilla. Contacto con la hoja podría causar lesiones serias.*

## Reemplazo de la cuchilla

*Vea las figuras 13 a 15.*

**NOTA:** Utilice únicamente piezas de repuesto autorizadas.

- Apague el motor y retire la llave de arranque. Permita que la cuchilla se detenga por completo.
  - Retire el paquete de baterías.
  - Gire la podadora sobre su costado.
  - Introduzca a presión un bloque de madera entre la cuchilla y el piso de la podadora para evitar que la cuchilla gire.
  - Afloje la tuerca de la cuchilla al girarlo a la izquierda (como se observa en la base de la podadora) usando una llave de tuercas o de boca tubular de 15 mm (no se suministra).
  - Retire la tuerca de la cuchilla, el separador, el aislante de cuchilla y la cuchilla.
  - Asegúrese de que el porta hojas y el buje del eje impulsor estén completamente presionados contra el eje impulsor.
  - Coloque la nueva hoja en el porta hojas. Asegúrese de que la hoja esté correctamente asentada con el eje a través del orificio central de la hoja y los dos puertos de la hoja estén insertados en sus respectivos orificios en la hoja. Asegúrese de que esté instalado con los extremos curvos apuntando hacia arriba hacia la base inferior de la podadora y no hacia abajo mirando al piso. Cuando estén asentados correctamente, la hoja y el porta hojas deben quedar al ras con el buje del eje impulsor.
  - Vuelva a colocar el aislante de cuchilla y el separador; luego, enrosque la tuerca de la cuchilla en el eje y apriétela con los dedos.
- NOTA:** Asegúrese de volver a colocar todas las piezas en el orden exacto en que fueron retiradas.
- Apriete la tuerca de la cuchilla derecha usando una llave dinamométrica (no suministrada) para asegurar que el perno esté apretado correctamente. La fuerza de torsión recomendada para la tuerca de la cuchilla es de 350-400 lb-pulg.

# MANTENIMIENTO

## Guardado de la podadora

Vea las figuras 16 y 17.

- Retire la llave de arranque y almacena en una ubicación segura fuera del alcance de niños.
- Antes de guardar, limpie el polvo o los residuos del área de la batería.
- Gire la podadora sobre su costado y limpie los recortes de hierba que se acumularon en la parte inferior del piso de la podadora.
- Limpie la podadora con un paño seco.
- Verifique el apriete de todos los pernos, tuercas, perillas, tornillos, sujetadores, etcétera.
- Inspeccione las piezas móviles para ver si hay daños, rupturas y desgaste. Haga que reparen todas las piezas dañadas o faltantes. Verifique que la cuchilla no esté dañada o desgastada excesivamente en forma irregular y reemplácela si existen estas condiciones.

- Guarde la podadora en el interior, en un lugar limpio y seco, lejos del alcance de los niños.
  - Para almacenar la podadora en posición horizontal, abaisse el ensemble de poignée como se indicó anteriormente en este manual. Evite doblar o atrapar cables.
  - Para almacenar la podadora en posición vertical, quite la bolsa para césped, luego baje el conjunto del mango como se muestra en la figura 17. Cuando se la almacene en posición vertical, el mango superior se puede almacenar ya sea, elevado (como se muestra en la figura 17) o plegado (como se muestra en la figura 16).
- NOTA:** Asegúrese de que los pasadores de las perillas de ajuste del mango estén completamente asentados en los orificios de fijación antes de intentar levantar la podadora hasta la posición de pie.
- No la guarde cerca de materiales corrosivos como fertilizantes o sal gema.

# CORRECCIÓN DE PROBLEMAS

Problema	Causa Posible	Solución
El motor falla de arranque cuando disparador de gatillo del interruptor.	La paquete de baterías no está fija.	Para fijar el paquete de baterías, asegúrese de que la batería esté completamente asentada y que el pestillo de la herramienta esté encastrado en su lugar.
	La paquete de baterías no está cargada.	Cargue el paquete de baterías según las instrucciones incluidas con su modelo.
	Falta la llave de arranque o apunta hacia el puerto de batería incorrecto.	Instale la llave de arranque y asegúrese de que la flecha de la llave apunte hacia el puerto de la batería donde se ubica el paquete de baterías cargado.
	El mango no está en la posición correcta.	Ajústelo en uno de los tres orificios de posicionamiento del mango en la podadora.
El motor se detiene mientras está presionado el gatillo del interruptor.	El motor está sobrecargado.	Suelte el gatillo del interruptor, espere algunos segundos y vuelva a presionar el gatillo nuevamente. El motor debería reiniciarse. Si no lo hace, retire el paquete de baterías, vuelva a instalarlo e inténtelo nuevamente.
Falta de energía.	El pasto está demasiado alto o húmedo.	Eleve la altura de corte, corte con un ancho menor, utilice una menor velocidad de podado o corte con mayor frecuencia cuando el pasto esté seco. Consulte las Sugerencias para podar en la sección FUNCIONAMIENTO de este manual.

# ACCESORIOS

Para pedir estos accesorios, llame al 1-877-396-3036.

- Descarga lateral .....ALSD-58V
- Accesorio de hoja de podadora de césped de 533,4 cm (21") .....ALB-58V

## ⚠ WARNING

**Arriba se señalan los aditamentos y accesorios disponibles para usarse con esta herramienta. No utilice ningún aditamento o accesorio no recomendado por el fabricante de esta herramienta. El empleo de aditamentos o accesorios no recomendados podría causar lesiones serias.**



# GARANTÍA

## Declaración de la garantía limitada

OWT Industries, Inc. garantiza al comprador original al menudeo que este producto para exteriores de la marca ECHO 58 V carece de defectos en los materiales y en la mano de obra, y acuerda reparar o reemplazar, a la sola discreción de OWT Industries, Inc., cualquier producto defectuoso, sin cargo alguno al comprador, dentro de los siguientes períodos de tiempo a partir de la fecha de compra.

- Cinco años si los productos se emplean para uso personal, familiar o casero;
- Dos años si el producto se emplea para el uso comercial;
- Noventa días si emplea para el uso alquiler.

Esta garantía se otorga solamente al comprador original al menudeo, y comienza en la fecha de la compra original al menudeo.

Cualquier parte de este producto que OWT Industries, Inc. considere, a su criterio razonable, tiene un defecto de materiales o de manufactura se reparará o cambiará sin costo de repuestos o mano de obra en un centro de servicio técnico autorizado por productos para exteriores ECHO marca 58 V.

El producto, incluida toda pieza defectuosa, debe enviarse a un centro de servicio técnico autorizado por productos para exteriores ECHO marca 58 V dentro del período de la garantía. El gasto de enviar el producto al centro de servicio para cualquier trabajo cubierto por la garantía, así como el gasto de devolverlo al propietario después de la reparación, correrán por cuenta del propietario. La responsabilidad de OWT Industries, Inc. con respecto a todo reclamo se limita a las reparaciones o reemplazo del producto, y ningún reclamo de incumplimiento de la garantía será causante de la cancelación o rescisión del contrato de venta de ninguna herramienta de uso en el exterior de la marca ECHO brand 58 V. En el establecimiento se requerirá el recibo de compra para respaldar cualquier reclamo al amparo de la garantía. Todo trabajo cubierto en la garantía debe ser realizado por un un centro de servicio técnico autorizado por productos para exteriores ECHO marca 58 V.

Esta garantía no cubre ningún producto que haya sido sujeto a un uso indebido, maltrato, negligencia o accidente, o que haya sido utilizado de cualquier forma contraria a las instrucciones de manejo especificadas en el manual del operador del producto. Esta garantía no aplica a ningún daño en el producto que resulte de un mantenimiento indebido ni a ningún producto que haya sido alterado o modificado. La garantía no cubre ninguna reparación necesaria por el uso normal ni por el uso de piezas o accesorios que sean incompatibles con la herramienta para uso exterior de la marca ECHO brand 58 V, o afecten de forma desfavorable su funcionamiento, desempeño o durabilidad.

Además, esta garantía no cubre:

Artículos sujetos a desgaste – Perillas de tope, carretes exteriores, hilos de corte, carretes interiores, poleas del ar-

rancador, cuerdas del arrancador, correas de transmisión, aspas, arandelas de fieltro y pasadores de enganche, hojas de triturar, ventiladores de sopladoras, tubos de sopladoras y de aspiradoras, sacos y correas de aspiradoras, barras guía y cadenas de sierras

OWT Industries, Inc. se reserva el derecho de cambiar o mejorar el diseño de este producto sin asumir cualquier obligación de modificar cualquier producto anteriormente fabricado.

TODAS LAS GARANTÍAS IMPLÍCITAS ESTÁN LIMITADAS EN DURACIÓN SEGÚN EL PERÍODO DE GARANTÍA DECLARADA. POR CONSIGUIENTE, CUALQUIER GARANTÍA IMPLÍCITA, INCLUSO LAS DE COMERCIABILIDAD, IDONEIDAD PARA UN PROPÓSITO EN PARTICULAR, O DE CUALQUIER TIPO, PIERDEN TOTALMENTE SU VALIDEZ DESPUÉS DEL VENCIMIENTO DEL PERÍODO DE GARANTÍA CORRESPONDIENTE DE CINCO AÑOS O DOS AÑOS O NOVENTA DÍAS. DE CONFORMIDAD CON ESTA GARANTÍA, LA OBLIGACIÓN DE OWT INDUSTRIES, INC. SE LIMITA ESTRICTA Y EXCLUSIVAMENTE A LA REPARACIÓN O REPLAZO DE LAS PIEZAS DEFECTUOSAS, Y OWT INDUSTRIES, INC. NO ASUME NINGUNA OTRA OBLIGACIÓN, NI AUTORIZA A NADIE ASUMIRLA A NOMBRE DE DICHA COMPAÑÍA. ALGUNOS ESTADOS NO PERMITEN LIMITACIONES EN CUANTO A LA DURACIÓN DE UNA GARANTÍA IMPLÍCITA, POR LO CUAL ES POSIBLE QUE LA LIMITACIÓN ANTERIOR NO SE APLIQUE EN EL CASO DE USTED. OWT INDUSTRIES, INC. NO ASUME NINGUNA RESPONSABILIDAD POR DAÑOS DIRECTOS, INDIRECTOS O DE NINGÚN OTRO TIPO, COMO EL GASTO DE ENVIAR EL PRODUCTO A UN CENTRO DE SERVICIO TÉCNICO AUTORIZADO POR PRODUCTOS PARA EXTERIORES ECHO MARCA 58 V Y EL GASTO DE ENVIARLO DE ALLÍ AL PROPIETARIO, EL TIEMPO DE VIAJE DEL MECÁNICO, CARGOS TELEFÓNICOS O TELEGRÁFICOS, ALQUILER DE UN PRODUCTO SUSTITUTO DURANTE EL TIEMPO DE REALIZACIÓN DEL SERVICIO DE LA GARANTÍA, VIAJES, PÉRDIDA O DAÑOS A OBJETOS DE PROPIEDAD PERSONAL, PÉRDIDA DE INGRESOS, PÉRDIDA DEL USO DEL PRODUCTO, PÉRDIDA DE TIEMPO O INCONVENIENTES. EN ALGUNOS ESTADOS NO SE PERMITE LA EXCLUSIÓN O LIMITACIÓN DE DAÑOS DIRECTOS O INDIRECTOS, POR LO CUAL ES POSIBLE QUE LA LIMITACIÓN O EXCLUSIÓN DESCRITA ARRIBA NO SE APLIQUE EN SU CASO.

Esta garantía le confiere derechos legales específicos, y es posible que usted goce de otros derechos, los cuales pueden variar de estado a estado.

Esta garantía se aplica a todas las herramientas para uso en el exterior de la marca ECHO brand 58 V fabricadas por OWT Industries, Inc. y vendidos en Estados Unidos y Canadá.

Para encontrar el centro de servicio autorizado de la marca ECHO 58 V más cercano a usted, llame al 1-877-396-3036.







**Operator's Manual**  
**Manuel d'utilisation / Manual del operador**

**58 Volt 21 in. Lawn Mower**

Tondeuse de 21 po, 58 V / Podadora de 21 pulg., 58 V

**CLM-58V**



**PARTS AND SERVICE**

Prior to requesting service or purchasing replacement parts, please obtain your item and serial numbers from the product data plate.

**Item No.** \_\_\_\_\_ **Serial No.** \_\_\_\_\_

**To obtain replacement parts:** Replacement parts can be purchased by calling 1-877-396-3036. Replacement parts can also be obtained at one of our authorized service centers for ECHO brand 58 V outdoor products.

**To locate an authorized service center:** Authorized Service Centers for ECHO brand 58 V outdoor products can be located online at [www.echocordless.com](http://www.echocordless.com) or by calling 1-877-396-3036.

**To obtain customer or technical support:** To obtain Customer or Technical Support, please contact us at 1-877-396-3036.

**PIÈCES ET SERVICE**

Avant de faire la demande de service ou l'achat de pièces de remplacement, veuillez obtenir les numéros d'article et de série à partir de la plaque de données du produit.

**Numéro d'article** \_\_\_\_\_ **Numéro de série** \_\_\_\_\_

**Pour obtenir les pièces de remplacement :** Les pièces de remplacement peuvent être achetées par téléphone au 1-877-396-3036. Les pièces de remplacement peuvent être obtenues à un de nos centres de service autorisés pour la marque ECHO 58 V produits d'extérieur.

**Pour trouver un centre de service autorisé :** Les centres de service autorisés pour la marque ECHO 58 V produits d'extérieur peuvent être localisés en ligne au [www.echocordless.com](http://www.echocordless.com) ou en téléphonant au 1-877-396-3036.

**Pour obtenir de l'aide en contactant le service à la clientèle :** Pour contacter le service à la clientèle pour une question technique ou pour tout autre renseignement, veuillez nous téléphoner au 1-877-396-3036.

**PIEZAS DE REPUESTO Y SERVICIO**

Antes de solicitar servicio técnico o comprar piezas de repuesto, obtenga su número de artículo y de serie de la placa de datos del producto.

**Número de artículo** \_\_\_\_\_ **Número de serie** \_\_\_\_\_

**Para obtener piezas de repuesto:** Las piezas de repuesto se pueden comprar en llamando al 1-877-396-3036. Las piezas de repuesto también se pueden obtener en uno de nuestros Centros de Servicio Autorizados para la marca ECHO 58 V productos para exteriores.

**Para localizar un centro de servicio autorizado:** Puede encontrar los Centros de Servicio Autorizados para la marca ECHO 58 V productos para exteriores visitando nuestro sitio en la red mundial, en la dirección [www.echocordless.com](http://www.echocordless.com) or by calling 1-877-396-3036.

**Para obtener servicio o asistencia técnica al consumidor:** Para obtener Servicio o Asistencia Técnica al Consumidor, sírvase comunicarse con nosotros llamando al 1-877-396-3036.

**California Proposition 65**

**⚠ WARNING**

*This product and substances that may become airborne from its use may contain chemicals, including lead, known to the State of California to cause cancer, birth defects, or other reproductive harm. Wash hands after handling.*

**Proposition 65 de l'état de Californie**

**⚠ AVERTISSEMENT**

*Ce produit ainsi que les substances rejetées dans l'air à la suite de son utilisation peuvent contenir des produits chimiques, notamment du plomb qui, selon l'État de la Californie, peuvent causer le cancer, des anomalies congénitales et d'autres dommages au système reproducteur. Bien se laver les mains après toute manipulation.*

**California - Propuesta de ley núm. 65**

**⚠ ADVERTENCIA**

*Este producto y sustancias que puedan llegar a ser aerotransportadas por su uso pueden contener sustancias químicas (por ejemplo, plomo) consideradas por el estado de California como causantes de cáncer, defectos de nacimiento u otras alteraciones reproductivas. Lávese las manos después de utilizar el aparato.*

ECHO is a trademark of ECHO Incorporated and is used pursuant to a license granted by ECHO Incorporated.

ECHO est une marque d'ECHO Incorporated et est utilisée en vertu d'une licence accordée par ECHO Incorporated.

ECHO es una marca de ECHO Incorporated y se utiliza conforme a una licencia otorgada por ECHO Incorporated.

**OWT INDUSTRIES, INC.**

P.O. Box 35, Highway 8  
Pickens, SC 29671, USA  
1-877-396-3036  
[www.echocordless.com](http://www.echocordless.com)

991000236  
11-21-14 (REV:03)