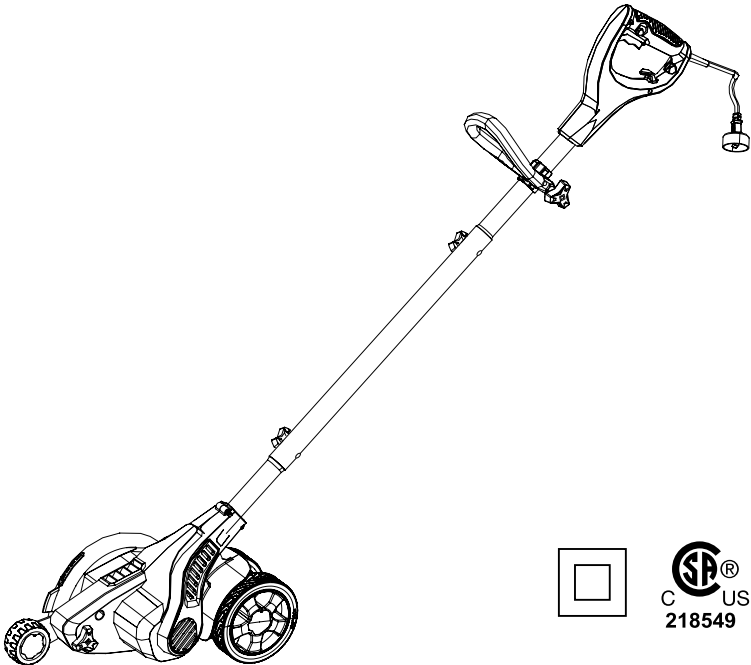



greenworks™

7-1/2" ELECTRIC LAWN EDGER

27032



SP®
C US
218549

Owner's Manual

TOLL-FREE HELPLINE: 1-888-90WORKS (888.909.6757)

⚠ Read all safety rules and instructions carefully before operating this tool.

CONTENTS

Contents	2
Product Specifications	2
Important Safety Instructions.....	3-5
Specific Safety Rules.....	6
Symbols.....	8-9
Electrical.....	10-11
Know your Lawn Edger.....	12
Assembly	13-16
Operation.....	17-21
Maintenance	22-24
Troubleshooting	25
Warranty	26
Exploded View.....	27-29

PRODUCT SPECIFICATIONS

7-1/2" ELECTRIC LAWN EDGER.....

Input	120 V, AC only, 60 Hz, 12 Amps
Blade Length	7-1/2". (19cm)
Weight	14 lb (6.3 kg)



IMPORTANT SAFETY INSTRUCTIONS

WARNING

Read and understand all instructions. Failure to follow all instructions listed below may result in electric shock, fire and/or serious personal injury.

- Read the operator's manual carefully. Be thoroughly familiar with the controls and the proper use of the equipment. Know how to stop the unit and disengage the controls quickly.
- Do not allow children or untrained individuals to use this unit.
- Clear the work area before each use. Remove all objects such as rocks, broken glass, nails, wire, or string which can be thrown or become entangled in the edger blade.
- Wear safety glasses or goggles that are marked to comply with ANSI Z87.1 standard when operating this product.
- Dress properly — Do not wear loose clothing or jewelry. They can be caught in moving parts. Use of sturdy gloves is recommended. Use of rubber gloves and substantial footwear is recommended when working outdoors. Wear protective hair covering to contain long hair.
- Do not operate product when barefoot or wearing open sandals. Always wear safety footwear and pants or slacks that cover your legs.
- Never operate this unit on the operator's left side.
- Keep children, bystanders, and pets at least 50 ft. away. Bystanders should be encouraged to wear eye protection. If approached, stop motor and attachment.
- Stay alert, watch what you are doing, and use common sense. Do not use product while tired or under the influence of drugs, alcohol, or medication.
- Do not operate in poor lighting.
- Keep firm footing and balance. Do not overreach. Overreaching can result in loss of balance or exposure to hot surfaces. Keep cutting attachment below waist. Keep all parts of your body away from any moving part.

DANGER: ROTATING CUTTING MEMBER.

- Keep both hands on handles when blade is rotating.
- Keep hands and feet away from cutting area.
- Do not attempt to remove cut material nor hold material to be cut when motor is running or when cutting member is moving.
- Make sure unit is unplugged when clearing jammed material from cutting member.
- Keep guards in place.
- Keep blade clean and sharp. Replace dull blades as needed.

CAUTION: CUTTING MEMBER COASTS AFTER TURN OFF.

- Unplug from the power outlet before making any adjustments or repairs. Wear protective equipment and observe all safety instructions. When the unit is turned off, make sure the cutting attachment has stopped before setting the unit down.

IMPORTANT SAFETY INSTRUCTIONS

- Inspect unit before each use for loose fasteners. Replace any damaged parts before use.
- Do not, under any circumstance, use any attachment or accessory on this product which was not provided with the product, or identified as appropriate for use with this product in the operator's manual.
- Avoid dangerous environments. Do not use the product in damp or wet locations.
- Do not use in rain.
- If the product vibrates abnormally, immediately stop the motor and check for the cause. Vibration is generally a warning of trouble.
- Before cleaning, repairing, or inspecting, shut off the motor and make certain all moving parts have stopped. Service on the product must be performed by qualified repair personnel only. Service or maintenance performed by unqualified personnel could result in injury to the user or damage to the product.
- Use only identical replacement parts when servicing the product. Use of unauthorized parts may create a risk of serious injury to the user, or damage to the product.
- To reduce the risk of electric shock, this tool has a polar-ized plug (one blade is wider than the other) and will require the use of a polarized extension cord. The plug will fit into a polarized extension cord only one way. If the plug does not fit fully into the extension cord, reverse the plug. If the plug still does not fit, obtain a correct polarized extension cord. A polarized extension cord will require the use of a polarized wall outlet. This plug will fit into the polarized wall outlet only one way. If the plug does not fit fully into the wall outlet, reverse the plug. If the plug still does not fit, contact a qualified electrician to install the proper wall outlet. Do not change the equipment plug, extension cord receptacle, or extension cord plug in any way.
- Avoid body contact with grounded surfaces such as pipes, radiators, ranges, and refrigerators.
- There is an increased risk of electric shock if your body is grounded.
- Don't expose product to rain or wet conditions. Water entering a power tool will increase the risk of electric shock.
- Do not handle plug or tool with wet hands.
- When operating a power tool outside, use an outdoor extension cord marked "W-A" or "W." These cords are rated for outdoor use and reduce the risk of electric shock. Store idle edger indoors — when not in use store in dry, and high or locked up place out of reach of children.
- Turn off all controls before unplugging.
- Do not use tool if switch does not turn it on or off. Any tool that cannot be controlled with the switch is dangerous and must be repaired.
- Do not use with damaged plug. If tool is not working as it should or has been dropped, damaged, left outdoors, or dropped into water, return it to an authorized service center.
- Do not leave the tool when plugged in. Unplug from the power outlet when not in use, before servicing, changing accessories, and before storing the tool. Such preventative safety measures reduce the risk of starting the tool accidentally.

IMPORTANT SAFETY INSTRUCTIONS

- Don't Abuse Cord — Do not pull or carry by cord, use cord as a handle, close a door on a cord, or pull cord around sharp edges or corners or yank to disconnect. Do not run appliance over cord. Keep cord away from heated surfaces.
- Do not unplug by pulling on cord. To unplug, grasp the plug, not the cord.
- Do not handle plug or appliance with wet hands.
- In a double insulated appliance, two systems of insulation are provided instead of grounding. No grounding means is provided on a double insulated appliance, nor should a means for grounding be added to the appliance. Servicing a double insulated appliance requires extreme care and knowledge of the system and should be done only by qualified service personnel. Replacement parts for a double insulated appliance must be identical to the parts they replace.
- For household use only.
- Ground Fault Circuit Interrupter (GFCI) — Protection should be provided on the circuit or outlet to be used for the edger. Receptacles are available having built in GFCI protection and may be used for this measure of safety.
- Avoid Unintentional Starting — Don't carry plugged in edger with finger on switch. Be sure switch is off when plugging in.
- Don't grasp the exposed cutting blades or cutting edges when picking up or holding the edger.
- Don't Force Edger — It will do the job better and with less likelihood of a risk of injury at rate for which it was designed. Maintain Edger with Care – Keep sharp cutting edge clean for best performance and to reduce the risk of injury. Follow instruction for lubricating and changing accessories. Inspect edger cord periodically, and if damaged, have it repaired by an authorized service facility. Inspect extension cords periodically and replace if damaged. Keeps handles dry, clean, and free from oil and grease.
- Check Damaged Parts — Before further use of the edger, a guard or other part that is damaged should be carefully checked to determine that it will operate properly and perform its intended function. Check alignment of moving parts, binding of moving parts, breakage of parts, mounting, and any other condition that might effect its operation. A guard or other part that is damaged should be properly repaired or replaced by an authorized service center unless indicated elsewhere in this manual.
- Use Right Appliance — Do not use edger for any job except that for which it is intended.
- Extension Cord— Make sure your extension cord is in good condition. When using an extension cord, be sure to use one heavy enough to carry the current your product will draw. A wire gauge size (A.W.G.) of at least 14 is recommended for an extension cord 50 feet or less in length. If in doubt, use the next heavier gauge. The smaller the gauge number, the heavier the cord. An undersized cord will cause a drop in line voltage resulting in loss of power and overheating.

SPECIFIC SAFETY RULES

- Be sure all guards are properly and securely attached.
- Replace dull or worn blade; do not attempt to sharpen.
- Do not attempt to sharpen blade. Failure to heed this warning could result in excessive vibration causing serious personal injury or property damage.
- Use this edger for edging along sidewalks, driveways, and flower beds. Do not use for any other purpose.
- Do not use the edger on or near graveled surfaces.
- If the edger strikes any type of foreign object:
 - Stop the edger and disconnect from the power supply.
 - Inspect for damage to the edger attachment.
 - Correct damage before using the edger attachment. Failure to do so can cause serious injury.
- Make yourself familiar with the area you are edging. Be aware of uneven sidewalks and holes in the terrain as well as other similar hazardous conditions (example: wire or wire rope which can break off and become a dangerous projectile). Always push the edger attachment slowly over rough ground.
- Never direct discharge of material toward bystanders or allow anyone near the area of operation. Use care in directing discharge to avoid glass enclosures, automobiles, and the like.
- Always stop the motor and disconnect from power supply before attempting to remove any obstruction caught or jammed in the blade, installing attachment, or making any adjustments.
- To reduce the risk of fire, do not allow excessive grass, leaves, or grease to accumulate on the product.
- Do not attempt to remove cut material nor hold material to be cut when the motor is running or when the cutting blade is moving.
- Always keep your right hand on the rear handle and your left hand on the front handle when the blade is rotating.
- Always be aware of the power cord's location and keep clear of the area you are working in. Cords may become a trip hazard to the operator. Cords that are in the cutting path may be cut by the edger.
- Never stand or have any part of your body in line with the path of the edger blade.
- A coasting blade can cause injury while it continues to spin after the motor is stopped or throttle trigger released. Maintain proper control until the blade has completely stopped rotating.
- Do not leave product unattended.
- If the power supply cord is damaged, it must be replaced only by the manufacturer or by an authorized service center to avoid risk.
- Save these instructions. Refer to them frequently and use them to instruct others who may use this tool. If you loan someone this tool, loan them these instructions also to prevent misuse of the product and possible injury.

SAVE THESE INSTRUCTIONS

SPECIFIC SAFETY RULES

⚠ WARNING (PROPOSITOIN 65)

Some dust created by power sanding, sawing, grinding, drilling and other construction activities contains chemicals known to the state of California to cause cancer, birth defects or other reproductive harm. Some examples of these chemicals are:

- Lead from lead-based paints,
- Crystalline silica from bricks and cement and other masonry products, and
- Arsenic and chromium from chemically-treated lumber.

Your risk from these exposures varies, depending on how often you do this type of work. To reduce your exposure to these chemical: work in a well ventilated area, and work with approved safety equipment, such as those dust masks that are specially designed to filter out microscopic particles.












CHILD SAFETY

Tragic accidents can occur if the operator is not aware of the presence of children.

- Keep children out of the mowing area and under the watchful care of a responsible adult.
- Do not allow children under the age of 14 to operate this mower. Children who are 14 years of age and older must read and understand the operating instructions and safety rules in this manual and must be trained and supervised by a parent.
- Stay alert, and turn the mower off if a child or any other person enters the mowing area.
- Look behind and down for small children before and while moving backwards.
- Use extreme care when approaching blind corners, doorways, shrubs, trees, or other objects that may obscure your view of a child who may run into the path of the mower.




SYMBOLS

Some of the following symbols may be used on this product. Please study them and learn their meaning. Proper interpretation of these symbols will allow you to operate the product better and safer.

SYMBOL	NAME	DESIGNATION/EXPLANATION
V	Volts	Voltage
A	Amperes	Current
Hz	Hertz	Frequency (cycles per second)
W	Watt	Power
min	Minutes	Time
~	Alternating Current	Type of current
≡	Direct Current	Type or a characteristic of current
	Class II Construction	Double-insulated construction
	Wet Conditions Alert	Do not expose to rain or use in damp locations
	Read The Operator's Manual	To reduce the risk of injury user must read and understand operator's manual before using this product.
	Safety Alert	Precautions that involve your safety.
	Keep Bystanders Away	Keep all bystanders at least 50 ft. away.
	Eye Protection	Always wear safety goggles or safety glasses with side shields and, as necessary, a full face shield when operating this product.
	Long Hair	Failure to keep long hair away from the air inlet could result in personal injury.
	Loose Clothing	Failure to keep loose clothing from being drawn into air intake could result in personal injury.
	Ricochet	Thrown objects can ricochet and result in personal injury or property damage.
	Sharp Blade	Danger – Keep hands and feet away from blade.
	No Hand Symbol	Failure to keep your hands away from the blade will result in serious personal injury.

SYMBOLS

The following signal words and meanings are intended to explain the levels of risk associated with this product.

SYMBOL	SIGNAL	MEANING
	DANGER	Indicates an imminently hazardous situation, which, if not avoided, will result in death or serious injury.
	WARNING	Indicates a potentially hazardous situation, which, if not avoided, could result in death or serious injury.
	CAUTION	Indicates a potentially hazardous situation, which, if not avoided, may result in minor or moderate injury.
	CAUTION	(Without Safety Alert Symbol) Indicates a situation that may result in property damage.

SERVICE

Servicing requires extreme care and knowledge and should be performed only by a qualified service technician. For service we suggest you return the product to your nearest **AUTHORIZED SERVICE CENTER** for repair. When servicing, use only identical replacement parts.

W A R N I N G

To avoid serious personal injury, do not attempt to use this product until you read thoroughly and understand completely the operator's manual. If you do not understand the warnings and instructions in the operator's manual, do not use this product. Call YARDWORKS customer service for assistance.

W A R N I N G



The operation of any power tool can result in foreign objects being thrown into your eyes, which can result in severe eye damage. Before beginning power tool operation, always wear safety goggles or safety glasses with side shields and, when needed, a full face shield. We recommend Wide Vision Safety Mask for use over eyeglasses or standard safety glasses with side shields. Always use eye protection which is marked to comply with ANSI Z87.1.

SAVE THESE INSTRUCTIONS

ELECTRICAL

⚠ WARNING

TO AVOID ELECTRICAL HAZARDS, FIRE HAZARDS, OR DAMAGE TO THE TOOL, USE PROPER CIRCUIT PROTECTION. YOUR EDGER IS WIRED AT THE FACTORY FOR 120 V OPERATION. CONNECT TO A 120V, 15A CIRCUIT AND USE A 15A TIME-DELAYED FUSE OR CIRCUIT BREAKER. TO AVOID SHOCK OR FIRE WHEN THE POWER CORD IS WORN, CUT, OR DAMAGED IN ANY WAY, REPLACE IT IMMEDIATELY.

DOUBLE INSULATED (See Figure 1.)

This edger has a plug that looks like the one shown in Fig. 1. The edger is double insulated to provide a double thickness of insulation between you and the tool's electrical system. All exposed metal parts are isolated from the internal metal motor components with protective insulation.

⚠ WARNING

TO AVOID INJURY, WHEN SERVICING THE EDGER USE ONLY IDENTICAL REPLACEMENT PARTS.

⚠ WARNING

DOUBLE INSULATION DOES NOT TAKE THE PLACE OF NORMAL SAFETY PRECAUTIONS WHEN OPERATING THIS TOOL.

⚠ WARNING

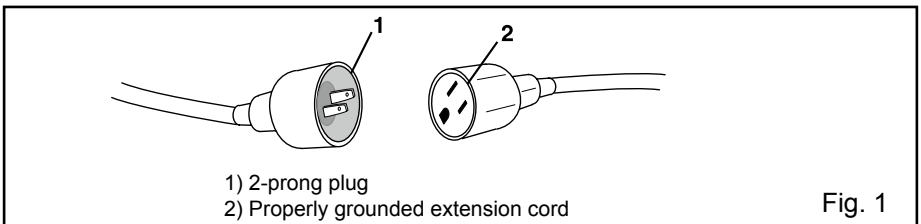
TO AVOID ELECTRIC SHOCK:

- Use only identical replacement parts when servicing a tool with double insulation. Servicing should be performed by a qualified technician.
 - Do not use in wet or damp areas or expose to rain.
-

GROUNDING INSTRUCTIONS

IN THE EVENT OF A MALFUNCTION OR BREAKDOWN, grounding provides the path of least resistance for electric current and reduces the risk of electric shock. This tool is equipped with an electric cord that has a POLARIZED plug. The power cord **MUST** be plugged into a matching outlet that is properly installed and grounded in accordance with ALL local codes and ordinances.

DO NOT MODIFY THE PLUG PROVIDED. If it will not fit the outlet, have the proper outlet installed by a qualified electrician.



ELECTRICAL

CAUTION

IN ALL CASES, MAKE CERTAIN THE RECEPTACLE IN QUESTION IS PROPERLY GROUNDED. IF YOU ARE NOT SURE, HAVE A CERTIFIED ELECTRICIAN CHECK THE RECEPTACLE.

WARNING

THIS EDGER IS FOR OUTDOOR USE ONLY. DO NOT EXPOSE TO RAIN OR USE IN DAMP LOCATIONS.

GUIDELINES FOR USING EXTENSION CORDS

USE THE PROPER EXTENSION CORD. Make sure your extension cord is in good condition. When using an extension cord, be sure to use one of heavy enough gauge to carry the current your product will draw. An undersized cord will cause overheating. The table below shows the correct size to use depending on cord length and nameplate ampere rating. If in doubt, use the next heavier gauge. The smaller the gauge number, the heavier the cord.

MINIMUM GAUGE FOR EXTENSION CORDS (AWG) (WHEN USING 120 V ONLY)

Amp Rating		Total Length of Cord in Feet (meters)			
More Than	Not More Than	25' (7.6 m)	50' (15 m)	100' (30.4 m)	150' (45.7 m)
0	6	18	16	16	14
6	10	18	16	14	12
10	12	16	16	14	12
12	16	14	12	Not Recommended	

Make sure your extension cord is properly wired and in good electrical condition. Always replace a damaged extension cord or have it repaired by a qualified person before using it. Keep your extension cords away from sharp objects, excessive heat and damp or wet areas. Use a separate electrical circuit for your tools. This circuit should not be less than #12 wire and should be protected with a 15 A time delayed fuse. Before connecting the motor to the power line, make sure the switch is in the OFF position and the electric current is rated the same as the current stamped on the motor nameplate. Running at a lower voltage will damage the motor.

WARNING

ALTHOUGH THIS TOOL IS DOUBLE INSULATED, THE EXTENSION CORD AND RECEPTACLE MUST STILL BE GROUNDED WHILE IN USE TO PROTECT THE OPERATOR FROM ELECTRICAL SHOCK.

SAVE THESE INSTRUCTIONS

KNOW YOUR LAWN EDGER

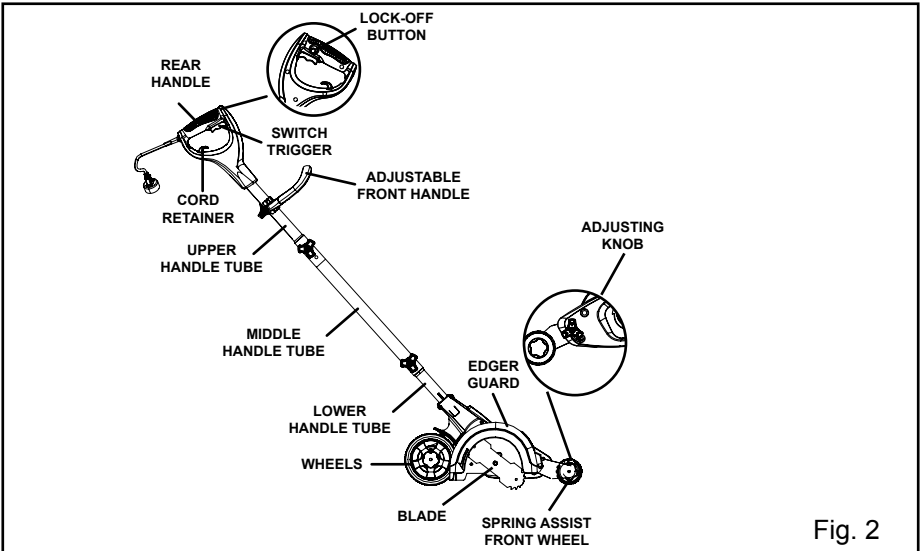


Fig. 2

KNOW YOUR EDGER (See Figure 2.)

The safe use of this product requires an understanding of the information on the tool and in this operator's manual as well as a knowledge of the project you are attempting. Before use of this product, familiarize yourself with all operating features and safety rules.

CORD RETAINER

A convenient cord retainer helps keep the extension cord connection secure during tool operation.

FRONT HANDLE

For ease of operation, the edger is equipped with a front handle.

LAWN EDGING AND TRENCHING

The edger blade can be adjusted to depths that allow for either lawn edging or for trenching.

LOCK-OFF BUTTON

The lock-off button reduces the possibility of accidental starting.

SPRING ASSIST FRONT WHEEL

The spring assist front wheel allows the user to determine the depth of the edger blade.

WHEELS

The front wheel and rear wheels are designed to fit snugly on top of curbs for improved edging.

ASSEMBLY

UNPACKING

- This product requires assembly.
- Carefully remove the product and any accessories from the box. Make sure that all items listed in the packing list are included.
- Inspect the product carefully to make sure no breakage or damage occurred during shipping.
- Do not discard the packing material until you have carefully inspected and satisfactorily operated the product.
- If any parts are damaged or missing, please call **1-888-909-6757** for assistance.

PACKING LIST

- Edger
- Wrench
- Operator's Manual

W A R N I N G

If any parts are damaged or missing, do not operate this product until the parts are replaced. Failure to heed this warning could result in serious personal injury.

W A R N I N G

Do not attempt to modify this product or create accessories not recommended for use with this product. Any such alteration or modification is misuse and could result in a hazardous condition leading to possible serious personal injury.

W A R N I N G

Do not connect to power supply until assembly is complete. Failure to comply could result in accidental starting and possible serious personal injury.

ASSEMBLY

CONNECTING THE POLES (See Figure 3.)

Before using the edger, a one-time assembly is required. When removed from the box, the three poles are connected by an electrical cord as shown below.

1. Remove packaging material from cord and discard.
2. Slide upper handle tube down into middle handle tube so that the holes will line up. There are two positions available on both upper handle tube and lower handle tube for adjustment to your preferred height setting. Ensure the power cable moves smoothly down into the middle handle tube while assembling.
3. Fasten handle tubes together with the knob (1) and curved heat bolt (2). Note that when you first insert the bolt it may be necessary to wiggle it carefully to get it pass the jacketed wire inside the tube.
4. Repeat this process to attach the middle handle tube to the lower handle tube.

CAUTION: NEVER use a sharp object to move jacketed wires out of the way.

⚠ WARNING

Failure to lock handle tubes as directed above could result in serious injury or death.

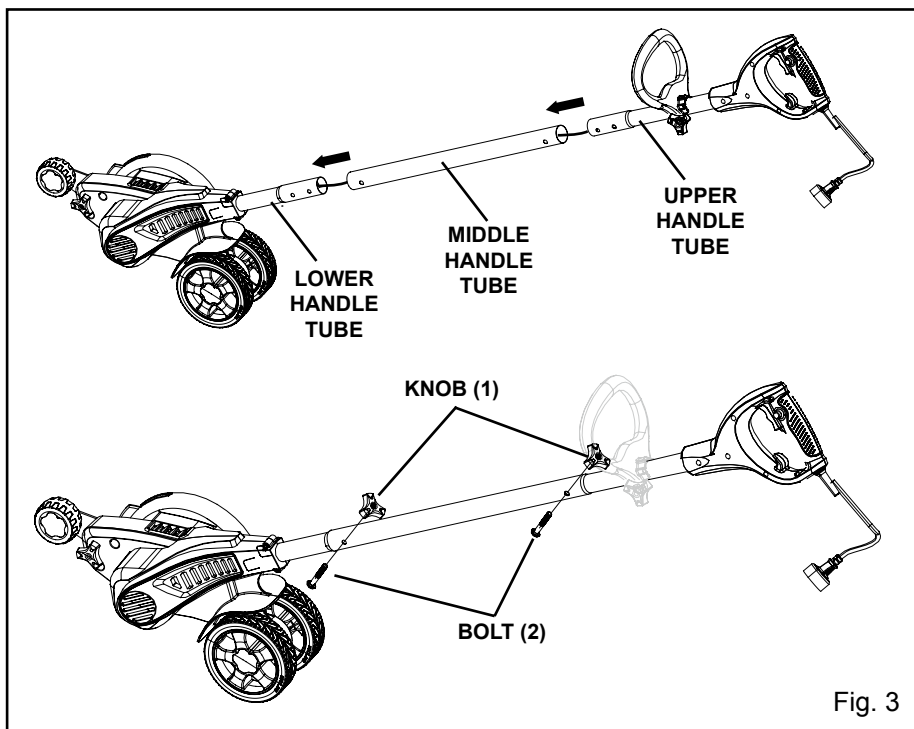


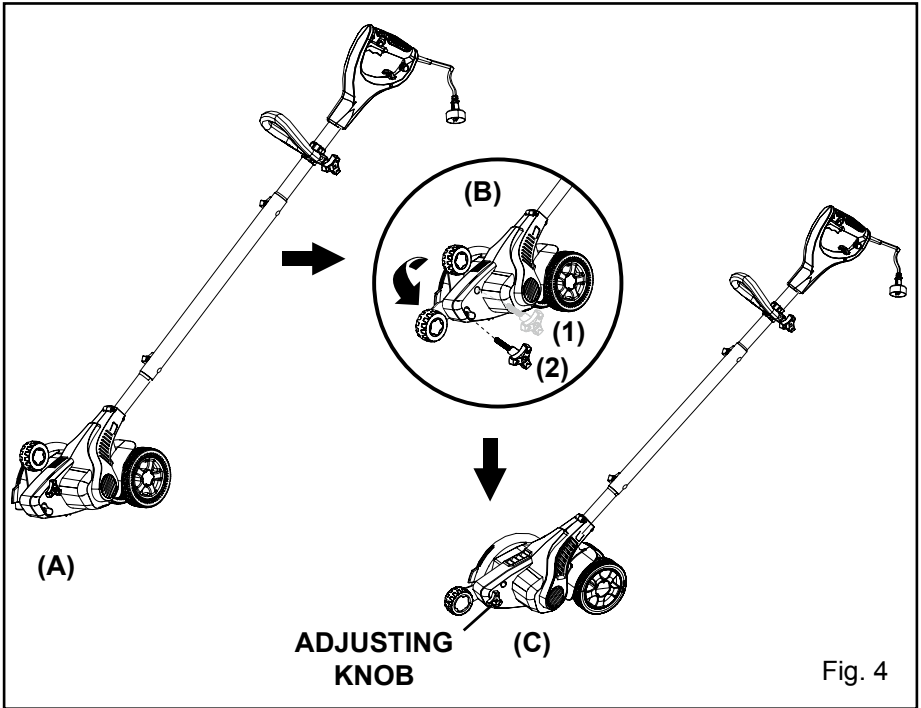
Fig. 3

ASSEMBLY

ASSEMBLING THE FRONT WHEEL (See Figure 4.)

Before using the edger, a one-time assembly is required. When removed from the box, the front wheel is as shown below (A).

1. Screw off the adjusting knob from the hole (1).
2. Put down the front wheel.
3. Insert the adjusting knob into the hole (2) and tighten it.



ASSEMBLY

⚠ WARNING

Do not allow familiarity with this product to make you careless. Remember that a careless fraction of a second is sufficient to inflict serious injury.

⚠ WARNING

Always wear safety goggles or safety glasses with side shields when operating power tools. Failure to do so could result in objects being thrown into your eyes, resulting in possible serious injury.

⚠ WARNING

Do not use any attachments or accessories not recommended by the manufacturer of this product. The use of attachments or accessories not recommended can result in serious personal injury.

APPLICATIONS

You may use this product for the purpose listed below:

- Edging around walkways, driveways, curbs, and flower beds
- Trenching

CONNECTING TO POWER SUPPLY (See *Figure 5*.)

This product is designed with a cord retainer that prevents the extension cord from being pulled loose while using.

- Form a loop with the end of the extension cord.
- Insert loop portion of extension cord through opening in the bottom of the rear handle and place over cord retainer.
- Slowly pull loop against cord retainer until the slack is removed.
- Plug product into extension cord.

NOTE: Failure to remove all excess cord slack from extension cord retainer could result in plug loosening from receptacle.

OPERATION

STARTING AND STOPPING (See Figure 5.)

To start the motor:

- Plug the edger into an AC power outlet.
- Press and hold the Lock-off button and squeeze the switch trigger. The edger will stay ON as long as the trigger switch is squeezed.

To stop the motor:

- Release the switch trigger.
- Allow at least 5 seconds for blades to stop rotating.
- The edger will be locked OFF until you press the Lock-off button again.

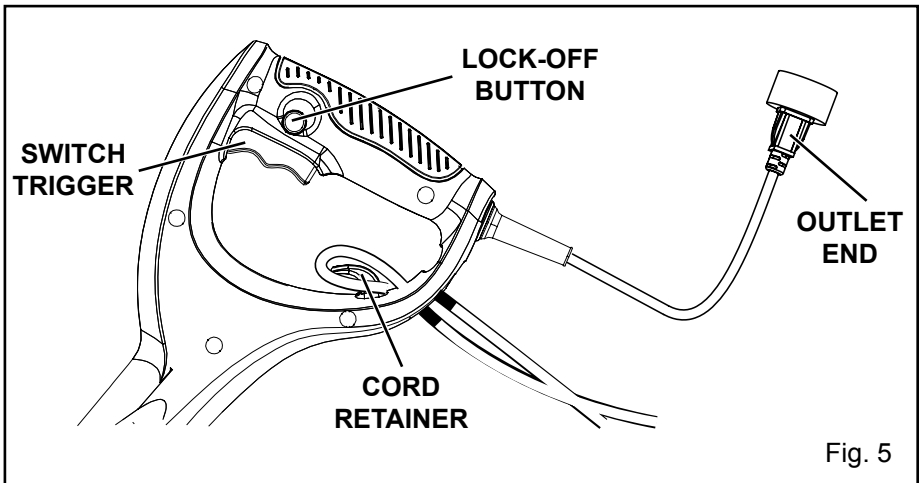


Fig. 5

OPERATION

POSITION AUXILIARY HANDLE (See Figure 6.)

- Rotate the knob counterclockwise to loosen.
- Adjust the auxiliary handle to the desired position.
- Rotate the knob clockwise to secure.

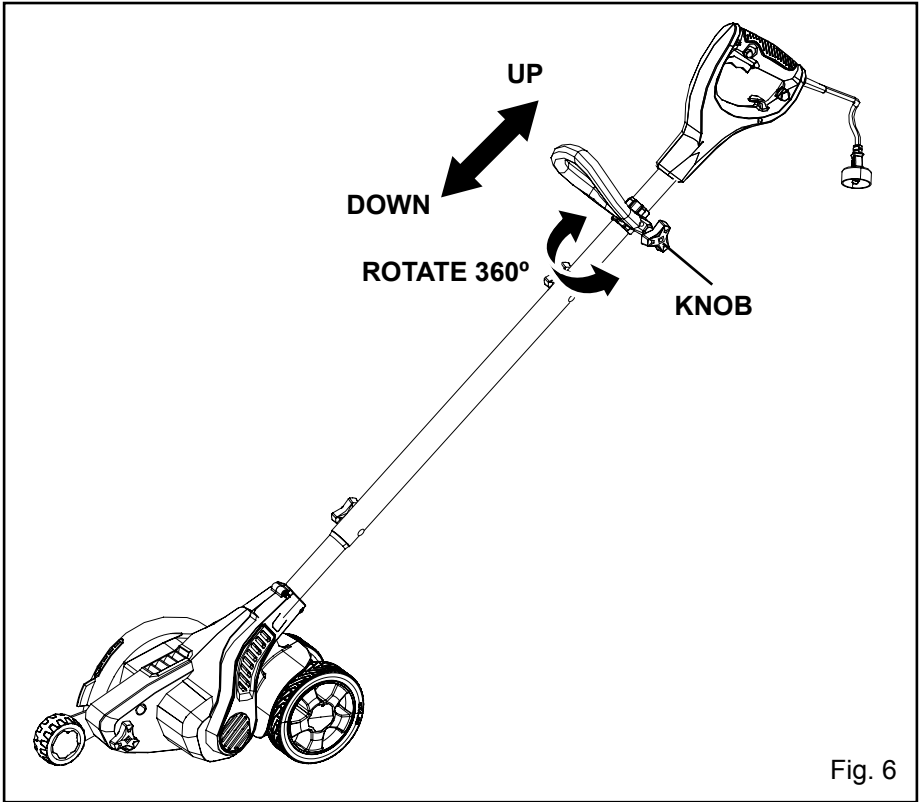


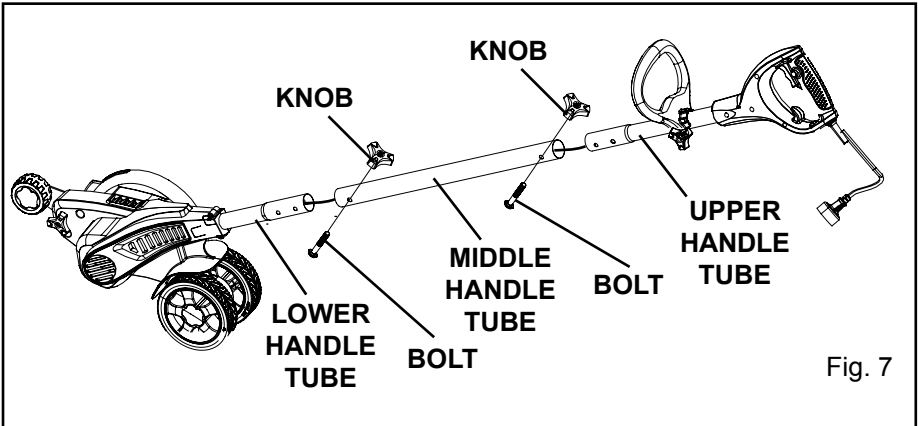
Fig. 6

OPERATION

ADJUSTING POLE HEIGHT (See Figure 7.)

- Disconnect the edger from the power supply.
- Rotate the knobs counterclockwise to loosen.
- There are two positions available on both upper handle tube and lower handle tube for adjustment to your preferred height setting.
- Fasten handle tubes together with the knob and bolt to secure.

NOTE : Adjust hand placement on the shaft of the edger to keep proper balance. Do not attempt to use the edger at a length which does not allow you to achieve proper footing and balance at all times.



OPERATION

ADJUSTING DEPTH OF CUT (See Figure 8-9.)

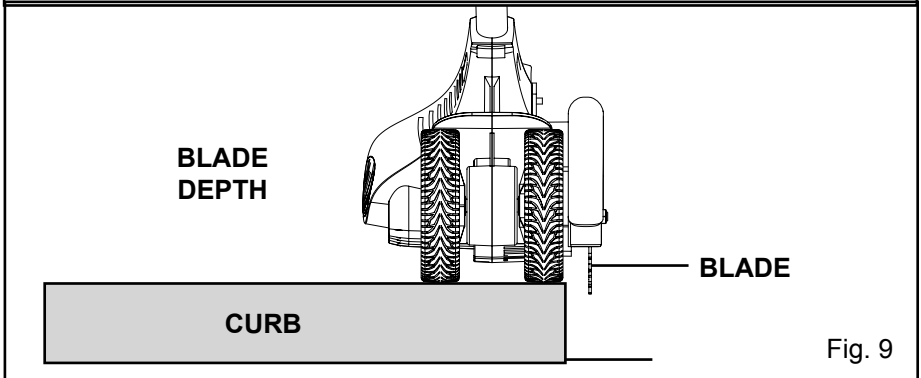
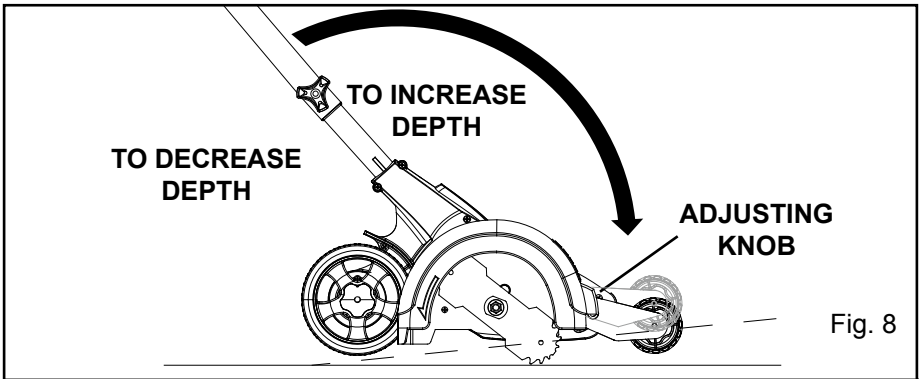
The front wheel can be adjusted to allow a deeper or shallower cut, and to increase the life of the blade. Change the edging depth from the shipping position to your desired depth by:

- Wait for blade to come to a complete stop.
- Turn the Adjusting Knob.
- Loosen the adjusting knob and move the wheel up to increase the depth or down to decrease the depth.
- After adjustment is complete, tighten the adjusting knob securely.

NOTE: Adjust the blade depth from 1/2 in. to 1 in. deep initially. Make a shallow cut to test the cutting depth. If the cutting depth needs adjusting, this should be done progressively until the desired depth is reached. To increase blade life span, keep initial cutting depth at minimum and increase depth setting only as blade wears.

WARNING

Thick overgrowth may drag on the guard. Reduce cut depth to minimum to help reduce this affect.



OPERATION

OPERATING TIPS

NOTE: *The edger requires a lot of power and should not be operated simultaneously with other tools or utilities on the same household circuit.*

- Set initial cut depth at 1" and set edge guide to the down position.
- Before starting the edger line up the tool so the edger guide rests against the edge of the paved surface. Both rear wheels should be on the paved surface when edging.

NOTE: *When there is heavy overgrowth of grass over the paved surface it may drag the guard. An initial cut may require reducing the depth at cut.*

- To avoid kickback, push the handle down so the blade is above the guard.
- Turn switch ON and allow blade to spin without moving tool.
- Slowly lift the handle to lower the blade. Find the edge of the paved surface and start edging. Then move tool forward slowly along edge of paved surface, keeping the edge guide pressed lightly against the pavement edge.

For the first edging of each season, it is best to move forward slowly because early in the season grass is thickest. Subsequent edging will be completed more rapidly. If the tool slows down, back it up an inch or two until the blade comes up to normal speed. During edging some sparks may be generated from hitting stones. This is normal. Do not attempt to edge when the grass or soil is wet or moist for electrical safety and to prevent clogging of the blade chamber. If you must edge under conditions that cause the blade chamber to become clogged, release trigger, wait for blade to come to complete stop, UNPLUG TOOL, open door and remove clogged material with a stick. To continue to operate the tool in a clogged condition will seriously overload the motor.

CAUTION

Do not attempt to unclog the blade chamber by dropping or tapping the tool on the ground. This can damage the unit. Keep hands clear of the edge guide and blade when cleaning as these wear to a very sharp point during edging.

WARNING

Make sure that other people and pets are at least 100' away from the work area.

WARNING

Before landscaping or trenching, inspect and ensure there are no exposed or buried cables, pipes or other objects that may create a hazard or interfere with operating the edger. Set depth to only that required for the job. Do not overload. If tool slows down, back up slightly and wait until blade comes back up to normal speed.

MAINTENANCE

WARNING

When servicing, use only identical replacement parts. Use of any other parts may create a hazard or cause product damage.

WARNING

Always wear safety goggles or safety glasses with side shields during power tool operation or when blowing dust. If operation is dusty, also wear a dust mask.

WARNING

Before inspecting, cleaning or servicing the unit, stop the motor, wait for all moving parts to stop, and disconnect from power supply. Failure to follow these instructions can result in serious personal injury or property damage.

GENERAL MAINTENANCE

Avoid using solvents when cleaning plastic parts. Most plastics are susceptible to damage from various types of commercial solvents and may be damaged by their use. Use clean cloths to remove dirt, dust, oil, grease, etc.

WARNING

Do not at any time let brake fluids, gasoline, petroleum-based products, penetrating oils, etc., come in contact with plastic parts. Chemicals can damage, weaken, or destroy plastic, which may result in serious personal injury.

Stop the motor and unplug the edger whenever you leave the operating position. Unplug the edger before unclogging the blade guard or when making a repair, adjustment, inspection, etc.

Keep all nuts, bolts, and screws tight.

You can often make adjustments and repairs described here. For other repairs, have the product serviced by an authorized service dealer.

WARNING

Do not attempt to sharpen blade. Failure to heed this warning could result in serious personal injury or property damage.

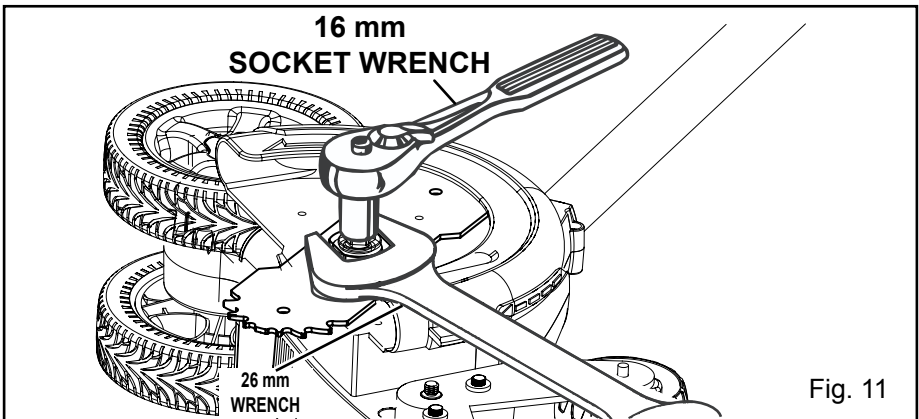
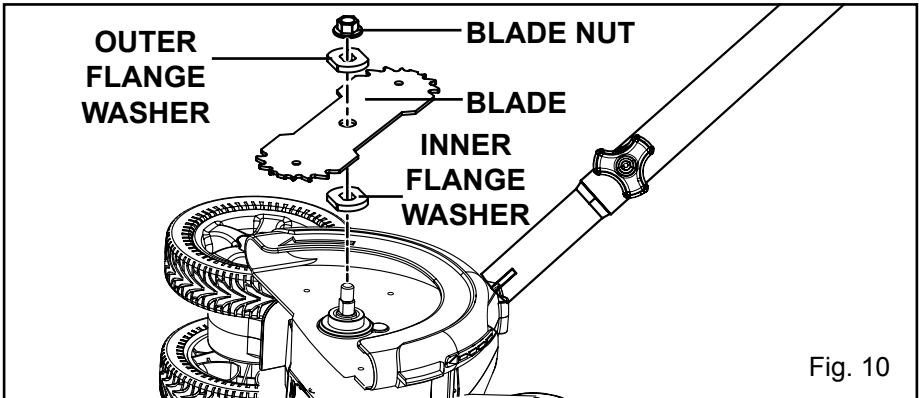
MAINTENANCE

REPLACING THE BLADE (See Figures 10 - 11.)

Replace blades that are damaged or worn. To increase blade life span, keep initial cutting depth at minimum and increase depth setting only as blade wears.

- Stop the motor and unplug the edger.
- Using a 26 mm wrench, hold the inner flange washer.
- Using a 16 mm socket wrench, turn the blade nut counter-clockwise to loosen.
- Remove blade nut, outer flange washer, blade, and inner flange washer.
- Reinstall the inner flange washer onto the edger shaft.
- Center the new blade on the inner flange washer, making sure the blade sits flat.
- Install the outer flange washer onto the edger shaft.
- Using a 26 mm wrench, hold the inner flange washer.
- Install the blade nut onto the edger shaft.
- Using a 16 mm socket wrench, turn the blade nut clockwise and tighten securely.

NOTE: Always make sure the blade is correctly installed and securely fastened before each use.



MAINTENANCE

STORING THE EDGER

- Be sure the tool is unplugged.
- Remove and clean any debris from the outside of the edger and inside of the guard before storage. If necessary, the edger may be stored by hanging on a hook by the handle.
- Clean all foreign material from the edger.
- Store it in a place that is inaccessible to children.
- Keep away from corrosive agents such as garden chemicals and de-icing salts.

CAUTION: DO NOT HANG EDGER BY THE TRIGGER OR POWER CORD.

NOTE: Do not store the tool near fertilizers or chemicals. Such storage can cause rapid corrosion.

TROUBLESHOOTING

PROBLEM	POSSIBLE CAUSE	SOLUTION
Motor fails to start when switch trigger is depressed.	1. Power cord is not plugged in or connection is loose.	1. Plug in the power cord.
	2. Household circuit breaker is tripped.	2. Check circuit breaker.

WARRANTY



GREENWORKS™ hereby warrants this product, to the original purchaser with **proof of purchase**, for a period of four (4) years against defects in materials, parts or workmanship. GREENWORKS™, at its own discretion will repair or replace any and all parts found to be defective, through normal use, free of charge to the customer. This warranty is valid only for units which have been used for personal use that have not been hired or rented for industrial/commercial use, and that have been maintained in accordance with the instructions in the owners' manual supplied with the product from new.

ITEMS NOT COVERED BY WARRANTY:

1. Any part that has become inoperative due to misuse, commercial use, abuse, neglect, accident, improper maintenance, or alteration; or
2. The unit, if it has not been operated and/or maintained in accordance with the owner's manual; or
3. Normal wear, except as noted below;
4. Routine maintenance items such as lubricants, blade sharpening;
5. Normal deterioration of the exterior finish due to use or exposure.

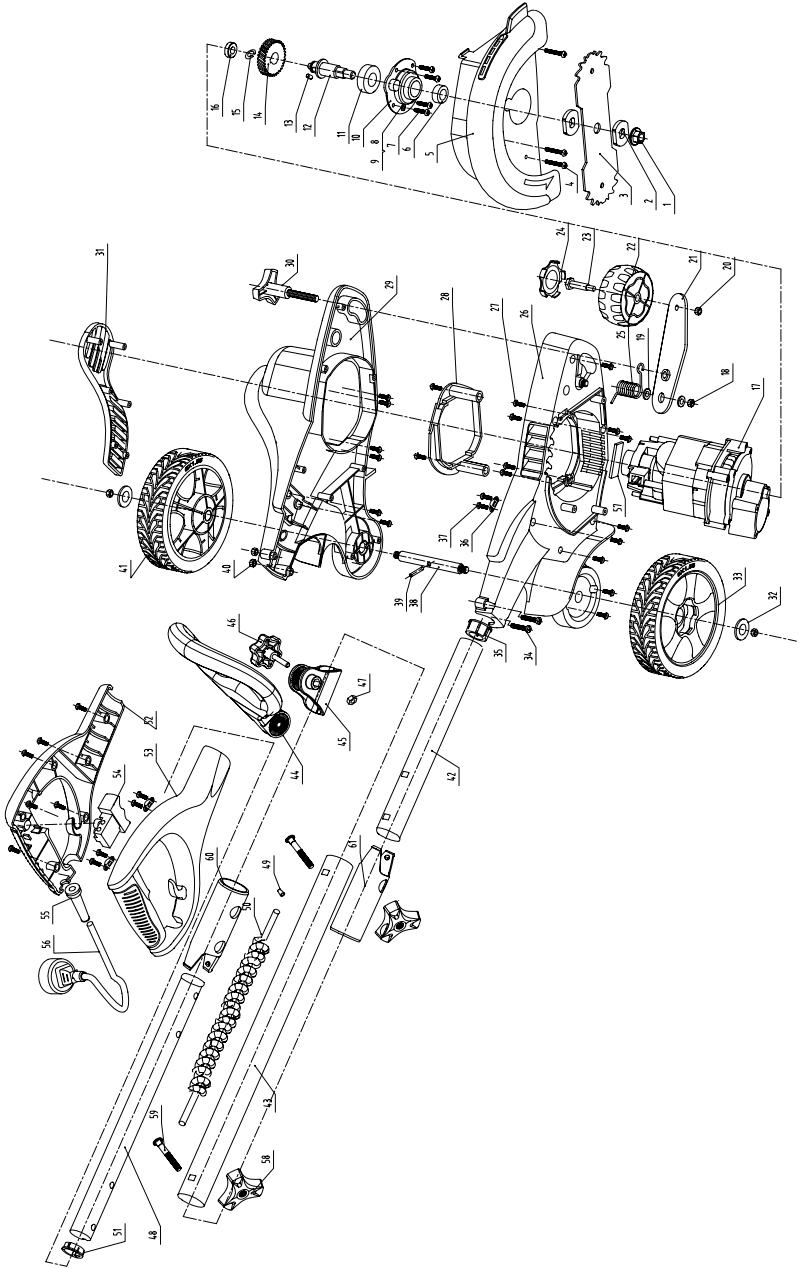
GREENWORKS HELPLINE (1-888-90WORKS):

Warranty service is available by calling our toll-free helpline, 9am to 5pm EST. Monday – Friday at **1-888-909-6757 (1-888-90WORKS)**.

TRANSPORTATION CHARGES:

Transportation charges for the movement of any power equipment unit or attachment are the responsibility of the purchaser. It is the purchaser's responsibility to pay transportation charges for any part submitted for replacement under this warranty unless such return is requested in writing by GREENWORKS

EXPLODED VIEW



PARTS LIST

ITEM NO.	PART NO.	DESCRIPTION	QTY
1	3221037	Bolt	1
2	3330418A	Board	2
3	33301261	Blade	1
4	3220351	Bolt	3
5	34103263-1	Blade cover	1
6	34908261	Seal ring	1
7	3220811	Bolt	4
8	3290305	f lat washer	4
9	3290675	Washer	4
10	33103261	Transmission cover	1
11	32109261	Bearing	1
12	33208261	f ix shaft	1
13	32902261	f lat key	1
14	33508261	Gear wheel	1
15	3290448	Washer	1
16	32108261	Bearing	1
17	36101263-1	Motor	1
18	32208261	Nut	3
19	3220898	Washer	1
20	32907152	Nut	1
21	33303263	Adjust bar	1
22	34119263-1	3" front wheel	1
23	33203263	pillar	1
24	3411799C	Wheel cover	3
25	33401263	Torsion	1
26	34102263-1	Right housing	1
27	3220505	Bolt	30
28	34105263	Guard	1
29	34101263-1	Left housing	1
30	34110263	Lock turn cap	1
31	34104263-1	o utlet cover	1
32	33304261	Washer for shaft	3
33	3411799-4	6" wheel assembly	1
34	3220552	Bolt	2
35	34113263	lower collar	1
36	3410302	Cord clip	3
37	3220905	Screw	3
38	33202263	Rear wheel shaft	1
39	32988261	Pin	1
40	32204100	Nut	1
41	3411799-3	6" left wheel assembly	1
42	33301263-1	Lower tube	1

PARTS LIST

ITEM NO.	PART NO.	DESCRIPTION	QTY
43	33302262-1	Middle tube	1
44	3110182-6	Auxiliary handle assembly	1
45	34101266	Lock tube for auxiliary handle	1
46	3110282-6	Turn cap for auxiliary handle	1
47	3290205	Nut	1
48	33301262-1	u pper tube	1
49	36511154	Connector cap	2
50	36901263	Wire	1
51	34115263	u pper collar	4
52	34106263-1	Left handle	1
53	34107263-1	Right handle	1
54	36301263-1	Switch	1
55	3420102-1	Retainer	1
56	36401263	Power cord	1
57	34901263	Sponge	1
58	3410835-6	Turn cap	2
59	3220436	Bolt for handle	2
60	34120263	Inner tube	1
61	34120263	Inner tube	1



TOLL-FREE HELPLINE: 1-888-90WORKS (888.909.6757)

Rev: 00 (12-10-09).



Printed in China on 100% Recycled Paper