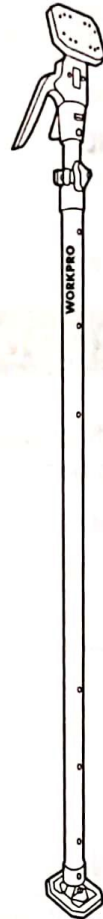


W004709A
W081222A

WORKPRO

OPERATOR'S MANUAL TELESCOPIC QUICK SUPPORT POLES



USE PRECAUTION
For your safety



**INSTRUCTION
MANUAL**
Read and understand



EYE PROTECTION
Must be worn



PROTECTIVE GLOVES
Must be worn when
assembly



CAUTION: Read and follow all Safety Rules and Operating instructions before first use of this product.
NOTE: Ensure all components are present. If any components are missing, do not proceed with assembly. Please send an email to service@greatstartools.com or call 877- 876-7562.

SAVE THIS MANUAL FOR FUTURE REFERENCE



Distributed by:
Hangzhou GreatStar Industrial Co., Ltd.
No.35 Jiujuan Road, Jiubao Town,
Hangzhou 310019, China
www.greatstartools.com
MADE IN CHINA

TABLE OF CONTENTS

Introduction	2
Safety Information	3
Specifications	3
Package Contents	4
Operation	5-7
Cleaning and Storage	8
Customer Service	8

FOR YOUR SAFETY: CAREFULLY READ AND UNDERSTAND ALL INSTRUCTIONS BEFORE USE.

INTRODUCTION

This support pole is intended for lots of woodworking projects such as a cabinet jack, drywall jack, crown moldings, range hood, ratcheting cargo bar support pole and so on.

SAFETY INFORMATION

⚠ WARNING!

- This tool is not suitable for lifting, pulling or support for material being transported.
- Do not use auxiliary tools to assist in achieving desired force.
- Improper use of this tool can cause personal injuries or material damage.
- Proper cleaning and handling practices are critical. Failure to follow user manual can result in equipment failure, creating a risk of serious bodily harm.
- Do not modify the clamp and do not use self-fabricated pieces.
- Always wear prescribed protective equipment when using any tool.

⚠ CAUTION!

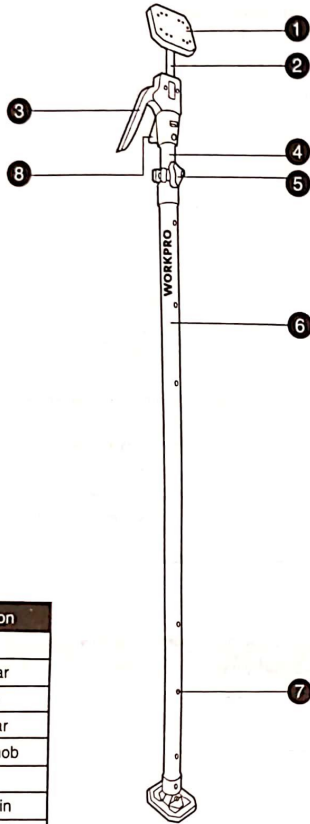
- Check the support pole before every use to make sure it is in perfect condition. If you notice any damage you may no longer use the support pole.
- Ensure that the support pole locking screw is always tightly fastened when under load and that both locking bolts are completely engaged.
- Only use the support pole on clean, non-slip and level ground and in a stable position.
- Never remain under supported loads.
- Only use the support pole for short-term erection and not for permanent propping of ceilings, beams etc.
- Please note that the support pole or the supporting material can be damaged by high pressure.
- Never place more than 154 lbs (70 kgs) payload on the support pole at an inclination of 90°. At a lower inclination, the max. load of the support pole is lowered significantly.
- Never use the support pole for purposes other than those described in these instructions.

SPECIFICATIONS

Adjustment range of support pole	49.2 - 114.2 in. (137 - 290 cm)
Maximum load capacity of support pole	154 lbs (70 kgs)

PACKAGE CONTENTS

Ensure all components are present. If any components are missing, do not proceed with assembly. Please send an email to service@greatstartools.com or call 877-876-7562.



Part	Description
1	Pad
2	Upper bar
3	Handle
4	Lower bar
5	Locking knob
6	Tube
7	Locking pin
8	Quick release lever

When unpacking the box, do not discard any packaging materials until all of the contents are accounted for:

- 2 x Support pole
- 1 x Storage bag
- 1 x User manual

OPERATION

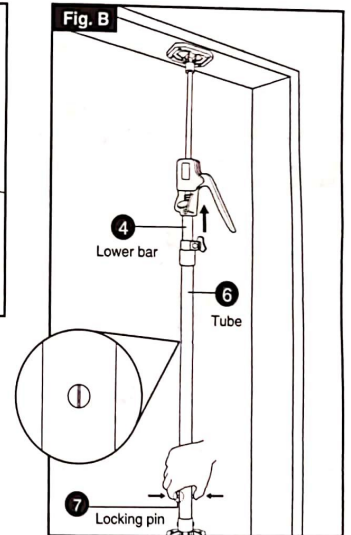
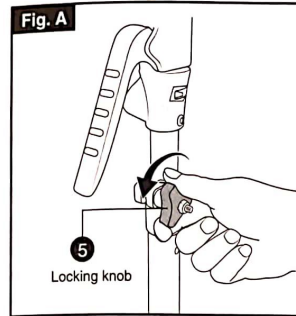
NOTE:

- Use support pole only on flat clean surfaces.
- Before each use inspect the entire support pole for any damage.
- Do not exceed the maximum load capacity for this support pole.

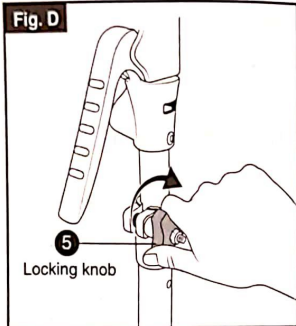
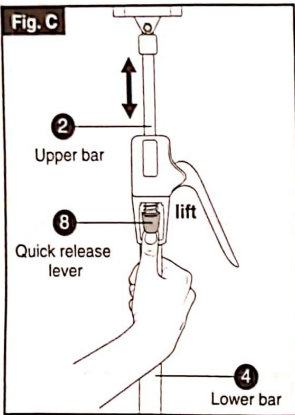
USE THE SUPPORT POLE

Coarse adjustment

- Loosen the locking knob (5) counterclockwise (Fig. A).
- Press two locking pins (7) at the same time to extend or shorten the lower bar (4) to desired length. Make sure the two locking pins (7) engage completely in the tube (6) detent using the red line marked on the lower bar (4) as an orientation aid. (Fig. B).
- If the length of the lower bar (4) is insufficient, lift the quick release lever (8) upwards and pull the upper bar (2) out or retract it to the required height (Fig. C).
- Re-tighten the locking knob (5) clockwise (Fig. D).

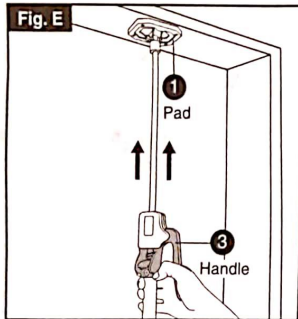


OPERATION



Fine adjustment

To make fine adjustments to the height, squeeze the handle (3) several times until the pad (1) is located firmly under the load to be supported (Fig. E).

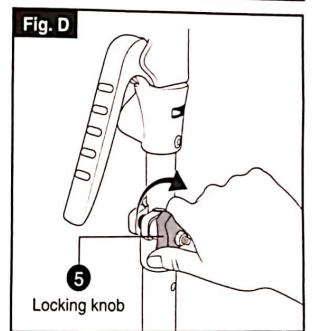
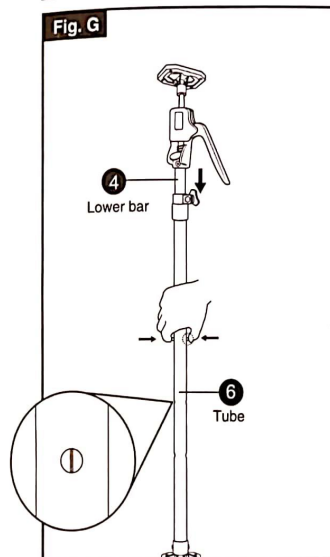
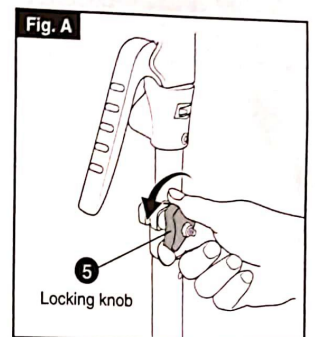
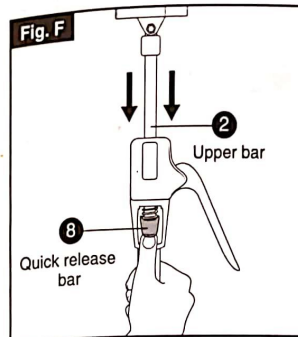


6

OPERATION

REMOVE THE SUPPORT POLE

- Lift the quick release lever (8) upwards until the upper bar (2) has been completely retracted (Fig. F).
- Loosen the locking knob (5) counterclockwise (Fig. A).
- Hold the tube (6) firmly with one hand and press the engaged locking pins (7) out of their detent and push the lower bar (4) back inside completely (Fig. G).
- Re-tighten the locking knob (5) clockwise (Fig. D).



7

CLEANING AND STORAGE

- Clean the support pole using a slightly damp cloth.
- Avoid contact with corrosive substances like acids, alkaline or similar substances.
- Store the support pole in a dry location and in a lying position so that it cannot fall over.

CUSTOMER SERVICE

If you are having difficulty in using this product and require support, please send an email to service@greatstartools.com or call 877-876-7562.