

# STANLEY®



## 1600 PSI ELECTRIC PRESSURE WASHER ASSEMBLY, CARE AND USE INSTRUCTIONS Model SHP 1600

READ CAREFULLY

**IMPORTANT:**  
RETAIN THESE INSTRUCTIONS AND ATTACH RE-  
CEIPT TO MANUAL FOR FUTURE REFERENCE.

ALWAYS WEAR EYE PROTECTION TO PREVENT  
INJURY TO EYES WHEN OPERATING THE POWER  
WASHER.



### Questions, problems, missing parts?

Before returning to your retailer, call our  
customer service department at 1-866-508-1330,  
8 a.m. - 5:00 p.m., CST, Monday - Friday.  
[www.stanleypressurewashers.com](http://www.stanleypressurewashers.com)

© 2016 Stanley Black & Decker, Inc.

STANLEY® and the STANLEY® logo are trademarks of Stanley Black & Decker, Inc.  
or an affiliate thereof and are used under license.

93902-KP

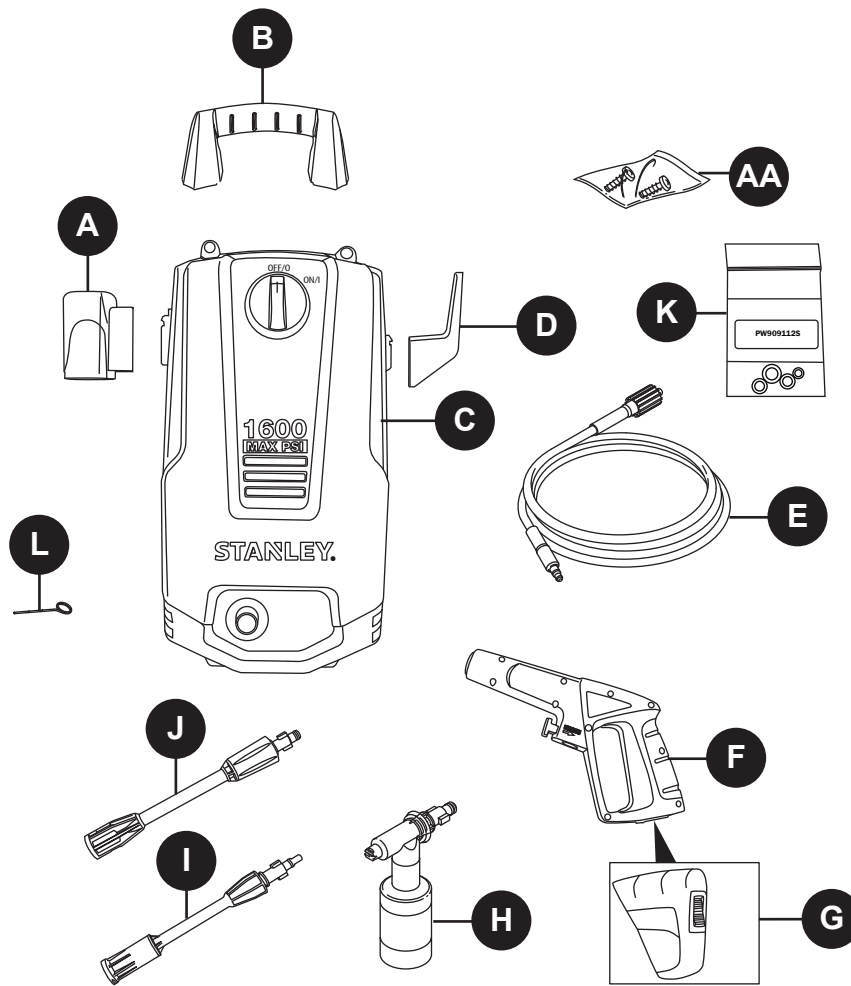
## TABLE OF CONTENTS

Product Specifications .....	2
Package Contents .....	3
Hardware Contents .....	3
Safety Information .....	4
Assembly Instructions .....	6
Operating Instructions .....	10
Care and Maintenance .....	12
Troubleshooting .....	14
Limited Warranty .....	15
Replacement Parts List .....	16

## PRODUCT SPECIFICATIONS

SPECIFICATIONS						
Model	Max PSI (lbs/sq. in.)	Max GPM (Gal/per min)	Cold Water	Volts	Amps	Weight (lbs.)
SHP 1600	1600	1.3	✓	120	12	15

## PACKAGE CONTENTS



PART	DESCRIPTION	QUANTITY
A	Spray Gun Holster	1
B	Handle	1
C	Power Washer Unit	1
D	Cord Hook	1
E	Soft PVC High Pressure Hose	1
F	Spray Gun	1
G	Spray Gun Lock/Unlock	1

PART	DESCRIPTION	QUANTITY
H	Detergent Bottle	1
I	Variable Spray Nozzle Lance	1
J	Extension Lance	1
K	O-Ring Replacement Kit	1
L	Nozzle Cleaning Wire	1
AA	Screws	2

## HARDWARE CONTENTS

AA



Screw  
Qty. 2

**Note:** Screws are located in manual package

## SAFETY INFORMATION

Please read and understand this entire manual before attempting to assemble, operate, or install the product.

This manual contains information that relates to PROTECTING PERSONAL SAFETY and PREVENTING EQUIPMENT PROBLEMS. It is very important to read this manual carefully and understand it thoroughly before using the product. The symbols listed below are used to indicate this information.



### **DANGER**

Potential hazard that **will result in serious injury or loss of life.**



### **WARNING**

Hazard that **could result in serious injury or loss of life.**



### **CAUTION**

Potential hazard that **may result in moderate injury or damage to equipment.**

**Note:** The word “Note” is used to inform the reader of something the operator needs to know about the tool.



### **WARNING**

To reduce the risk of injury, the user must read and understand the instructions before using this product.

1. Warning – When using this product basic, precautions should always be followed, including the following
2. Read all the instructions before using the product
3. Know how to stop the product and bleed pressures quickly. Be thoroughly familiar with the controls.
4. Keep operating area clear of persons
5. Do not overreach or stand on unstable support. Keep good footing and balance at all times.
6. Follow the maintenance instructions as specified in the manual
7. To avoid personal injury and/or damage to property and to maximize your power washing experience, carefully follow all of the safety tips, instructions, warnings and safeguards and become familiar with all of the controls.
8. This power washer conforms to CSA and other safety and consumer standards. **DO NOT** modify or rebuild any part of your power washer.

9. **DO NOT** use your power washer when you are under the influence of alcohol or drugs. Use this power tool carefully and only when you are alert.
10. Watch your balance and footing while using your power washer. Surfaces become slippery when wet and are extra slippery when using a detergent or cleaner.
11. **NEVER** operate the power washer in bare feet, sandals, or open-toed shoes.
12. When using the power washer near children, make sure they are closely supervised by an adult to avoid injury. **NEVER** let a child use the power washer.
13. Keep fingers, hands, feet and any part of your body clear of the stream of high pressure water. The powerful spray can cause blindness or blast holes in the skin. It can break a window if you are too close when you pull the trigger on the spray gun.
14. **ALWAYS** wear eye protection to prevent injury to eyes when operating the power washer.
15. To avoid mishaps or injury, **ALWAYS** use the trigger safety lock when not using the power washer even if the spraying stops for a moment.
16. The power washer is equipped with a Ground Fault Circuit Interrupter (GFCI) which greatly reduces the chance of electric shock while the unit is in use. If replacement of the plug or cord is needed, use only identical replacement parts.
17. Point the spray gun in a safe direction when beginning a power washing session.
18. **NEVER** spray directly at a person, animal, electrical device or the unit itself.
19. When first using the spray gun, hold the spray gun and lance with two hands when pulling the trigger (one hand to pull the trigger and the other to stabilize the gun assembly) until you get used to the “kickback” from the spray gun.
20. When you press the power switch to turn off the power washer, water pressure may remain in the system. To discharge the pressure, point the spray gun in a safe direction and pull the trigger.
21. **NEVER** spray flammable liquids.
22. **NEVER** use the power washer in areas that contain combustible dust, liquids or vapors.
23. Avoid contact of the pressure hose with sharp objects and examine the hose regularly. Replace if damaged. Due to the high pressure involved, it cannot be repaired if cut or damaged.
24. Only use detergent specifically formulated for power washers and follow instructions on the detergent’s label.
25. Protect eyes, lungs, and skin from exposure to

## SAFETY INFORMATION

detergent. Dish or laundry soap is too thick and will clog the nozzle of your detergent bottle.

**IMPORTANT:** Store the power washer indoors to prevent the water in the unit from expanding under freezing conditions. When the water freezes and expands, your power washer will be damaged and become inoperable. Or, if storing outdoors, it is recommended you use pump saver (not included) to protect pumps.

26. **NEVER** use hot water with your power washer. It will overheat and damage the high pressure pump.
27. **NEVER** leave the power washer unattended while it is powered "ON".
28. **ALWAYS** turn the water supply "ON " before turning the power washer power to "ON". Running the pump dry will cause damage to the internal components.
29. **NEVER** use a water supply to your power washer that exceeds 150 PSI maximum.

30. **NEVER** disconnect the high pressure hose from the power washer while the system is pressurized.
31. **NEVER** permanently engage the trigger mechanisms on the spray gun.
32. **NEVER** operate the power washer unless all components are properly and securely connected.
33. **NEVER** allow the power washer pump to run for more than one minute after you have turned off the water supply. This can cause the motor and pump to overheat and fail.
34. **NEVER** use lances or other parts that are not compatible for this specific Stanley unit.
35. **NEVER** use an extension power cord since it defeats the effectiveness of the GFCI and increases the chance of electrocuting the operator.
36. **NEVER** spray any electrical outlet with your power washer.
37. Inspect the power cord before using. **DO NOT** use it if it is damaged.

## KEEP THESE INSTRUCTIONS FOR FUTURE REFERENCE.

### Servicing of a Double-Insulated Appliance

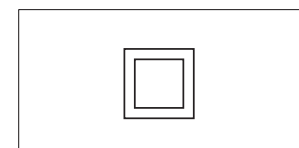
Ground Fault Circuit Interrupter Protection:

This pressure washer is provided with a ground-fault circuit-interrupter (GFCI) built into the plugs of the power-supply cord. This device provides additional protection from the risk of electric shock. Should replacement of the plug or cord become necessary, use only identical replacement parts that include GFCI protection.

In a double-insulated product, two systems of insulation are provided instead of grounding. Grounding means are not provided for a double insulated product, nor should grounding means be added to the product. Servicing a double-insulated product requires extreme care and knowledge of the system, and should only be done by qualified service personnel.

Replacement parts for a double-insulated product must be identical to the original parts.

A double-insulated product is marked with the words "Double Insulation" or "Double Insulated". Product may also be marked with symbol shown here.



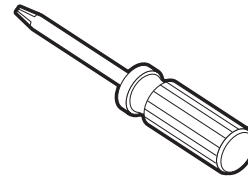
**Double Insolated Product**

## PREPARATION

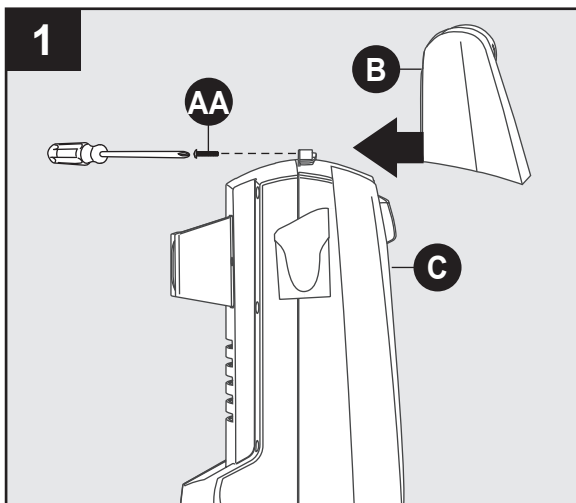
Before beginning assembly of product, make sure all parts are present. Compare parts with package contents list and hardware contents list. If any part is missing or damaged, DO NOT attempt to assemble the product.

Estimated Assembly Time: 5 minutes

Tools Required for Assembly (not included): Phillips screwdriver



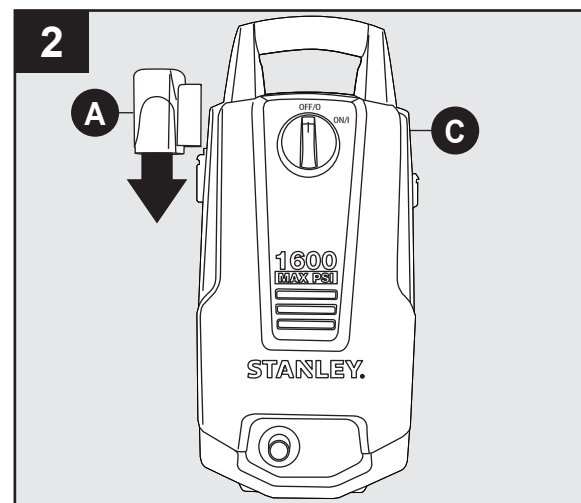
## ASSEMBLY INSTRUCTIONS



### Power Unit Assembly

Install handle (B) to power washer unit (C). Secure with screws (AA).

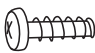
**Note: DO NOT** use a power screwdriver. When the screw is completely tight, give a small final clockwise twist of the screwdriver. **DO NOT** overtighten.



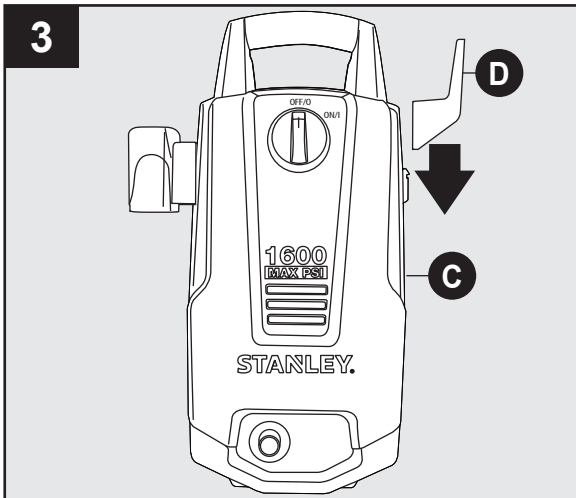
Slide spray gun holster (A) onto left side, when facing unit, of power washer unit (C) as shown.

**Note:** This step does not require any screws.

### Hardware Used:

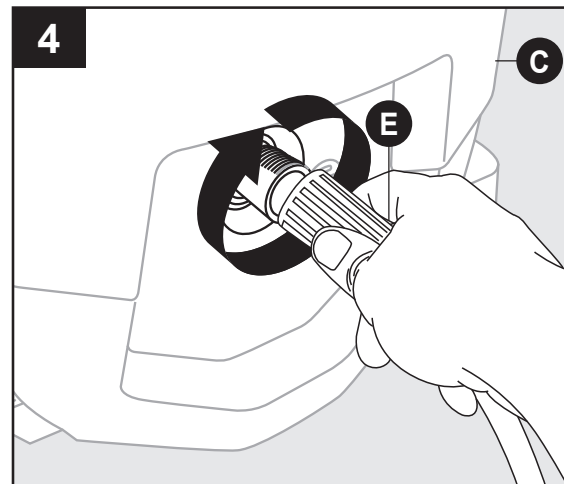
**AA** Screw  x 2

## ASSEMBLY INSTRUCTIONS



Slide cord hook holster (D) onto right side, when facing unit, of power washer unit (C) as shown.

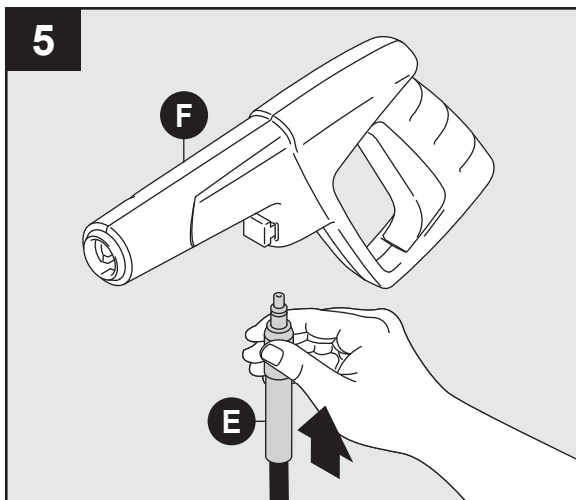
**Note:** This step does not require any screws.



### Soft PVC High Pressure Hose Assembly

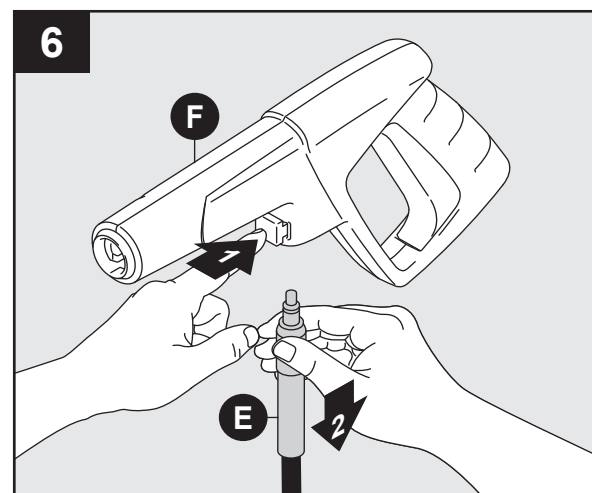
Screw Soft PVC high pressure hose (E) clockwise onto bottom front of power washer unit (C). Pull back collar and insert o-ring post into water outlet far enough so collar can thread onto outlet threads until hand tight. If it takes fewer than six turns you have not properly tightened the Soft PVC high pressure hose fitting. It is easier to position the power washer in front of you to ensure that the threads are started correctly. Failure to properly tighten Soft PVC high pressure hose will result in the hose slipping or popping off immediately upon turning unit on. Do not worry about damage if this occurs—just reinstall and take extra care when screwing on the Soft PVC high pressure hose fitting.

**Note:** **DO NOT** use pliers or locking pliers to tighten.



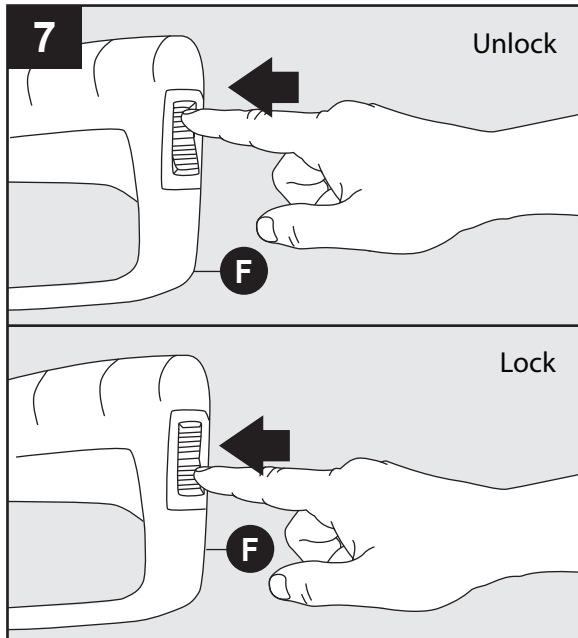
Connect the other end of Soft PVC high pressure hose (E) to spray gun (F) by inserting the silver metal tip of Soft PVC high pressure hose into the fitting just ahead of trigger guard. It will lock into spray gun with a "click". Confirm hose is locked into spray gun by slightly pulling on hose. The hose is now securely attached to spray gun.

**Note:** **DO NOT** press button on underside of gun when connecting hose to gun.



To release hose (E) from spray gun (F), press button on underside of gun toward trigger guard. The hose will slide out from connection.

## ASSEMBLY INSTRUCTIONS

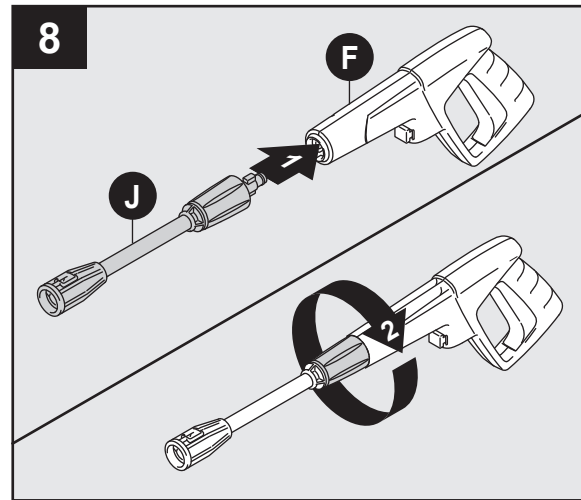


### Locking Spray Gun (before Lance installation)

To lock trigger of spray gun (F), point gun away from you and press bottom half of lock button to engage lock. Squeeze or pull trigger to make sure it is locked.

**ALWAYS** leave lock button in locked position when not in use. This ensures the gun is in "safe" mode until it is ready for use. To unlock, press top half of lock button to release.

**Note:** The trigger lock prevents trigger from being accidentally engaged.



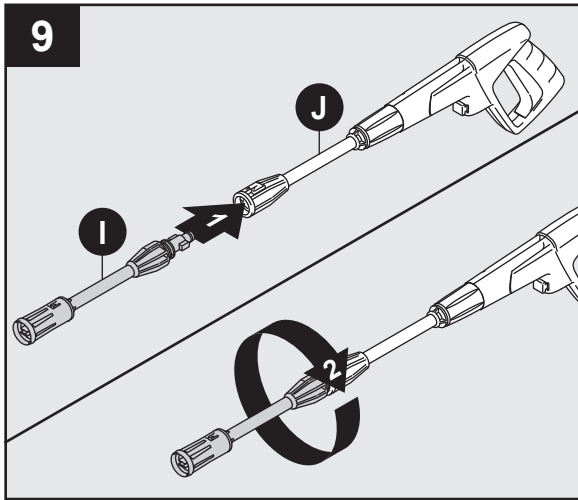
### Extension Lance installation

With spray gun (F) in locked position, attach extension lance (J) directly to spray gun. Insert lance extension into gun, pushing together and turning clockwise simultaneously. Turn the extension collar clockwise to lock into place. To remove extension lance (J), turn extension collar counterclockwise to unlock, then push together and turn counterclockwise to release.

**Note:** The extension lance must be inserted in gun before using any of the other attachments, and in place for storage. It is recommended that once extension is connected to leave it in place.



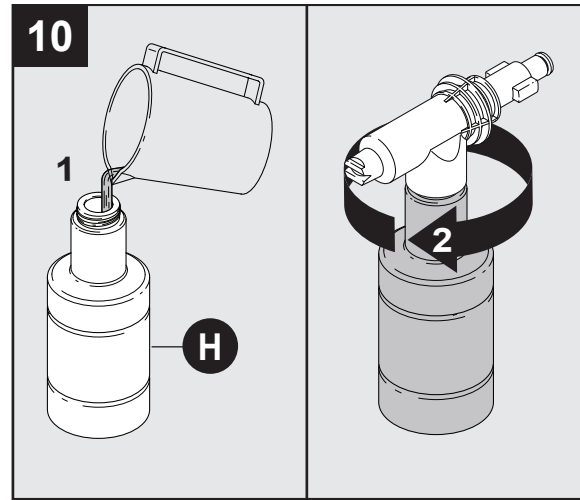
## ASSEMBLY INSTRUCTIONS



### Variable Spray Nozzle Lance installation

Insert variable spray nozzle lance (I) or detergent bottle (H) into the end of the extension lance by inserting and pushing together turning clockwise simultaneously. To remove push together and turn counterclockwise.

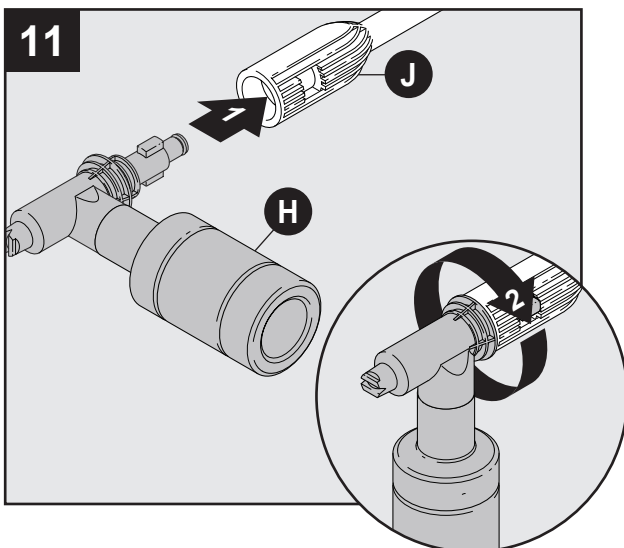
**Note:** Push the safety lock button to lock the trigger when changing lances to ensure that they do not accidentally eject with force during removal.



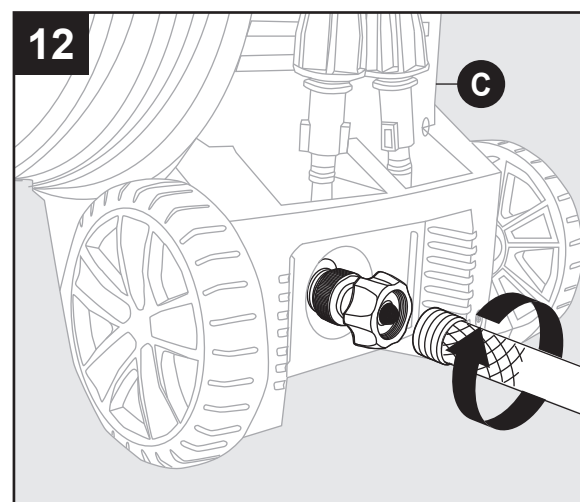
### Detergent Bottle Installation

The detergent bottle comes with a straw which is fitted into screw-on top. If you do not see the straw, look inside the bottle and attach it to the screw-on top. When using detergent bottle, fill it with a properly formulated detergent or cleaner with a water ratio according to instructions on the container.

- Pressure washer detergents are recommended. See page 13 for more information.
- **DO NOT** use thick or gel-like detergents as they will clog the power washer and can cause damage.



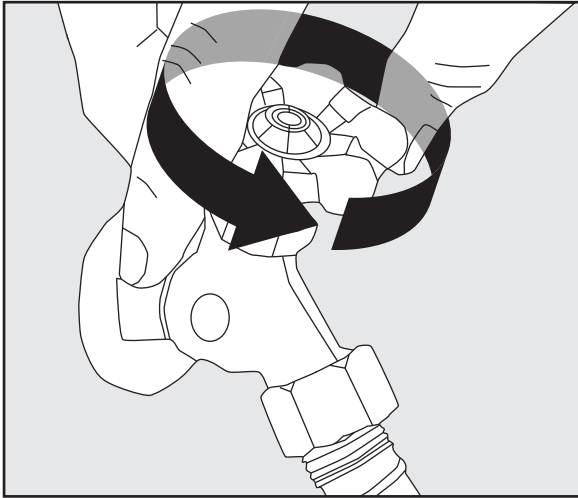
Insert detergent bottle (H) into extension lance (J), push in and turn clockwise



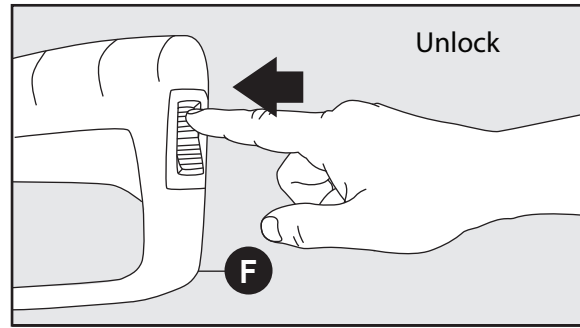
Attach a garden hose to built in garden hose adapter located on the back of the power washer unit (C). The water is now connected to your power washer.

**Note:** Flush out garden hose before connecting to garden hose adapter.

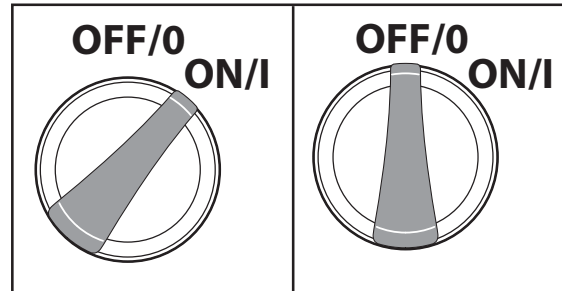
## OPERATING INSTRUCTIONS



- Turn on water supply at the faucet to completely open.
- Make sure the "ON/OFF" switch is in the "OFF" position. The power switch has international symbols for 'on' and 'off': On (I) Off (O).
- Unwind the power cord completely and plug the GFCI into a grounded 120 volt outlet.
- Release the safety lock button on the spray gun by pressing the top half of the safety lock button. While pointing the spray gun in a safe direction, squeeze the trigger on the spray gun until there is a steady stream of water, letting the water and air out of the hose.

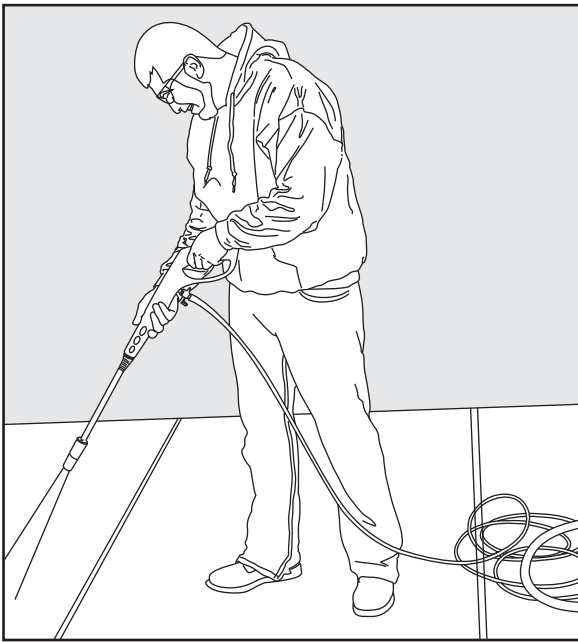


- Turn the power switch to the "ON" (I) position. The unit will turn on for 1 - 2 seconds and shut off. This is a normal function of the auto start feature. Squeeze the spray gun trigger to begin pressure washing.



## OPERATING INSTRUCTIONS

- Begin power washing by squeezing the trigger on the spray gun all the way into the handle.
- Release the spray gun trigger to stop the power washer.
- Allow the motor to come to a complete stop before squeezing the trigger again.
- Squeezing rapidly will cause the auto start feature to miss an on/off cycle that may prevent it from turning on while squeezing trigger after rapid squeezing. Use slow deliberate trigger pulls to avoid such symptoms.



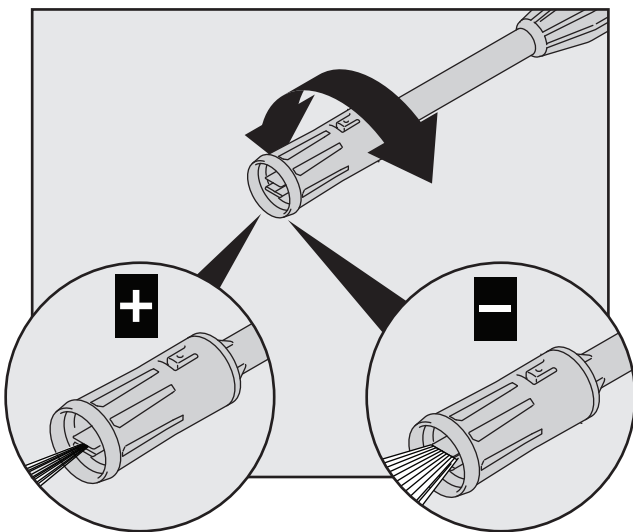
### Operation Tips

- If you hear the motor run intermittently when the trigger is not being squeezed, that is normal. The pump is priming itself so it is ready to operate when the trigger is squeezed. Turn off the power washer if not being used after five minutes.
- The o-rings on the bayonet end of the nozzle should be cleaned regularly and lubricated with non-water soluble grease such as petroleum jelly.
- Keep the nozzle cleaning wire for use in unclogging the nozzle. If you lose the cleaning wire, a straightened paper clip also works.

### How to Avoid Damaging Surfaces

- Damage to surfaces being cleaned occurs because the impact force of the water pressure exceeds the durability of the surface. Bare wood can be penetrated; paint can be peeled off, etc. You can vary the force of your power washer by controlling:
  1. The angle of the surface being cleaned
  2. The distance of the nozzle from the surface being cleaned
- **NEVER** use a narrow high pressure stream of water on soft surfaces susceptible to damage.

- **Always test** a small area to avoid chance of damaging the surface.



- When using the variable spray nozzle, the spray pattern and intensity can be adjusted for each task by twisting the spray nozzle at the far end of the lance.

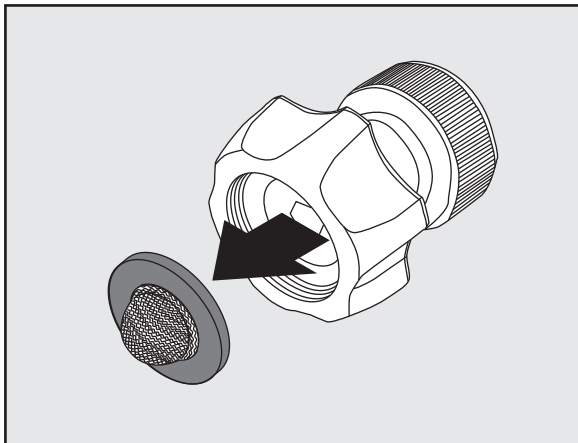
## CARE AND MAINTENANCE

### Detergents

- Use detergents designed for power washers. These can be purchased online at our website [www.stanleypressurewashers.com](http://www.stanleypressurewashers.com). Hardware stores or home centers also have power washer detergents for different cleaning projects. The cleaning solution should be the consistency of water in order to prevent clogging your detergent bottle and nozzle.
- This system applies detergent under low pressure. The cleaning power of the detergents is enhanced when applied with low pressure and enough time is given to break down dirt and grime. The combination of low pressure and chemical action is very effective and can be better than scrubbing if applied properly. ALWAYS spray detergent on a dry surface. DO NOT pre-soak area. Wetting the surface first dilutes the detergent and reduces its cleaning ability. DO NOT allow detergent to dry on surface. On vertical surfaces being cleaned, apply detergent to lower surfaces and work your way up to prevent detergent from causing streaks in the dirt and grime. Rinse detergent by pressure washing from bottom up for same reason.
- If a stain is particularly tough, it may be necessary to reapply the detergent and use a bristled brush to scrub the stain. Subsequent power washing after brushing should successfully complete your cleaning job.

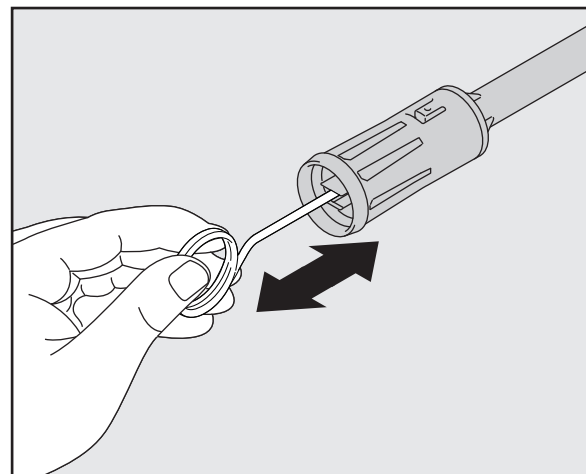
### Cleaning Garden Hose Adapter

- The screens inside the adapter should be cleaned periodically. Rinse it with clean water, and then place it back in the adapter.



### Cleaning Nozzles

- A clogged or partially clogged nozzle can cause significant reduction of water pressure coming out of the nozzle and/or cause the unit to pulsate while spraying.
- Turn off the unit.
- Turn off the water supply to the unit.
- Relieve any pressure trapped in the hose by squeezing the trigger 2-3 times, and then lock the spray gun by pushing the lock button from left to right.
- Remove the lance from the extension lance
- Take off the variable spray nozzle lance. Rotate the nozzle to narrow the stream setting which opens up the fan blades
- Using the nozzle tip cleaner provided (or an unfolded paper clip), insert the wire into the nozzle hole and move back and forth until debris is dislodged.
- Tap quick connect end of lance on hard surface several times
- Back flush water through the nozzles using garden hose and highest pressure available (either standard water nozzle or use your thumb over the nozzle to create water pressure for back flush).





## CARE AND MAINTENANCE

### Storage

- When your pressure washing session has been completed, turn off the power switch located on the front of the power washer. Unplug the power cord from the outlet. Turn off the water supply. Pull the trigger on the spray gun 2-3 times to drain out the excess water and to release any remaining water pressure. Disconnect the garden hose adapter from the water inlet. **DO NOT** allow the power washer to run with no water flowing through it.
- Remove detergent bottle and clean completely. Residual chemical will stick to the container and can cause the detergent injector to clog and not function properly.
- Remove high pressure hose from spray gun.
- Remove lance from the gun. Place the gun in the holder on the side. Lances are placed into any of the slots in the back of the unit. Make sure to discard any remaining detergent from the bottle. Flush the bottle and nozzle head with fresh water to prevent clogging.
- Hook the power cord around the cord hook on the right side of the machine when facing it.

## TROUBLESHOOTING

If you have any questions regarding the product, please call customer service at 1-866-508-1330.

PROBLEM	CORRECTIVE ACTION
Unit will not turn on.	<ol style="list-style-type: none"> <li>1. The GFCI module on the end of the power cord must be plugged directly into an outlet.</li> <li>2. Do not use an extension cord.</li> <li>3. With the GFCI Connected make sure the power switch is turned on.</li> </ol> <p><b>Note:</b> When power switch is turned on, the power washer will turn on by itself for 1-2 seconds and shut off. This is normal.</p>
The high pressure (HP) hose will not connect/stay connected to the spray gun. Is this a spray gun problem?	<ol style="list-style-type: none"> <li>1. In most cases, the spray gun is not the problem. The problem is the rubber sleeve covering the fitting at the end of the high pressure hose. It has likely slipped up toward the metal tip. To fix: wiggle, twist and/or pull the rubber sleeve down until the entire tip is visible plus an 1/8 in. of the metal fitting below the tip. Now try to insert the hose tip into the spray gun. It should "click" into place and will not come out until the hose is released by pushing in the lever on the underside of the gun. You may cut away the end of the sleeve with a sharp knife if unable to move the sleeve down. Be careful not to cut or puncture the hose.</li> <li>2. Do not push in the release button when connecting the high pressure hose.</li> </ol>
The unit is running but there is no water flow.	<ol style="list-style-type: none"> <li>1. Check the water source. Unclog the nozzle on the lance. (See nozzle cleaning instructions under "Cleaning nozzles".) Or take off the lance and just spray out of the spray gun. This will indicate if the problem is with the lance.</li> </ol>
Why is water leaking where the high pressure hose connects to the spray gun?	<ol style="list-style-type: none"> <li>1. Make sure there is an o-ring at the end of the metal tip of the high pressure hose. If no o-ring is present, the connection between the hose and spray gun will leak. O-Ring replacements are included in the package contents.</li> </ol>
I can't remove the lance from the spray gun. What should I do?	<ol style="list-style-type: none"> <li>1. All lances and the detergent bottles are attached and removed from the extension lance in the same manner. Insert the quick-release end of the lance/detergent bottle into the extension lance. Press the extension lance and lance together (about a 1/8") and turn clockwise. The lance will lock in place. Remove the lance by reversing this procedure. Press the extension lance and lance together and turn counter clockwise. The lance will slide out.</li> <li>2. Or, hold the extension lance and lance in an upright position with the nozzle end on the floor. Push the whole assembly straight down to loosen the connection, and then follow the removal process again. You may also spray soapy water or a lubricant in the area where the lance connects to the extension lance.</li> </ol>
The power washer turns on for 2 seconds, shuts off, and will not turn back on. Do I have a defective unit?	<ol style="list-style-type: none"> <li>1. It sounds like your power washer is working just fine. When the water is connected, the accessories are assembled properly, and the power switch is turned on, the power washer may turn on for 1 - 2 seconds to prime the pump. It automatically shuts off and waits for the spray gun trigger to be pressed. When the trigger is pressed, water starts flowing through the pump. The water sensor in the pump "senses" the moving water and automatically turns the power washer on.</li> <li>2. Turn the power switch to off, hold in the trigger on the spray gun, so that you have a steady stream of water. While you are holding the trigger open on the spray gun, at the same time, turn the power switch on.</li> </ol>

## LIMITED WARRANTY

The Warranty of this product is covered by A.R.North America.

This product has a 2 (two) year warranty. Please read the following carefully to understand what each warranty entails:

This product is under warranty to the original retail consumer against defects in material and workmanship for a period 1(one) year and is a complete “bumper to bumper” warranty including the spray gun, the high pressure hose and all accessories from the date of purchase. The warranty is not transferable or assignable. This warranty covers replacement parts. This limited one year warranty applies only to products used in consumer applications and is void in rental or any commercial application. Reasonable care must be used in conformity with operation and maintenance instructions in the owner’s manual and quick start guide. Failure to follow these instructions will void this warranty. This warranty gives you special legal rights and you may also have other rights which vary from state to state.

The second year of the warranty only covers manufacturer defects.

### Warranty Process

Keep your original receipt of purchase in case of warranty claim.

If your power washer develops a problem, contact Customer Service:

- Call our toll-free number at 1-866-508-1330. Customer Service is available Monday - Friday 8:00 a.m. to 5:00 p.m. Central Standard Time (CST). The Customer Service person will work with you to fix the problem.

If the power washer needs to be returned for repair, shipping costs to the company must be paid by the customer. A **Return Merchandise Authorization (RMA) Number** will be issued for the return. Upon receiving the power washer, the company will repair or replace the unit. We will send unit back to customer at no charge.

Please note: Power washers sent to the company **without an RMA Number will NOT be accepted** and shipped back at the expense of the sender.

### Return address:

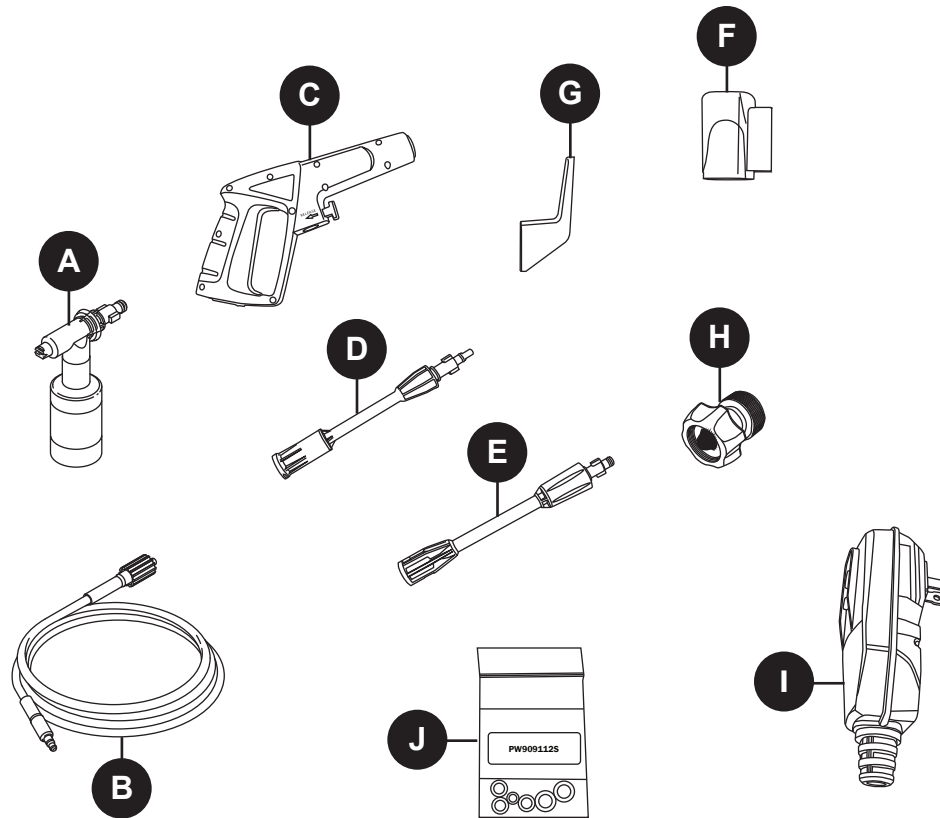
A.R. North America, Inc.  
140 81<sup>st</sup> Avenue North East  
Fridley, MN 55432

### Manufactured by:

A.R. North America, Inc.  
140 81<sup>st</sup> Avenue North East Fridley, MN 55432

## REPLACEMENT PARTS LIST

For replacement parts, call our customer service department at 1-866-508-1330, 8 a.m. - 5:00 p.m., CST, Monday - Friday or order online at [www.stanleypressurewashers.com](http://www.stanleypressurewashers.com)



PART	DESCRIPTION	PART #
A	Detergent Bottle (14 oz.)	PW50954
B	Soft PVC Hose	PW4221500
C	Spray Gun	PW4221390
D	Variable Spray Nozzle Lance	PW4120410
E	Extension Lance	PW4120400

PART	DESCRIPTION	PART #
F	Gun Holster	PW4220580
G	Cord Hook	PW4220590
H	Garden Hose Adapter	PW4221580
I	GFCI Assembly	PW4221160
J	O-Ring Replacement Kit	PW909112S

Printed in China

© 2016 Stanley Black & Decker, Inc.

Manufactured by:

A.R. North America, Inc.

140 81<sup>st</sup> Avenue North East Fridley, MN 55432

16

**STANLEY® and the STANLEY® logo are trademarks of Stanley Black & Decker, Inc. or an affiliate thereof and are used under license.**