

If you have questions or comments, contact us.  
 Pour toute question ou tout commentaire, nous contacter.  
 Si tiene dudas o comentarios, contáctenos.

1-800-4-DEWALT • www.dewalt.com

INSTRUCTION MANUAL  
 GUIDE D'UTILISATION  
 MANUAL DE INSTRUCCIONES

INSTRUCTIVO DE OPERACIÓN. CENTROS DE SERVICIO Y PÓLIZA  
 DE GARANTÍA. **ADVERTENCIA:** LEÁSE ESTE INSTRUCTIVO ANTES  
 DE USAR EL PRODUCTO.

# DEWALT®

DWE6411  
 1/4 Sheet Sander  
 Ponceuse à 1/4 de bande  
 Lijadora de 1/4 de lámina

DEWALT Industrial Tool Co., 701 East Joppa Road, Towson, MD 21286  
 (OCT15) Part No. N457047 DWE6411 Copyright © 2015 DEWALT

The following are trademarks for one or more DEWALT power tools: the yellow and black color scheme; the "D" shaped air intake grill; the array of pyramids on the handgrip; the kit box onfiguration; and the array of lozenge-shaped humps on the surface of the tool.

### Definitions: Safety Guidelines

The definitions below describe the level of severity for each signal word. Please read the manual and pay attention to these symbols.

**▲ DANGER:** Indicates an imminently hazardous situation which, if not avoided, **will** result in **death or serious injury**.

**▲ WARNING:** Indicates a potentially hazardous situation which, if not avoided, **could** result in **death or serious injury**.

**▲ CAUTION:** Indicates a potentially hazardous situation which, if not avoided, **may** result in **minor or moderate injury**.

**NOTICE:** Indicates a practice **not related to personal injury** which, if not avoided, **may** result in **property damage**.

IF YOU HAVE ANY QUESTIONS OR COMMENTS ABOUT THIS OR ANY DEWALT TOOL, CALL US TOLL FREE AT: 1-800-4-DEWALT (1-800-433-9258).

**WARNING:** To reduce the risk of injury, read the instruction manual.

### General Power Tool Safety Warnings

**WARNING!** Read all safety warnings and all instructions. Failure to follow the warnings and instructions may result in electric shock, fire and/or serious injury.

### SAVE ALL WARNINGS AND INSTRUCTIONS FOR FUTURE REFERENCE

The term "power tool" in the warnings refers to your mains-operated (corded) power tool or battery-operated (cordless) power tool.

#### 1) WORK AREA SAFETY

- Keep work area clean and well lit.** Cluttered or dark areas invite accidents.
- Do not operate power tools in explosive atmospheres, such as in the presence of flammable liquids, gases or dust.** Power tools create sparks which may ignite the dust or fumes.
- Keep children and bystanders away while operating a power tool.** Distractions can cause you to lose control.

#### 2) ELECTRICAL SAFETY

- Power tool plugs must match the outlet. Never modify the plug in any way. Do not use any adapter plugs with earthed (grounded) power tools.** Unmodified plugs and matching outlets will reduce risk of electric shock.
- Avoid body contact with earthed or grounded surfaces such as pipes, radiators, ranges and refrigerators.** There is an increased risk of electric shock if your body is earthed or grounded.
- Do not expose power tools to rain or wet conditions.** Water entering a power tool will increase the risk of electric shock.
- Do not abuse the cord. Never use the cord for carrying, pulling or unplugging the power tool. Keep cord away from heat, oil, sharp edges or moving parts.** Damaged or entangled cords increase the risk of electric shock.
- When operating a power tool outdoors, use an extension cord suitable for outdoor use.** Use of a cord suitable for outdoor use reduces the risk of electric shock.
- If operating a power tool in a damp location is unavoidable, use a ground fault circuit interrupter (GFCI) protected supply.** Use of a GFCI reduces the risk of electric shock.

#### 3) PERSONAL SAFETY

- Stay alert, watch what you are doing and use common sense when operating a power tool. Do not use a power tool while you are tired or under the influence of drugs, alcohol or medication.** A moment of inattention while operating power tools may result in serious personal injury.

- Use personal protective equipment. Always wear eye protection.** Protective equipment such as dust mask, non-skid safety shoes, hard hat, or hearing protection used for appropriate conditions will reduce personal injuries.
- Prevent unintentional starting. Ensure the switch is in the off position before connecting to power source and/or battery pack, picking up or carrying the tool.** Carrying power tools with your finger on the switch or energizing power tools that have the switch on invites accidents.
- Remove any adjusting key or wrench before turning the power tool on.** A wrench or a key left attached to a rotating part of the power tool may result in personal injury.
- Do not overreach. Keep proper footing and balance at all times.** This enables better control of the power tool in unexpected situations.
- Dress properly. Do not wear loose clothing or jewelry. Keep your hair, clothing and gloves away from moving parts.** Loose clothes, jewelry or long hair can be caught in moving parts.
- If devices are provided for the connection of dust extraction and collection facilities, ensure these are connected and properly used.** Use of dust collection can reduce dust-related hazards.

#### 4) POWER TOOL USE AND CARE

- Do not force the power tool. Use the correct power tool for your application.** The correct power tool will do the job better and safer at the rate for which it was designed.
- Do not use the power tool if the switch does not turn it on and off.** Any power tool that cannot be controlled with the switch is dangerous and must be repaired.
- Disconnect the plug from the power source and/or the battery pack from the power tool before making any adjustments, changing accessories, or storing power tools.** Such preventive safety measures reduce the risk of starting the power tool accidentally.
- Store idle power tools out of the reach of children and do not allow persons unfamiliar with the power tool or these instructions to operate the power tool.** Power tools are dangerous in the hands of untrained users.
- Maintain power tools. Check for misalignment or binding of moving parts, breakage of parts and any other condition that may affect the power tool's operation. If damaged, have the power tool repaired before use.** Many accidents are caused by poorly maintained power tools.
- Keep cutting tools sharp and clean.** Properly maintained cutting tools with sharp cutting edges are less likely to bind and are easier to control.
- Use the power tool, accessories and tool bits, etc. in accordance with these instructions, taking into account the working conditions and the work to be performed.** Use of the power tool for operations different from those intended could result in a hazardous situation.

#### 5) SERVICE

- Have your power tool serviced by a qualified repair person using only identical replacement parts.** This will ensure that the safety of the power tool is maintained.

### Additional Safety Instructions for Sanders

- Accessories must be rated for at least the speed recommended on the tool warning label.** Wheels and other accessories running over rated speed can fly apart and cause injury. Accessory ratings must be above listed minimum wheel speed as shown on tool nameplate.
- Hold tool by insulated gripping surfaces when performing an operation where the cutting tool may contact hidden wiring or its own cord.** Contact with a "live" wire will make exposed metal parts of the tool "live" and shock the operator.
- Always wear eye protection and a respirator when sanding.**
- Sanding of lead-based paint is not recommended.** See Precautions To Take When Sanding Paint for additional information before sanding paint.
- Do not operate the unit without the dust collection bag.**
- Clean your tool out periodically.**
- Empty dust bag frequently, especially when sanding resin coated surfaces such as polyurethane, varnish, shellac, etc.** Dispose of coated dust particles according to the finish manufacturer's guidelines, or place in a metal can with a tight-fitting metal lid. Remove coated dust particles from the premises daily. The accumulation of fine sanding dust particles may self ignite and cause fire.
- Air vents often cover moving parts and should be avoided.** Loose clothes, jewelry or long hair can be caught in moving parts.
- An extension cord must have adequate wire size (AWG or American Wire Gauge) for safety.** The smaller the gauge number of the wire, the greater the capacity of the cable, that is 16 gauge has more capacity than 18 gauge. An undersized cord will cause a drop in line voltage resulting in loss of power and overheating. When using more than one extension to make up the total length, be sure each individual extension contains at least the minimum wire size. The following table shows the correct size to use depending on cord length and nameplate ampere rating. If in doubt, use the next heavier gauge. The smaller the gauge number, the heavier the cord.

Minimum Gauge for Cord Sets						
Ampere Rating		Volts	Total Length of Cord in Feet (meters)			
		120V	25 (7.6)	50 (15.2)	100 (30.5)	150 (45.7)
		240V	50 (15.2)	100 (30.5)	200 (61.0)	300 (91.4)
More Than	Not More Than	AWG				
0	6		18	16	16	14
6	10		18	16	14	12
10	12		16	16	14	12
12	16		14	12	Not Recommended	

**▲ WARNING: ALWAYS** use safety glasses. Everyday eyeglasses are NOT safety glasses. Also use face or dust mask if cutting operation is dusty. ALWAYS WEAR CERTIFIED SAFETY EQUIPMENT:

- ANSI Z87.1 eye protection (CAN/CSA Z94.3),
- ANSI S12.6 (S3.19) hearing protection,
- NIOSH/OSHA/MSHA respiratory protection.

**▲ WARNING:** Some dust created by power sanding, sawing, grinding, drilling, and other construction activities contains chemicals known to the State of California to cause cancer, birth defects or other reproductive harm. Some examples of these chemicals are:

- lead from lead-based paints,
- crystalline silica from bricks and cement and other masonry products, and
- arsenic and chromium from chemically-treated lumber.

Your risk from these exposures varies, depending on how often you do this type of work. To reduce your exposure to these chemicals: work in a well ventilated area, and work with approved safety equipment, such as those dust masks that are specially designed to filter out microscopic particles.

- Avoid prolonged contact with dust from power sanding, sawing, grinding, drilling, and other construction activities. Wear protective clothing and wash exposed areas with soap and water.** Allowing dust to get into your mouth, eyes, or lay on the skin may promote absorption of harmful chemicals.

**▲ WARNING:** Use of this tool can generate and/or disperse dust, which may cause serious and permanent respiratory or other injury. Always use NIOSH/OSHA approved respiratory protection appropriate for the dust exposure. Direct particles away from face and body.

**▲ WARNING: Always wear proper personal hearing protection that conforms to ANSI S12.6 (S3.19) during use.** Under some conditions and duration of use, noise from this product may contribute to hearing loss.

- The label on your tool may include the following symbols. The symbols and their definitions are as follows:

V.....volts	A.....amperes
Hz.....hertz	W.....watts
min .....minutes	~ or AC.....alternating current
=== or DC.....direct current	⊞ or AC/DC.....alternating or direct current
Ⓛ.....Class I Construction (grounded)	n <sub>o</sub> .....no load speed
Ⓜ.....Class II Construction (double insulated)	n.....rated speed
.../min .....per minute	⊕ .....earthing terminal
IPM.....impacts per minute	▲.....safety alert symbol
SPM.....strokes per minute	BPM.....beats per minute
OPM.....orbits per minute	RPM.....revolutions per minute
	sfpm.....surface feet per minute

## SAVE THESE INSTRUCTIONS FOR FUTURE USE

FIG. 1

### Motor

Be sure your power supply agrees with the nameplate marking. Voltage decrease of more than 10% will cause loss of power and overheating. DEWALT tools are factory tested; if this tool does not operate, check power supply.

### COMPONENTS (FIG. 1)

- |                        |                      |
|------------------------|----------------------|
| A. On/Off switch       | G. Side clamp levers |
| B. Front paper clamp   | H. Holding tabs      |
| C. Front clamp button  | I. Vac-adapter       |
| D. Base plate/pad      | J. Dust bag          |
| E. Paper-limiting ribs | K. Dust bag collar   |
| F. Rear paper clamp    |                      |

### ASSEMBLY AND ADJUSTMENTS

**⚠ WARNING:** To reduce the risk of injury, turn unit off and disconnect it from power source before installing and removing accessories, before adjusting or when making repairs. An accidental start-up can cause injury.

#### Attaching Abrasive Paper (Fig. 2-6)

**⚠ CAUTION:** Turn off and unplug the tool before making any adjustments or removing or installing attachments or accessories. Be sure the switch is in the OFF position.

Your sander is designed to use 1/4-sized sanding sheets. Pre-cut 4-1/2" x 5-1/2" sandpaper is available at extra cost.

#### TO MAKE 4-1/2" X 5-1/2" SANDPAPER

- Cut full-sized (9" x 11") sandpaper into 1/4 sheets of 4-1/2" x 5-1/2".
- Cut 1/2 sheet sandpaper into two 4-1/2" x 5-1/2" sheets.

#### FITTING REGULAR SANDING SHEETS (FIG. 2-5)

For normal operation, assemble the abrasive paper to your unit as follows:

- Soften the stiff sandpaper by pulling it over the 90° edge of a table or other straight edge, as shown in Figure 2. Concentrate on softening the edges to be clamped.
- Release the rear paper clamp (F) by pulling up on the side clamp levers (G) and disengaging them from the tabs (H) on the base plate/pad (D) as shown in Figure 3.
- Disengage the front paper clamp (B, Fig. 4) by applying and holding pressure on the front clamp button (C) while inserting the 4-1/2" edge of the abrasive paper under the front paper clamp (B) until it hits the paper-limiting ribs (E). Release the front paper clamp to secure the front of the paper.
- Stretch paper over the base plate/pad (D) and begin to pivot the rear paper clamp (F) around to its locking position. Lock one side clamp lever (G) by placing it behind the tab (H, Fig. 5) on the base plate/pad and then repeat with the second side clamp lever.
- If you are using the dust extraction feature, perforate the sandpaper (see **Paper Punch**).

#### FITTING HOOK AND LOOP SANDING SHEETS (FIG. 6)

- Place the tool on a table, base plate/pad (D) up.
- Place the sanding sheet directly on top of the base plate/pad (D).
- Hold the base plate/pad with one hand and align the dust extraction holes (L).
- Press the sheet firmly onto the base plate/pad.

#### Switch (Fig. 1)

To turn the unit on, depress the side of the dust-protected switch (A) that corresponds to the symbol "I". To turn the tool off, depress the side of the switch that corresponds to the symbol "O".

#### Paper Punch (Fig. 7)

**⚠ CAUTION:** Turn off and unplug the tool before making any adjustments or removing or installing attachments or accessories. Be sure the switch is in the OFF position.

A paper punch (M) is provided with your sander to let you perforate regular sandpaper to make dust collection possible.

#### TO PERFORATE YOUR SANDPAPER

Install the sandpaper on the tool as instructed in this manual. With the sander turned off and unplugged, place the paper punch on the paper so that the tabs at the edges of the punch are against any two adjacent sides of the sanding pad, as shown. Press the punch against the pad so that the 8 points penetrate the paper, as shown in Figure 7. (Press the punch into the pad as far as it will go.) Remove the paper punch and the paper is ready.

An alternate method of perforating the paper is to securely fasten the punch to a suitable work surface. Two holes are provided in the punch for this purpose. Use #8 flat head screws. Press the sander (with the paper attached) down on the punch.

#### Dust Extraction (Fig. 1, 8)

Your sander has a built-in vac-adapter (I) which allows either the supplied dust bag (J) or a shop vacuum system to be connected. The built-in outlet utilizes the DEWALT AirLock connection making it compatible with the DEWALT dust extractor.

#### TO ATTACH THE DUST BAG

- While holding the sander, fit the dust bag collar (K) to the vac-adapter (I) as shown in Figure 8.
- Turn the collar (K) clockwise to lock the dust bag (J) in place.

#### TO EMPTY THE DUST BAG

- While holding the sander, turn the collar (K) counterclockwise to unlock the dust bag (J).
- Remove dust bag from the sander and gently shake or tap the dust bag to empty.
- Reattach the dust bag back onto the outlet and lock into place by turning the dust bag collar clockwise.

You may notice that all the dust will not come free from the bag. This will not affect sanding performance but will reduce the sander's dust collection efficiency. To restore your sander's dust collection efficiency, depress the spring inside the dust bag when you are emptying it and tap it on the side of the trash can or dust receptacle.

**⚠ CAUTION:** Never operate these tools unless the dust collector is in place. Sanding dust exhaust may create a breathing hazard.

### OPERATION

**⚠ WARNING:** To reduce the risk of injury, turn unit off and disconnect it from power source before installing and removing accessories, before adjusting or when making repairs. An accidental start-up can cause injury.

**NOTICE:** This sander is not to be used in drywall applications.

To operate your sander, grasp it as shown in Figure 9A or 9B and turn it on. Move it in long, sweeping strokes along the surface being sanded, letting the sander do the work. Pushing down on the tool while sanding actually slows the removal rate and produces an inferior quality surface. Be sure to check your work often, this sander is capable of removing material rapidly, especially with coarse paper.

Your sander is designed to sand flush on three sides for sanding in corners, and its small size and light weight make it ideal for overhead work.

The orbital action of your sander allows you to sand with the grain or at any angle across it for most sanding jobs. On the final sanding steps, as discussed below, a better finish will result if you sand only with the grain.

To produce the best finish possible, start with coarse grit sandpaper and change gradually to finer and finer paper. A final sanding with a piece of well-worn fine sandpaper will produce a professional-looking finish that in many cases will need no hand sanding at all. The rate at which the dust collection bag will fill up will vary with the type of material being sanded and the coarseness of the sandpaper. For best results, empty the bag frequently and check the opening for clogging.

When sanding painted surfaces, you may find that the sandpaper loads up and clogs with paint. A heat gun will work much better to remove paint before sanding. FOLLOW ALL SAFETY INSTRUCTIONS IN HEAT GUN INSTRUCTION MANUAL.

#### Precautions to Take When Sanding Paint

- Sanding of lead based paint is NOT RECOMMENDED due to the difficulty of controlling the contaminated dust. The greatest danger of lead poisoning is to children and pregnant women.
- Since it is difficult to identify whether or not a paint contains lead without a chemical analysis, we recommend the following precautions when sanding any paint:

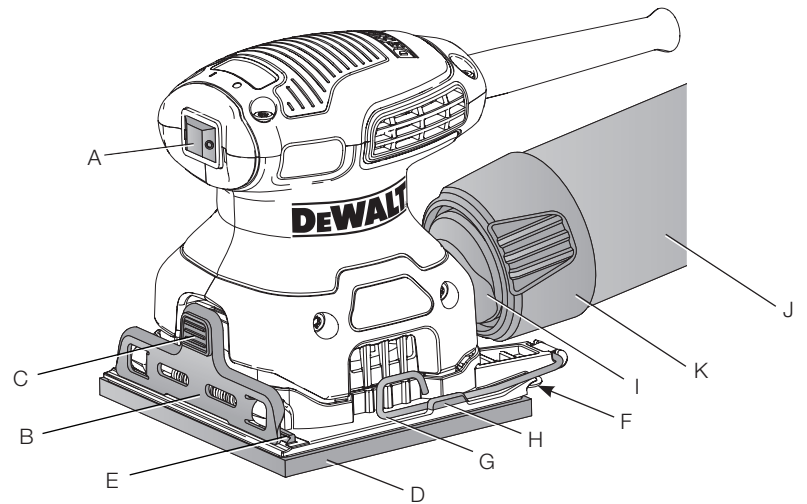


FIG. 2

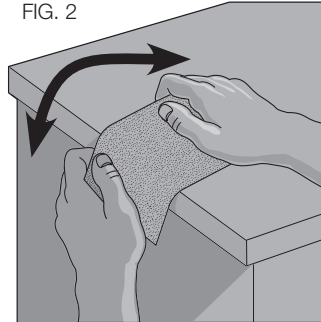


FIG. 3

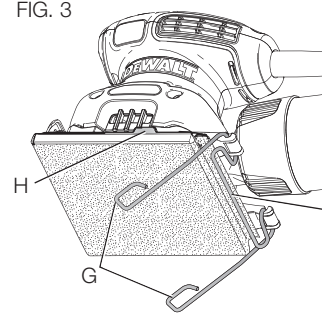


FIG. 4

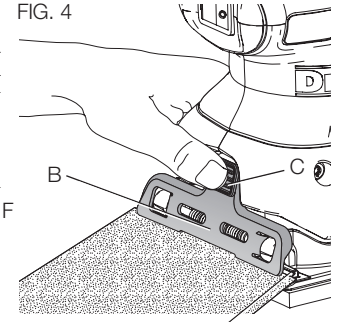


FIG. 5

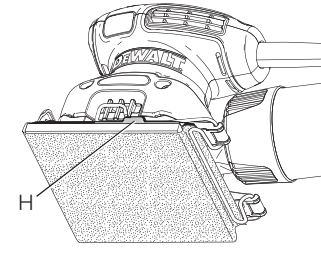


FIG. 6

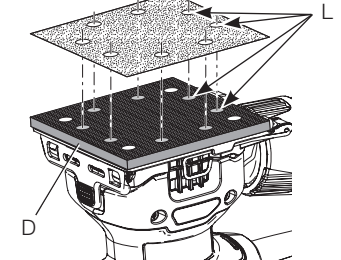


FIG. 7

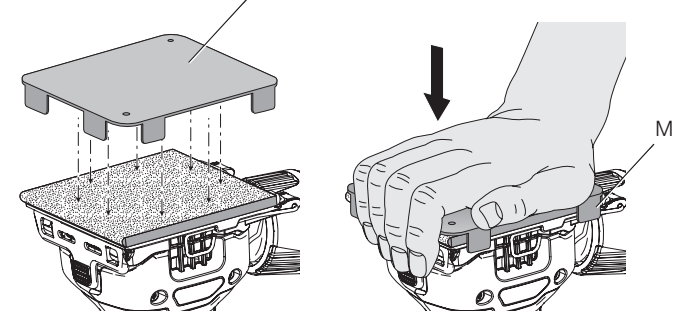


FIG. 8

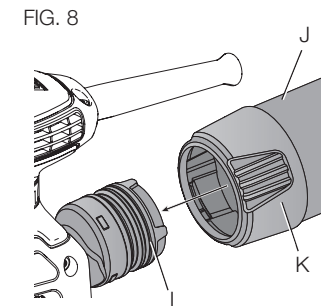


FIG. 9A

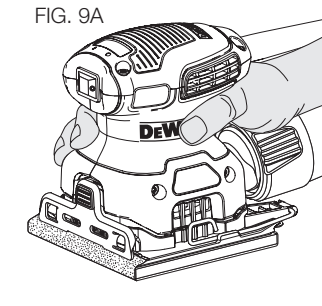
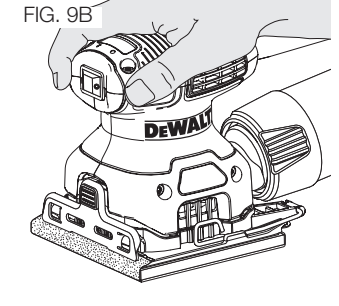


FIG. 9B



### PERSONAL SAFETY

- No children or pregnant women should enter the work area where the paint sanding is being done until all clean-up is completed.
- A dust mask or respirator should be worn by all persons entering the work area. The filter should be replaced daily or whenever the wearer has difficulty breathing. See your local hardware store for the proper NIOSH-approved dust mask.
- NO EATING, DRINKING or SMOKING should be done in the work area to prevent ingesting contaminated paint particles. Workers should wash and clean up BEFORE eating, drinking or smoking. Articles of food, drink, or smoking should not be left in the work area where dust would settle on them.

### ENVIRONMENTAL SAFETY

- Paint should be removed in such a manner as to minimize the amount of dust generated.
- Areas where paint removal is occurring should be sealed with plastic sheeting of 4 mils thickness.
- Sanding should be done in a manner to reduce tracking of paint dust outside the work area.

### CLEANING AND DISPOSAL

- All surfaces in the work area should be vacuumed and thoroughly cleaned daily for the duration of the sanding project. Vacuum filter bags should be changed frequently.
- Plastic drop cloths should be gathered up and disposed of along with any dust chips or other removal debris. They should be placed in sealed refuse receptacles and disposed of through regular trash pick-up procedures. During clean up, children and pregnant women should be kept away from the immediate work area.
- All toys, washable furniture and utensils used by children should be washed thoroughly before being used again.

### Tool Care

- Keep your machine as clean as possible by wiping with a clean cloth and blowing through it with air after every 5 hours of use.
- Don't use harsh chemicals or solvents to clean the tool. These chemicals could seriously damage the plastic.
- Avoid overloading your sander. Overloading will result in a considerable reduction in speed and efficiency and the unit will become hot. In this event, run sander at a "no load" condition for a minute or two.
- Brush inspection and replacement should be completed by your local dealer or authorized service center.

### MAINTENANCE

**⚠ WARNING:** To reduce the risk of injury, turn unit off and disconnect it from power source before installing and removing accessories, before adjusting or when making repairs. An accidental start-up can cause injury.

#### Cleaning

**⚠ WARNING:** Blow dirt and dust out of all air vents with clean, dry air at least once a week. To minimize the risk of eye injury, always wear ANSI Z87.1 approved eye protection when performing this.

**⚠ WARNING:** Never use solvents or other harsh chemicals for cleaning the non-metallic parts of the tool. These chemicals may weaken the plastic materials used in these parts. Use a cloth dampened only with water and mild soap. Never let any liquid get inside the tool; never immerse any part of the tool into a liquid.

## Accessories

**⚠ WARNING:** Since accessories, other than those offered by DEWALT, have not been tested with this product, use of such accessories with this tool could be hazardous. To reduce the risk of injury, only DEWALT recommended accessories should be used with this product.

Recommended accessories for use with your tool are available at extra cost from your local dealer or authorized service center. If you need assistance in locating any accessory, please contact DEWALT Industrial Tool Co., 701 East Joppa Road, Towson, MD 21286, call 1-800-4-DEWALT (1-800-433-9258) or visit our website: [www.dewalt.com](http://www.dewalt.com).

## Lubrication

Self lubricating bearings are used in the tool and periodic relubrication is not required. However, it is recommended that, once a year, you take or send the tool to a service center for a thorough cleaning and inspection.

## Repairs

To assure product SAFETY and RELIABILITY, repairs, maintenance and adjustment (including brush inspection and replacement) should be performed by a DEWALT factory service center, a DEWALT authorized service center or other qualified service personnel. Always use identical replacement parts.

## Register Online

Thank you for your purchase. Register your product now for:

- **WARRANTY SERVICE:** Registering your product will help you obtain more efficient warranty service in case there is a problem with your product.
- **CONFIRMATION OF OWNERSHIP:** In case of an insurance loss, such as fire, flood or theft, your registration of ownership will serve as your proof of purchase.
- **FOR YOUR SAFETY:** Registering your product will allow us to contact you in the unlikely event a safety notification is required under the Federal Consumer Safety Act.

Register online at [www.dewalt.com/register](http://www.dewalt.com/register).

## Three Year Limited Warranty

DEWALT will repair, without charge, any defects due to faulty materials or workmanship for three years from the date of purchase. This warranty does not cover part failure due to normal wear or tool abuse. For further detail of warranty coverage and warranty repair information, visit [www.dewalt.com](http://www.dewalt.com) or call 1-800-4-DEWALT (1-800-433-9258). This warranty does not apply to accessories or damage caused where repairs have been made or attempted by others. This warranty gives you specific legal rights and you may have other rights which vary in certain states or provinces.

In addition to the warranty, DEWALT tools are covered by our:

### 1 YEAR FREE SERVICE

DEWALT will maintain the tool and replace worn parts caused by normal use, for free, any time during the first year after purchase.

### 90 DAY MONEY BACK GUARANTEE

If you are not completely satisfied with the performance of your DEWALT Power Tool, Laser, or Nailer for any reason, you can return it within 90 days from the date of purchase with a receipt for a full refund – no questions asked.

**LATIN AMERICA:** This warranty does not apply to products sold in Latin America. For products sold in Latin America, see country specific warranty information contained in the packaging, call the local company or see website for warranty information.

**FREE WARNING LABEL REPLACEMENT:** If your warning labels become illegible or are missing, call 1-800-4-DEWALT (1-800-433-9258) for a free replacement.

DWE6411 1/4 SHEET PALM SANDER

### ⚠ WARNING

TO REDUCE THE RISK OF INJURY, USER MUST READ INSTRUCTION MANUAL. ALWAYS USE PROPER EYE AND RESPIRATORY PROTECTION. SER. DEWALT INDUSTRIAL TOOL CO., TOWSON, MD 21286 USA FOR SERVICE INFORMATION, CALL 1-800-4-DEWALT [www.DEWALT.com](http://www.DEWALT.com)

## Définitions : Règles de sécurité

Les définitions ci-dessous décrivent le niveau de danger pour chaque mot indicateur employé. Lire le mode d'emploi et porter une attention particulière à ces symboles.

**⚠ DANGER :** Indique une situation dangereuse imminente qui, si elle n'est pas évitée, pourrait occasionner des blessures graves ou mortelles.

**⚠ AVERTISSEMENT :** Indique une situation dangereuse possible qui, si elle n'est pas évitée, pourrait occasionner des blessures graves ou mortelles.

**⚠ ATTENTION :** Indique une situation dangereuse potentielle qui, si elle n'est pas évitée, pourrait occasionner des blessures mineures ou légères.

**AVIS :** Indique une pratique ne posant aucun risque de dommages corporels mais qui par contre, si rien n'est fait pour l'éviter, pourrait entraîner des dommages matériels.

POUR TOUTE QUESTION OU TOUT COMMENTAIRE AU SUJET DE CET OUTIL OU DE TOUT AUTRE OUTIL DEWALT, APPELER SANS FRAIS AU NUMÉRO : 1 800 4-DEWALT (1 800 433-9258).

**⚠ AVERTISSEMENT :** Afin de réduire le risque de blessures, veuillez lire le mode d'emploi de l'outil.

## Avertissements de sécurité généraux pour les outils électriques

**⚠ MISE EN GARDE!** Lire tous les avertissements de sécurité et toutes les consignes. Le non-respect des avertissements et des directives peut entraîner des risques de décharge électrique, d'incendie ou de blessures graves.

### CONSERVER TOUS LES AVERTISSEMENTS ET TOUTES LES DIRECTIVES POUR UN USAGE ULTÉRIEUR

Le terme « outil électrique » cité dans les avertissements se rapporte à votre outil électrique à alimentation sur secteur (avec fil) ou à piles (sans fil).

#### 1) SÉCURITÉ DU LIEU DE TRAVAIL

- Maintenez la zone de travail propre et bien éclairée.** Les lieux encombrés ou sombres sont propices aux accidents.
- Ne faites pas fonctionner d'outils électriques dans une atmosphère explosive, tel qu'en présence de liquides, de gaz ou de poussières inflammables.** Les outils électriques produisent des étincelles qui pourraient enflammer la poussière ou les vapeurs.
- Tenez les enfants et les adultes à distance lorsque vous utilisez un outil électrique.** Les distractions peuvent vous faire perdre la maîtrise de l'outil.

#### 2) SÉCURITÉ ÉLECTRIQUE

- Les fiches des outils électriques doivent correspondre à la prise. Ne jamais modifier la fiche d'aucune façon. Ne jamais utiliser de fiche d'adaptation avec un outil électrique mis à la terre.** Le risque de choc électrique sera réduit par l'utilisation de fiches non modifiées correspondant à la prise.
- Évitez tout contact avec des surfaces mises à la terre comme des tuyaux, des radiateurs, des cuisinières et des réfrigérateurs.** Le risque de décharge électrique est plus élevé si votre corps est mis à la terre.
- N'exposez pas les outils électriques à la pluie ou à l'humidité.** La pénétration de l'eau dans un outil électrique augmente le risque de choc électrique.
- Ne tirez pas sur le cordon. Ne jamais utiliser le cordon pour transporter, tirer ou débrancher un outil électrique. Tenir le cordon éloigné de la chaleur, de l'huile, des**

**bords tranchants et des pièces mobiles.** Les cordons d'alimentation endommagés ou enchevêtrés augmentent le risque de décharge électrique.

- Pour l'utilisation d'un outil électrique à l'extérieur, servez-vous d'une rallonge adéquate.** L'utilisation d'une rallonge conçue pour l'extérieur réduira les risques de décharge électrique.
- S'il est impossible d'éviter l'utilisation d'un outil électrique dans un endroit humide, branchez l'outil sur une prise ou sur un circuit d'alimentation dotés d'un disjoncteur de fuite de terre.** L'utilisation de ce type de disjoncteur réduit les risques de choc électrique.

#### 3) SÉCURITÉ PERSONNELLE

- Soyez vigilant, soyez attentif à ce que vous faites et faites preuve de jugement lorsqu'un outil électrique est utilisé. Ne pas utiliser d'outil électrique en cas de fatigue ou sous l'influence de drogues, d'alcool ou de médicaments.** Un simple moment d'inattention en utilisant un outil électrique peut causer de graves blessures corporelles.
- Portez un équipement de protection individuelle. Toujours porter une protection oculaire.** Le port d'équipements de protection comme un masque anti-poussière, des chaussures antidérapantes, un casque de sécurité ou des protecteurs auditifs lorsque la situation le requiert réduira les risques de blessures corporelles.
- Empêchez les démarrages intempestifs. Assurez-vous que l'interrupteur se trouve en position d'arrêt avant de relier l'outil à une source d'alimentation et/ou d'insérer un bloc-piles, de ramasser ou de transporter l'outil.** Transporter des outils électriques alors que votre doigt repose sur l'interrupteur ou brancher un outil électrique dont l'interrupteur est en position de marche risque de provoquer un accident.
- Retirez toute clé de réglage avant de mettre l'outil électrique en marche.** Une clé de réglage fixée à une partie pivotante de l'outil électrique peut provoquer des blessures corporelles.
- Ne pas trop tendre les bras. Conserver son équilibre en tout temps.** Cela permet de mieux maîtriser l'outil électrique dans les situations imprévues.
- Portez des vêtements appropriés. Ne pas porter de vêtements amples ni de bijoux. Garder les cheveux, les vêtements et les gants à l'écart des pièces mobiles.** Les vêtements amples, les bijoux ou les cheveux longs risquent de rester coincés dans les pièces mobiles.
- Si des composants sont fournis pour le raccordement de dispositifs d'extraction et de collecte de poussière, assurez-vous que ceux-ci sont bien raccordés et utilisés.** L'utilisation d'un dispositif de dépoussiérage peut réduire les dangers engendrés par les poussières.

#### 4) UTILISATION ET ENTRETIEN D'UN OUTIL ÉLECTRIQUE

- Ne forcez pas un outil électrique. Utiliser l'outil électrique approprié à l'application.** L'outil électrique approprié effectuera un meilleur travail, de façon plus sûre et à la vitesse pour laquelle il a été conçu.
- N'utilisez pas d'outil électrique dont l'interrupteur est défectueux.** Tout outil électrique dont l'interrupteur est défectueux est dangereux et doit être réparé.
- Débranchez la fiche de la source d'alimentation et/ou le bloc-piles de l'outil électrique avant de faire tout réglage ou changement d'accessoire ou avant de ranger l'outil.** Ces mesures préventives réduisent les risques de démarrage accidentel de l'outil électrique.
- Rangez les outils électriques hors de la portée des enfants et ne permettez à quiconque n'étant pas familier avec l'outil ou le présent mode d'emploi de l'utiliser.** Les outils électriques sont potentiellement dangereux entre les mains d'utilisateurs inexpérimentés.
- Entretien des outils électriques. Vérifier si les pièces mobiles sont mal alignées ou coincées, si des pièces sont brisées ou présentent toute autre condition susceptible de nuire au bon fonctionnement de l'outil électrique. En cas de dommage, faire réparer l'outil électrique avant toute nouvelle utilisation.** Beaucoup d'accidents sont causés par des outils électriques mal entretenus.
- Assurez-vous que les outils de coupe sont affûtés et propres.** Les outils de coupe bien entretenus et affûtés sont moins susceptibles de se coincer et sont plus faciles à maîtriser.
- Utilisez l'outil électrique, les accessoires, les forets, etc. conformément aux présentes consignes en tenant compte des conditions de travail et du travail à effectuer.** L'utilisation d'outils électriques pour des tâches différentes de celles pour lesquelles ils ont été conçus pourrait entraîner une situation dangereuse.

#### 5) RÉPARATION

- Faites réparer l'outil électrique par un réparateur professionnel en n'utilisant que des pièces de rechange identiques.** Cela permettra d'assurer une utilisation sécuritaire de l'outil électrique.

## Consignes de sécurité additionnelles pour les perceuses

- **Les accessoires doivent fonctionner au minimum à la vitesse recommandée sur l'étiquette d'avertissement de l'outil.** Les meules et autres accessoires allant plus vite que le régime nominal peuvent être projetés et provoquer des blessures. Le régime nominal des accessoires doit toujours se situer au-dessus de la vitesse de rotation de l'outil, tel que l'indique la plaque signalétique de l'outil.
- **Tenez l'outil par les parties isolées prévues à cet effet pendant toute utilisation où l'organe de coupe pourrait entrer en contact avec des fils électriques ou son propre cordon d'alimentation.** Le contact avec un fil sous tension provoquera une décharge électrique à l'opérateur.
- **Veuillez toujours porter une protection oculaire et un respirateur durant les tâches de ponçage.**
- **Nous déconseillons de poncer toute surface recouverte de peinture à base de plomb.** Veuillez consulter les consignes de sécurité avant de poncer des surfaces peintes pour de plus amples renseignements.
- **Ne faites pas fonctionner l'appareil sans le sac à poussière.**
- **Veuillez nettoyer régulièrement l'outil.**
- **Videz fréquemment le sac à poussière, surtout lorsque vous poncez des surfaces recouvertes de résine, comme le polyuréthane, le vernis, la gomme laque, etc.** Veuillez éliminer les particules de poussières de revêtement selon les directives du fabricant ou les déposer dans une boîte en métal pourvu d'un couvercle en métal hermétique. Les retirer des lieux quotidiennement. L'accumulation de particules fines de poussière risque de s'enflammer spontanément et provoquer un incendie.
- **Prenez des précautions à proximité des grilles d'aération, car elles couvrent des pièces mobiles.** Les vêtements amples, les bijoux ou les cheveux longs risquent de rester coincés dans les pièces mobiles.
- **Pour la sécurité de l'utilisateur, utilisez une rallonge de calibre adéquat (AWG, American Wire Gauge [calibrage américain normalisé des fils électriques]).** Plus le numéro de calibre de fil est petit et plus sa capacité est grande, par exemple un calibre 16 a plus de capacité qu'un calibre 18. Une rallonge de calibre inférieur causera une chute de tension de ligne et donc une perte de puissance et une surchauffe. Si plus d'une rallonge est utilisée pour obtenir la longueur totale, s'assurer que chaque rallonge présente au moins le calibre de fil minimum. Le tableau suivant indique le calibre approprié à utiliser selon la longueur de la rallonge et l'intensité nominale de la plaque signalétique. En cas de doute, utiliser le calibre suivant le plus gros. Plus le calibre est petit, plus le cordon est résistant.

Calibres minimaux de cordons d'alimentation						
Intensité (en ampères)		volts	Longueur totale de cordon en mètres (pieds)			
		120 V	7,6 (25)	15,2 (50)	30,5 (100)	45,7 (150)
		240 V	15,2 (50)	30,5 (100)	61,0 (200)	91,4 (300)
Supérieur à	Inférieur à	AWG				
0	6	18	16	16	14	
6	10	18	16	14	12	
10	12	16	16	14	12	
12	16	14	12	Non recommandé		

**⚠ AVERTISSEMENT : PORTER TOUJOURS** des lunettes de protection. Les lunettes de vue ne constituent PAS des lunettes de sécurité. Utiliser également un masque protecteur ou anti-poussières si l'opération de coupe génère de la poussière. **PORTEZ TOUJOURS UN ÉQUIPEMENT DE SÉCURITÉ HOMOLOGUÉ.**

- Protection oculaire conforme à la norme ANSI Z87.1 (CAN/CSA Z94.3);
- Protection auditive conforme à la norme ANSI S12.6 (S3.19);
- Protection des voies respiratoires conforme aux normes NIOSH/OSHA/MSHA.

**⚠AVERTISSEMENT :** Certaines poussières produites durant les travaux de ponçage, de sciage, de meulage, de perçage et autres contiennent des produits chimiques identifiés par l'État de la Californie comme pouvant provoquer le cancer, des anomalies congénitales ou d'autres problèmes liés aux fonctions reproductrices. Voici quelques exemples de ces produits chimiques :

- le plomb provenant de peintures à base de plomb;
- la silice cristallisée venant de briques, de ciment et autres produits de maçonnerie ainsi que
- l'arsenic et le chrome dans le bois ayant subi un traitement chimique.

*Le risque associé à de telles expositions varie selon la fréquence à laquelle on effectue ces travaux. Pour réduire toute exposition à ces produits : travailler dans un endroit bien aéré, en utilisant du matériel de sécurité homologué, tel un masque anti-poussière spécialement conçu pour filtrer les particules microscopiques.*

- Limiter toute exposition prolongée avec les poussières provenant du ponçage, sciage, meulage, perçage ou toute autre activité de construction. Porter des vêtements de protection et laver les parties du corps exposées avec une solution d'eau et de savon. Tout contact de la poussière avec la bouche, les yeux ou la peau peut favoriser l'absorption de produits chimiques dangereux.**

**⚠AVERTISSEMENT :** *Cet outil peut produire et/ou répandre de la poussière susceptible de causer des dommages sérieux et permanents au système respiratoire. Toujours porter un appareil respiratoire approuvé par le NIOSH/l'OSHA pour se protéger de la poussière. Diriger les particules loin du visage et du corps.*

**⚠AVERTISSEMENT : Toujours porter une protection auditive appropriée conformément à la norme ANSI S12.6 (S3.19) lors de l'utilisation du produit.** Dans certaines conditions et suivant la durée d'utilisation, le bruit émanant de cet appareil pourrait contribuer à une perte de l'acuité auditive.

- L'étiquette apposée sur votre outil peut inclure les symboles suivants. Les symboles et leur définition sont indiqués ci-après :

V.....volts	A.....ampères
Hz.....hertz	W.....watts
min .....minutes	~ .....courant alternatif
==== .....courant continu	≈ .....courant alternatif ou continu
ⓘ.....classe I fabrication (mis à la terre)	n <sub>0</sub> .....vitesse à vide
Ⓜ.....fabrication classe II (double isolation)	n.....vitesse nominale
.../min .....par minute	⊕ .....borne de terre
IPM.....impacts par minute	⚠.....symbole d'avertissement
sfpm .....pieds linéaires par minute (plpm)	BPM.....battements par minute
SPM (FPM).....fréquence par minute	r/min.....tours par minute
	OPM.....Orbits par minute

## CONSERVEZ CES CONSIGNES POUR UTILISATION ULTÉRIEURE

### MOTEUR

Assurez-vous que la source d'alimentation est conforme aux indications de la plaque signalétique Une diminution de la tension de plus de 10 % provoquera une perte de puissance et une surchauffe. Les outils DEWALT sont testés en usine; si cet outil ne fonctionne pas, veuillez vérifier la source d'alimentation.

### COMPOSANTS (FIG. 1)

- |                               |                                 |
|-------------------------------|---------------------------------|
| A. Interrupteur marche/arrêt  | G. Leviers de fixation latéraux |
| B. Pince de fixation frontale | H. Pattes de fixation           |
| C. Bouton de pince frontale   | I. Adaptateur d'extraction      |
| D. Semelle/tampon             | J. Sac à poussière              |
| E. Bords recourbés            | K. Collier de sac à poussière   |
| F. Pince de fixation arrière  |                                 |

### MONTAGE ET RÉGLAGES

**⚠AVERTISSEMENT :** *Pour réduire le risque de blessure, éteindre l'appareil et le débrancher avant d'installer ou de retirer tout accessoire et avant d'effectuer des réglages ou des réparations. Un démarrage accidentel pourrait provoquer des blessures.*

### Fixation du papier abrasif (Fig. 2–6)

**⚠MISE EN GARDE :** *Éteignez l'outil et débranchez-le avant tout réglage, tout retrait ou toute installation d'accessoires. Assurez-vous que l'interrupteur est en position OFF.*

Votre ponceuse est conçue pour 1/4 de la taille des feuilles abrasives. Des feuilles de papier abrasif pré-coupées de 114,3 mm (4 1/2 po) x 139,7 mm (5 1/2 po) peuvent être achetées.

#### POUR PRÉPARER DES FEUILLES DE PAPIER ABRASIF DE 114,3 MM (4 1/2 PO) X 139,7 MM (5 1/2 PO)

- Coupez les feuilles de papier abrasif de 228,6 mm (9 po) x 279,4 mm (11 po) en 4 morceaux égaux de 114,3 mm (4 1/2 po) x 139,7 mm (5 1/2 po).
- Coupez la moitié d'une feuille de papier abrasif en 2 morceaux égaux de 114,3 mm (4 1/2 po) x 139,7 mm (5 1/2 po).

#### FIXATION DE FEUILLES DE PAPIER ABRASIF (FIG. 2–5)

Pour assurer un bon fonctionnement, veuillez fixer le papier abrasif dans l'appareil comme suit :

- Ramollissez le papier abrasif devenu rigide en le frottant contre un angle de 90 ° d'une table ou d'un autre angle droit, comme cela est indiqué à la Figure 2. Assurez-vous de ramollir surtout les bords à pincer.
- Relâchez la pince de fixation arrière (F) en dégageant les leviers de fixation latéraux (G) et dégagez-les des pattes (H) de la semelle/du tampon (D) comme cela est indiqué à la Figure 3.
- Dégagez la pince de fixation frontale (B, Fig. 4) en exerçant une pression sur le bouton de la pince frontale (C) tout en insérant le bord du papier abrasif de 114,3 mm (4 1/2 po) sous la pince à papier frontale (B) jusqu'à ce qu'il atteigne le bord recourbé (E). Relâchez la pince de fixation frontale pour fixer la partie frontale du papier.
- Étendez le papier sur semelle/le tampon (D) et commencez à faire pivoter la pince de fixation arrière (F) jusqu'à la position de verrouillage. Verrouillez un des leviers de fixation latéraux (G) en le positionnant derrière la patte (H, Fig. 5) sur la semelle/le tampon et puis répétez avec l'autre levier de fixation latéral.
- Si vous utilisez le dispositif d'extraction de poussière, veuillez perforer le papier abrasif (voir **Perforation du papier**).

#### CROCHET DE FIXATION ET FEUILLES DE PAPIER ABRASIF AVEC ANNEAUX (FIG. 6)

- Placez l'outil sur une table, la semelle/le tampon (D) vers le haut.
- Placez la feuille de papier abrasif directement sur la semelle/le tampon (D).
- Tenez la semelle/le tampon d'une main et alignez les orifices d'extraction de poussière (L).
- Appuyez fermement la feuille sur la semelle/le tampon.

### Interrupteur (Fig. 1)

Allumez l'appareil en appuyant sur le côté de l'interrupteur qui est protégé contre la poussière (A), ce qui correspond au symbole « I ». Allumez l'appareil en appuyant sur le côté de l'interrupteur qui correspond au symbole « O ».

### Perforation du papier (Fig. 7)

**⚠MISE EN GARDE :** *Éteignez l'outil et débranchez-le avant tout réglage, tout retrait ou toute installation d'accessoires. Assurez-vous que l'interrupteur est en position OFF.*

Une plaque à poinçon (M) est fournie avec la ponceuse pour perforer des feuilles de papier abrasif de façon précise pour permettre la collecte de la poussière.

#### POUR PERFORER LE PAPIER ABRASIF

Insérez le papier abrasif dans l'outil comme cela est indiqué dans le présent mode d'emploi. Lorsque la ponceuse est éteinte et débranchée, placez la plaque à poinçon sur le papier de sorte que les bords de la plaque à poinçon soient en contact avec deux des bords du papier abrasif, tout comme cela est indiqué. Appuyez la plaque à poinçon sur le tampon de sorte que les 8 pointes pénètrent dans le papier, comme cela est indiqué à la Figure 7. (Appuyez le plus possible la plaque à poinçon contre le tampon.) Enlevez la plaque à poinçon et le papier est prêt.

Une autre façon de perforer le papier est de bien fixer la plaque à poinçon sur une surface de travail adéquate. Il y a deux orifices qui sont prévus à cet effet dans la plaque à poinçon. Utilisez des vis à tête plate n° 8. Appuyez la ponceuse (avec le papier en place) vers le bas sur la plaque à poinçon.

### Extraction de la poussière (Fig. 1, 8)

La ponceuse est pourvue d'un adaptateur d'extraction incorporée (I) qui permet d'installer le sac à poussière fourni (J) ou un système d'aspiration d'atelier. Le goulot d'évacuation incorporé utilise une connexion AirLock de DEWALT qui est compatible avec l'extracteur de poussière DEWALT.

#### POUR INSTALLER LE SAC À POUSSIÈRE

- En tenant la ponceuse en main, fixez le col du sac à poussière (K) à l'adaptateur d'extraction (I) comme indiqué à la Figure 8.
- Tournez le col (K) dans le sens des aiguilles d'une montre pour verrouiller le sac à poussière (J).

#### POUR VIDER LE SAC À POUSSIÈRE

- En tenant la ponceuse en main, tournez le col (K) dans le sens inverse des aiguilles d'une montre pour déverrouiller le sac à poussière (J).
- Enlevez le sac à poussière de la ponceuse et agitez doucement ou tapoter sur le sac à poussière pour le vider.
- Posez à nouveau le sac à poussière en place au goulot d'évacuation et verrouillez en tournant le col du sac à poussière dans le sens des aiguilles d'une montre.

Vous remarquerez que vous n'aurez pas éliminé toute la poussière du sac. Cela n'affectera pas le fonctionnement de la ponceuse, mais réduira la capacité d'extraction de poussière. Pour récupérer toute l'efficacité du sac à poussière, appuyez sur le ressort intérieur du sac lorsque vous le videz et heurtez délicatement le col du sac sur les côtés de la poubelle ou du conteneur à poussière.

**⚠MISE EN GARDE : Il ne faut jamais faire fonctionner ces outils sans le sac à poussière.** L'échappement de poussière de ponçage peut provoquer des problèmes respiratoires.

### FONCTIONNEMENT

**⚠AVERTISSEMENT :** *Pour réduire le risque de blessure, éteindre l'appareil et le débrancher avant d'installer ou de retirer tout accessoire et avant d'effectuer des réglages ou des réparations. Un démarrage accidentel pourrait provoquer des blessures.*

**AVIS :** *Cette ponceuse ne doit pas être utilisée sur des cloisons sèches.*

Pour utiliser la ponceuse, empoignez-la comme cela est indiqué à la Figure 9A ou 9B et mettez-la en marche. Déplacez-la par des mouvements longs et balayés sur la surface à poncer en laissant la ponceuse faire le travail pour vous. Si vous appuyez sur l'outil pendant le ponçage, vous ralentirez en fait le travail et obtiendrez une moins bonne surface. Vérifiez souvent la qualité du travail, cette ponceuse peut éliminer rapidement du matériel, surtout du papier brut.

Cette ponceuse est conçue pour poncer à ras sur trois côtés dans des coins et sa petite taille et sa légèreté la rende idéale pour le travail en contre-haut.

L'action orbitale de cette ponceuse vous permet de poncer dans le sens du grain ou dans n'importe quel angle pour la plupart des travaux de ponçage. À l'étape finale du ponçage, comme nous le disions auparavant, on obtiendra une meilleure finition en ponçant dans le sens du grain du bois.

Pour optimiser la finition, commencer le ponçage avec un papier abrasif à gros grains puis diminuer graduellement à du papier fin et super fin. Un ponçage final avec un morceau de papier abrasif très usé permettra d'obtenir une finition de qualité professionnelle qui, dans bien des cas, ne requerra aucun ponçage manuel. La vitesse à laquelle le sac à poussière se remplit dépendra du matériel à poncer et de la grosseur du grain du papier abrasif. Pour obtenir de meilleurs résultats, il convient de vider souvent le sac et de s'assurer que le col du sac n'est pas obstrué.

Lorsque vous poncez des surfaces peintes, il peut se produire une accumulation de poussière de peinture qui obstrue l'entrée du sac. Pour obtenir de meilleurs résultats, enlevez peinture avant de poncer avec un pistolet thermique. SUIVEZ TOUTES LES CONSIGNES DE SÉCURITÉ DU MODE D'EMPLOI DU PISTOLET THERMIQUE.

### Précautions à prendre pour poncer des surfaces peintes

- IL NE CONVIENT PAS de poncer des surfaces recouvertes de peintures à base de plomb en raison de la difficulté à contrôler la poussière contaminée. Les enfants et les femmes enceintes courent plus de danger d'empoisonnement au plomb.
- Comme il est difficile de savoir si une surface peinte contient du plomb sans faire une analyse chimique, nous recommandons de prendre les mesures de sécurité suivantes pour poncer toute surface peinte :

#### SÉCURITÉ PERSONNELLE

- Les enfants et les femmes enceintes ne devraient pas s'approcher de la zone où se fait le ponçage de peinture jusqu'à ce que la zone en question soit entièrement nettoyée.
- Toute personne entrant dans la zone de travail devrait porter un masque anti-poussière ou un respirateur. Le filtre devrait être remplacé tous les jours ou lorsque la personne portant le masque commence à avoir de la difficulté à respirer. Rendez-vous à votre quincaillerie pour obtenir des masques anti-poussière approuvés par NIOSH.
- On ne doit PAS MANGER, BOIRE ou FUMER dans la zone de travail afin d'éviter d'ingérer des particules contaminées de peinture. Les travailleurs doivent se laver AVANT de manger, boire ou fumer. Il ne faut pas laisser de nourriture, de boisson ou de tabac dans la zone de travail, car de la poussière pourrait tomber sur ceux-ci.

#### SÉCURITÉ ENVIRONNEMENTALE

- La peinture doit être enlevée de façon à limiter la quantité de poussière produite.
- Les zones où l'on enlève de la poussière doivent être scellées avec des feuilles de plastique d'une épaisseur de 4 mils.
- Le ponçage devrait se faire de façon à éviter que la poussière de peinture ne se répande à l'extérieur de la zone de travail.

#### NETTOYAGE ET ÉLIMINATION DES DÉBRIS

- Il conviendrait de passer l'aspirateur sur toutes les surfaces de la zone de travail et de les nettoyer à fond tous les jours pendant la durée des travaux de ponçage. Les sacs d'aspirateur doivent être fréquemment remplacés.
- Les bâches en plastique doivent être retirées et éliminées avec tout reste de poussière ou autre débris. Elles doivent être placées dans des poubelles scellées et éliminées selon les procédures normales de traitement des ordures. Durant le nettoyage, les enfants et les femmes enceintes ne devraient pas s'approcher de la zone de travail.
- Tous les jouets, meubles et ustensiles lavables utilisés par des enfants doivent être lavés à fond avant de servir à nouveau.

### Entretien des outils

- Conservez votre appareil aussi propre que possible en l'essuyant avec un linge propre et en y projetant de l'air après toutes les 5 heures de travail.
- N'utilisez pas de produits chimiques agressifs ou des solvants pour nettoyer l'outil. Ces produits chimiques peuvent sérieusement endommager les surfaces plastiques.
- Évitez de surcharger la ponceuse. La surcharge entraînera une réduction considérable de la vitesse et de l'efficacité et l'appareil chauffera. Si cela se produit, faites fonctionner la ponceuse « à vide » pendant une ou deux minutes.
- L'inspection du balai et son remplacement doivent être faits par un représentant local ou un centre de réparation autorisé.

### ENTRETIEN

**⚠AVERTISSEMENT :** *Pour réduire le risque de blessure, éteindre l'appareil et le débrancher avant d'installer ou de retirer tout accessoire et avant d'effectuer des réglages ou des réparations. Un démarrage accidentel peut provoquer des blessures.*

### Nettoyage

**⚠AVERTISSEMENT :** *Éliminez les saletés et la poussière des grilles d'aération au moyen d'air comprimé propre et sec au moins une fois par semaine. Pour minimiser le risque de blessure aux yeux lors du nettoyage, veuillez toujours porter une protection oculaire conforme à la norme ANSI Z87.1.*

**⚠AVERTISSEMENT :** *Ne jamais utiliser de solvants ni d'autres produits chimiques durs pour nettoyer les pièces non métalliques de l'outil. Ces produits chimiques peuvent affaiblir les matériaux de plastique utilisés dans ces pièces. Utiliser un chiffon humecté uniquement d'eau et de savon doux. Ne jamais laisser de liquide pénétrer dans l'outil et n'immerger aucune partie de l'outil dans un liquide.*

### Accessoires

**⚠AVERTISSEMENT :** *Puisque les accessoires, autres que ceux offerts par DEWALT, n'ont pas été testés avec ce produit, l'utilisation de ceux-ci pourrait s'avérer dangereuse. Pour réduire le risque de blessures, utiliser exclusivement les accessoires DEWALT recommandés avec le produit.*

Les accessoires recommandés pouvant être utilisés avec cet outil sont en vente chez un détaillant local ou un centre de service autorisé. Pour obtenir de l'aide concernant l'achat d'un accessoire, communiquer avec DEWALT Industrial Tool Co., 701 East Joppa Road, Towson, MD 21286, États-Unis; composer le 1 800 433-9258 (1 800 4-DEWALT) ou visiter notre site Web : www.dewalt.com.

## Graissage

Des paliers autolubrifiants sont utilisés dans cet outil et il n'est donc pas nécessaire de les lubrifier à nouveau. Cela dit, il convient, une fois par année, de confier votre outil à un centre de réparation qui fera un nettoyage et une inspection à fond.

## Réparation

Pour assurer la SÉCURITÉ et la FIABILITÉ du produit, les réparations, l'entretien et les réglages (y compris l'inspection et le remplacement du bala) doivent être réalisés par un centre de réparation en usine DEWALT, un centre de réparation agréé DEWALT ou par d'autres techniciens qualifiés. Toujours utiliser des pièces de rechange identiques.

## Enregistrement en ligne

Merci pour votre achat. Enregistrez dès maintenant votre produit :

- RÉPARATIONS SOUS GARANTIE** : Cette carte remplie vous permettra de vous prévaloir du service de réparations sous garantie de façon plus efficace dans le cas d'un problème avec le produit.
- CONFIRMATION DE PROPRIÉTÉ** : En cas de perte provoquée par un incendie, une inondation ou un vol, cette preuve de propriété vous sera utile auprès de votre compagnie d'assurances.
- SÉCURITÉ** : L'enregistrement de votre produit nous permettra de communiquer avec vous dans l'éventualité peu probable de l'envoi d'un avis de sécurité régi par la loi fédérale américaine de la protection des consommateurs.

Registre en ligne à www.dewalt.com/register.

## Garantie limitée de trois ans

DEWALT réparera, sans frais, tout produit défectueux causé par un défaut de matériel ou de fabrication durant une période de trois ans à compter de la date d'achat. Cette garantie ne couvre pas des défaillances de pièce dues à une usure normale ou à une mauvaise utilisation de l'outil. Pour obtenir de plus amples renseignements sur les pièces ou les réparations couvertes par la présente garantie, visiter le site www.dewalt.com ou composer le 1 800 433-9258 (1 800 4-DEWALT). Cette garantie ne s'applique pas aux accessoires ni aux dommages causés par des réparations réalisées ou tentées par des tiers. Cette garantie confère des droits légaux particuliers à l'acheteur, mais celui-ci pourrait aussi bénéficier d'autres droits variant d'un état ou d'une province à l'autre.

En plus de la présente garantie, les outils DEWALT sont couverts par notre :

### CONTRAT D'ENTRETIEN GRATUIT D'UN AN

DEWALT réparera l'outil et remplacera les pièces usées au cours d'une utilisation normale et ce, gratuitement, pendant une période d'un an à compter de la date d'achat.

### GARANTIE DE REMBOURSEMENT DE 90 JOURS

Si, pour quelque raison que ce soit, l'acheteur n'est pas entièrement satisfait du rendement de l'outil électrique, du laser ou de la cloueuse DEWALT, celui-ci peut le retourner, accompagné du reçu d'achat, dans les 90 jours à compter de la date d'achat pour obtenir sans problème un remboursement intégral.

**AMÉRIQUE LATINE** : Cette garantie ne s'applique pas aux produits vendus en Amérique latine. Pour ceux-ci, veuillez consulter les informations relatives à la garantie spécifique présente dans l'emballage, appeler l'entreprise locale ou consulter le site Web pour les informations relatives à cette garantie.

**REPLACEMENT GRATUIT DES ÉTIQUETTES D'AVERTISSEMENT** : Si l'étiquette d'avertissement devient illisible ou est absente, composez le 1-800-4-DEWALT (1-800-433-9258) pour en obtenir une autre gratuitement.



## Definiciones: Normas de seguridad

Las siguientes definiciones describen el nivel de gravedad de cada palabra de señal. Lea el manual y preste atención a estos símbolos.

**▲PELIGRO:** indica una situación de peligro inminente que, si no se evita, **provocará la muerte o lesiones graves**.

**▲ADVERTENCIA:** indica una situación de peligro potencial que, si no se evita, **podría provocar la muerte o lesiones graves**.

**▲ATENCIÓN:** indica una situación de peligro potencial que, si no se evita, **posiblemente provocaría lesiones menores o moderadas**.

**AVISO:** se refiere a una práctica **no relacionada a lesiones corporales** que de no evitarse, **puede resultar en daños a la propiedad**.

SI TIENE ALGUNA DUDA O ALGÚN COMENTARIO SOBRE ÉSTA U OTRA HERRAMIENTA DEWALT, LLÁMENOS AL NÚMERO GRATUITO: **1-800-4-DEWALT (1-800-433-9258)**.

**▲ADVERTENCIA:** Para reducir el riesgo de lesiones, lea el manual de instrucciones.

## Advertencias generales de seguridad para herramientas eléctricas

**▲ADVERTENCIA!** *Lea todas las advertencias de seguridad e instrucciones. El incumplimiento de las advertencias e instrucciones pueden provocar descargas eléctricas, incendios o lesiones graves.*

## CONSERVE TODAS LAS ADVERTENCIAS E INSTRUCCIONES PARA FUTURAS CONSULTAS.

El término “herramienta eléctrica” incluido en las advertencias hace referencia a las herramientas eléctricas operadas con corriente (con cable eléctrico) o a las herramientas eléctricas operadas con baterías (inalámbricas).

### 1) SEGURIDAD EN EL ÁREA DE TRABAJO

- Mantenga el área de trabajo limpia y bien iluminada.** Las áreas abarrotadas y oscuras propician accidentes.
- No opere las herramientas eléctricas en atmósferas explosivas, como ambientes donde haya polvo, gases o líquidos inflamables.** Las herramientas eléctricas originan chispas que pueden encender el polvo o los vapores.
- Mantenga alejados a los niños y a los espectadores de la herramienta eléctrica en funcionamiento.** Las distracciones pueden provocar la pérdida de control.

### 2) SEGURIDAD ELÉCTRICA

- Los enchufes de la herramienta eléctrica deben adaptarse al tomacorriente. Nunca modifique el enchufe de ninguna manera. No utilice ningún enchufe adaptador con herramientas eléctricas con conexión a tierra.** Los enchufes no modificados y que se adaptan a los tomacorrientes reducirán el riesgo de descarga eléctrica.
- Evite el contacto corporal con superficies con descargas a tierra como, por ejemplo, tuberías, radiadores, cocinas eléctricas y refrigeradores.** Existe mayor riesgo de descarga eléctrica si su cuerpo está puesto a tierra.
- No exponga las herramientas eléctricas a la lluvia o a condiciones de humedad.** Si entra agua a una herramienta eléctrica, aumentará el riesgo de descarga eléctrica.
- No maltrate el cable. Nunca utilice el cable para transportar, tirar o desenchufar la herramienta eléctrica. Mantenga el cable alejado del calor, el aceite, los bordes filosos y las piezas móviles.** Los cables dañados o enredados aumentan el riesgo de descarga eléctrica.

e) **Al operar una herramienta eléctrica en el exterior, utilice un cable prolongador adecuado para tal uso.** Utilice un cable adecuado para uso en exteriores a fin de reducir el riesgo de descarga eléctrica.

f) **Si el uso de una herramienta eléctrica en un lugar húmedo es imposible de evitar, utilice un suministro protegido con un interruptor de circuito por falla a tierra (GFCI).** El uso de un GFCI reduce el riesgo de descargas eléctricas.

### 3) SEGURIDAD PERSONAL

- Permanezca alerta, controle lo que está haciendo y utilice el sentido común cuando emplee una herramienta eléctrica. No utilice una herramienta eléctrica si está cansado o bajo el efecto de drogas, alcohol o medicamentos.** Un momento de descuido mientras se opera una herramienta eléctrica pueden provocar lesiones personales graves.
- Utilice equipos de protección personal. Siempre utilice protección para los ojos.** En las condiciones adecuadas, el uso de equipos de protección, como máscaras para polvo, calzado de seguridad antideslizante, cascos o protección auditiva, reducirá las lesiones personales.
- Evite el encendido por accidente. Asegúrese de que el interruptor esté en la posición de apagado antes de conectarlo a la fuente de energía o paquete de baterías, o antes de levantar o transportar la herramienta.** Transportar herramientas eléctricas con el dedo apoyado en el interruptor o enchufar herramientas eléctricas con el interruptor en la posición de encendido puede propiciar accidentes.
- Retire la clavija de ajuste o la llave de tuercas antes de encender la herramienta eléctrica.** Una llave de tuercas o una clavija de ajuste que quede conectada a una pieza giratoria de la herramienta eléctrica puede provocar lesiones personales.
- No se estire. Conserve el equilibrio y párese adecuadamente en todo momento.** Esto permite un mejor control de la herramienta eléctrica en situaciones inesperadas.
- Use la vestimenta adecuada. No use ropas holgadas ni joyas. Mantenga el cabello, la ropa y los guantes alejados de las piezas en movimiento.** Las piezas en movimiento pueden atrapar prendas de vestir sueltas, joyas o el cabello largo.
- Si se suministran dispositivos para la conexión de accesorios con fines de recolección y extracción de polvo, asegúrese de que estén conectados y que se utilicen correctamente.** El uso de dispositivos de recolección de polvo puede reducir los peligros relacionados con el polvo.

### 4) USO Y MANTENIMIENTO DE LA HERRAMIENTA ELÉCTRICA

- No fuerce la herramienta eléctrica. Utilice la herramienta eléctrica correcta para el trabajo que realizará.** Si se la utiliza a la velocidad para la que fue diseñada, la herramienta eléctrica correcta permite trabajar mejor y de manera más segura.
- No utilice la herramienta eléctrica si no puede encenderla o apagarla con el interruptor.** Toda herramienta eléctrica que no pueda ser controlada mediante el interruptor es peligrosa y debe repararse.
- Desconecte el enchufe de la fuente de energía o el paquete de baterías de la herramienta eléctrica antes de realizar ajustes, cambiar accesorios o guardar la herramienta eléctrica.** Estas medidas de seguridad preventivas reducen el riesgo de encender la herramienta eléctrica en forma accidental.
- Guarde la herramienta eléctrica que no esté en uso fuera del alcance de los niños y no permita que otras personas no familiarizadas con ella o con estas instrucciones operen la herramienta.** Las herramientas eléctricas son peligrosas si son operadas por usuarios no capacitados.
- Realice el mantenimiento de las herramientas eléctricas. Revise que no haya piezas en movimiento mal alineadas o trabadas, piezas rotas o cualquier otra situación que pueda afectar el funcionamiento de la herramienta eléctrica. Si encuentra daños, haga reparar la herramienta eléctrica antes de utilizarla.** Se producen muchos accidentes a causa de las herramientas eléctricas que carecen de un mantenimiento adecuado.
- Mantenga las herramientas de corte afiladas y limpias.** Las herramientas de corte con el mantenimiento adecuado y con los bordes de corte afilados son menos propensas a trabarse y son más fáciles de controlar.
- Utilice la herramienta eléctrica, los accesorios y las brocas de la herramienta, etc. de acuerdo con estas instrucciones y teniendo en cuenta las condiciones de trabajo y el trabajo que debe realizarse.** El uso de la herramienta eléctrica para operaciones diferentes de aquéllas para las que fue diseñada podría originar una situación peligrosa.

### 5) MANTENIMIENTO

- Solicite a una persona calificada en reparaciones que realice el mantenimiento de su herramienta eléctrica y que solo utilice piezas de repuesto idénticas.** Esto garantizará la seguridad de la herramienta eléctrica.

## Instrucciones de seguridad adicionales para lijadoras

- Los accesorios deben estar clasificados por lo menos para la velocidad recomendada en la etiqueta de advertencia de la herramienta.** Si funcionan a velocidades superiores a la prevista, los discos y otros accesorios pueden deshacerse y provocar lesiones. Las especificaciones de los accesorios deben encontrarse a una velocidad de disco superior a la mínima registrada en la placa nominal de la herramienta.
- Sujete la herramienta por sus empuñaduras aisladas si lleva a cabo una operación en que la herramienta pueda tocar cables eléctricos ocultos o su propio cable.** El contacto con un cable activo provocará que las piezas metálicas de la herramienta se carguen y que el operador reciba una descarga eléctrica.
- Al lijar, use siempre protección ocular y respiratoria.**
- No se recomienda el lijado de pintura con base de plomo.** Ver Precauciones para el lijado de pintura para mayor información antes de lijar pintura.
- No haga funcionar la unidad sin la bolsa de recolección de polvo.**
- Limpie su herramienta periódicamente.**
- Vacíe la bolsa de recolección de polvo con frecuencia, especialmente cuando lije superficies recubiertas con resinas como poliuretano, esmalte, laca, etc.** Disponga de las partículas de polvo recubiertas según las pautas del fabricante del acabado o póngalas en un contenedor de metal con una tapa de metal hermética. Retire las partículas de polvo recubiertas del local a diario. La acumulación de partículas de polvo provenientes del lijado fino, puede encenderse y causar incendios.
- Los orificios de ventilación suelen cubrir piezas en movimiento, por lo que también se deben evitar.** Las piezas en movimiento pueden atrapar prendas de vestir sueltas, joyas o el cabello largo.
- El cable de extensión debe ser de un calibre apropiado para su seguridad (AWG o American Wire Gauge).** Mientras menor sea el calibre del hilo, mayor la capacidad del cable. Es decir, un hilo calibre 16 tiene mayor capacidad que uno de 18. Un cable de un calibre insuficiente causará una caída en la tensión de la línea dando por resultado una pérdida de energía y sobrecalentamiento. Cuando se utilice más de un alargador para completar el largo total, asegúrese que los hilos de cada alargador tengan el calibre mínimo. La tabla siguiente muestra el tamaño correcto a utilizar, dependiendo de la longitud del cable y del amperaje nominal de la placa de identificación. Si tiene dudas sobre cuál calibre usar, use un calibre mayor. Cuanto más pequeño sea el número del calibre, más resistente será el cable.

Calibre mínimo para cables de alimentación					
Amperaje		Voltios		Longitud total del cordón en pies (metros)	
		120 V	240 V	25 (7,6)	50 (15,2)
Más de	No más de	AWG			
0	6		18	16	14
6	10		18	16	12
10	12		16	16	12
12	16		14	12	No recomendado

**▲ADVERTENCIA: USE SIEMPRE** lentes de seguridad. Las gafas de uso diario NO SON LENTES de seguridad. Utilice además una cubrebocas o mascarilla antipolvo si la operación de corte genera demasiado polvo. SIEMPRE LLEVE EQUIPO DE SEGURIDAD CERTIFICADO:

- Protección ocular ANSI Z87.1 (CAN/CSA Z94.3).
- Protección auditiva ANSI S12.6 (S3.19).
- Protección respiratoria NIOSH/OSHA/MSHA.

**▲ADVERTENCIA:** Algunas partículas de polvo generadas al lijar, serrar, esmerilar y taladrar con herramientas eléctricas, así como al realizar otras actividades de construcción, contienen químicos que el Estado de California sabe que pueden producir cáncer, defectos congénitos u otras afecciones reproductivas. Ejemplos de estos químicos son:

- plomo de algunas pinturas a base de plomo,
- polvo de sílice proveniente de ladrillos y cemento y otros productos de albañilería, y
- arsénico y cromo provenientes de madera tratada químicamente.

*Su riesgo de exposición a estos químicos varía, dependiendo de la frecuencia con la cual realiza este tipo de trabajos. Para reducir su exposición a estas sustancias químicas: trabaje en una zona bien ventilada y llevando equipos de seguridad aprobados, como mascarillas antipolvo especialmente diseñadas para filtrar partículas microscópicas.*

- Evite el contacto prolongado con polvo generado por el lijado, aserrado, pulido, taladrado y otras actividades de construcción. Vista ropas protectoras y lave las áreas de la piel expuestas con agua y jabón.** *Si permite que el polvo se introduzca en la boca u ojos o quede sobre la piel, puede favorecer la absorción de productos químicos peligrosos.*

**⚠ADVERTENCIA:** *La utilización de esta herramienta puede generar polvo o dispersarlo, lo que podría causar daños graves y permanentes al sistema respiratorio, así como otras lesiones. Siempre use protección respiratoria aprobada por NIOSH (Instituto Nacional de Seguridad y Salud en el Trabajo) u OSHA (Administración de Seguridad y Salud en el Trabajo) apropiada para la exposición al polvo. Dirija las partículas en dirección contraria a la cara y el cuerpo.*

**⚠ADVERTENCIA: Siempre lleve la debida protección auditiva personal en conformidad con ANSI S12.6 (S3.19) durante el uso de esta herramienta.** *Bajo algunas condiciones y duraciones de uso, el ruido producido por este producto puede contribuir a la pérdida auditiva.*

- La etiqueta de su herramienta puede incluir los siguientes símbolos. A continuación se indican los símbolos y sus definiciones:*

V.....voltios	A..... amperios
Hz.....hertz	W..... vatios
min .....minutos	~ ..... corriente alterna
==== .....corriente directa	⌚ ..... corriente alterna o directa
Ⓛ..... Construcción de Clase I (tierra)	n <sub>o</sub> ..... velocidad sin carga
Ⓜ..... Construcción de Clase II) (doble aislamiento)	n ..... velocidad nominal
.../min .....por minuto	Ⓢ ..... terminal de conexión a tierra
IPM.....impactos por minuto	⚠..... símbolo de advertencia de seguridad
sfpm.....pies de superficie por minuto	BPM ..... golpes por minuto
SPM.....pasadas por minuto	RPM ..... revoluciones por minuto
	OPM..... Orbits por minuto

## GUARDE ESTAS INSTRUCCIONES PARA FUTURAS CONSULTAS

### Motor

Asegúrese de que la fuente de energía concuerde con lo que se indica en la placa. Un descenso en el voltaje de más del 10 % producirá una pérdida de potencia y sobrecalentamiento. Todas las herramientas DEWALT son probadas en fábrica; si esta herramienta no funciona, verifique el suministro eléctrico.

### COMPONENTES (FIG. 1)

- |                                      |   |
|--------------------------------------|---|
| A. Conmutador de encendido y apagado | G. Palancas de sujeción lateral               |
| B. Abrazadera delantera del papel    | H. Pestañas de sujeción                       |
| C. Botón de la abrazadera delantera  | I. Adaptador para aspiradoras                 |
| D. Placa/almohadilla de la base      | J. Bolsa de recolección de polvo              |
| E. Canales de retención del papel    | K. Cuello de la bolsa de recolección de polvo |
| F. Abrazadera trasera del papel      |   |

### MONTAJE Y AJUSTES

**⚠ADVERTENCIA:** *Para reducir el riesgo de lesiones personales graves, apague la herramienta y desconéctela de la fuente de alimentación antes de instalar y retirar accesorios, ajustar o cambiar configuraciones o realizar reparaciones. Un arranque accidental podría causar lesiones.*

### Instalación del papel abrasivo (Fig. 2–6)

**⚠ATENCIÓN:** *Apague y desenchufe la herramienta antes de hacer cualquier ajuste o de quitar o instalar accesorios. Asegúrese de que el interruptor esté en posición OFF (apagado).*

Su lijadora está diseñada para utilizar hojas de lijado de 1/4. Puede comprar las hojas de papel de lija ya cortadas de 114,3 x 139,7 mm (4-1/2 x 5-1/2 pulg.).

#### PARA CORTAR EL PAPEL DE LIJA DE 114,3 X 139,7 MM (4-1/2 X 5-1/2 PULG.)

- Corte un pliego entero de papel de lija (229 x 279 mm o 9 x 11 pulg.) en cuatro hojas de 1/4 de 114,3 x 139,7 mm (4-1/2 x 5-1/2 pulg.).
- Corte medio pliego de papel de lija en dos hojas de 114,3 x 139,7 mm (4-1/2 x 5-1/2 pulg.).

#### COLOCACIÓN DEL PAPEL DE LIJA REGULAR (FIG. 2-5)

Para el uso regular de la herramienta, instale el papel abrasivo en su unidad de la siguiente manera:

- Ablande el papel nuevo poniéndolo contra el borde de 90° de una mesa u otro borde recto y tirando de él, como se muestra en la Figura 2. Concéntrese en ablandar los bordes que serán sujetados por el dispositivo de sujeción.
- Libere la abrazadera trasera del papel (F) tirando hacia arriba las palancas de sujeción lateral (G) y desacoplando de las pestañas de sujeción (H) en la placa/almohadilla de base (D) como se muestra en la Figura 3.
- Desacople la abrazadera delantera del papel (B, Fig. 4) aplicando y manteniendo presión en el botón de la abrazadera delantera (C) mientras inserta el borde de 115 mm (4-1/2 pulg.) del papel abrasivo debajo de la abrazadera delantera del papel (B) hasta que toque los canales de retención del papel (E). Libere la abrazadera delantera de papel para sujetar el frente del papel.
- Estire el papel sobre la placa/almohadilla de base (D) y comience a girar la abrazadera trasera del papel (F) alrededor de su posición de bloqueo. Bloquee una palanca de sujeción lateral (G) colocándola detrás de la pestaña de sujeción (H, Fig. 5) en la placa/almohadilla de base y luego repita con la segunda palanca de abrazadera lateral.
- Si está utilizando la utilidad de extracción de polvo, perforo el papel de lija (ver **Perforador**).

#### COLOCACIÓN DEL GANCHO Y LAS HOJAS DE LIJA CIRCULAR (FIG. 6)

- Coloque la herramienta en una mesa, con la placa/almohadilla de base (D) hacia arriba.
- Coloque la hoja de lija directamente sobre la placa/almohadilla de base (D).
- Sostenga la placa/almohadilla de base con una mano y alinee los orificios de extracción de polvo (L).
- Presione la hoja firmemente en la placa/almohadilla de base.

### Conmutador (Fig. 1)

Para encender la unidad, presione el conmutador protegido contra polvo (A) por el lado con el símbolo “I”. Para apagarla, presione el lado del conmutador con el símbolo “O”.

### Perforador (Fig. 7)

**⚠ATENCIÓN:** *Apague y desenchufe la herramienta antes de hacer cualquier ajuste o de quitar o instalar accesorios. Asegúrese de que el interruptor esté en posición OFF (apagado).*

Su lijadora viene con un perforador (H) que le permite perforar papel de lija normal y así permitir la recolección de polvo.

#### PARA PERFORAR SU PAPEL DE LIJA

Instale el papel de lija en la herramienta, como se señala en este manual. Con la lijadora apagada y desenchufada, coloque el perforador en el papel de modo que las lengüetas en los bordes del perforador estén contra dos lados adyacentes de la almohadilla de lijado, como se muestra en la figura. Presione el perforador contra la almohadilla de modo que los 8 puntos penetren el papel, como se muestra en la Figura 7. (Presione el perforador contra la almohadilla, lo más que pueda.) Retire el perforador y el papel estará listo.

Otra forma de perforar el papel es fijar el perforador bien a una superficie de trabajo adecuada. El perforador viene con dos orificios para este propósito. Use tornillos de cabeza plana #8. Presione la lijadora (con el papel insertado) contra el perforador.

### Extracción de polvo (Fig. 1, 8)

Su lijadora tiene un adaptador para aspiradoras integrado (I) que permite la conexión de la bolsa de recolección de polvo (J) provista o un sistema de aspiradoras del taller. La salida integrada utiliza la conexión DEWALT AirLock para que sea compatible con el extractor de polvo DEWALT.

#### PARA COLOCAR LA BOLSA DE RECOLECCIÓN DE POLVO

- Mientras sostiene la lijadora, coloque el cuello de la bolsa de recolección de polvo (K) al adaptador para aspiradoras (I) como se muestra en la Figura 8.
- Gire el cuello (K) en sentido horario para bloquear la bolsa de recolección de polvo (J) en su lugar.

#### PARA VACIAR LA BOLSA DE RECOLECCIÓN DE POLVO

- Mientras sujeta la lijadora, gire el cuello (K) en sentido antihorario para desbloquear la bolsa de recolección de polvo (J).
- Quite la bolsa de recolección de polvo de la lijadora y sacuda o golpee ligeramente la bolsa para vaciarla.
- Vuelva a colocar la bolsa de recolección de polvo en la salida y bloquee en su lugar girando el cuello de la bolsa de recolección de polvo en sentido horario.

Existe la posibilidad de que no todo el polvo se salga solo de la bolsa. Esto no afectará el desempeño de la lijadora pero sí reducirá la eficiencia en la recolección de polvo de la lijadora. Para recuperar la eficiencia de recolección de polvo de su lijadora, presione el resorte dentro de la bolsa de recolección de polvo cuando la esté vaciando y golpéela contra el lado del basurero o recipiente de polvo.

**⚠PRECAUCIÓN:** *Nunca opere estas herramientas si no tienen el colector de polvo instalado. La expulsión de polvo de lijado podría provocar un riesgo para la respiración.*

### FUNCIONAMIENTO

**⚠ADVERTENCIA:** *Para reducir el riesgo de lesiones personales graves, apague la herramienta y desconéctela de la fuente de alimentación antes de instalar y retirar accesorios, ajustar o cambiar configuraciones o realizar reparaciones. Un arranque accidental podría causar lesiones.*

**AVISO:** *Esta lijadora no debe usarse en aplicaciones de yeso.*

Para operar su lijadora, tómela como aparece en las Figuras 9A o 9B y enciéndala. Mueva la unidad con desplazamientos de barrido amplios a lo largo de la superficie a lijar, dejando que la lijadora haga el trabajo. Apretar hacia abajo la herramienta mientras se lija disminuye de hecho la velocidad de eliminación y genera una superficie de menor calidad. Verifique los resultados a menudo: esta lijadora puede eliminar material muy rápidamente, especialmente si utiliza papel grueso.

Su lijadora está diseñada para lijar al ras en tres lados para lijar rincones y su tamaño y peso la hacen ideal para realizar trabajos en altura.

La acción orbital de su lijadora le permite lijar en la dirección de la veta o en cualquier ángulo en contra de ella, para la mayoría de los trabajos de lijado. En los últimos pasos de lijado, como se analiza más abajo, tendrá un mejor resultado si sólo lija en la dirección de la veta.

Para que el acabado sea el mejor posible, empiece con papel de lija grueso y cambie progresivamente a otros cada vez más finos. Un lijado final con un pedazo de papel de lija bastante desgastado producirá un acabado profesional que en muchos casos no requerirá lijado a mano. La velocidad a la cual se llena la bolsa de recolección de polvo variará de acuerdo al tipo de material a lijar y el grosor del papel de lija. Para mejores resultados, vacíe la bolsa con frecuencia y revise la apertura para verificar que no haya nada atorado.

Al lijar superficies pintadas, puede suceder que el papel de lija se cargue y tape con la pintura. Es mucho mejor usar una pistola térmica para eliminar la pintura antes de lijar. SIGA TODAS LAS INSTRUCCIONES DE SEGURIDAD DEL MANUAL DE INSTRUCCIONES DE LA PISTOLA TÉRMICA.

### Precauciones a tomar cuando lije pintura

- El lijado de pinturas con base de plomo NO SE RECOMIENDA debido a la dificultad de control del polvo contaminado El envenenamiento por plomo es más peligroso para niños y mujeres embarazadas.
- Ya que es difícil identificar si una pintura contiene plomo o no, sin antes hacer un análisis químico, le recomendamos que se tomen las siguientes precauciones cuando lije cualquier pintura:

#### SEGURIDAD PERSONAL

- Ningún niño o mujer embarazada debería entrar al área de trabajo donde se está lijando la pintura hasta que se termine de limpiar el área.
- Toda persona que entre al área de trabajo debe usar una máscara antipolvo o respirador. El filtro debería ser reemplazado a diario o cuando el usuario tenga dificultades para respirar. Visite su ferretería local para obtener una máscara antipolvo apropiada, aprobada por NIOSH.
- NO se debe COMER, BEBER ni FUMAR en la zona de trabajo, para evitar la ingestión de partículas de pintura contaminadas. Los trabajadores deberán lavarse bien ANTES de comer, beber o fumar. No debe dejarse comida, bebida ni tabaco en la zona de trabajo, donde el polvo se podría posar sobre ellos.

#### SEGURIDAD MEDIOAMBIENTAL

- La pintura debe ser quitada de tal manera que se minimice la cantidad de polvo generada.
- Aquellas áreas en las que se está quitando pintura deberían ser selladas con láminas de plástico de 4 mm de grosor.
- El lijado debería hacerse de modo que se reduzca la cantidad de polvo de pintura que se lleve afuera.

#### LIMPIEZA Y ELIMINACIÓN

- Todas las superficies de la zona de trabajo deben de ser aspiradas y limpiadas en profundidad todos los días mientras dure el proyecto de lijado. Las bolsas de filtrado de la aspiradora se deben cambiar con frecuencia.
- Disponga de cubiertas plásticas junto con cualquier astilla de polvo u otro desecho del proceso de lijado. Deberán colocarse en un recipiente para desechos sellado y eliminarse de acuerdo con los procedimientos de eliminación de la basura normal. Durante la limpieza, mantenga alejados a niños y mujeres embarazadas de la zona de trabajo.
- Todos los juguetes, muebles lavables y utensilios usados por niños deberán lavarse a fondo antes de volverlos a usar.

### Cuidado de la herramienta

- Mantenga la lijadora tan limpia como sea posible, pasándole un trapo limpio y soplando aire a través de ella cada cinco horas de funcionamiento.
- No utilice químicos o solventes fuertes para limpiar la herramienta. Estos químicos podrían causar graves daños al plástico.
- Evite sobrecargar la lijadora. Las sobrecargas resultarán en una velocidad y eficiencia considerablemente menores y la unidad se calentará. En este caso, opere la lijadora sin carga por uno o dos minutos.
- Su distribuidor local o centro de servicio autorizado debe completar la inspección y reemplazo de las escobillas.

### MANTENIMIENTO

**⚠ADVERTENCIA:** *Para reducir el riesgo de lesiones personales graves, apague la herramienta y desconéctela de la fuente de alimentación antes de instalar y retirar accesorios, ajustar o cambiar configuraciones o realizar reparaciones. Un arranque accidental podría causar lesiones.*

### Limpieza

**⚠ADVERTENCIA:** *Sople la suciedad y el polvo de todos los conductos de ventilación con aire seco, al menos una vez por semana. Para reducir el riesgo de lesiones, utilice siempre protección para los ojos aprobada ANSI Z87.1 al realizar esta tarea.*

**⚠ADVERTENCIA:** *Nunca utilice solventes ni otros químicos abrasivos para limpiar las piezas no metálicas de la herramienta. Estos productos químicos pueden debilitar los materiales plásticos utilizados en estas piezas. Utilice un paño humedecido sólo con agua y jabón neutro. Nunca permita que penetre líquido dentro de la herramienta ni sumerja ninguna de las piezas en un líquido.*

### Accesorios

**⚠ADVERTENCIA:** *Debido a que no se han probado con este producto otros accesorios que no sean los que ofrece DEWALT, el uso de dichos accesorios con esta herramienta podría ser peligroso. Para reducir el riesgo de lesiones, con este producto deben usarse sólo los accesorios recomendados por DEWALT.*

Los accesorios que se recomiendan para utilizar con la herramienta están disponibles a un costo adicional en su distribuidor local o en un centro de mantenimiento autorizado. Si necesita ayuda para localizar algún accesorio, póngase en contacto con DEWALT Industrial Tool Co., 701 East Joppa Road, Towson, MD 21286, llame al 1-800-4-DEWALT (1-800-433-9258) o visite nuestro sitio Web: www.dewalt.com.

## Lubricación

La herramienta incorpora cojinetes autolubrificantes, por lo que no requiere lubricación periódica. Sin embargo, se recomienda que una vez al año un centro de servicio proceda a una inspección y limpieza a fondo de la herramienta.

## Reparaciones

Para asegurar la SEGURIDAD y la CONFIABILIDAD del producto, las reparaciones, el mantenimiento y los ajustes deben (inclusive inspección y cambio de carbones) ser realizados en un centro de mantenimiento en la fábrica DEWALT, un centro de mantenimiento autorizado DEWALT o por otro personal de mantenimiento calificado. Utilice siempre piezas de repuesto idénticas.

## Regístrese en línea

Gracias por su compra. Registre su producto ahora para:

- **SERVICIO DE GARANTÍA:** Registrar su producto lo ayudará a obtener un servicio de garantía más eficiente, en caso de que exista un problema con su producto.
- **CONFIRMACIÓN DE PROPIEDAD:** En caso de una pérdida que cubra el seguro, como un incendio, una inundación o un robo, el registro de propiedad servirá como comprobante de compra.
- **PARA SU SEGURIDAD:** Si registra el producto, podremos comunicarnos con usted en el caso improbable que se deba enviar una notificación de seguridad conforme a la Federal Consumer Safety Act (Ley Federal de Seguridad de Productos para el Consumidor).

Registro en línea en [www.dewalt.com/register](http://www.dewalt.com/register).

## Garantía limitada por tres años

DEWALT reparará, sin cargo, cualquier falla que surja de defectos en el material o la fabricación del producto, por hasta tres años a contar de la fecha de compra. Esta garantía no cubre fallas de las piezas causadas por su desgaste normal o abuso a la herramienta. Para mayores detalles sobre la cobertura de la garantía e información acerca de reparaciones realizadas bajo garantía, visítenos en [www.dewalt.com](http://www.dewalt.com) o llame al 1-800-4-DEWALT (1-800-433-9258). Esta garantía no aplica a accesorios o a daños causados por reparaciones realizadas o intentadas por terceros. Esta garantía le otorga derechos legales específicos, además de los cuales puede tener otros dependiendo del estado o la provincia en que se encuentre.

Además de la garantía, las herramientas DEWALT están cubiertas por:

### 1 AÑO DE SERVICIO GRATUITO

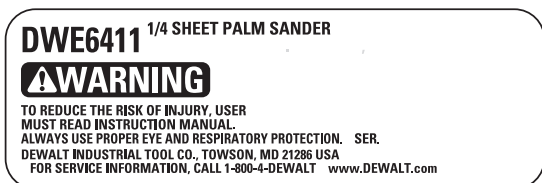
DEWALT mantendrá la herramienta y reemplazará las piezas gastadas por su uso normal, sin cobro, en cualquier momento durante un año a contar de la fecha de compra.

### GARANTÍA DE REEMBOLSO DE SU DINERO POR 90 DÍAS

Si no está completamente satisfecho con el desempeño de su máquina herramienta, láser o clavadora DEWALT, cualquiera sea el motivo, podrá devolverlo hasta 90 días de la fecha de compra con su recibo y obtener el reembolso completo de su dinero - sin necesidad de responder a ninguna pregunta.

**AMÉRICA LATINA:** Esta garantía no se aplica a los productos que se venden en América Latina. Para los productos que se venden en América Latina, debe consultar la información de la garantía específica del país que viene en el empaque, llamar a la compañía local o visitar el sitio Web a fin de obtener esa información.

**REEMPLAZO GRATUITO DE LAS ETIQUETAS DE ADVERTENCIAS:** Si sus etiquetas de advertencia son ilegibles o faltan, llame al 1-800-4-DEWALT (1-800-433-9258) para que se le reemplacen gratuitamente.



## ESPECIFICACIONES

### DWE6411

Tension de alimentación	120 V CA ~
Consumo de corriente	2,3 A
Frecuencia de operación	60 Hz