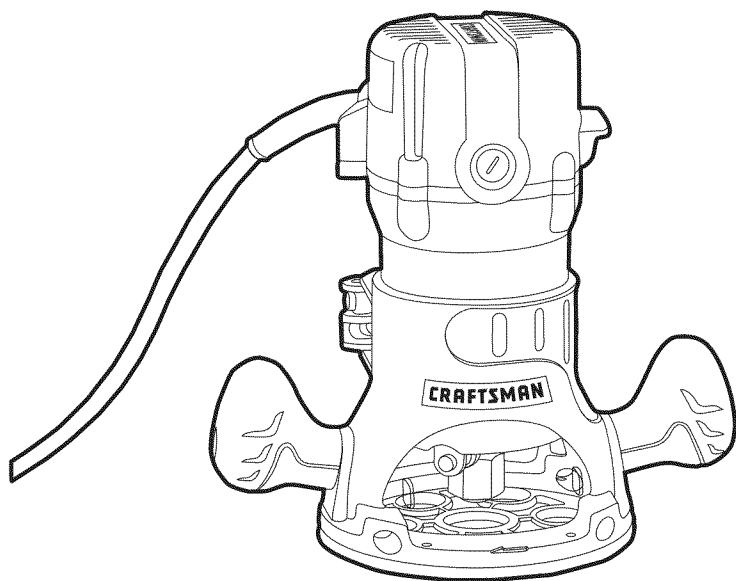


Operator's Manual

CRAFTSMAN®

9.5 Amp 1-3/4 Peak HP Fixed Base Router

Model No. 320.37595



▲ WARNING: To reduce the risk of injury, the user must read and understand the Operator's manual before using this product.

- WARRANTY
- SAFETY
- UNPACKING
- DESCRIPTION
- OPERATION
- ADJUSTMENTS
- MAINTENANCE

Sears Brands Management Corporation, Hoffman Estates,
IL 60179 U.S.A.

www.craftsman.com

TABLE OF CONTENTS

Warranty	Page 2
Safety Symbols	Pages 4-5
Safety Instruction	Pages 6-10
Unpacking	Page 11
Description	Pages 12-14
Assembly	Pages 14-17
Operation	Pages 18-29
Maintenance	Pages 30-31
Accessories	Pages 32-33
Parts List	Pages 34-36

CRAFTSMAN ONE YEAR LIMITED WARRANTY

FOR ONE YEAR from the date of purchase, this product is warranted against any defects in material or workmanship. With proof of purchase, defective product will be replaced free of charge.

For warranty coverage details to obtain free replacement, visit the web site: www.craftsman.com

This warranty is void if this product is ever used while providing commercial services or if rented to another person.

This warranty gives you specific legal rights, and you may also have other rights which vary from state to state.

Sears Brands Management Corporation, Hoffman Estates, IL 60179

SAVE THESE INSTRUCTIONS!

READ ALL INSTRUCTIONS!

⚠ DANGER: People with electronic devices, such as pacemakers, should consult their physician(s) before using this product. Operation of electrical equipment in close proximity to a heart pacemaker could cause interference or failure of the pacemaker.

⚠ WARNING: Some dust created by power sanding, sawing, grinding, drilling and other construction activities contains chemicals known to the state of California to cause cancer, birth defects or other reproductive harm. Some examples of these chemicals are:

- Lead from lead-based paints,
- Crystalline silica from bricks and cement and other masonry products, and
- Arsenic and chromium from chemically-treated lumber.

Your risk from these exposures varies, depending on how often you do this type of work. To reduce your exposure to these chemical: work in a well ventilated area, and work with approved safety equipment, such as those dust masks that are specially designed to filter out microscopic particles.

SAFETY SYMBOLS

The purpose of safety symbols is to attract your attention to possible dangers. The safety symbols and the explanations with them deserve your careful attention and understanding. The symbol warnings do not, by themselves, eliminate any danger. The instructions and warnings they give are no substitutes for proper accident prevention measures.

⚠ WARNING: Be sure to read and understand all safety instructions in this manual, including all safety alert symbols such as “**DANGER**,” “**WARNING**,” and “**CAUTION**” before using this tool. Failure to follow all instructions listed in this manual may result in electric shock, fire and/or serious personal injury.

SYMBOL SIGNAL MEANING

⚠ SAFETY ALERT SYMBOL: Indicates **DANGER**, **WARNING**, or **CAUTION**; may be used in conjunction with other symbols or pictographs.

⚠ DANGER: Indicates a hazardous situation which, if not avoided, will result in death or serious injury.

⚠ WARNING: Indicates a hazardous situation which, if not avoided, could result in death or serious injury.

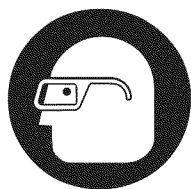
⚠ CAUTION: Indicates a hazardous situation which, if not avoided, could result in minor or moderate injury.

Damage prevention and Information Messages

These inform the user of important information and/or instructions that could lead to equipment or other property damage if they are not followed. Each message is preceded by the word “NOTICE”, as in the example below:

NOTICE: Equipment and/or property damage may result if these instructions are not followed.









⚠ WARNING: To ensure safety and reliability, all repairs should be performed by a qualified service technician.



⚠ WARNING: The operation of any power tools can result in foreign objects being thrown into your eyes, which can result in severe eye damage. Before beginning power tool operation, always wear safety goggles or safety glasses with side shields and a full face shield when needed. We recommend a Wide Vision Safety Mask for use over eyeglasses or standard safety glasses with side shields. Always use eye protection which is marked to comply with ANSI Z87.1.

SAVE THESE INSTRUCTIONS

Some of these following symbols may be used on this tool. Please study them and learn their meaning. Proper interpretation of these symbols will allow you to operate the tool better and more safely.

SYMBOL	NAME	DESIGNATION/EXPLANATION
V	Volts	Voltage
A	Amperes	Current
Hz	Hertz	Frequency (cycles per second)
W	Watt	Power
min	Minutes	Time
~	Alternating Current	Type of current
≡	Direct Current	Type or a characteristic of current
n_0	No Load Speed	Rotational speed, at no load
	Class II Construction	Double-insulated construction
.../min	Per Minute	Revolutions, strokes, surface speed, orbits, etc., per minute
	Wet Conditions Alert	Do not expose to rain or use in damp locations.
	Read The Operator's Manual	To reduce the risk of injury, user must read and understand operator's manual before using this product.
	Eye Protection	Always wear safety goggles or safety glasses with side shields and a full face shield when operating this product.
	Safety Alert	Precautions that involve your safety.
	No-Hands Symbol	Failure to keep your hands away from the blade will result in serious personal injury.
	No-Hands Symbol	Failure to keep your hands away from the blade will result in serious personal injury.
	No-Hands Symbol	Failure to keep your hands away from the blade will result in serious personal injury.
	No-Hands Symbol	Failure to keep your hands away from the blade will result in serious personal injury.
	Hot Surface	To reduce the risk of injury or damage, avoid contact with any hot surface.

SAFETY INSTRUCTIONS

GENERAL POWER TOOL SAFETY WARNINGS

⚠ WARNING: Read all safety warnings and instructions. Failure to follow the warnings and instructions listed below may result in electric shock, fire, and/or serious personal injury.

Save all warnings and instructions for future reference.

The term “power tool” in all warnings listed below refers to corded power tools or battery-operated (cordless) power tools.

WORK AREA SAFETY

- **Keep your work area clean and well lit.** Cluttered or dark areas invite accidents.
- **Do not operate power tools in explosive environments, such as in the presence of flammable liquids, gases, or dust.** Power tools create sparks, which may ignite the dust or fumes.
- **Keep children and bystanders away while operating a power tool.** Distractions may cause you to lose control.

ELECTRICAL SAFETY

- **Power tool plugs must match the outlet. Never modify the plug in any way. Do not use any adapter plugs with grounded power tools.** Unmodified plugs and matching outlets will reduce the risk of electric shock.
- **Avoid body contact with grounded surfaces, such as pipes, radiators, ranges, and refrigerators.** There is an increased risk of electric shock if your body is grounded.
- **Do not expose power tools to rain or wet conditions.** Water entering a power tool will increase the risk of electric shock.
- **Do not abuse the cord. Never use the cord for carrying, pulling, or unplugging the power tool. Keep the cord away from heat, oil, sharp edges, or moving parts.** Damaged or entangled cords increase the risk of electric shock.
- **When operating a power tool outdoors, use an extension cord suitable for outdoor use.** Use of a cord suitable for outdoor use reduces the risk of electric shock.
- **If operating a power tool in a damp location is unavoidable, use a ground fault circuit interrupter (GFCI) protected supply.** Use of a GFCI reduces the risk of electric shock.

PERSONAL SAFETY

- **Stay alert, watch what you are doing and use common sense when operating a power tool. Do not use the tool while tired or under the influence of drugs, alcohol, or medication.** A moment of inattention while operating power tools may result in serious personal injury.
- **Use personal protective equipment. Always wear eye protection.** Protective equipment, such as a dust mask, non-skid safety shoes, hard hat, or hearing protection, used for appropriate conditions, will reduce personal injuries.
- **Prevent unintentional starting. Ensure that the switch is in the OFF position before connecting to a power source and/or battery, picking up or carrying the tool.** Carrying power tools with your finger on the switch or energizing power tools that have the switch turned on invites accidents.
- **Remove any adjusting key or wrench before turning the power tool on.** A wrench or a key left attached to a rotating part of the power tool may result in personal injury.
- **Do not overreach. Keep proper footing and balance at all times.** This enables better control of the power tool in unexpected situations.
- **Dress properly. Do not wear loose clothing or jewelry. Keep your hair, clothing and gloves away from moving parts.** Loose clothes, jewelry or long hair can be caught in moving parts.
- **If devices are provided for the connection of dust extraction and collection facilities, ensure that these are connected and properly used.** Use of these devices can reduce dust-related hazards.

POWER TOOL USE AND CARE

- **Do not force the power tool. Use the correct power tool for your application.** The correct power tool will do the job better and more safely at the rate for which it was designed.
- **Do not use the power tool if the switch does not turn it on and off.** Any power tool that cannot be controlled with the switch is dangerous and must be repaired.
- **Disconnect the plug from the power source and/or the battery from the power tool before making any adjustments, changing accessories, or storing power tools.** Such preventive safety measures reduce the risk of starting the power tool accidentally.
- **Store idle power tools out of the reach of children and do not allow persons unfamiliar with the power tool or these instructions to operate the power tool.** Power tools are dangerous in the hands of untrained users.
- **Maintain power tools. Check for misalignment or binding of moving parts, breakage of parts and any other condition that may affect the power tool operation. If damaged, have the power tool repaired before use.** Many accidents are caused by poorly maintained power tools.

- **Keep cutting tools sharp and clean.** Properly maintained cutting tools with sharp cutting edges are less likely to bind and are easier to control.
- **Use the power tool, accessories, tool bits, etc. in accordance with these instructions, taking into account the working conditions and the work to be performed.** Use of the power tool for operations different from those intended could result in a hazardous situation.

SERVICE

- **Have your power tool serviced by a qualified repair person using only identical replacement parts.** This will ensure that the safety of the power tool is maintained.
- **Follow instructions in the Maintenance section of this manual.** Use of unauthorized parts or failure to follow Maintenance instructions may create a risk of shock or injury.


SPECIFIC SAFETY RULES FOR ROUTER

- **Hold power tools by the insulated gripping surfaces** when performing an operation where the cutting tool may contact hidden wiring or its own cord. Contact with a “live” wire will make exposed metal parts of the tool “live” and shock the operator.
- **Use clamps or another practical way to support and secure the workpiece to a stable platform.** Holding the work by hand or against your body leaves it unstable and may lead to loss of control.
- **Maintain a firm grip on the router with both hands to resist starting torque.**
- **Never attempt to use the router motor without first installing it in an approved base.** Failure to heed this warning could result in personal injury and damage to the motor.
- **Make sure that the motor housing does not move up or down when clamped in the fixed base. If the motor is not securely clamped into the base, adjustments will not be accurate.**
- **Do not hand-hold the router in an upside down or horizontal position.** The motor can separate from the base if it is not properly attached according to the instructions.
- **Tighten the collets/nut securely to prevent the cutter bit from slipping.** If the collet/nut is not securely tightened, the cutter bit may detach during use, causing serious personal injury.
- **Never tighten a collet/nut without a cutter bit installed in the collet/nut.**
- **Never hold the piece being cut in your hands or across your legs.** It is important to support and clamp the workpiece properly in order to minimize body exposure, bit binding, and loss of control.
- **Always keep the chip shield clean and in place.**

- **Stay alert and clear the router cutter bit path of any obstructions before starting the motor. Keep the cutting area clear of all foreign objects while the motor is running.**
- **Inspect and remove all nails from lumber before routing.**
- **Check to see that the cord will not “hang up” during routing operation.**
- **Make sure that the cutter bit is not in contact with the workpiece before the switch is turned on.**
- **The bit must always be running at the full selected speed before contacting the workpiece.**
- **Keep hands clear of the cutter bit when the motor is running to prevent personal injury.**
- **Provide clearance under the workpiece for the router cutter bit when through-cutting.**
- **Keep cutting pressure constant.** Do not overload the motor.
- **Use only sharp cutter bits that are not chipped or cracked.** Blunt cutter bits will cause stalling and burn the workpiece.
- **Never use this router motor with a cutter bit larger than 3-1/2 inches in diameter.**
- **Always use cutter bits that are designed for this router. Never use cutter bits that are larger in diameter than the opening in the router sub-base.** Cutter bits that have cutter diameters larger than the opening could cause possible loss of control or create other hazardous condition that could cause serious personal injury.
- **The sub-bases on this router have openings of 1-1/4 inch in diameter.** To use cutter bits with a larger diameter, install and use a sub-base with a larger opening.
- **Do not use large router cutter bits for freehand routing.** Use of large cutter bits when freehand routing could cause loss of control or create hazardous conditions that could result in serious personal injury. If using a router table, large bits should be used for edging only.
- **Be sure that the cutter bit is centered in a template guide (sold separately) prior to template guide applications** to avoid personal injury or damage to finished work.
- **Do not remove more than 1/8-inch in a single pass.** Excessive depth of cut can result in loss of control that could result in personal injury.
- **After completing a cut, turn motor OFF and let it come to complete stop before removing router from workpiece.**
- **Let the motor come to a complete stop before putting the router down.** Cutter bits coast after power is turned off.
- **Only use router tables with on-board switch controlled receptacles.** Failure to use router tables with all the appropriate safety features could result in serious personal injury.

- **Disconnect** the tool from the power source before making any adjustments or changing cutter bits.
- **If you are changing a bit immediately after use, be careful not to touch the collet/nut or cutter bit with your hands or fingers.** The heat buildup from cutting could cause severe burns. Always use the wrench provided.
- **Avoid “climb cutting.”** see **“OPERATION”** section in this manual. “Climb cutting” increases the chance for loss of control resulting in possible serious injury.
- **Only use router bits suitable for the no-load speed of the tool.**
- **Never use router bits with a diameter exceeding the maximum diameters specified in the technical data section.**

ADDITIONAL RULES FOR SAFE OPERATION

 **WARNING:** BE SURE to read and understand all instructions. Failure to follow all instructions listed below may result in electric shock, fire and/or serious personal injury.

- **Know your power tool. Read this operator’s manual carefully.** Learn the applications and limitations, as well as the specific potential hazards related to this tool. Following this rule will reduce the risk of electric shock, fire or serious injury.
- **Always wear safety glasses or eye shields when using this router.** Everyday eyeglasses have only impact-resistant lenses; they are not safety glasses.
- **Protect your lungs.** Wear a face mask or dust mask if the operation is dusty.
- **Protect your hearing.** Wear appropriate personal hearing protection during use. Under some conditions noise from this product may contribute to hearing loss.
- **All visitors and bystanders must** wear the same safety equipment that the operator of the router wears.
- **Inspect the tool cords periodically and if damaged have them repaired by a qualified service technician. Be aware of the cord location.**
- **Always check the tool for damaged parts.** Before further use of the tool, a guard or other part that is damaged should be carefully checked to determine if it will operate properly and perform its intended function. Check for misalignment or binding of moving parts, breakage of parts, and any other condition that may affect the tool’s operation. A guard or other part that is damaged should be properly repaired by a qualified service technician.
- **Inspect and remove all nails from lumber before routing.**
- **Save these instructions. Refer to them frequently and use them to instruct others who may use this tool. If someone borrows this tool, make sure they have these instructions also.**

UNPACKING

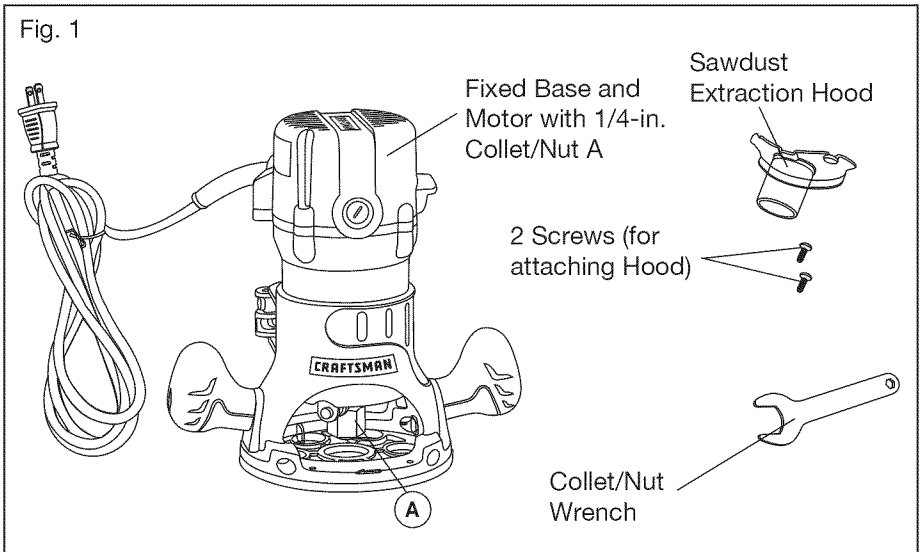
⚠ WARNING: Your router should NEVER be connected to the power source when you are assembling parts, making adjustments, installing or removing collets / nuts, cutter bits, cleaning or when it is not in use. Disconnecting the router will prevent accidental starting, which could cause serious personal injury.

When unpacking the box don't discard any packing materials until all of the contents are accounted for:

1. Carefully lift the Router Motor and Fixed Base with the 1/4-in. collet/nut already installed, out of the carton and place on a stable flat surface.
2. Open the parts bag to locate the following:
 - Sawdust Extraction Hood and 2 Screws used to attach hood to base
 - Collet/Nut wrench
3. Inspect the items carefully to make sure that no breakage or damage has occurred during shipping. If any of the items mentioned are missing, (refer to "PARTS LIST" illustration on page 11), return the router to your nearest Sears store or Craftsman outlet to have the router replaced.

⚠ WARNING: If any parts are broken or missing, DO NOT attempt to plug in the power cord or operate router until the broken or missing parts are replaced. Failure to do so could result in possible serious injury.

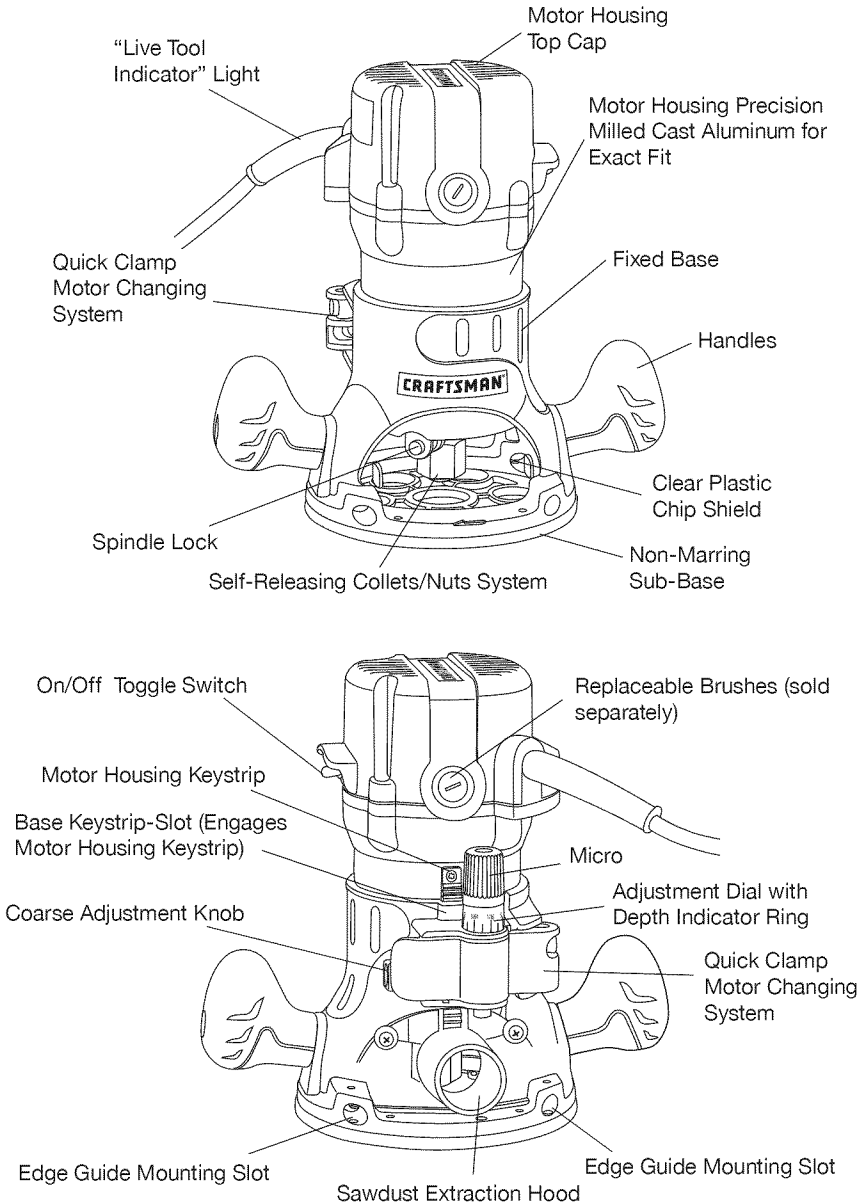
PARTS LIST (Fig. 1)



DESCRIPTION

KNOW YOUR FIXED BASE ROUTER (Fig. 2)

Fig. 2



NOTICE: Before attempting to use your router, familiarize yourself with all of the operating features and safety requirements.

Your fixed base router has a precision-built electric motor and it should only be connected to a 120-volt, 60-Hz AC ONLY power supply (normal household current). **DO NOT** operate on direct current (DC). This large voltage drop will cause a loss of power and the motor will overheat. If the router does not operate when plugged into a correct 120-volt, 60-Hz AC ONLY outlet, check the power supply. This router has a 6-ft., 2-wire power cord (no adapter needed).

This Fixed Base Router has the following features:

1. Powerful, **9.5 Amp Motor** develops **1-3/4 Peak HP** to handle most routing jobs.
2. **Single speed 27,000 RPM (no-load speed)** helps provide a quality finish in most materials.
3. **Fixed Base features Coarse and Fine Depth Adjustments** for accurate set-ups. Ideal for use with router table, sold separately.
4. **Spindle Lock** for easy 1-wrench bit changes. Includes **1/4-in. Self-Releasing Collets/Nuts** for use with a wide variety of 1/4-in. router bits, sold separately. A 1/2 in. collet/nut may be purchased separately for use with 1/2 in. router bits.
5. **100% Ball Bearings** for smooth, efficient operation and long life.
6. Base features **Ergonomically Designed Handles** for comfort, maximum control.
7. **Base features Large Base Opening and Large Chip Shield**, to provide the highest visibility of bit and workpiece.
8. **Durable Non-marring Sub-base** glides smoothly over workpiece. Sub-base has cutter-bit opening of 1-1/4-inches. **Do Not Use** a bit with a cutter diameter larger than 1-1/4-in. as it will not pass through the sub-base opening!
9. **Base** constructed of **Die-Cast Aluminum** to provide durability and stability.
10. **Motor Housing** constructed of **High Density Nylon** and **Precision Milled Cast Aluminum** for strength and exact fit into base.
11. High-impact resistant **Motor Housing Top Cap and Handles on Base** help protect tool from damage.
12. Conveniently located **On/Off Toggle Switch**, side mounted for added visibility, easy access.
13. **Sawdust Extraction Hood** allows base to hook up to 1-1/4-inch vac hose attachment, sold separately.
14. **“LIVE TOOL INDICATOR” Light** is green when saw is plugged into a power source. Light is located on motor housing top cap next to power cord inlet.
15. **Replaceable Brushes** (sold separately) for dependable service.

PRODUCT SPECIFICATIONS	
Rating	9.5 Amps
No-load Speed	27,000 RPM
Peak HP	1-3/4
Input	120 volts, 60Hz AC
Collet/Nut and Cutter Bit Shank Diameter	1/4 in.
Fixed Base Diameter	6 in.
Sub Base Opening (Diameter for cutter bit use)	1-1/4 in.
Sub Base Thickness	0.23 in. (6mm)
Fixed Base Depth of Cut	1-3/4 in. (45mm)

ASSEMBLY

NOTICE: This tool is shipped completely assembled. To install or remove bits or add accessories such as sawdust ejection hoods for hook-up to vacs, see the following instructions.

SELECTING THE CUTTER BIT

This router comes with a 1/4 in. collet/nut that accepts 1/4 in. diameter shanked cutter bits. A 1/2 in. collet/nut may be purchased separately for use with 1/2 in. router bits.

▲ WARNING: Do not use router cutter bits that have a cutter bit diameter larger than 1-1/4 in as they will not fit through the sub-base opening, and will cause damage to the sub-base, the motor, and could cause serious personal injury to the operator.

NOTICE: The sub-base installed on this router has an opening of 1-1/4 in. To use cutting bits with a larger diameter, use a sub-base with a larger opening, sold separately at Sears stores or other Craftsman outlets.

▲ WARNING: ALWAYS turn the motor off and unplug the router before making any adjustments or installing accessories. Failure to unplug the router could result in accidental starting, which can cause serious personal injury.

INSTALLING AND REMOVING THE CUTTER BIT (Figs. 3, 4 and 4a)

INSTALLING THE CUTTER BIT

1. Turn the motor off and disconnect the router from the power source.
2. Remove the motor housing from the fixed base.

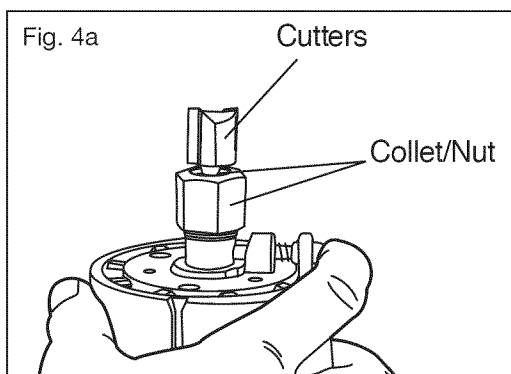
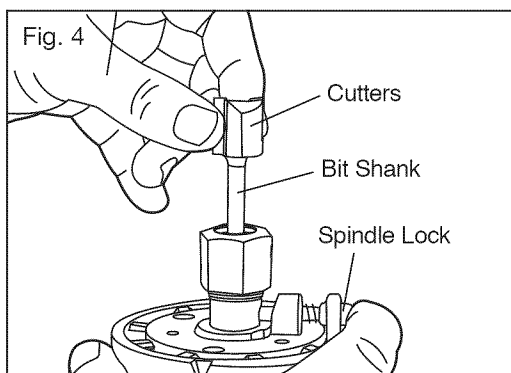
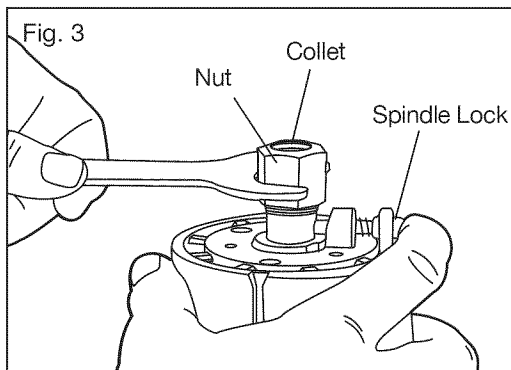
NOTICE: See instructions on for installing and removing the motor housing from the fixed base on page 17.

3. Set the motor upside down on its top cap, with the collet/nut pointing up.
4. Press the spindle lock button to engage and lock the spindle shaft and collet/nut (Fig. 3).
5. Place the wrench on the collet/nut and **turn it counter-clockwise to loosen** collet/nut slightly to accept the cutter bit shank.
6. Insert the cutter bit shank into the collet/nut assembly as far as it will go, then back the shank out until the cutters are approximately 1/8 to 1/4 in away from the face of the collet/nut (Fig. 4, 4a).

7. With the cutter bit inserted and the spindle lock button pressed in to engage the shaft, place the wrench on the collet/nut and turn it clockwise until the router cutter bit and collet/nut are firmly tightened.

▲ WARNING: TIGHTEN THE COLLET/ NUT SECURELY to prevent the cutter bit from slipping. If the collet/nut is not securely tightened, the cutter bit may detach during use, causing serious personal injury.

NOTICE: To ensure proper gripping of the cutter bit shank and minimize run-out, the shank of the cutter bit must be inserted into the collet/nut at least 5/8 in.



NOTICE: To prevent damage to tool, do not tighten the collet/nut without a cutter bit installed.

REMOVING THE CUTTER BIT (Figs. 3 and 4 see page 15)

1. Turn the motor off and disconnect the router from the power source.
2. Remove the motor from the fixed base.
3. Set the motor upside down on its top cap, with the collet/nut pointing up.
4. Press the spindle lock button to engage and lock the spindle shaft and collet/nut (Fig. 3).
5. Place the wrench on the collet/nut and turn it counter- clockwise to loosen the collet/nut slightly; remove the cutter bit shank.

COLLET/NUT CARE

From time to time, inspect the collet/nut to make sure that it is clean and is gripping the cutter bit properly.

With the router cutter bit removed, turn the collet/nut counterclockwise (with the spindle lock engaged) until it is free from the motor's spindle shaft.

Blow the collet out with compressed air and clean the tapered inside of the collet/nut with a tissue or fine brush.

Always make sure that the cutter bit shank, collet/nut and motor spindle are clean and free of woodchips, dust, residue, grease and rust before installing.

Apply a slight amount of machine oil to the spindle shaft if it looks dry. Replace worn or damaged collets/nuts immediately.


NOTICE: The collet/nut is self-releasing; it is NOT necessary to strike the collet/nut to free the router cutter bit. If cutter bit seems stuck after use, loosen the collet/nut a little more until it releases.

CUTTER BITS

Get faster, more accurate cutting results by keeping cutter bits clean and sharp. Remove all accumulated pitch and gum from cutter bits after each use.

When sharpening cutter bits, sharpen only the inside of the cutting edge. Never grind the outside diameter. Be sure, when sharpening the end of a cutter bit, to grind the clearance angle the same as was originally ground.

INSTALLING ROUTER MOTOR IN BASE

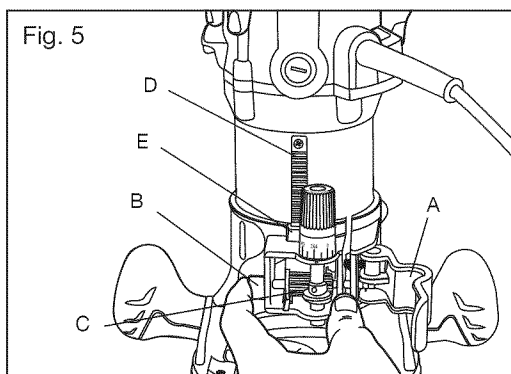
 **WARNING:** NEVER use the router motor without installing it into either an approved fixed or plunge base. Failure to do so could result in serious personal injury and damage to motor.

NOTICE: Before installing motor housing in fixed base, have the collet/nut and router cutter bit you are going to use already installed in motor housing. See page 15 "INSTALLING AND REMOVING THE CUTTER BIT".

⚠ WARNING: ALWAYS turn the motor off and unplug the router from the power source before making any adjustments or installing accessories. Failure to turn the motor off and unplug the router could result in accidental starting which can cause serious personal injury.

INSTALLING ROUTER MOTOR IN BASE (Fig. 5)

1. Turn the motor off and disconnect the router from the power source.
2. Place the fixed base on a flat surface.
3. With the back of the fixed base facing you, open the **motor clamp (A)**.
4. Press in the **coarse adjustment knob (B)** to disengage the **gears (C)** while you align the motor housing's **keystrip (D)** with the **keystrip-slot (E)** in the fixed base.
5. When the motor's keystrip is aligned and engaged into the base's keystrip slot, slide the motor down into the fixed base.
6. The motor will now slide up or down to set coarse adjustments when the coarse adjustment knob is pressed in.
7. After all adjustments are made, close the motor clamp securely.



REMOVING MOTOR FROM BASE (see Fig. 5)

1. Turn the motor off and disconnect the router from the power source.
2. Place the router (fixed base/motor housing) on a flat surface.
3. With the back of the router facing you, open the **motor clamp (A)**.
4. Push in the **coarse adjustment knob (B)** to release the motor housing "keystrip" (C) from the gear in the base, while you lift the motor free of the base.
5. Set the motor upside down on its top cap with the collet pointing up and remove the cutter bit. Store the motor and base in the case when not in use.

⚠ WARNING: ALWAYS remove cutter bits from collet/nut when the router is not being used. Leaving bits installed could result in an accident causing serious personal injury.

ADJUSTING DEPTH OF CUT

⚠ WARNING: Your router should NEVER BE TURNED ON or be connected to the power source when you are assembling parts, making adjustments, installing or removing collets / nuts, cutter bits, cleaning or when it is not in use. Disconnecting the router will prevent accidental starting, which could cause serious personal injury.

NOTICE: All depth adjustments on the Fixed Base must be made with the motor clamp open.

NOTICE: For all Fixed Base Routers, the cutter bit depth equals the amount of the cutter that is exposed below the surface of the subbase.

The fixed base is designed with a micrometer fine adjustment worm gear system. When the bit is lowered to the approximate position desired (coarse setting), the system then can be micro adjusted to the precise depth.

Coarse Adjustment:

Depressing the **coarse adjustment knob (B)** allows you to quickly lower or raise the cutter bit to a larger or approximate depth setting.

Micro Adjustments:

NOTICE: Be sure the worm gear system is engaged before making fine adjustments. Test it by turning the **fine adjustment dial (C)** clockwise and counter-clockwise to see if the bit lowers and raises. If it does not, press in the coarse adjustment knob and turn the fine adjustment dial until the gears engage, then reset zero "0" on **depth indicator ring (D)**.

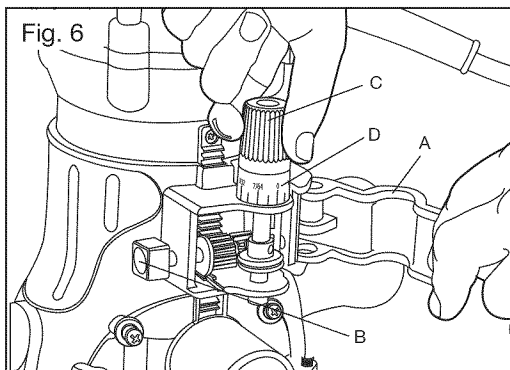
The **depth indicator ring (D)** located on the fine adjustment dial is marked 1/64 inch increments. Turning the fine adjustment dial clockwise 180° (1/2 turn), lowers the cutter bit 1/16 in. One full turn clockwise (360°: zero "0" to zero "0") lowers the bit 1/8 in.

The incremental lines between the 64th marks are 1/128's for super fine micro adjustments. The system allows a maximum of 7 full 360° revolutions, clockwise, to lower the cutter bit 7/8 in.

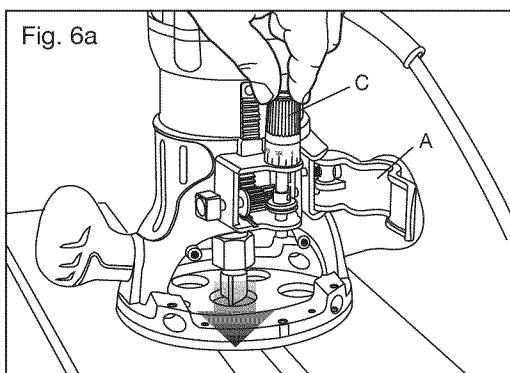
The depth indicator ring may be reset to zero "0" without moving the fine adjustment dial. This allows the user to begin adjustments from any reference point desired.

To Adjust Depth (Figs. 6 and 6a)

1. Turn motor off and unplug from power source.
2. Place router on a flat, level surface with back of fixed base facing you and open the **motor clamp (A)**.



3. With the cutter bit already installed, Press in the **coarse adjustment knob (B)**, and lower the motor into the base until the cutter bit is very close to the flat surface on which the base is sitting, turn the **fine adjustment dial (C)** until the cutter bit “just” touches the flat surface on which the base is sitting. Then lock the **motor clamp (A)**.



4. While continuing to press the **coarse adjustment knob (B)**, turn the **fine adjustment dial (C)** until the ZERO “0” mark on the **depth indicator ring (D)** is aligned with the “1” mark on the base.
5. Release the **coarse adjustment knob**, making sure that the “0” remains aligned with the mark.
6. Place the router on two level scrap workpieces, positioned so the cutter bit can be lowered below the subbase (see Fig. 6a).
7. Turn the **fine adjustment dial (C)** clockwise to lower the bit to the desired depth of cut. Turn the dial counterclockwise to raise the cutter bit.
8. Once your depth of cut is set, close the **motor clamp (A)** securely.

NOTICE: Making a single deep cut is never advisable. Smaller diameter cutter bits are easily broken by too much side thrust and torque. Larger cutter bits will cause a rough cut and be difficult to guide and control. For these reasons, DO NOT EXCEED 1/8-IN. DEPTH OF CUT in a single pass.

Deep Cuts

The proper cutting depth for each pass is always determined by the material, the cutter bit size and type, and the power of the motor.

Always make several progressively deeper cuts by starting at one depth and then make several passes, each time increasing the cutting depth until your desired depth is reached.

Making a cut that is too deep will stress the motor and the cutter bit, and it may burn the workpiece and dull the cutter bit. It could also “grab” too much of the workpiece and cause you to lose control of the router, causing a serious accident.

To be certain that your depth settings are as desired, always make test cuts in scrap material similar to your workpiece before beginning your final cutting.

Remember, knowing the right depth for each cut comes with routing experience.

TOGGLE “ON/OFF” SWITCH (Fig. 7)

Your router motor is turned “ON” and “OFF” by the toggle switch located on the top cap of the motor housing.

The left side of the toggle switch hood (as you face it) is marked “I” for “On” and the right side (as you face it) is marked “O” for “Off”.

Always hold the router and cutter bit away from the workpiece when

turning the toggle switch “On”. Only contact the workpiece with the router and cutter bit after the router has reached full speed.

ONLY remove the router and cutter bit from the workpiece **AFTER** turning the router motor “OFF”, and the cutter bit comes to a complete stop.

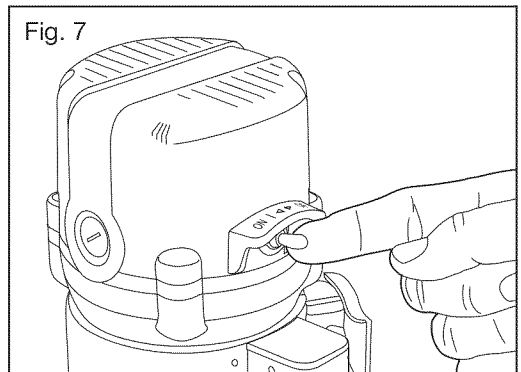
TO TURN THE MOTOR “ON”

Push the toggle switch to the left side marked “I”, or “On.”

TO TURN THE MOTOR “OFF”

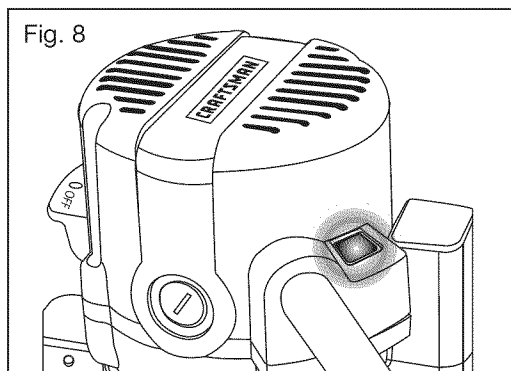
Push the toggle switch to the right side marked “O”, or “Off”.

Operating in this manner will increase toggle switch and motor life, and will increase the quality of your work.



“LIVE TOOL INDICATOR” LIGHT (Fig. 8)

Your router also has a “live tool indicator” green light, located on the motor housing top cap adjacent to where the power cord enters the motor housing. This green light is always on when router motor is plugged into a power source.



PLACING THE ROUTER ONTO THE WORKPIECE AND STARTING THE CUT

▲ WARNING: Before operating your router, follow all safety instructions in this manual. Failure to do so could result in serious personal injury.

NOTICE: Making test cuts is essential with most routing applications. Even with careful set-ups you won't know exactly how the cut will go until you try it out.

A test cut will give you a feel for the set-up, the router's speed, the depth of cut and how the cutter bit reacts to the workpiece.

Much of routing is a trial-and-error process of making various adjustments, followed by test cuts as you become familiar with all of your router's operational abilities. To avoid ruining good material, make your test cuts on scrap materials.

Placing your router onto a workpiece (starting the cut) with a fixed base depends on the type of routing you are going to produce: **Edge Routing or Internal Routing.**

EDGE ROUTING OR INTERNAL ROUTING

For ease of operation and to maintain proper control, your router has two handles, one on each side of the router base. When operating the router, always hold it firmly with both hands (see Fig. 9).

Turn the router “On”, let the motor build to its full speed, then gradually feed the cutter bit into the workpiece. **ALWAYS** be alert and watch what you are doing. **NEVER** operate the router when you are fatigued.

EDGE ROUTING (Fig. 9)

1. With the depth-of-cut set, place the router sub-base on the edge of the workpiece, making sure the cutter does not contact the workpiece.
2. Clamp an edge guide (board or metal straightedge) in place to help guide router's base when making your edge cut.
3. Turn the router “On”, and let the motor build to its full speed.
4. To begin your cut, gradually feed the cutter bit into the edge of the workpiece.
5. When cut is completed, turn motor “Off” and let cutter bit come to a complete stop before removing it from the workpiece.
6. Unplug the router from the power source, place the router upside down on the worktable, and inspect the finished cut.

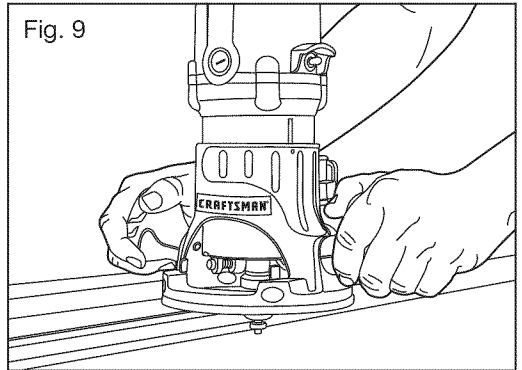


Fig. 9

⚠ WARNING: Always securely clamp your workpiece and keep a firm grip on the router base with **BOTH HANDS** at all times. Failure to do so could result in loss of control causing possible serious personal injury.

⚠ WARNING: Removing a cutter bit from the workpiece while it is still rotating could damage the workpiece and result in loss of control, causing serious personal injury.

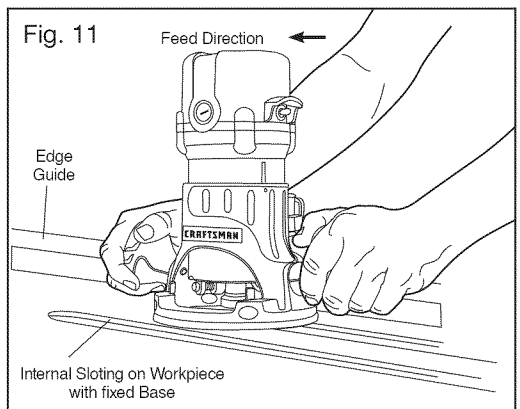
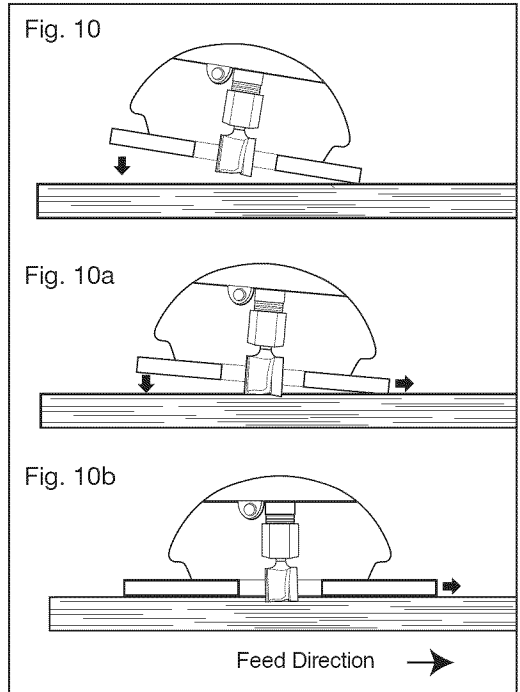
NOTICE: Making test cuts in scrap material that is similar to your workpiece is essential. Learning how the router's speed, depth-of-cut and cutter bit will react in the workpiece will help you produce quality cuts.

INTERNAL ROUTING (Figs. 10, 10a, 10b and 11)

1. With the depth-of-cut set, tilt the router and place the sub-base on the workpiece with leading edge of sub-base contacting workpiece first (Fig. 10).
2. Turn the motor "On" and let motor build up to its full speed, being careful not to let cutter bit contact workpiece.
3. To begin your cut, gradually feed the cutter bit into the workpiece until the sub-base is flat on the workpiece (see Fig 10a, 10b).
4. When the cut is completed, turn the motor "Off" and let the cutter bit come to a complete stop before removing it from the workpiece.
5. Unplug the router from the power source, place the router upside down on the worktable, and inspect the finished cut.

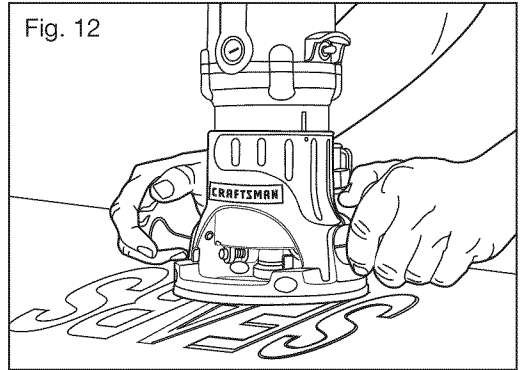
⚠ WARNING: Always securely clamp your workpiece and keep a firm grip on the router base with BOTH HANDS at all times. Failure to do so could result in loss of control causing possible serious personal injury. If using a router table, large cutter bits should be used for edging only.

⚠ WARNING: Removing the cutter bit from workpiece while it is still rotating could damage the workpiece and result in loss of control, causing serious personal injury.



FREEHAND ROUTING WITH THE FIXED BASE (Fig. 12)

▲ WARNING: Do not use large cutter bits for freehand routing. Use of large cutter bits when freehand routing could cause loss of control or create other hazardous conditions that could result in personal injury. If using a router table, large bits should be used for edging only.



When used freehand, the router becomes a flexible and versatile tool. This flexibility makes it possible to easily rout signs, relief sculptures, etc. When freehand routing:

1. Draw or layout the pattern on the workpiece.
2. Choose the appropriate bit.
3. Rout the pattern in two or more passes. Do not exceed 1/8-in. depth of cut in a single pass. This will help provide better control as well as serve as a guide on the next passes.

NOTICE: A core box or V-groove bit is often used for routing letters and engraving objects. Straight bits and ball mills are often used to make relief carvings. Veining bits are used to carve small, intricate details.

NOTICE: Making a single deep cut is never advisable. Smaller diameter bits are easily broken by too much side thrust and torque. Larger bits will cause a rough cut and be difficult to guide and control. For these reasons, **DO NOT EXCEED 1/8-IN. DEPTH OF CUT** in a single pass.

▲ WARNING: Always securely clamp your workpiece and keep a firm grip on the router base with **BOTH HANDS** at all times. Failure to do so could result in loss of control causing possible serious personal injury.

EDGING WITH A PILOT BIT (Figs. 13 and 13a)

Arbor-type bits with pilots are excellent for edge shaping of any workpiece edge that is either straight, or curved at a curvature as great or greater than the radius of the bit to be used. The pilot prevents the bit from making too deep a cut; holding the pilot firmly in contact with the workpiece edge throughout prevents the cut from becoming too shallow.

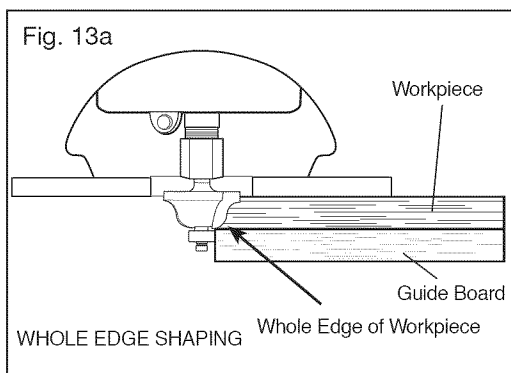
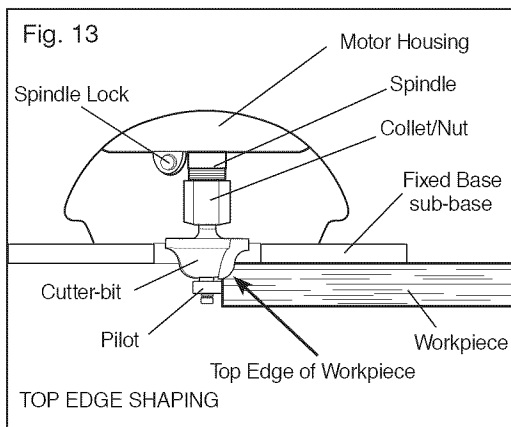
Whenever the workpiece thickness, together with the desired depth of cut (as adjusted by router depth setting) are such that only the top part of the edge is to be shaped (leaving at least a 1/16-in. thick uncut portion at the bottom), the pilot can ride against the uncut portion, which serves to guide it (see Fig. 13).

If the workpiece is too thin or the bit set too low so that there will be no uncut edge to ride the pilot

against, an extra board to act as a guide must be placed under the workpiece (see Fig. 13a). This “guide” board must have the same contour as the workpiece edge. If it is positioned so that its edge is flush with the workpiece edge, the bit will make a full cut (in as far as the bit radius). On the other hand, if the guide is positioned as shown in Fig. 13a (out from the workpiece edge), the bit will make less than a full cut - which will alter the shape of the finished edge.

NOTICE: The size (diameter) of the pilot that is used determines the maximum cut width that can be made with the pilot against the workpiece edge (the small pilot exposes all of the bit; the large one reduces this amount by 1/16-in.). Any of the piloted cutter bits can be used without a pilot for edge shaping with guides.

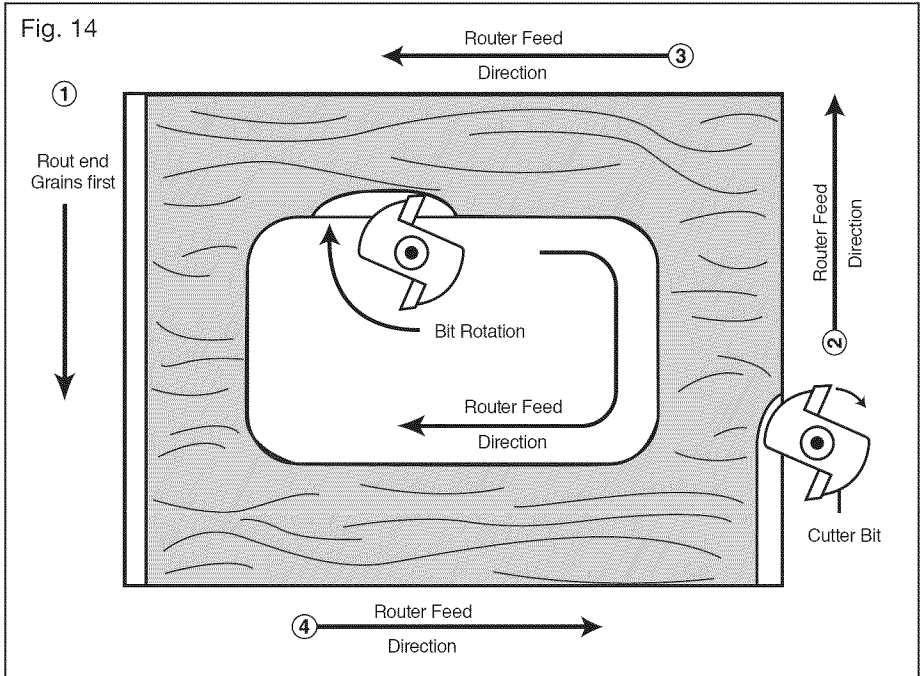
⚠ WARNING: Always securely clamp your workpiece and keep a firm grip on the router base with BOTH HANDS at all times. Failure to do so could result in loss of control causing possible serious personal injury.



FEEDING THE ROUTER (Fig. 14)

The secret to professional routing is in making a careful set-up for the cut, selecting the proper depth of cut, knowing how the cutter bit reacts in your workpiece, and the rate and direction of feed of the router.

DIRECTION OF FEED - EXTERNAL CUTS (Fig. 14)



The router motor and cutter bit rotate clockwise. This requires the feed of the cutter bit to be from left to right (see Fig. 14). Feeding the bit from left to right will cause the bit to pull the router towards (up against) the workpiece.

If you feed the router in the opposite direction (right to left), the rotating force of the cutter bit will tend to throw the bit away from the workpiece, making it hard to control; this is called **Climb-Cutting**: cutting in the opposite direction of the proper feed direction. **Climb-Cutting** increases the chance for loss of control, resulting in possible personal injury. When **Climb-Cutting** is required (backing around a corner for example), exercise extreme caution to maintain control of the router.

Because of the high speed of the cutter bit during a proper feeding operation (left to right), there is very little kickback under normal conditions. However, if the cutter bit strikes a knot, an area of hard grain in the wood workpiece, or a foreign object, the normal cutting action could be affected and cause "Kickback".

This Kickback may cause damage to your workpiece, and could cause you to lose control of the router, causing possible personal injury. Kickback is always in the opposite direction of the clockwise cutter bit rotation, or counterclockwise.

To guard against and help prevent Kickback, plan your set-up and direction of feed so you're always thrusting the router, keeping the sharp edges of the cutter bit continuously biting straight into new (uncut) wood (workpiece). Also, always inspect your workpiece for knots, hard grain, and foreign objects that could cause a kickback problem.

DIRECTION OF FEED - INTERNAL CUTS (Figs. 15 and 15a)

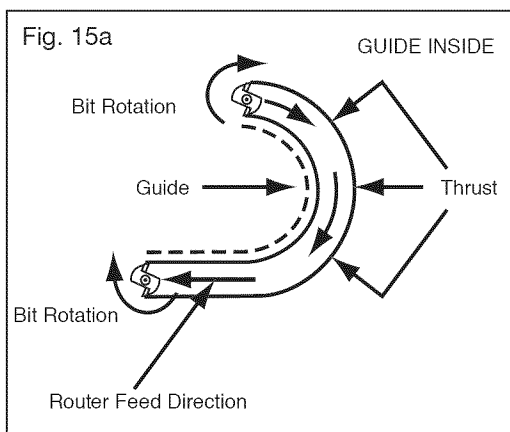
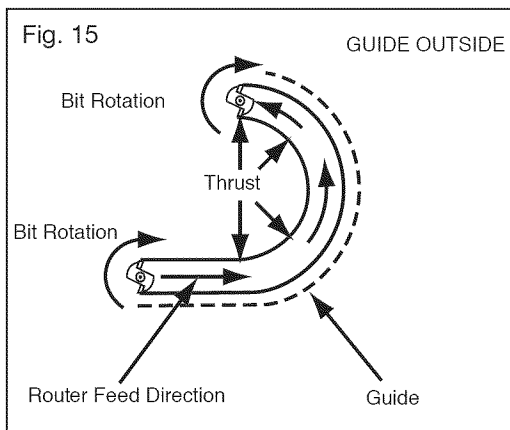
When making an internal cut, such as a groove, dado or slot, always have the guide you are using with the router (edge guide, straight edge, board guide), on the right-hand side of the router as you make your cut, see Fig. 15).

When the guide is positioned on the right hand side of the router, the router travel should be from left to right and “counterclockwise” around curves (see Fig. 15). This counterclockwise action around the curve could cause **Climb-Cutting**. Always be alert and exercise extreme caution to maintain control of the router when making this type of cut around curves.

When the guide is positioned as shown in Fig. 15a, the router travel should be from left to right and clockwise around curves.

If there is a choice, the set-up in Fig. 15 is easier to use, but there is the possibility of **Climb-Cutting** around curves. In either case, Fig. 15 or Fig. 15a, the sideways thrust of the router cutting is always against the guide, as is proper.

⚠ WARNING: Always securely clamp your workpiece and keep a firm grip on the router base with **BOTH HANDS** at all times. Failure to do so could result in loss of control causing possible serious personal injury.



RATE OF FEED (Figs. 16 and 16a)

The proper rate of feed depends on several factors: the hardness and moisture content of the workpiece, the depth of cut, and the cutting diameter of the bit. When you are cutting shallow grooves in soft woods such as pine, you may use a faster rate of feed.

When making deep cuts in hardwoods such as oak, you should use a slower rate of feed.

FEEDING TOO FAST (Fig. 16)

Clean and smooth finished cuts can only be achieved when the cutter bit is rotating at a relatively high speed, taking very small bites and producing tiny, clean cut chips.

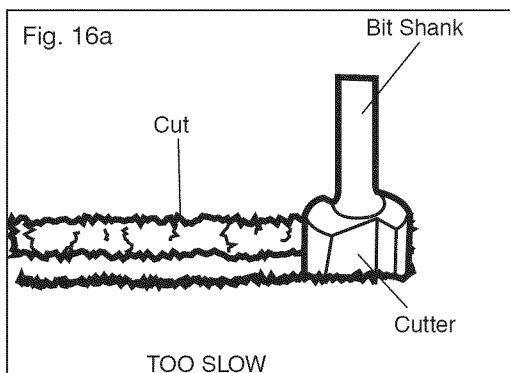
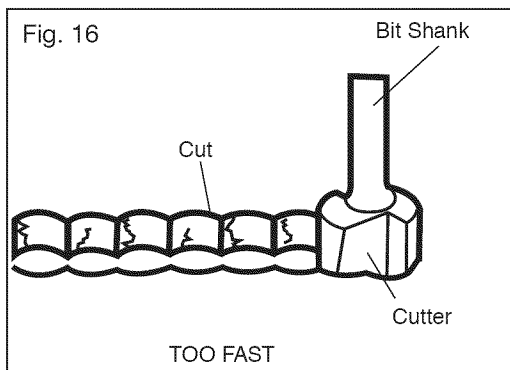
Forcing the feed of the cutter bit forward too fast slows the rotation of the cutter bit, and the bit takes bigger bites as it rotates. Bigger bites mean bigger chips and a rough finish. This forcing action can also cause the router motor to overheat.

Under extreme force-feeding conditions, the rotational speed can become so slow and the bites become so large that chips become partially cut off, causing splintering and gouging of the workpiece.

The router will make clean, smooth cuts if allowed to run freely without the overload of forced feeding. You can detect forced feeding by the sound of the motor. Its usual high-pitched whine will sound lower and stronger as it loses speed. Holding the router against the workpiece will also be strained and harder to do.

FEEDING TOO SLOWLY (Fig. 16a)

When you feed the cutter bit too slowly, the rotating cutter bit does not cut into new wood fast enough to take a bite. Instead, it scrapes away sawdust-like particles. This scraping produces heat, which can glaze, burn and mar the cut in the workpiece and, in extreme cases, overheat the cutter bit.



CHIP SHIELD DEFLECTOR (Fig. 17)

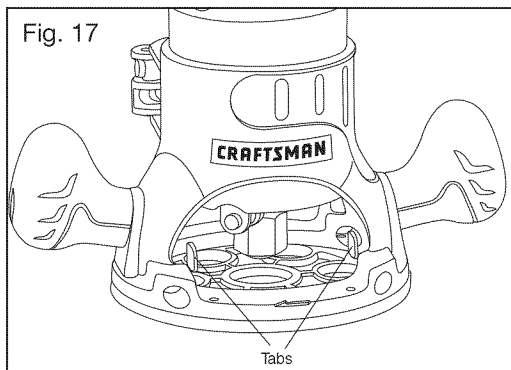
▲ WARNING: ALWAYS wear eye protection. The chip shield deflector is not intended as a safety guard.

To remove chip shield from fixed base, press inward on the tabs until the chip shield releases from the base; remove the shield. To attach, place the chip shield back in position and flex the sides while pushing it in until it snaps back into place (See Fig. 17).

▲ WARNING: The chip shield deflector helps keep dust and chips away from the operator; it will not stop objects larger than woodchips thrown from the bit.

▲ CAUTION: ALWAYS have the chip shield deflector in place on the base when operating the router.

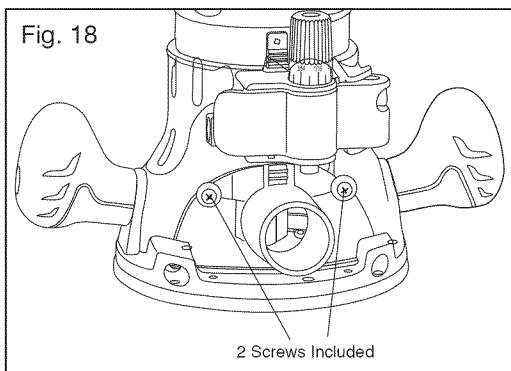
▲ WARNING: ALWAYS turn the motor off and unplug the router from the power source before making any adjustments or installing accessories. Failure to turn the motor off and unplug the router could result in accidental starting which can cause serious personal injury.



DUST COLLECTION WITH DUST EXTRACTION HOOD (Fig. 18)

There is a dust extraction hood included with this router. The hood is sized to accept a 1-1/4 in. vac hose adapter, sold separately.

To attach the hood onto the fixed base, position and secure it to the back of the base with the two screws (included) as shown in Fig. 18.



MAINTENANCE

⚠ WARNING: To ensure safety and reliability, all repairs should be performed by a qualified service technician.

GENERAL

Only the parts shown on the parts list are intended for repair or replacement by the customer. All other parts represent an important part of the double insulation system and should be serviced only by a qualified service technician.

⚠ WARNING: For your safety, ALWAYS turn off the switch and unplug the router motor from the power source before performing any maintenance or cleaning.

It has been found that electric tools are subject to accelerated wear and possible premature failure when they are used to work on fiber glass, wallboard, spackling compounds or plaster. The chips and grindings from these materials are highly abrasive to electrical tool parts, such as bearings, brushes, commutators, etc. Consequently, it is not recommended that this tool be used for extended work on any fiberglass material, wallboard, spackling compound or plaster. During any use on these materials, it is extremely important that the tool is cleaned frequently by blowing with an air jet.

⚠ WARNING: Always wear safety goggles or safety glasses with side shields during power tool operations, or when blowing dust. If operation is dusty, also wear a dust mask.

ROUTINE MAINTENANCE

⚠ WARNING: DO NOT at any time let brake fluids, gasoline, petroleum-based products, penetrating oils, etc. come in contact with plastic parts. Chemicals can damage, weaken or destroy plastic, which may result in serious personal injury.

1. When work has been completed, clean the tool to allow smooth functioning of the tool over time.
2. Use clean damp cloths to wipe the tool.
3. Check the state of all electrical cables.
4. Keep the motor air openings free from oil, grease and sawdust or woodchips, and store tool in a dry place.
5. Be certain that all moving parts are well lubricated, particularly after lengthy exposure to damp and/or dirty conditions.

⚠ WARNING: For your safety, ALWAYS turn off switch and unplug router motor from the power source before performing any maintenance or cleaning.

Refer to Collet/Nut Care and Cutter Bits on page 16 for cleaning care.

REPLACEMENT OF CARBON BRUSHES (Fig. 19)

Replacement brush sets are available through Craftsman Parts and Repair Centers.

1. Unplug the router motor before inspecting or replacing brushes.
2. Replace both carbon brushes when either has less than 1/4 in. length of carbon remaining, or if the spring or wire is damaged or burned.
3. Using a slotted screwdriver, remove the black plastic cap on each side of the router motor (Fig. 19) and carefully withdraw the spring-loaded brush assemblies. Keep brushes clean and sliding freely in their guide channels.

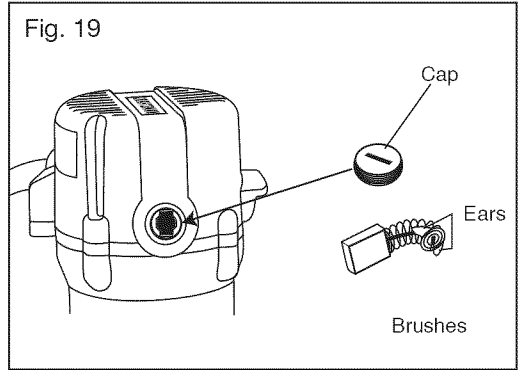
NOTICE: To reinstall the same brushes, make sure the brushes go back in the same way they came out. This will avoid a break-in period.

4. Insert new brush assemblies into guide channels, with the carbon part going in first, being certain to fit the two the metal “ears” into their slots in the channel (Fig. 19).
5. Remember to replace both end caps after inspecting or servicing brushes. Tighten the caps snugly, but do not over-tighten. The router should be allowed to “RUN IN” (run at no load without a cutter bit) for 5 minutes before use, to seat the new brushes properly.

⚠ WARNING: For your safety, ALWAYS turn off switch and unplug router motor from the power source before performing any maintenance or cleaning.










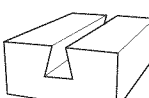



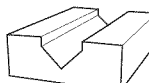




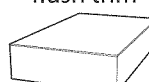

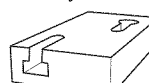
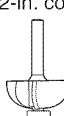
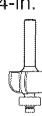



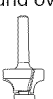

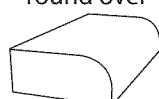
LUBRICATION

All of the bearings in this tool are lubricated with a sufficient amount of high-grade lubricant for the life of the tool under normal operating conditions. Therefore, no further lubrication is required.



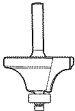
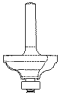


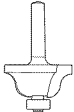

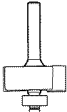
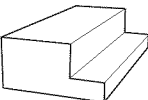


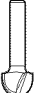




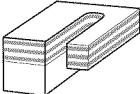
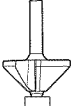

ACCESSORIES

⚠ WARNING: The use of attachments or accessories that are not recommended for this tool might be dangerous and could result in serious injury.

<p>1/8-in. straight</p>  <p>5/16-in. straight</p>  <p>3/8-in. straight</p>  <p>1/2-in. straight</p>  <p>1/4-in. straight</p>  <p>3/4-in. straight</p> 	<p style="text-align: center;">straight</p> 
<p>3/8-in. dove tail</p>  <p>1/2-in. dove tail</p> 	<p style="text-align: center;">dovetail</p> 
<p>1/2-in. round nose</p> 	<p style="text-align: center;">round nose</p> 
<p>1/2-in. 90 d v groove</p> 	<p style="text-align: center;">v groove</p> 
<p>1/2 x 1-in. flush trim</p>  <p>1/2-in. flush trim</p>  <p>3/8x1/2-in. flush trim</p>  <p>1/4-in. flush trim</p> 	<p style="text-align: center;">flush trim</p> 
<p>3/8-in. keyhole</p> 	<p style="text-align: center;">keyhole</p> 
<p>1/2-in. cove</p>  <p>1/4-in. cove</p> 	<p style="text-align: center;">cove</p> 
<p>3/8 in round over</p>  <p>1/8 in round over</p>  <p>1/4 in round over</p>  <p>1/2 in round over</p> 	<p style="text-align: center;">round over</p> 

In addition to a wide variety of router bits other Craftsman accessories are available, such as: Router tables, various template sets, universal router fence with lock knobs (64181), 11 pc. bushing set (64180) and clear sub-base sets; 6pc. fixed base (64182/37695) 6 pc.

⚠ WARNING: Only use router tables with proper guarding for the cutter bit and with “on-board” switch controlled receptacles. Failure to use router tables with appropriate safety features could result in serious personal injury.

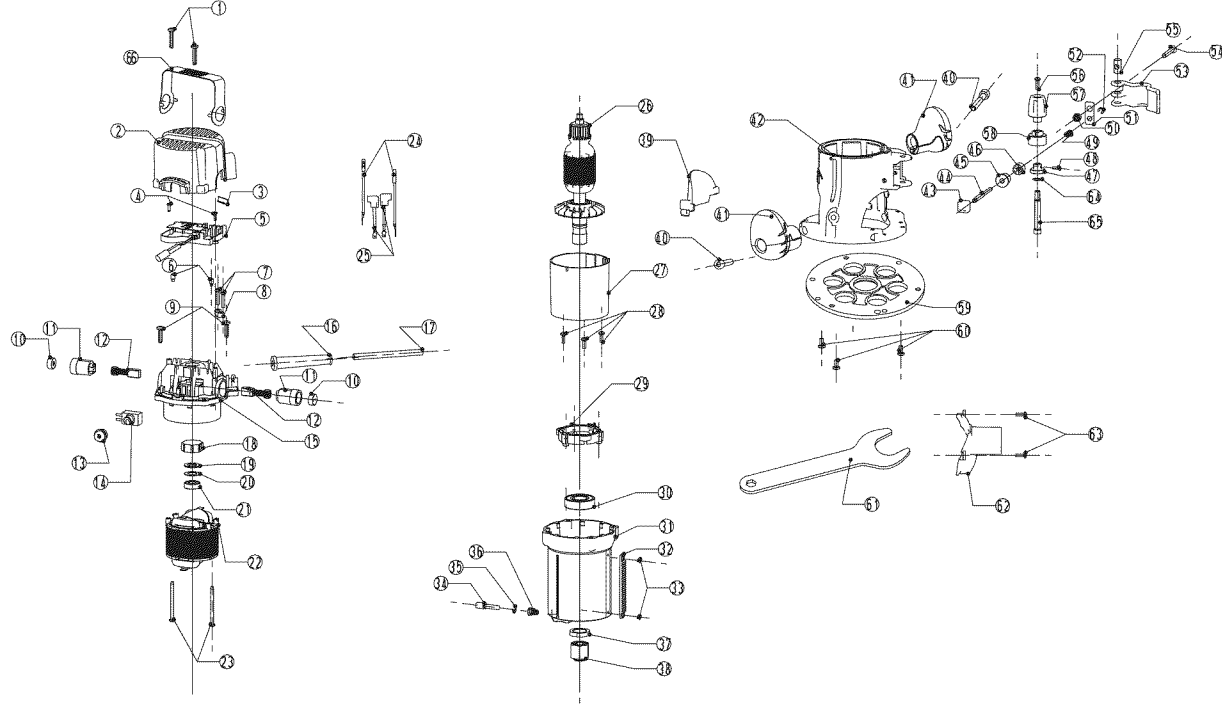
<p>1/2-in. bead and cove</p>  <p>1/16-in. classic cove with bead</p> 	 <p>bead cove</p>  <p>classic cove & bead</p>
<p>1/4-in. roman ogee</p> 	<p>Roman ogee</p> 
<p>3/8-in. rabbeting</p> 	<p>rabbeting</p> 
<p>1/4-in. veining</p> 	<p>veining</p> 
<p>1/2-in. core box</p> 	<p>core box</p> 
<p>1/2-in. mortising</p> 	<p>mortising</p> 
<p>1/4-in. panel pilot</p> 	<p>panel pilot</p> 
<p>1-3/8 in pulg. 45° inglete</p> 	<p>chamfer</p> 

PARTS LIST

9.5 Amp / 1-3/4 Peak HP – MODEL NUMBER 320.37595

The Model Number will be found on the Nameplate attached to the motor unit. Always mention the Model Number when ordering parts for this tool.

To order parts, call 1-800-469-4663.



PARTS LIST

9.5 Amp / 1-3/4 Peak HP Fixed Base Router– MODEL NUMBER 320.37595

The Model Number will be found on the Nameplate attached to the motor unit. Always mention the Model Number when ordering parts for this tool.

To order parts, call 1-800-469-4663.

No	Part No	Part Name	QTY
1	5610220000	Screw	2
2	3121517000	Rear Cover	1
3	3121518000	Cap	1
4	5610017000	Screw	2
5	4900046000	PCB Assembly	1
6	5620017000	Hexagon Socket Screw	2
7	5610106000	Tapping Screw	2
8	3122798000	Cord Anchorage	1
9	5610059000	Thread Forming Screw	2
10	3120537000	Brush Cover	2
11	2800005000	Brush Holder Assembly	2
12	4960019000	Carbon Brush Assembly	2
13	3122851000	Seal Ring	1
14	4870073000	Switch	1
15	3121494000	Middle Housing	1
16	3121050000	Cord Guard	1
17	4810002000	Power Cord & Plug	1
18	3123926000	Bearing Holder	1
19	3121049000	Rubber Spring	1
20	3700249000	Washer	1
21	5700008000	Ball Bearing	1
22	2740116000	Stator	1
23	5610048000	Tapping Screw	2
24	2822039000	Internal Wire Assembly	2
25	2822038000	Internal Wire Assembly	2
26	2750719000	Rotor	1
27	3121495000	Fan Baffle	1
28	5620040000	Screw	3
29	3121521000	Holder	1
30	5700056000	Ball Bearing	1

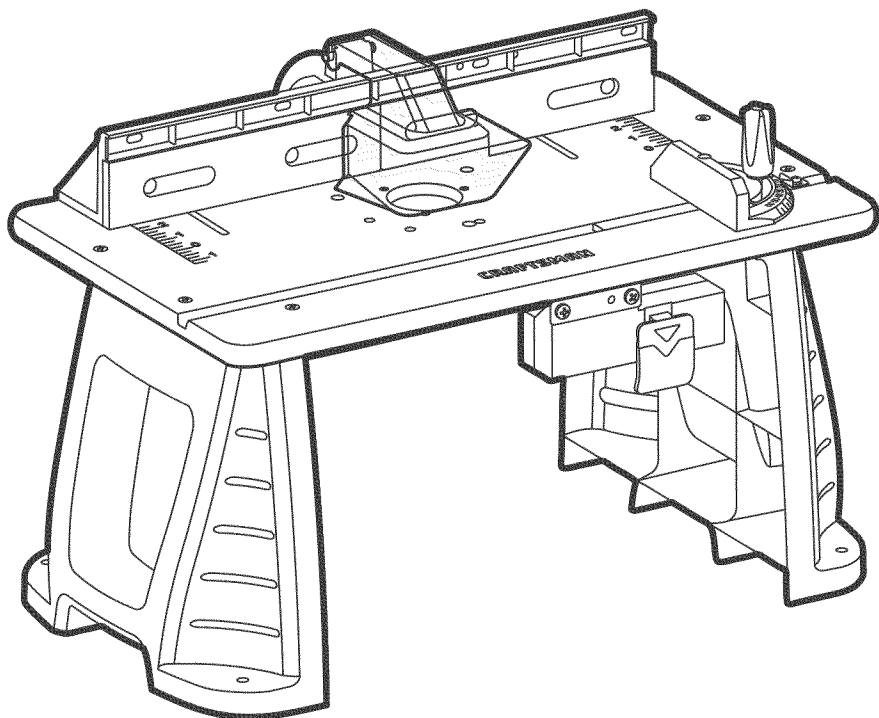
No	Part No	Part Name	QTY
31	3420356000	Motor Housing	1
32	3520227000	Gear Rack	1
33	5620062000	Screw	1
34	3550592000	Spindle Lock	1
35	5660005000	"E" Ring	1
36	3660174000	Stop Spring	1
37	5630179000	Nut	1
38	2823125000	Collet Assembly (1/4 in.)	1
39	3121637000	Chip Shield	1
40	5620024000	Hexagon Socket Screw	2
41	3121635000	Handle	2
42	3420396000	Mounting Set	1
43	3121648000	Button	1
44	3550579000	Gear Shaft	1
45	3520141000	Gear	1
46	3520147000	Lock Gear	1
47	3550615000	Worm	1
48	5620033000	Screw	1
49	3660167000	Spring	1
50	5630015000	Prevailing Torque Hexagon Nut	1
51	3700848000	Plate	1
52	5660003000	E Ring	1
53	3420395000	Clamping Lever	1
54	5620332000	Screw	1
55	3550596000	Lock Pin	1
56	5620041000	Screw	1
57	3121646000	Adjusting Knob	1
58	3121647000	Indicator	1
59	3122924000	Mounting Plate	1
60	5620049000	Screw	3
61	3700807000	Wrench	1
62	3122784000	Vacuum Adapter	1
63	5620040000	Screw	2
64	5650172000	Wave Washer	1
65	3550613000	Shaft	1
66	3704921000	Decorative Cover	1

Operator's Manual

CRAFTSMAN®

ROUTER TABLE

Model No. 320.37599



▲ WARNING: To reduce the risk of injury, the user must read and understand the Operator's Manual before using this product.

- WARRANTY
- SAFETY
- ASSEMBLY
- OPERATION
- MAINTENANCE

Sears Brands Management Corporation, Hoffman Estates,
IL 60179 U.S.A.

www.craftsman.com

TABLE OF CONTENTS

Warranty	Page 2
Safety Symbols	Pages 4-5
Safety Instructions	Pages 6-9
Description	Pages 10-11
Unpacking	Pages 12-13
Assembly	Pages 14-19
Operation	Pages 20-25
Maintenance	Page 25
Troubleshooting	Page 25
Parts List	Pages 26-28

CRAFTSMAN ONE YEAR LIMITED WARRANTY

FOR ONE YEAR from the date of purchase, this product is warranted against any defects in material or workmanship. With proof of purchase, defective product will be replaced free of charge.

For warranty coverage details to obtain free replacement, visit the web site: www.craftsman.com

This warranty is void if this product is ever used while providing commercial services or if rented to another person.

This warranty gives you specific legal rights, and you may also have other rights which vary from state to state.

Sears Brands Management Corporation, Hoffman Estates, IL 60179

This router table has many features for making its use more pleasant and enjoyable. Safety, performance, and dependability have been given top priority in the design of this product making it easy to maintain and operate.

SAVE THESE INSTRUCTIONS!

READ ALL INSTRUCTIONS!

⚠ DANGER: People with electronic devices, such as pacemakers, should consult their physician(s) before using this product. Operation of electrical equipment in close proximity to a heart pacemaker could cause interference or failure of the pacemaker.

⚠ WARNING: Some dust created by power sanding, sawing, grinding, drilling and other construction activities contains chemicals known to the State of California to cause cancer, birth defects or other reproductive harm. Some examples of these chemicals are:

- Lead from lead-based paints,
- Crystalline silica from bricks and cement and other masonry products, and
- Arsenic and chromium from chemically-treated lumber.

Your risk from these exposures varies, depending on how often you do this type of work. To reduce your exposure to these chemical: work in a well ventilated area, and work with approved safety equipment, such as dust masks that are specially designed to filter out microscopic particles.

SAFETY SYMBOLS

The purpose of safety symbols is to attract your attention to possible dangers. The safety symbols and the explanations with them deserve your careful attention and understanding. The symbol warnings do not, by themselves, eliminate any danger. The instructions and warnings they give are no substitutes for proper accident prevention measures.

⚠ WARNING: Be sure to read and understand all safety instructions in this Operator's Manual, including all safety alert symbols such as "**DANGER**," "**WARNING**," and "**CAUTION**" before using this tool. Failure to following all instructions listed below may result in electric shock, fire, and/or serious personal injury.

SYMBOL MEANING

SAFETY ALERT SYMBOL: Indicates **DANGER**, **WARNING**, or **CAUTION**. May be used in conjunction with other symbols or pictographs.

⚠ DANGER: Indicates an imminently hazardous situation, which, if not avoided, will result in death or serious injury.

⚠ WARNING: Indicates a potentially hazardous situation, which, if not avoided, could result in death or serious injury.

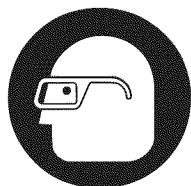
⚠ CAUTION: Indicates a potentially hazardous situation, which, if not avoided, could result in minor or moderate injury.

Damage Prevention and Information Messages

These inform the user of important information and/or instructions that could lead to equipment or other property damage if they are not followed. Each message is preceded by the word "NOTICE," as in the example below:

NOTICE: Equipment and/or property damage may result if these instructions are not followed.











⚠ WARNING: To ensure safety and reliability, all repairs should be performed by a qualified service technician.



⚠ WARNING: The operation of any power tools can result in foreign objects being thrown into your eyes, which can result in severe eye damage. Before beginning power tool operation, always wear safety goggles or safety glasses with side shields and a full face shield when needed. We recommend a Wide Vision Safety Mask for use over eyeglasses or standard safety glasses with side shields. Always use eye protection which is marked to comply with ANSI Z87.1.

SAVE THESE INSTRUCTIONS

Some of the following symbols may be used on this tool. Please study them and learn their meaning. Proper interpretation of these symbols will allow you to operate the tool better and more safely.

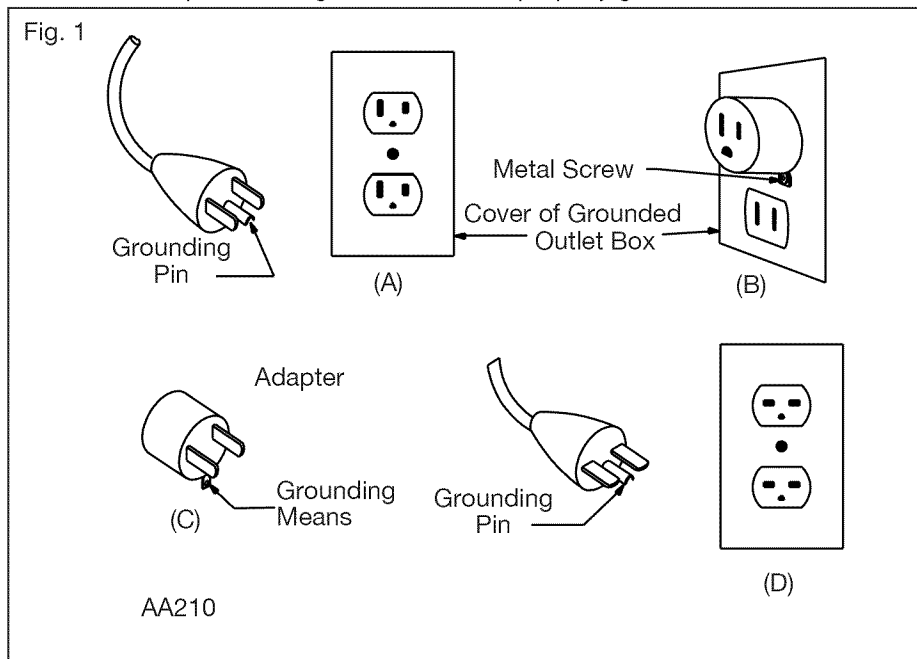
SYMBOL	NAME	DESIGNATION/EXPLANATION
V	Volts	Voltage
A	Amperes	Current
Hz	Hertz	Frequency (cycles per second)
W	Watt	Power
min	Minutes	Time
	Alternating Current	Type of current
	Direct Current	Type or a characteristic of current
n_0	No Load Speed	Rotational speed, at no load
	Class II Construction	Double-insulated construction
.../min	Per Minute	Revolutions, strokes, surface speed, orbits, etc., per minute
	Wet Conditions Alert	Do not expose to rain or use in damp locations.
	Read The Operator's Manual	To reduce the risk of injury, user must read and understand operator's manual before using this product.
	Eye Protection	Always wear safety goggles or safety glasses with side shields and a full face shield when operating this product.
	Safety Alert	Precautions that involve your safety.
	No-Hands Symbol	Failure to keep your hands away from the blade will result in serious personal injury.
	No-Hands Symbol	Failure to keep your hands away from the blade will result in serious personal injury.
	No-Hands Symbol	Failure to keep your hands away from the blade will result in serious personal injury.
	No-Hands Symbol	Failure to keep your hands away from the blade will result in serious personal injury.
	Hot Surface	To reduce the risk of injury or damage, avoid contact with any hot surface.

SAFETY INSTRUCTIONS

GROUNDING INSTRUCTIONS

- **In the event of a malfunction or breakdown, grounding provides a path of least resistance for electric current to reduce the risk of electric shock.** This tool is equipped with an electric cord having an equipment-grounding conductor and a grounding plug. The plug must be plugged into a matching outlet that is properly installed and grounded in accordance with all local codes and ordinances.
- **Do not modify the plug provided – if it will not fit the outlet, have the proper outlet installed by a qualified electrician.**
- **Improper connection of the equipment-grounding conductor can result in a risk of electric shock.** The conductor with insulation having an outer surface that is green with or without yellow stripes is the equipment-grounding conductor. If repair or replacement of the electric cord or plug is necessary, do not connect the equipment-grounding conductor to a live terminal.
- **Check with a qualified electrician or service personnel if the grounding instructions are not completely understood, or if in doubt as to whether the tool is properly grounded.**
- **Use only 3-wire extension cords that have 3-prong grounding plugs and 3-pole receptacles that accept the tool's plug.**
- **Repair or replace damaged or worn cord immediately.**

This tool is intended for use on a circuit that has an outlet that looks like the one illustrated in Sketch A in Figure 1. The tool has a grounding plug that looks like the plug illustrated in Sketch A in Figure 1. A temporary adapter, which looks like the adapter illustrated in Sketches B and C, may be used to connect this plug to a 2-pole receptacle as shown in Sketch B if a properly grounded outlet is not available. The temporary adapter should be used only until a properly grounded outlet can be installed by a qualified electrician. The green-colored rigid ear, lug, and the like, extending from the adapter must be connected to a permanent ground such as a properly grounded outlet box.



- **Keep guards in place and in working order.**
- **Remove adjusting keys and wrenches.** Form the habit of checking to see that keys and adjusting wrenches are removed from the tool before turning it on.
- **Keep the work area clean. Cluttered areas and benches invite accidents.**
- **Don't use in dangerous environments.** Don't use power tools in damp or wet locations or expose them to rain. Keep the work area well lighted.
- **Keep children away.** All visitors should be kept safe distance from the work area.
- **Make the workshop child proof** with padlocks, master switches, or by removing starter keys.
- **Don't force the tool.** It will do the job better and more safely at the rate for which it was designed.

- **Use the right tool.** Don't force a tool or attachment to do a job for which it was not designed.
- **Use a proper extension cord.** Make sure your extension cord is in good condition. When using an extension cord, be sure to use one heavy enough to carry the current your product will draw. An undersized cord will cause a drop in line voltage, resulting in loss of power and overheating. Table 1 shows the correct size to use, depending on cord length and nameplate ampere rating. If in doubt, use the next heavier gage. The smaller the gage number, the heavier the cord.

Table 1: Minimum gage for cord

Ampere Rating		Volts	Total length of cord in feet			
			25 ft	50 ft	100 ft	150 ft
More Than	Not More Than	120V	AWG			
12	16		14	12	Not Recommended	

- **Wear proper apparel.** Do not wear loose clothing, gloves, neckties, rings, bracelets, or other jewelry which may get caught in moving parts. Nonslip footwear is recommended. Wear protective hair covering to contain long hair.
- **Always use safety glasses.** Also use a face or dust mask if the cutting operation is dusty. Everyday eyeglasses only have impact resistant lenses, they are not safety glasses.
- **Secure your work.** Use clamps or a vise to hold work whenever practical. It's safer than using your hand and it frees both hands to operate the tool.
- **Don't overreach.** Keep proper footing and balance at all times.
- **Maintain tools with care.** Keep tools sharp and clean for best and safest performance. Follow instructions for lubricating and changing accessories.
- **Disconnect tools before servicing and when changing accessories, such as blades, bits, cutters, and the like.**
- **Reduce the risk of unintentional starting.** Make sure that the switch is in the off position before plugging in.
- **Use recommended accessories.** Consult the owner's manual for recommended accessories. The use of improper accessories may cause a risk of injury to persons.
- **Never stand on the tool.** Serious injury could occur if the tool is tipped or if the cutting tool is unintentionally contacted.

- **Check damaged parts.** Before further use of the tool, a guard or other part that is damaged should be carefully checked to determine that it will operate properly and perform its intended function – check for alignment of moving parts, binding of moving parts, breakage of parts, mounting, and any other conditions that may affect its operation. A guard or other part that is damaged should be properly repaired or replaced.
- **Direction of feed:** feed work into a blade or cutter only against the direction of rotation of the blade or cutter.
- **Never leave a tool running unattended.** TURN THE POWER OFF. Don't leave the tool until it comes to a complete stop.

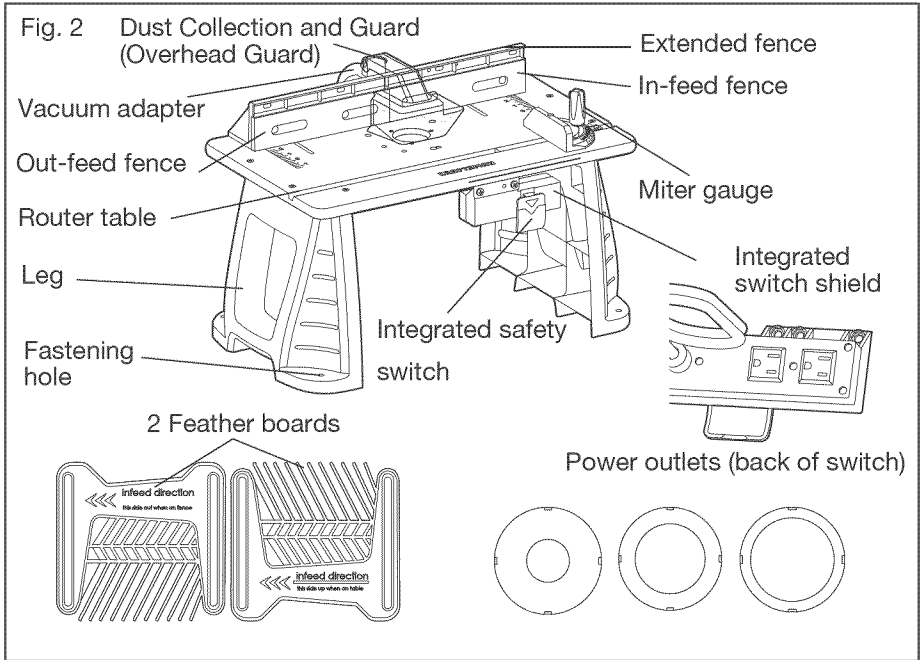
SPECIFIC SAFETY RULES FOR ROUTER TABLES

For Your Own Safety Read Instruction Manual Before Operating Router Table.

- **Wear eye protection.**
- **Feed the workpiece against rotation of cutter.**
- **Do not use awkward hand positions.**
- **Keep fingers away from revolving cutter – use fixtures when necessary.**
- **Use the overhead guard when the adjustable fence is not in place.**
- **Do not expose the table to rain or use in damp location.**

DESCRIPTION

KNOW YOUR ROUTER TABLE (Fig. 2)



Your router table has a precision-built electric switch box and it should be connected to only a 120-volt, 60-HZ AC power supply (normal household current). DO NOT operate on direct current (DC). The large voltage drop would cause a loss of power and the motor would overheat. If the router table does not operate when plugged into correct 120-volt, 60-HZ AC ONLY outlet, check the power supply. The router table comes with a 6-ft. power cord (no adapter needed).

PRODUCT SPECIFICATIONS	
Table Size	23-5/8 in. x 14-1/8 in.
Extended Fence Overall Length	23-5/8 in.
Switch Rating	120 volts, 60Hz, AC only, 15A
Three Insert Rings Size, inner diameter	1-1/4 in., 1-1/2 in., 1-3/4 in.

This Router Table has the following features:

1. 11/16 in. thick MDF tabletop with laminate edging.
2. Oversized table (23-5/8 in. x 14-1/8 in.) for a large, smooth, durable, work surface. Table height clearance is 12-1/2 in. to accommodate most fixed and plunge-based routers.
3. Integrated safety switch with two outlets. To ensure safety and reliability, the total current drawn on the two units must be less than 15 Amps.
4. Extended fence provides maximum workpiece support; the fence can be moved forward and backward 3-3/4 in.
5. In-feed and out-feed fences can each be extended 2 in.
6. Out-feed fence can be adjusted as much as 9/16 in. forward of the in-feed fence for joining operations.
7. Vacuum adapter fits a 2-1/4 in. shop vacuum hose (available separately).
8. Miter-gauge adjusts from 0° to 60° in both directions for increased stability in many difficult feed situations.
9. Fastening holes (11/32 in. dia.) allow the Router Table to be fixed to a stable work surface.
10. Integrated switch shield prevents dust from accumulating in the sockets.
11. Dust Collection/Guard (Overhead Guard) reduces dust dispersal.
12. Above-the-table height adjustment: The bit height on the installed router can be adjusted by turning the adjustment knob clockwise or counterclockwise with a hex wrench (not included). This feature functions only when using the Craftsman Router Table with the following Craftsman router models: 17541, 2767, 27666, 2768, 27683, 27669, 27680, 17542, 28190, 28084, 37595.
13. This router table is suitable for mounting the following Craftsman router models: 17541, 2767, 27666, 2768, 27683, 27669, 27680, 17542, 28190, 28084, 17540, 17543, 37595.
14. 2-3/16 in. router hole with 3 bit insert rings (1-1/4 in., 1-1/2 in., and 1-3/4 in. openings).
15. Two feather boards push blocks with mounting hardware that can be mounted in slots on the fence and table.

UNPACKING

⚠ WARNING: If any parts are broken or missing, do not attempt to attach the router table to a power source or operate the router table until the broken or missing parts are replaced. Failure to do so could result in serious injury.

⚠ WARNING: Do not attempt to modify this tool or create accessories not recommended for use with this router table. Any such alteration or modification is misuse and could result in a hazardous condition leading to serious injury.

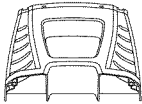
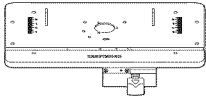
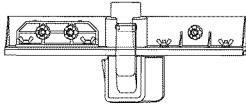
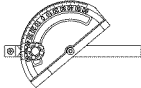
⚠ WARNING: To prevent accidental starting that could cause serious personal injury, always unplug the tool from the power source when assembling parts.


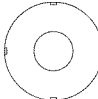
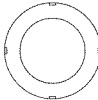
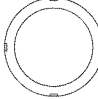
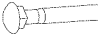
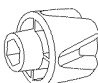
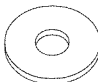


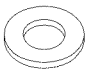

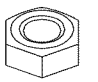
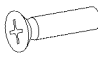
UNPACKING

This product has been shipped disassembled.

- Carefully remove the router table and any accessories from the carton. Make sure that all items listed in the packing list are included.
- Inspect the router table carefully to make sure that no breakage or damage occurred during shipping.
- Do not discard the packing material until you have carefully inspected and satisfactorily operated the router table.
- If any parts are damaged or missing, please return the product to the place of purchase.

PART LIST

Key NO.	Description	Image	Quantity
1	Leg		2
2	Table (including switch box)		1
3	Fence assembly		1
4	Miter gauge		1

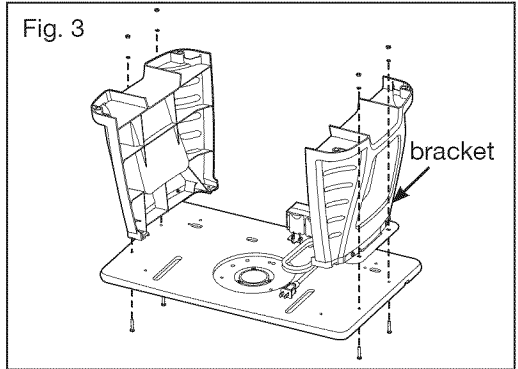
5	Feather board		2
6	Insert ring with 1-1/4 in. opening		1
7	Insert ring with 1-1/2 in. opening		1
8	Insert ring with 1-3/4 in. opening		1
9	Long round-head, square-neck bolt		4
10	Clamping knob		4
11	Large plain washer		4
12	Long pan-head screw		4
13	Short pan-head screw		4
14	Small plain washer		16
15	Spring washer		8
16	Nut		8
17	Flat-head bolt		3

ASSEMBLY

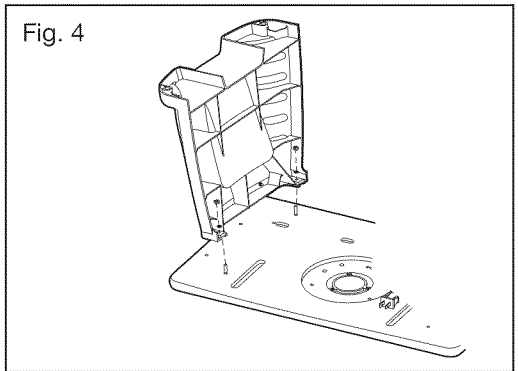
See Part List (Page 12-13) for hardware illustrations referenced by number.

ATTACHING THE LEGS TO THE TABLETOP

1. Place the router table surface upside down on a flat, level surface.
2. Position the legs relative to the router table as shown in Fig. 3.
3. Align the two outermost holes on the tabletop with the holes in the leg bracket.



4. Place small plain washers (14) onto each of two short pan-head screws (13). Insert the short pan-head screws up through the holes in the table and through the holes in the leg bracket. Place a small plain washer (14), a spring washer (15), and nut (16) on the threads of the screw (13). Loosely tighten the nuts (Fig. 3).



5. Place a small plain washer (14) onto each of two long pan-head screws (12). Insert the long pan-head screws up through the other two holes in the tabletop and through the corresponding holes in the leg. Place a small plain washer (14), a spring washer (15), and nut (16) on the threads of the screw (12) as shown in Fig. 4.
6. Securely tighten all fasteners with Philips screwdriver (not supplied).
7. Repeat with the other leg.

ATTACHING THE ROUTER TO THE TABLE

Attach the router to the router table after you have assembled the table.

1. Unplug the router.
2. Place the router table upright, with the front edge closest to you.
3. Be sure that the table is stable and that it rests on both legs.
4. Remove the base plate from the router and hold the router upside down (Fig. 6). If your router model is listed in Table 2, determine the hole pattern that matches the mounting hole pattern for your router, as shown in Table 2 and Fig. 5.

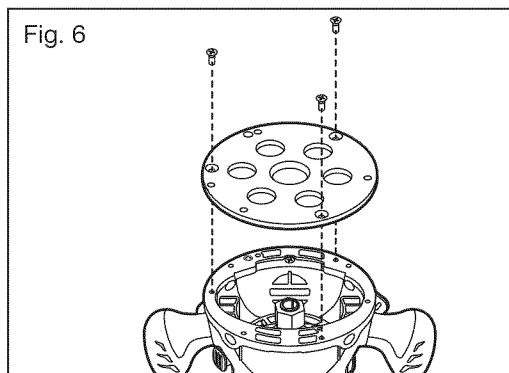
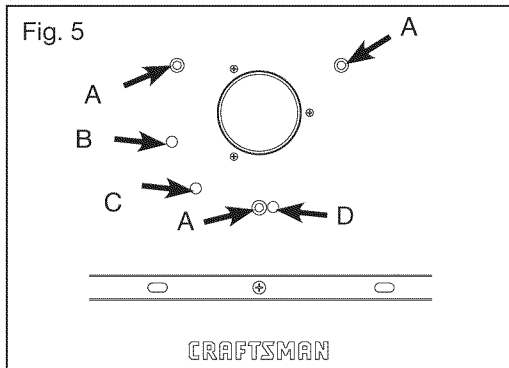
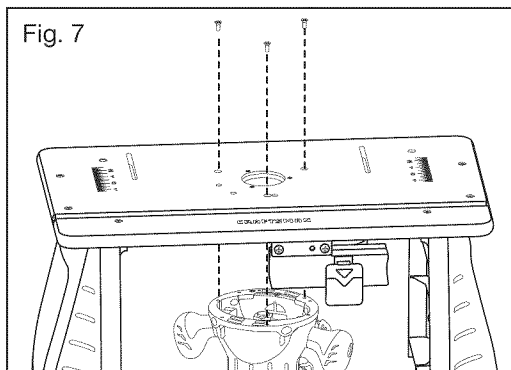


Table 2
Cutting height adjustment holes

Brand	Above-the-table height adjustment Hole	Model
Craftsman	B	28084 (using the plunge base) 27680 (using the plunge base) 27669 27666 27683 (using the plunge base)
Craftsman	C	17541 17542 37595 2767 17543 (using the fixed base)
Craftsman	D	28190 28084 (using the fixed base) 27680 (using the fixed base) 2768 27683 (using the fixed base)

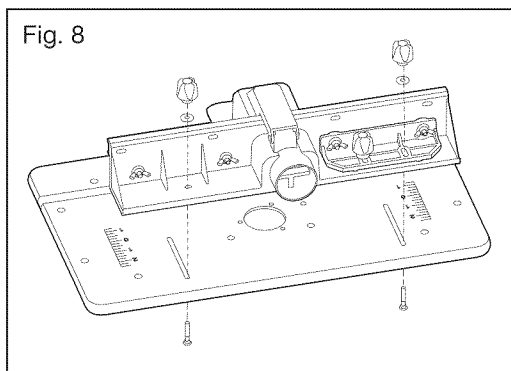
5. Align the above-the-table height adjustment hole in your Craftsman router. At the same time, align the three corresponding mounting holes A in the center of the table with the holes in the router, as shown in Fig. 7.
6. Insert 3 flat-head bolts (17) through each of the three chosen router-table holes and into the holes in the router.
7. Hold the router with one hand, and securely tighten each flat-head bolt (17) with a Philips screwdriver (not supplied) with the other hand.
8. If your router model is not listed in Table 2, it may still be installed using mounting holes A. However, over-the-table adjustment may not be accessible in this case. To mount any router, ensure that the diameter of the router sub-base does not exceed 6-7/8 in.



ATTACHING THE FENCE TO THE TABLE (Fig. 8)

WARNING: Always unplug the router before attaching or removing the fence. The fence has been shipped completely assembled.

1. Remove the two clamping knobs.
2. Place the fence assembly on the table with the four wing nuts facing toward you.
3. Align the two holes on the bottom of fence assembly with the two channels on the router table.
4. Secure the fence to the table with three clamping knobs (10), one short round-head square-neck bolt and two long round-head square-neck bolts (already attached to the fence assembly).



TO ATTACH THE MITER GAUGE (Fig. 9)

The miter gauge has been shipped completely assembled.

Attach the miter gauge to the table by placing the miter gauge bar in the slot on the table.

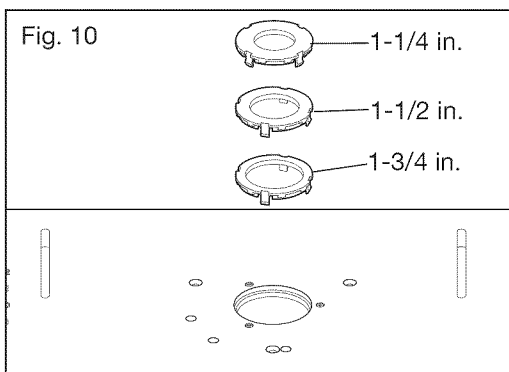
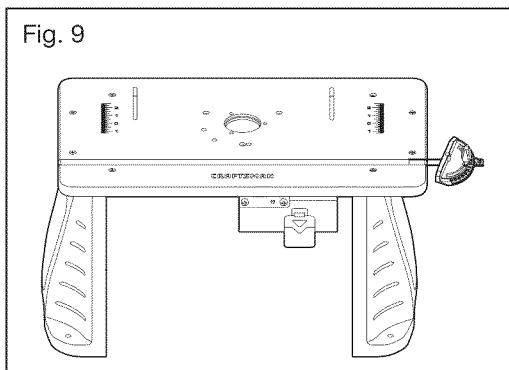
TO INSTALL TABLETOP INSERT RINGS (Fig. 10)

This router table includes three tabletop insert rings with the following hole sizes:

- 1-1/4 in. diameter, for use with bits with diameters up to 1-1/8 in.
- 1-1/2 in. diameter, for use with bits with diameters up to 1-3/8 in.
- 1-3/4 in. diameter, for use with bits with diameters up to 1-5/8 in.

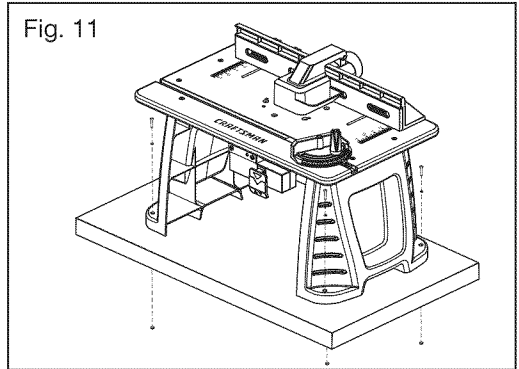
Make sure that the size of the hole is 1/8 in. larger than that of the bit.

1. Unplug and remove the router.
2. Position the tabletop insert rings over the insert opening in the router table.
3. Press the insert rings into the inset opening in the router table.
4. Press down evenly over the tabs until the insert ring locks into place.
5. To remove, pull up gently until the tabs disengage. When not in use, store tabletop inserts in a convenient place.



MOUNTING THE TABLE TO A WORK SURFACE (Fig. 11)

1. Unplug and remove the router.
2. Set the router table on a workbench or other stable and sturdy surface, with the FRONT (switch side) of the router table facing toward you.
3. While holding the router table in the desired position, mark the location of the four mounting holes (11/32 in. dia.) in each the four corners.
4. Remove the router table.
5. Drill an 11/32 in. pilot hole (for bolts) at the marked locations.
6. Place the router table on the workbench and align the mounting holes in the router table legs with the holes drilled in the workbench.
7. Secure the router table in place using nuts (not provided) and washers (not provided) to thread the bolts through the pilot holes.
8. Tighten all hardware (not supplied) securely with the corresponding tool to your hardware.



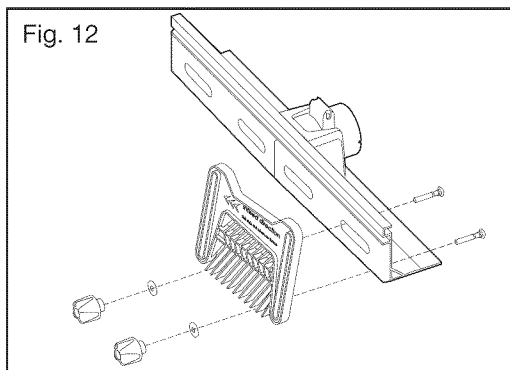
ATTACH THE FEATHERBOARDS (Fig. 12 and 13)

⚠ WARNING: Always unplug the router before attaching or removing the feather boards.

⚠ NOTICE: The front and back side of each feather board is marked to indicate proper feed direction. The direction of the arrow on the feather board must be consistent with the in-feed direction.

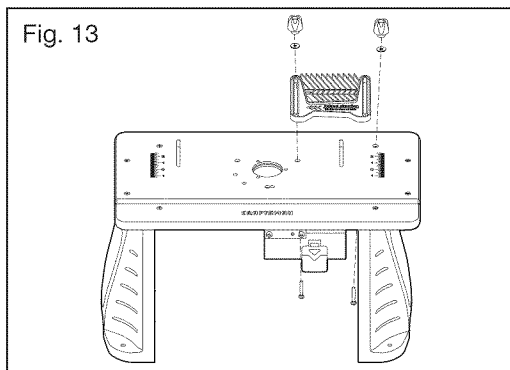
Attach the feather board to the fence

1. Place the feather board on the fence as shown in Fig. 12.
2. Insert two round-head, square-neck bolts (9) through the holes in the fence and the slots in the feather board.
3. Slide a large plain washer (11) onto each bolt (9).
4. Tighten the clamping knobs (10) to secure the feather board to the fence.



Attach the feather board to the tabletop surface

1. Place the feather board on the tabletop surface as shown in Fig. 13.
2. Insert two round-head, square-neck bolts (9) through the holes in the tabletop surface and the slots in the feather board.
3. Slide a large plain washer (11) onto each bolt (9).
4. Tighten the clamping knobs (10) to secure the feather board to the tabletop.



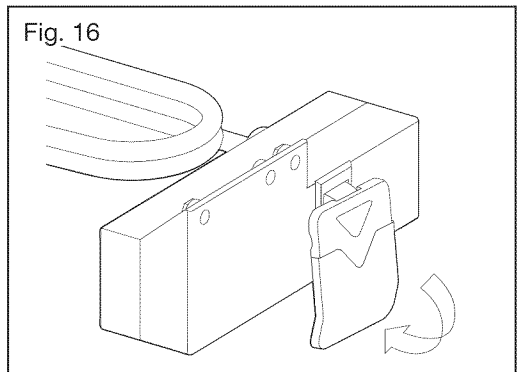
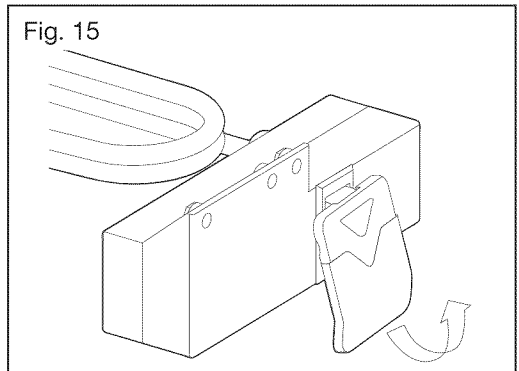
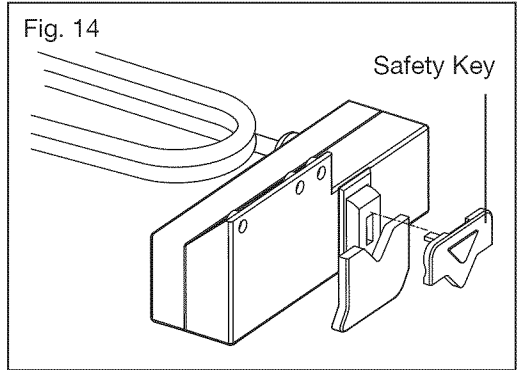
SWITCH OPERATION

The switch has a safety key to help prevent accidentally switching the router ON and to prevent unauthorized, possibly hazardous use by others.

The safety key (yellow) must be completely inserted into the switch panel (red) before the switch can be turned ON.

To operate the switch:

1. Insert the safety key into the switch (Fig.14).
2. To turn the router ON, lift up the ON/OFF switch (Fig. 15).
3. To turn the router OFF, push the ON/OFF switch down (Fig. 16).



⚠ WARNING: Never leave the router unattended while it is running or before it comes to a complete stop.

4. To lock the switch in the OFF position, push the ON/OFF switch down to turn the switch OFF, and remove the safety key from the switch panel.

Electric receptacles

Two electric receptacles are located at the back of the switch assembly (Fig. 17). Use one for plugging in the router. The other may be used to plug in a vacuum or a light (not included). Two dust shields are designed to protect the receptacles.

⚠ WARNING: To ensure safety and reliability, the total current drawn from the two units must be less than 15 Amps.

NOTICE: The diameter of the vacuum adapter in the fence assembly is 2-1/4 in. diameter; select the vacuum accordingly.

ADJUSTING THE FENCE

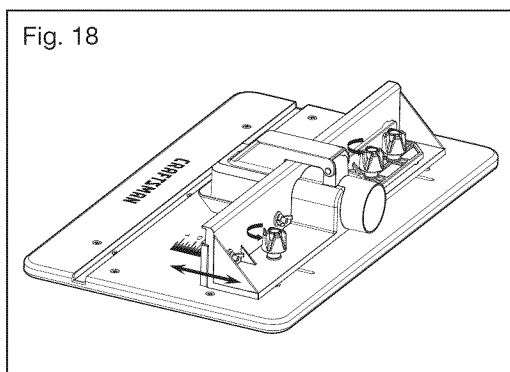
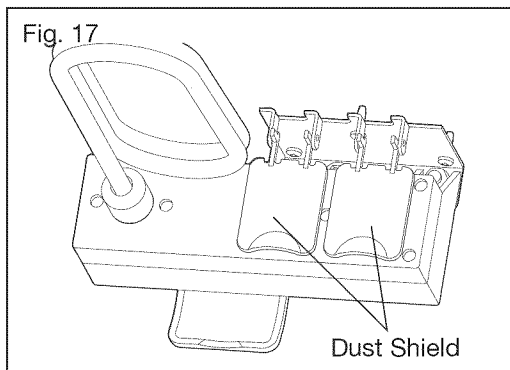
⚠ WARNING: Failure to unplug your router before performing adjustments to the router or table could result in accidental starting causing serious injury.

The fence enables you to support and guide the workpiece.

TO ADJUST THE EXTENDED FENCE FORWARD AND BACKWARD (Fig. 18)

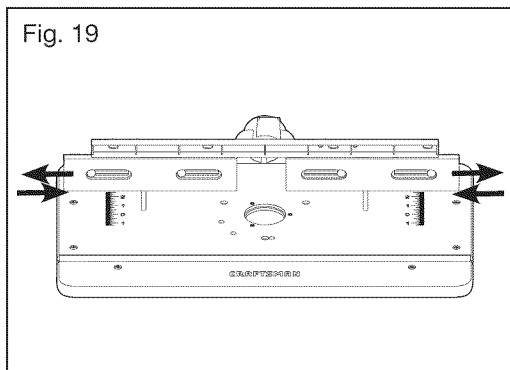
⚠ WARNING: Failure to unplug your router before performing adjustments to the router or table could result in accidental starting causing serious injury.

1. Unplug the router.
2. Loosen the two clamping knobs.
3. Move the fence forward or backward along the slots to the desired position, as shown in Fig. 18. The fence can be moved forward and backward 3-3/4 in.
4. Tighten the clamping knobs.



To laterally adjust the in-feed and out-feed fence

1. Unplug the router.
2. Loosen the four wing nuts.
3. Move the fence facings right or left to the desired position (Fig. 19). The in-feed and out-feed fence can each be adjusted 2 in. in order to lengthen the fence.
4. Tighten the wing nuts.

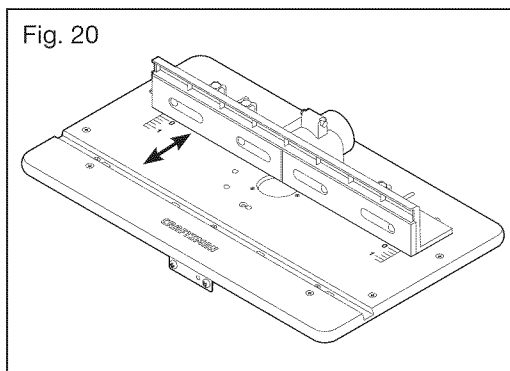


TO ADJUST THE OUT-FEED FENCE FOR JOINTING (Fig. 20)

⚠ WARNING: Failure to unplug your router before performing adjustments to the router or table could result in accidental starting causing serious injury.

For jointing operations, the out-feed fence can be adjusted as much as 9/16 in. forward of the in-feed fence to support the workpiece after it passes across the router bit.

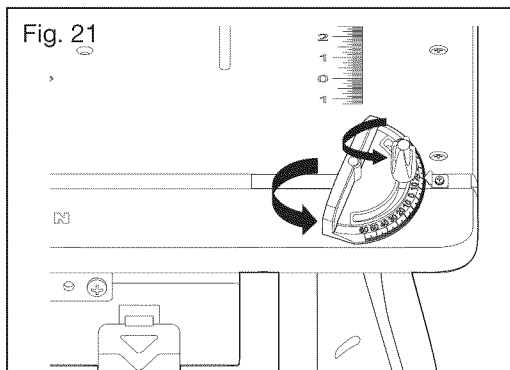
1. Unplug the router.
2. Loosen the two out-feed fence clamping knobs.
3. Move the out-feed fence forward of the in-feed fence to the width of material to be removed from the workpiece. Tighten the clamping knobs.
4. Move and clamp the entire extended fence so that the out-feed fence is aligned with the cutting edge of the bit.



ADJUSTING THE MITER GAUGE (Fig. 21)

▲ WARNING: Failure to unplug your router before performing adjustments to the router or table could result in accidental starting causing serious injury.

1. Loosen the miter gauge knob.
2. Rotate the miter gauge to the desired angle.
3. Tighten the miter gauge knob.



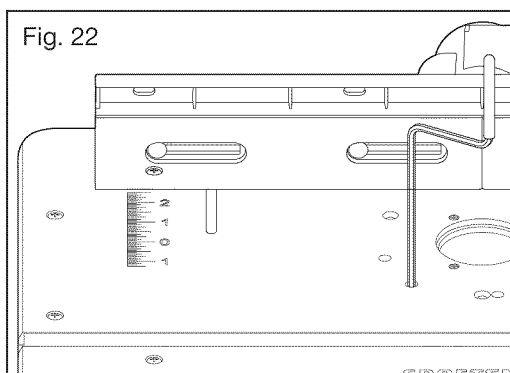
ADJUSTING THE CUTTING HEIGHT

▲ WARNING: Failure to unplug your router before performing adjustments to the router or table could result in accidental starting causing serious injury.

Select appropriate holes to adjust the router to the table according to Table 2 and Fig. 5.

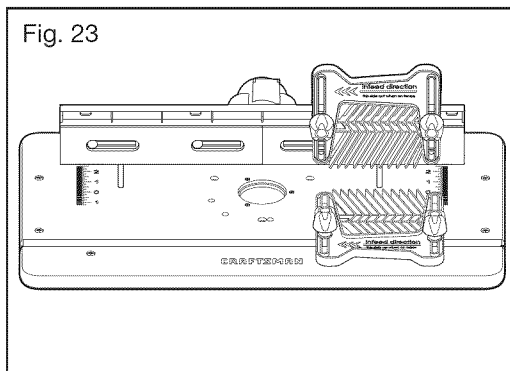
NOTICE: A hex wrench is required for this operation (not included).

1. Unplug the router.
2. Loosen the clamping lever on the router.
3. Insert the hex wrench into the adjusting hole on the tabletop (Fig. 22), and turn the router adjustment dial with the hex wrench to move the router collet down or up.
4. When the desired cutting height is set, tighten the clamping lever on the router.



USING THE FEATHER BOARDS (Fig. 23)

Feather boards are helpful in controlling the workpiece while routing and assist in keeping the workpiece flat on the tabletop. The table feather board, combined with the fence feather board, help keep the workpiece pressed against the fence and tabletop. The best location for the feather boards varies according to your application, workpiece size, and other factors.



1. Unplug the router.
2. Loosely install the feather board(s) as described on page 17-18.
3. Place the workpiece on the router table so that it is squarely against the fence.
4. Position the feather board so that the feather board is snug against the workpiece and tighten the clamping knobs.
5. The workpiece should move with some resistance but without requiring a great effort.

USING THE ROUTER WITH THE ROUTER TABLE

1. Read and understand entire Operator's Manual for the router.
2. Always plug the router into the switched outlet in the router table. Never plug a router-table-mounted router into another power source.
3. Make sure that the router-table switch is off. Lock-on the router switch.
4. Plug the router-table cord into a power source.
5. Turn on the power to the router table by lifting the ON/OFF switch.
6. Always control the power to the router with the router-table switch whenever the router is mounted on the table.

ROUTING OPERATION

1. Read and understand entire Operator's Manual for the router.
2. Adjust the fence to support the workpiece to be cut.

NOTICE: The workpiece must always be held tight against the fence.

3. Reconfirm that all router adjustments are securely locked before supplying power to the router.
4. Note that the direction of rotation of the router mounted to a router table is counterclockwise. Feed the the workpiece from right to left.

⚠ WARNING: The direction of feed for the workpiece is always against the sharp edges of the cutter and into the rotation of the cutter (the cutter rotation is counterclockwise when the router is installed in a router table). Failure to follow this rule can result in serious personal injury.

MAINTENANCE

GENERAL MAINTENANCE

⚠ WARNING: Avoid using solvents when cleaning plastic parts. Most plastics are susceptible to damage from various types of commercial solvents and may be damaged by their use. Use clean cloths to remove dirt, dust, oil, grease, etc.

⚠ WARNING: Do not at any time allow brake fluids, gasoline, petroleum-based products, penetrating oils, etc. to come in contact with plastic parts. Chemicals can damage, weaken or destroy plastic which may result in serious personal injury.

⚠ WARNING: When servicing, use only identical replacement parts. Use of any other parts may create a hazard or cause product damage. To ensure safety and reliability, all repairs should be performed by a qualified service technician.

TROUBLE SHOOTING

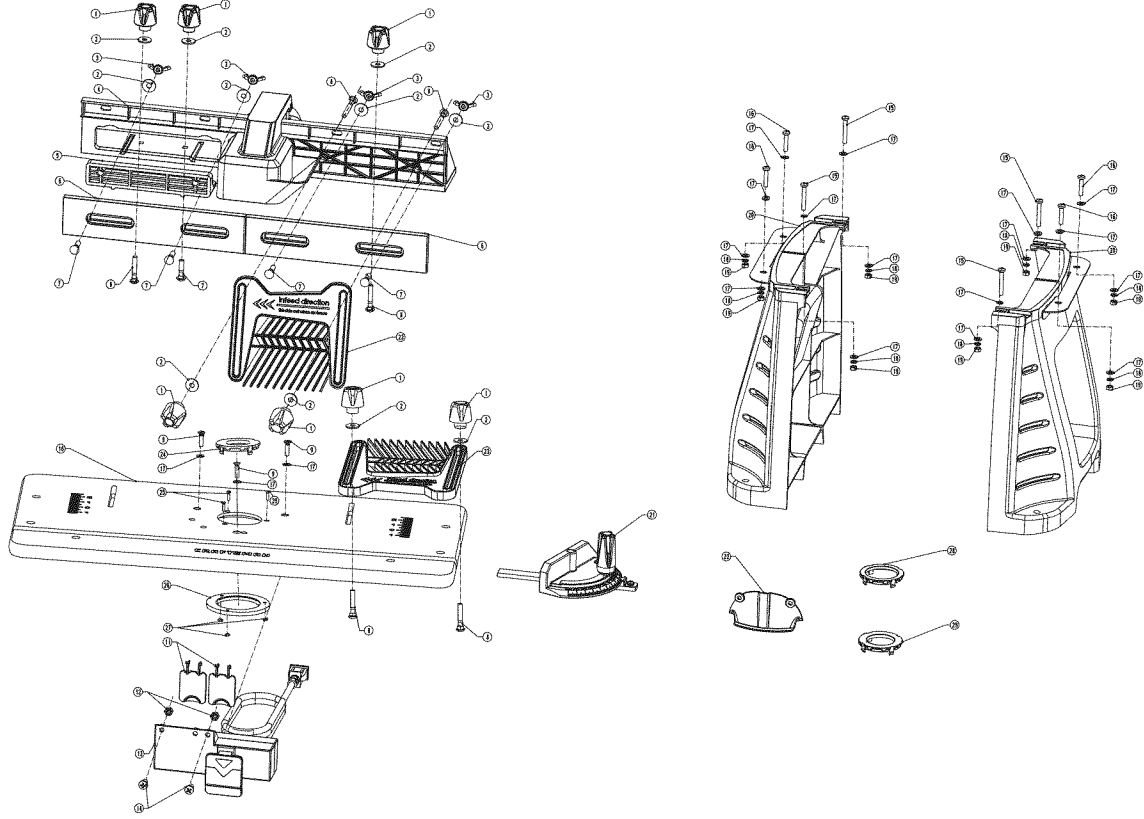
PROBLEM	CAUSE	SOLUTION
The router does not work	The router is not plugged into the table outlet	Insert router power cord plug into a table outlet
	The router table cord is not connected to a power source	Plug the router table cord into a power source
	The router table switch is in "OFF" position	Insert key and pull the switch to the ON position
The table surface is not flat	Legs are not properly assembled	Check assembly directions and securely tighten all fasteners
The router cannot be attached to the table	Sub-base is too large	Use a sub-base 6-7/8 in. diameter or less

PARTS LIST

Router Table MODEL NUMBER 320.37599

The Model Number will be found on the Nameplate attached to the switch box. Always mention the Model Number when ordering parts for this tool.

To order parts, call 1-800-469-4663.



PARTS LIST

Router Table MODEL NUMBER 320.37599

The Model Number will be found on the Nameplate attached to the switch box. Always mention the Model Number when ordering parts for this tool.

To order parts, call 1-800-469-4663.

No	Part No	Part Name	QTY
1	3402187000	Fence Knob	3
2	5650017000	Plain Washer	7
3	5630056000	Wing Nut	4
4	2822298000	Fence Assembly	1
5	3123408000	Adjusting Base	1
6	3123237000	Scaleboard	2
7	5640017000	Square Neck Bolt	5
8	5640168000	Square Neck Bolt	6
9	5620075000	Screw	3
10	2822371000	Main Table Assembly	1
11	3123547000	Dust Cover	2
12	5630015000	Prevailing Torque Hexagon Nut	2
13	2822230000	Switch Box Assembly	1
14	5620369000	Screw	2
15	5620372000	Screw	4
16	5620052000	Screw	4
17	5650013000	Plain Washer	23
18	5650015000	Spring Washer	8
19	5630003000	Hexagon Nut	8
20	2822372000	Support Assembly	2
21	2822231000	Miter Gauge Assembly	1
22	3123550000	Dust Cover	1
23	3127096000	Feather Board	2
24	3127097000	Table Top Insert	1

No	Part No	Part Name	QTY
25	5620065000	Screw	3
26	3127112000	Connecting Piece	1
27	5630189000	Hexagon Nut	3
28	3127098000	Table Top Insert	1
29	3127099000	Table Top Insert	1